

How to Order



Remote Type Sensor Unit **PFW5** **20** — **03** □ □ □

● **Flow rate range**

04	0.5 to 4 /min
20	2 to 16 /min
40	5 to 40 /min
11	10 to 100 /min

● **Thread type**

Nil	Rc
N	NPT
F	G

● **Output specification**

Nil	Pulse output (sensor output) only
1	Pulse output + 1 to 5V
2	Pulse output + 4 to 20mA

● **Wiring specification**

Nil	Lead wire with connector
N	Without lead wire

● **Port size**

Symbol	Port size	Flow rate (/min)				Applicable models
		4	16	40	100	
03	3/8	●	●			PFW504, PFW520
04	1/2		●	●		PFW520, PFW540
06	3/4			●	●	PFW540, PFW511
10	1				●	PFW511

Specifications

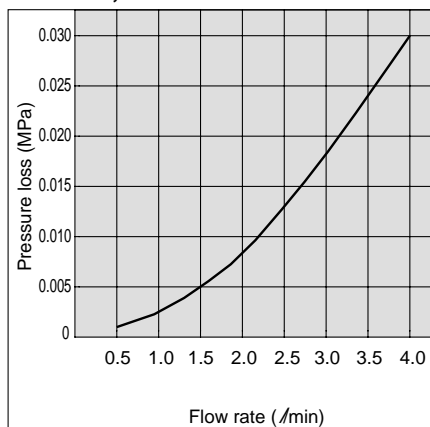
Model	PFW504	PFW520	PFW540	PFW511
Measured fluid	Water			
Detection type	Karman vortex			
Flow rate measurement range	0.5 to 4 /min	2 to 16 /min	5 to 40 /min	10 to 100 /min
Operating pressure range	0 to 1MPa			
Withstand pressure	1.5MPa			
Operating temperature range	0° to 50°C (with no condensation)			
Linearity ^{Note 1)}	±5% F.S. or less			±3% F.S. or less
Repeatability	±2% F.S. or less			±1% F.S. or less
Temperature characteristics	±5% F.S. or less (0° to 50°C)			±2% F.S. or less (15° to 35°C) ±3% F.S. or less (0° to 50°C)
Power supply voltage	12 to 24VDC (ripple ±10% or less)			
Current consumption	20mA or less			
Weight ^{Note 2)}	410g (without lead wire)	470g (without lead wire)	650g (without lead wire)	1,100g (without lead wire)
Enclosure	IP65			
Port size (Rc, NPT, G)	3/8	3/8, 1/2	1/2, 3/4	3/4, 1
Analog output specifications	Voltage output	Output voltage: 1 to 5V; Load impedance: 100kΩ or more		
	Current output	Current output: 4 to 20mA; Load impedance: 300Ω or less		

Note 1) The system accuracy when combined with PFW3□□.

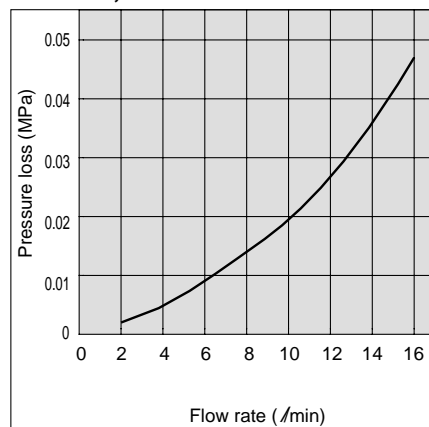
Note 2) Sensor unit with analog output (PFW5□□-□□-1, -2) is 20g heavier.

Flow Characteristics (Pressure Loss)

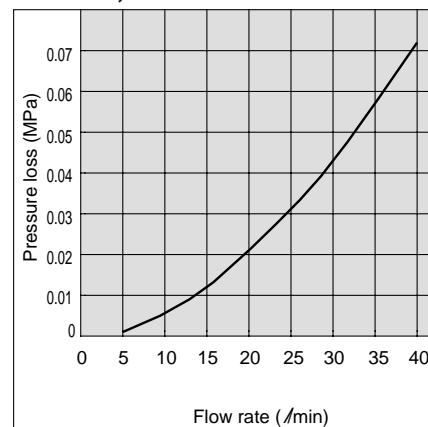
PFW704, PFW504



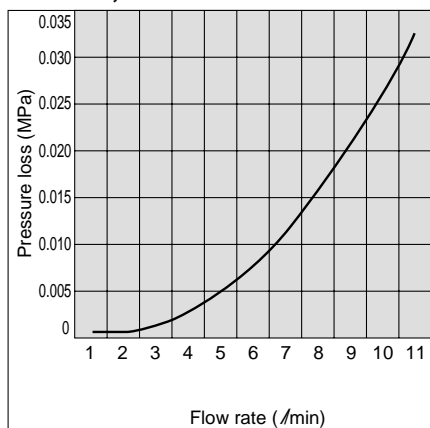
PFW720, PFW520



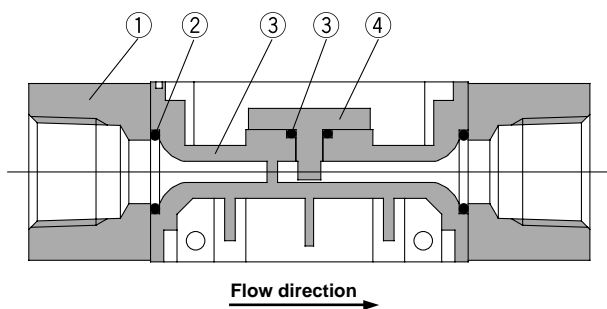
PFW740, PFW540



PFW711, PFW511



Sensor Unit Construction



Parts list

No.	Description	Material
1	Attachment	Class 303 stainless steel ^{Note)}
2	Seal	NBR
3	Body	PPS
4	Sensor	PPS

Note) Attachment material for PFW711 and PFW511 is class 304 stainless steel.

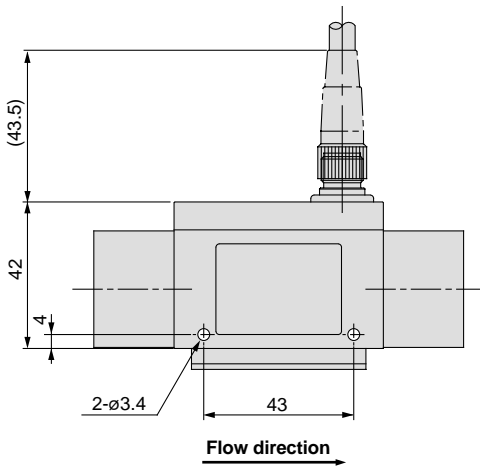
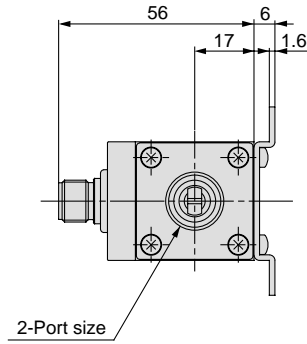
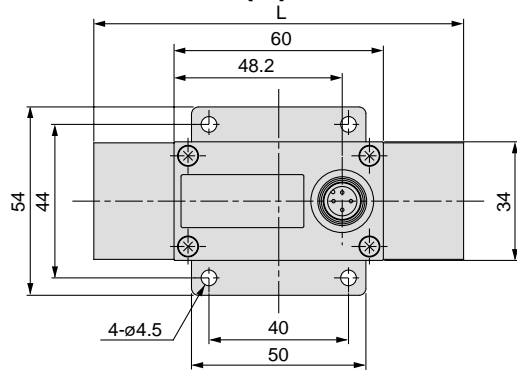


Error correction, connectors, operating part descriptions, and flow rate setting are the same as series PFA for air. Refer to pages 1 through 7.

Series PFW

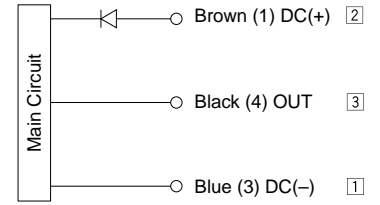
Dimensions: Remote Type Sensor Unit for Water

PFW504, PFW520-□(N)



Model	L dimension
PFW504	100
PFW520	106

Wiring

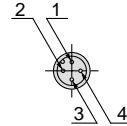


* Use this sensor by connecting to SMC remote type display unit Series PFW3□□.

(1), (3), and (4) are connector pin numbers.

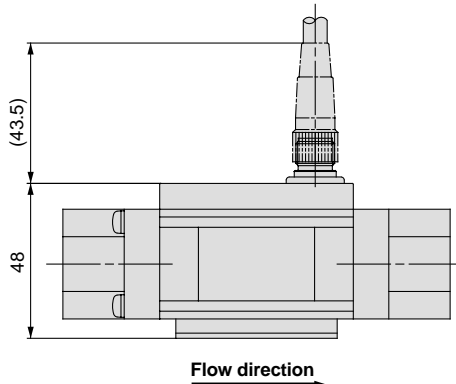
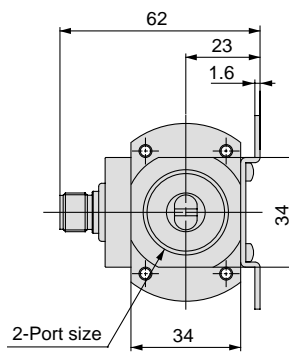
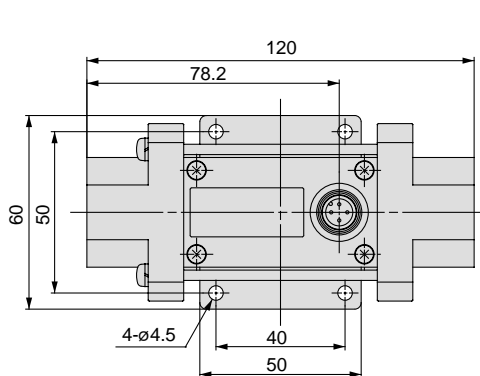
[1], [2], [3] and [4] are terminal numbers for Series PFW3□□.

Connector pin numbers



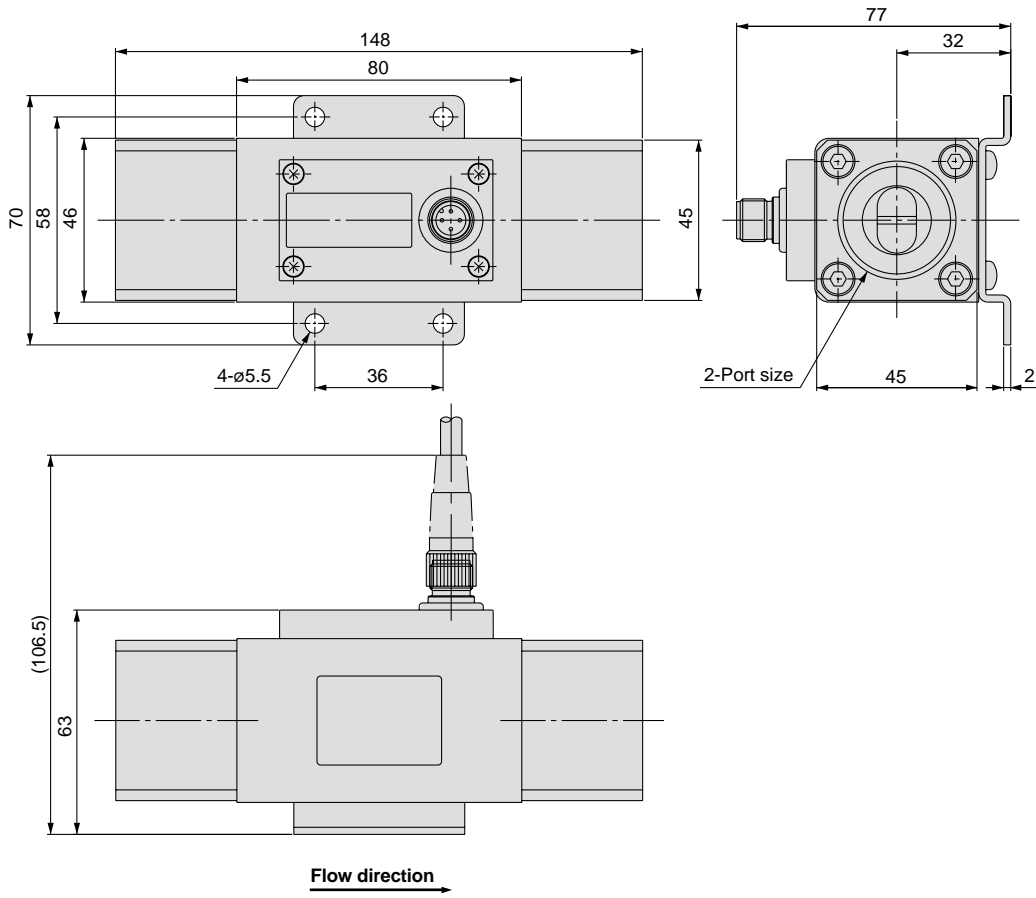
Pin no.	Pin description
1	DC(+)
2	NC
3	DC(-)
4	OUT

PFW540-□(N)



Dimensions: Remote Type Sensor Unit for Water

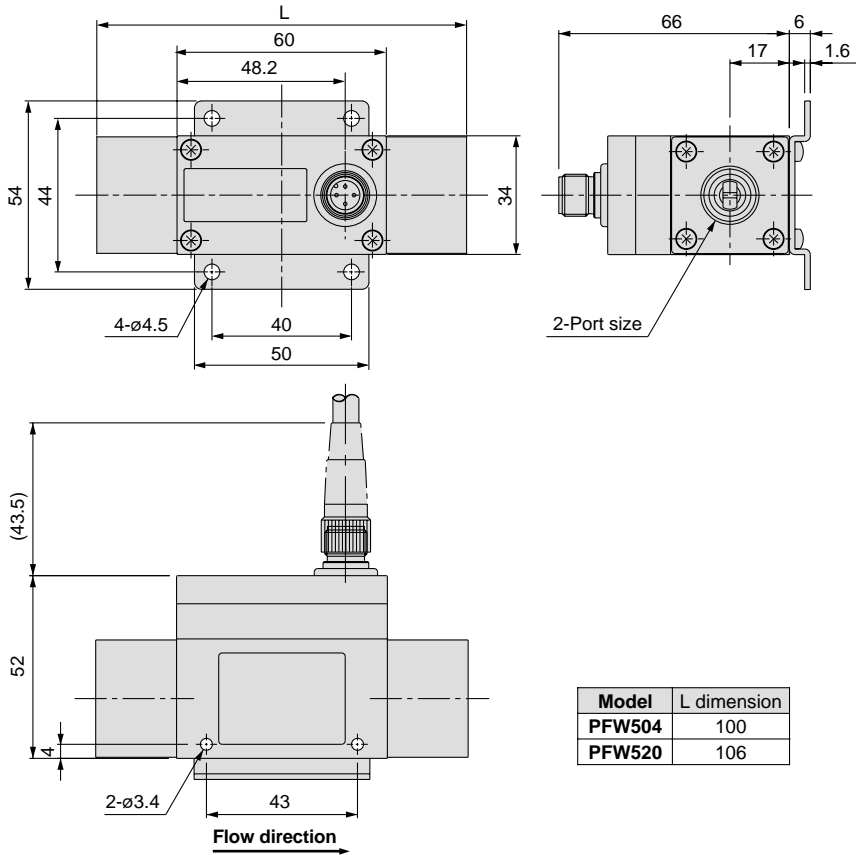
PFW511-□(N)



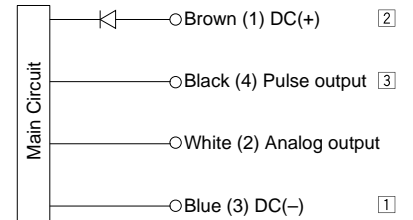
Series PFW

Dimensions: Remote Type Sensor Unit for Water

PFW504, PFW520-□(N)- $\frac{1}{2}$: Analog output

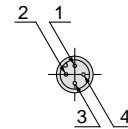


Wiring



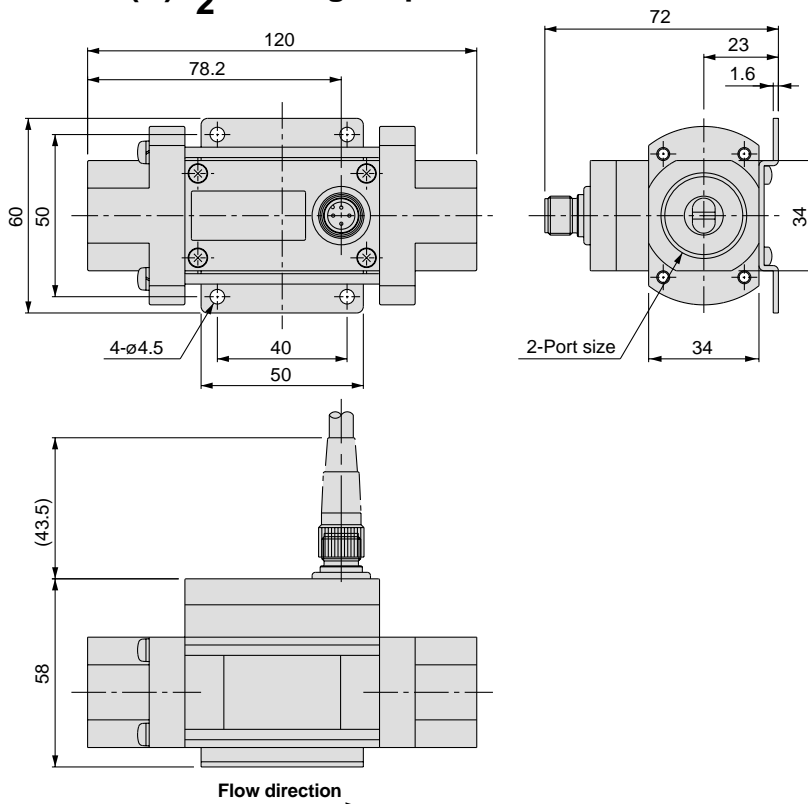
* Use this sensor by connecting to SMC remote type display unit Series PFW3□□.
 (1), (2), (3), and (4) are connector pin numbers.
 ①, ②, and ③ are terminal numbers for Series PFW3□□.

Connector pin numbers



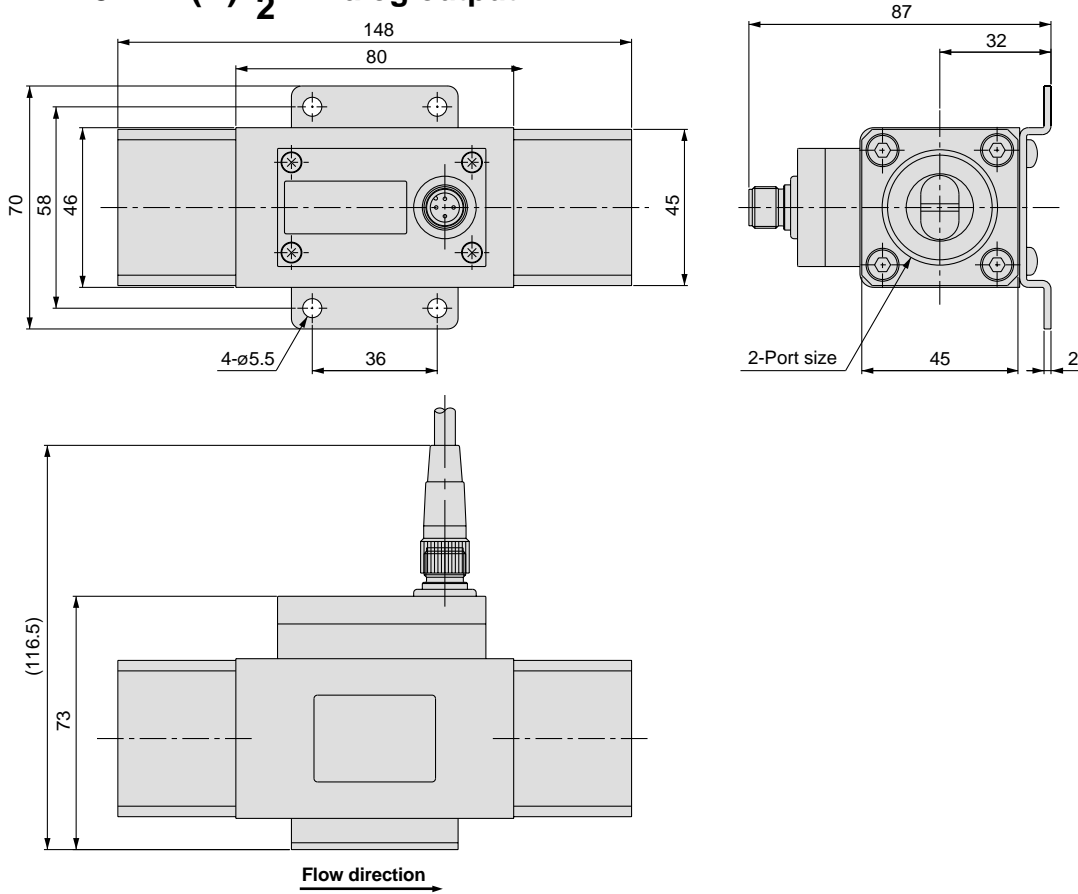
Pin no.	Pin description
1	DC(+)
2	Analog output
3	DC(-)
4	OUT

PFW540-□(N)- $\frac{1}{2}$: Analog output

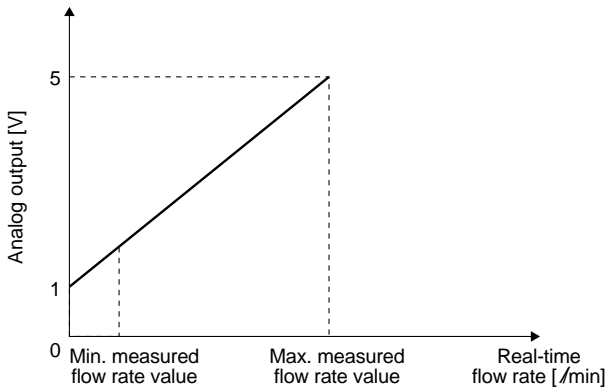


Dimensions: Remote Type Sensor Unit for Water

PFW511-□(N)- $\frac{1}{2}$: Analog output

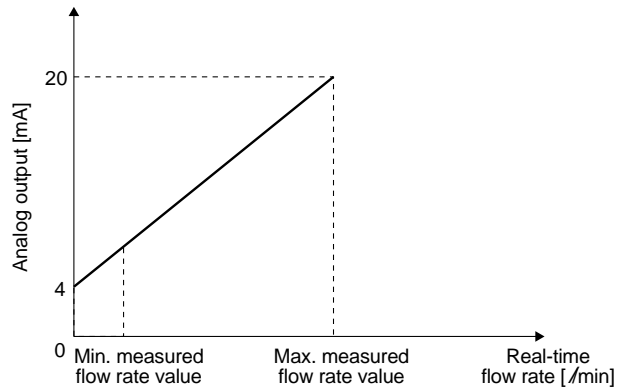


**Analog output
1 to 5VDC**



Part no.	Minimum measured flow rate value [L/min]	Maximum measured flow rate value [L/min]
PFW504-□-1	0.5	4
PFW520-□-1	2	16
PFW540-□-1	5	40
PFW511-□-1	10	100

4 to 20mADC



Part no.	Minimum measured flow rate value [L/min]	Maximum measured flow rate value [L/min]
PFW504-□-2	0.5	4
PFW520-□-2	2	16
PFW540-□-2	5	40
PFW511-□-2	10	100