

## How to Order

Remote Type  
Display Unit

PFW5 **20** T — **03** —

● Flow rate range

04	0.5 to 4 /min
20	2 to 16 /min
40	5 to 40 /min

● Temperature range

T	0° to 90°C
---	------------

● Thread type

Nil	Rc
N	NPT
F	G

● Output specification

Nil	Pulse output (Sensor output) only
1	Pulse output + 1 to 5V
2	Pulse output + 4 to 20mA

● Wiring specification

Nil	3m lead wire with connector
N	Without lead wire

● Port size

Symbol	Port size	Flow rate (/min)			Applicable models
		4	16	40	
03	3/8	●	●		PFW504T, PFW520T
04	1/2		●	●	PFW520T, PFW540T
06	3/4			●	PFW540T



## Specifications

Model		PFW504T	PFW520T	PFW540T
Measured fluid		Water		
Detection type		Karman vortex		
Flow rate measurement range		0.5 to 4 /min	2 to 16 /min	5 to 40 /min
Operating pressure range		0 to 1MPa		
Proof pressure		1.5MPa		
Operating Temperature range	Fluid temperature	0° to 90°C (with no cavitation)		
	Ambient temperature	0° to 50°C (with no condensation)		
Linearity <small>Note 1)</small>		±5% F.S. or less		
Repeatability		±2% F.S. or less		
Temperature characteristics		±5% F.S. or less		
Power supply voltage		12 to 24VDC (ripple ±10% or less)		
Current consumption		20mA or less		
Weight <small>Note 2)</small>		660g (without lead wire)		
Enclosure		IP65		
Port size (Rc, NPT, G)		3/8	3/8, 1/2	1/2, 3/4
Analog output specifications	Voltage output	Output voltage: 1 to 5V; Load impedance 100kΩ or more		
	Current output	Current output: 4 to 20mA; Load impedance 300Ω or less		

Note 1) The system accuracy when combined with PFW3□□.

Note 2) Sensor unit with analog output (PFW5□□-□□-1, -2) is 20g heavier.

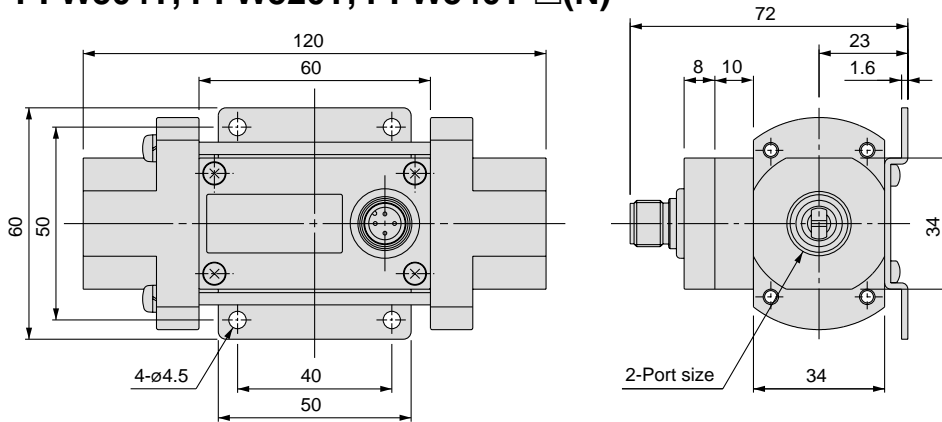


Display units are the same as those of remote type digital flow switch for water (series PFW3□□). Refer to page 21 for details.

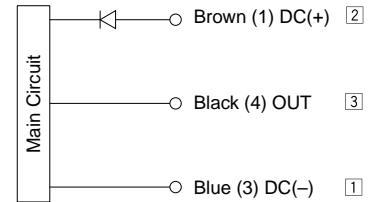
# Series PFW

## Dimensions: Remote Type Sensor Unit for Water

### PFW504T, PFW520T, PFW540T-□(N)



### Wiring

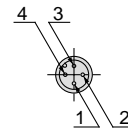


\* Use this sensor by connecting to SMC remote type display unit Series PFW3□□.

(1), (3), and (4) are connector pin numbers.

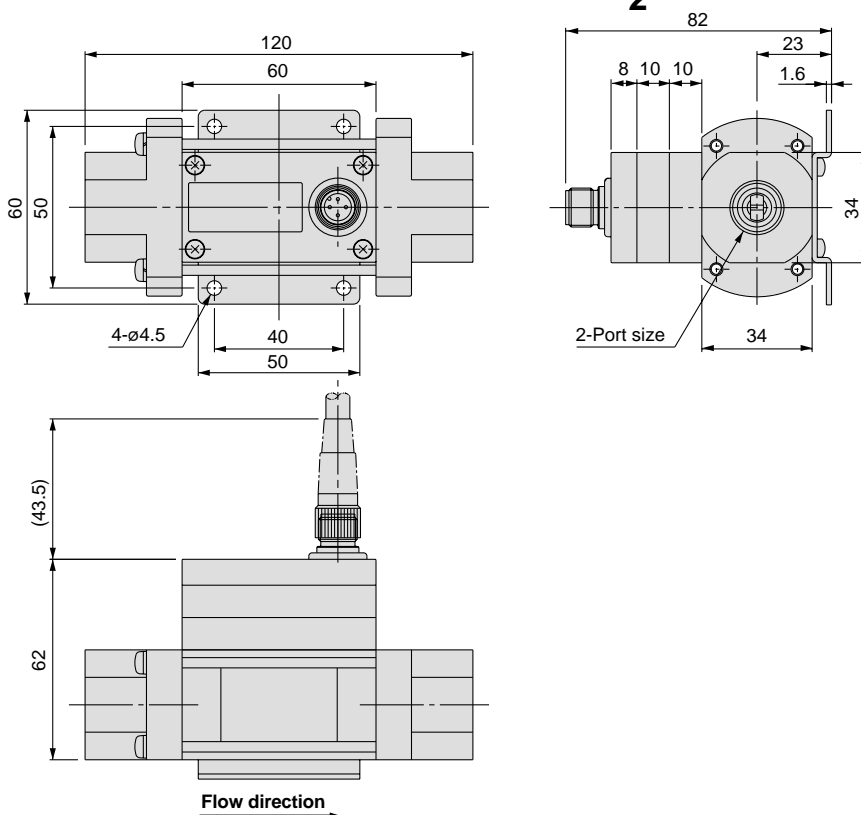
①, ②, and ③ are terminal numbers for Series PFW3□□.

### Connector pin numbers

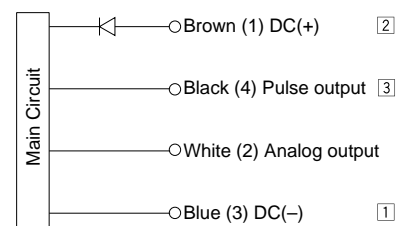


Pin no.	Pin description
1	DC(+)
2	NC
3	DC(-)
4	OUT

### PFW504T, PFW520T, PFW540T-□(N)- $\frac{1}{2}$ : Analog output



### Wiring

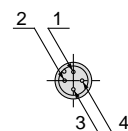


\* Use this sensor by connecting to SMC remote type display unit Series PFW3□□.

(1), (2), (3), and (4) are connector pin numbers.

①, ②, and ③ are terminal numbers for Series PFW3□□.

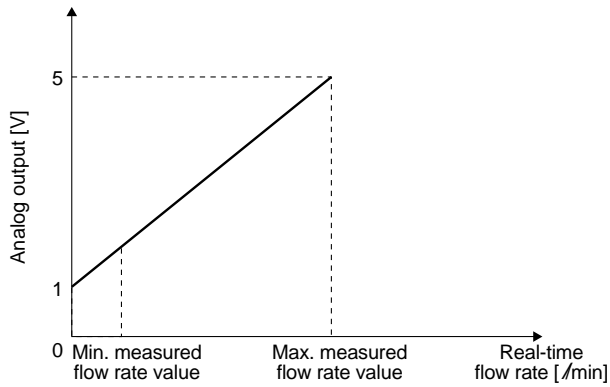
### Connector pin numbers



Pin no.	Pin description
1	DC(+)
2	Analog output
3	DC(-)
4	OUT

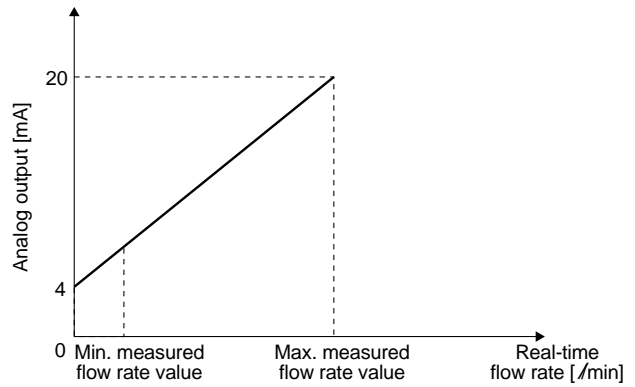
## Remote type Sensor Unit for water

Analog output  
1 to 5VDC



Part no.	Minimum measured flow rate value [/min]	Maximum measured flow rate value [/min]
PFW504T-□-1	0.5	4
PFW520T-□-1	2	16
PFW540T-□-1	5	40

4 to 20mADC



Part no.	Minimum measured flow rate value [/min]	Maximum measured flow rate value [/min]
PFW504T-□-2	0.5	4
PFW520T-□-2	2	16
PFW540T-□-2	5	40



Refer to PFW3□□ on page 30 for dimensions of remote type display unit.