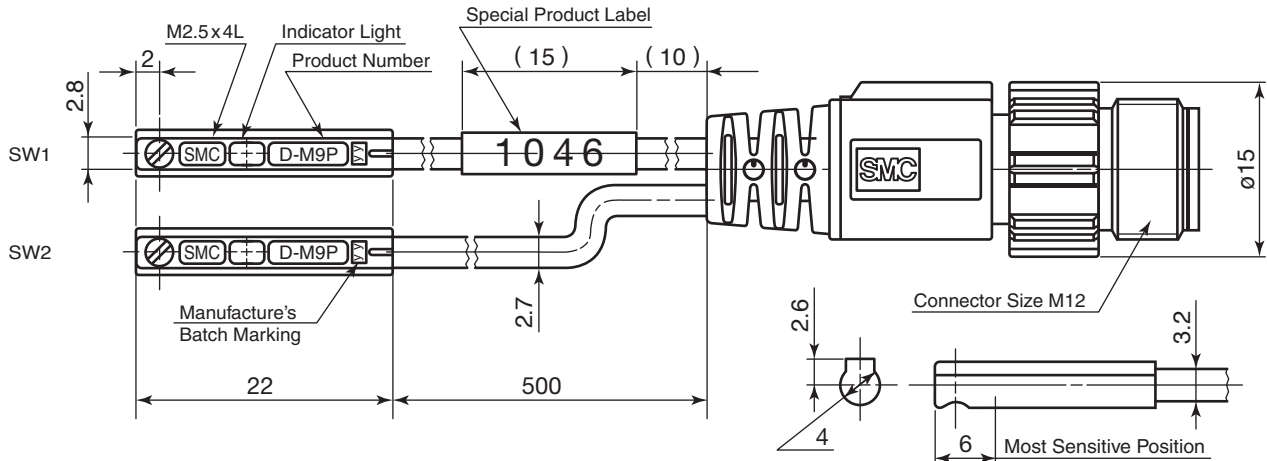




## D-M9P-1046 | Solid State Auto Switch

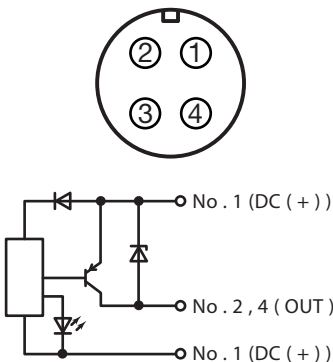
### Dual Auto Switch with a Single Connector



#### Pin Assignment

Wiring	Pin no.	
	SW1	SW2
DC( + )	1	1
OUT	4	2
DC( - )	3	3

#### Connector Pin Assignment



#### Note

1. Application actuator model and assembly points are same as D-M9P

#### Specifications



Auto Switch Model	D-M9P-1046
Applicable Load	IC Circuit • Relay • PLC
Power Supply Voltage	4.5 to 28VDC
Current Consumption	10mA or less
Load Voltage	-
Load Current	40ma or less
Internal Voltage Drop	0.8V or less at 10ma (2V or less at 40mA)
Leakage Current	100 $\mu$ A or less
Operating Time	1ms or less at 24VDC
Indicator Light	Red LED illuminates when turned on
Electrical Entry	Grommet
Lead Wire	Vinyl sheath cord 2.7mm x 3.2mm oval
Impact Resistance	Switch 1000m/s <sup>2</sup> Connector 300m/s <sup>2</sup>
Enclosure	IP67 at the connecting condition
Insulation Resistance	50M $\Omega$ or more under the test voltage 500VDC (Between case and cable)
Withstand Voltage	1000VAC 1min (Between case and cable)
Ambient Temperature	14 to 140°F (-10 to 60°C)

#### Special Specifications

1. With M12-4 pin A-coded (normal key) plug.
2. Lead wire of D-M9P (2 pieces) is incorporated.
3. Marktube is fixed by the thermal contraction. (SW1 printing : 1046)
4. Lead wire length : 500mm.
5. ROHS Compliant Product.