

 Contact our sales office regarding a delivery date or price since this is a special model.

SP142X-003E  
RP : SX

 *P.G.Information (Specialized Product)*

SMC Corporation  
4-14-1, SOTO-KANDA,  
CHIYODA-KU,  
TOKYO 101-0021, JAPAN  
URL: <http://www.smcworld.com>

## MWP series Air press cylinder

### Compact with high pressing force

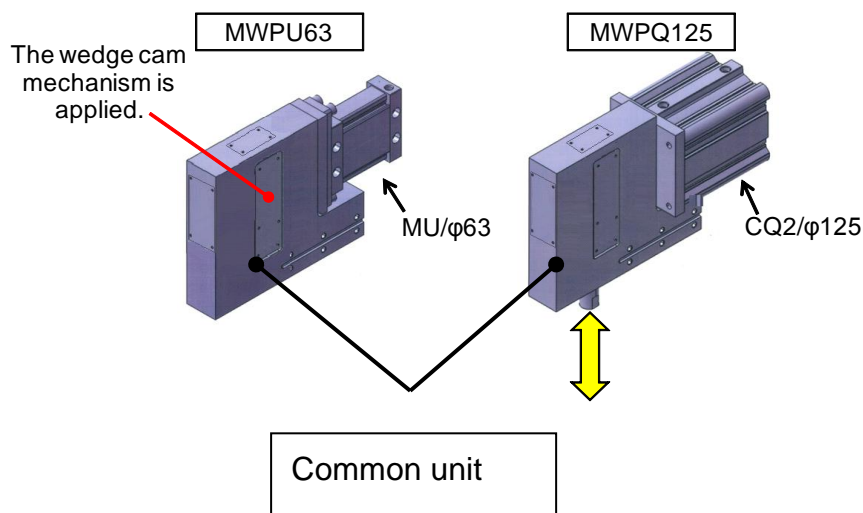
Max. press weight: 3t !

(For  $\phi 125$ )

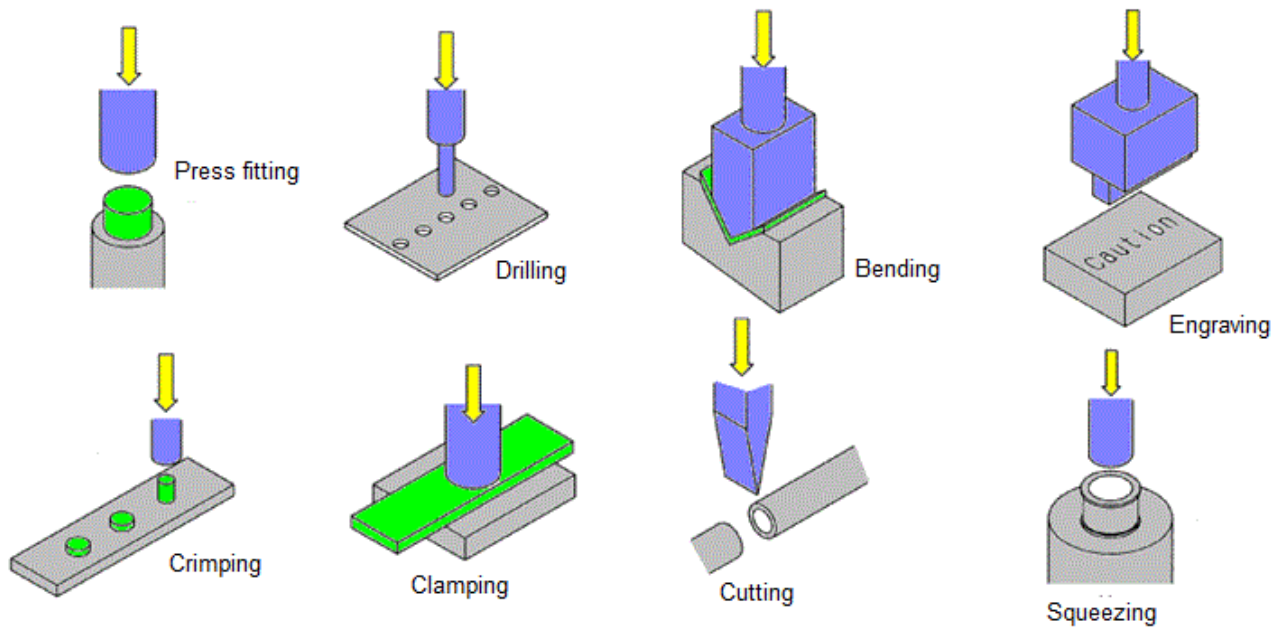


### Features

1. The wedge cam mechanism allows for approx. 6 times the pressing force of the cylinders from the beginning of the stroke movement.  
(Increased pressing force can be stably output in 5mm from the beginning of the stroke movement).
2. Auto switch mountable  
(Auto switches compatible with the standard product, such as D-M9\*, D-A9\*, D-P3DW\*, can be mounted).
3. Changeable output specifications with driving cylinder change  
(Common specifications in increased force unit)
4. Air consumption decreased by half and width decreased by 60% compared to the cylinders with equal output.

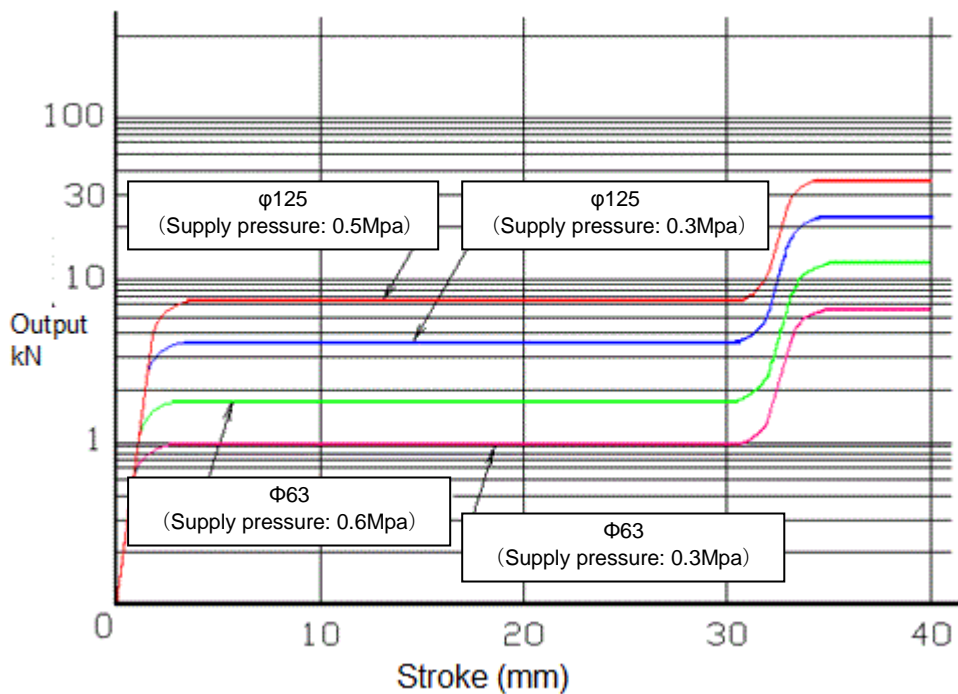


# Applications

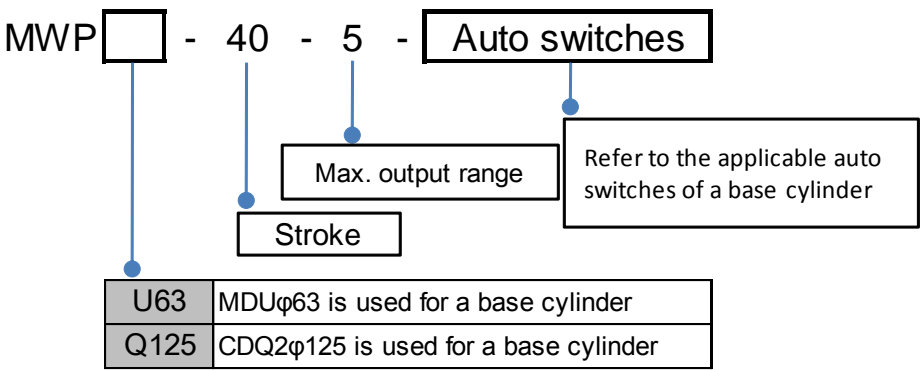


# Specifications

Model	MWPU63	MWPQ125
Output	1t (at 0.6MPa)	3t (at 0.5MPa)
Weight	16kg	20kg
Rod end deflection accuracy	±0.1mm or less	
Non-rotating accuracy	±0.3° or less	
Auto switch	Can be mounted	

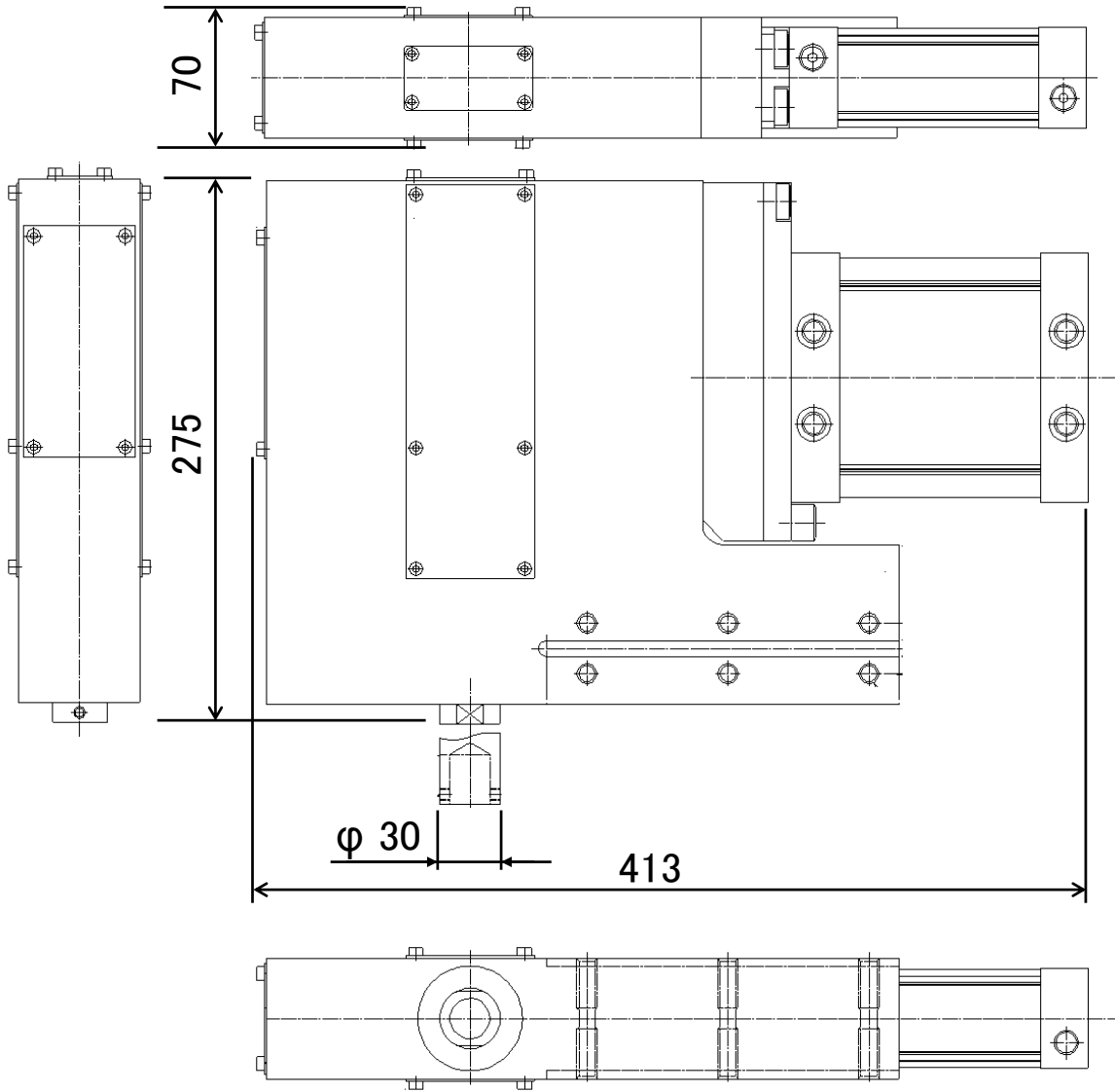


# How to Order

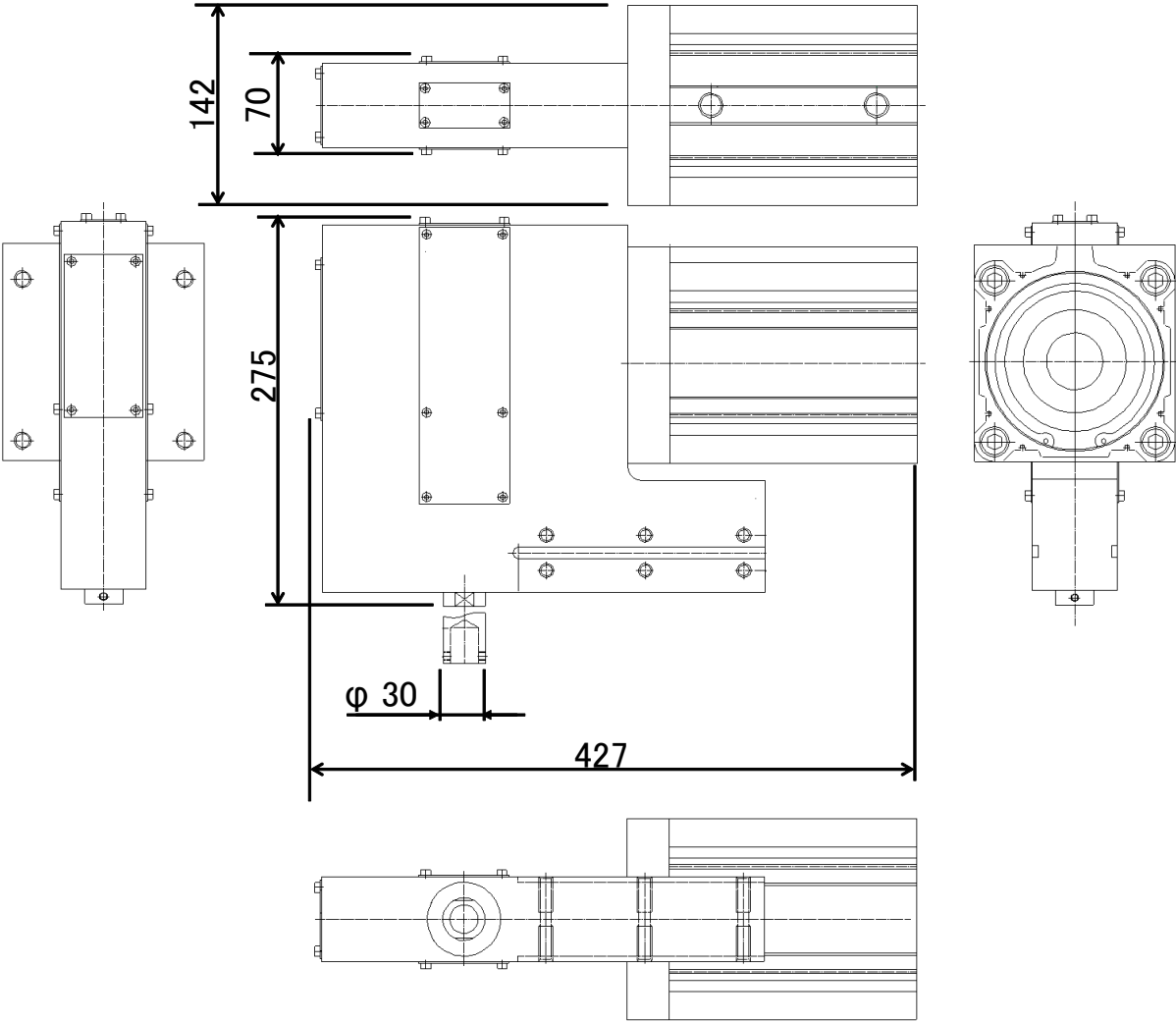


# Dimensions


## Dimensions of MWPU63



**Dimensions of MWPQ125**



The above specifications and dimensions are a guide. Product can be suggested depending on your product specifications. Please contact our sales representatives.

 Caution: To ensure the safest possible operation of this product, please be sure to thoroughly read the "Safety Instructions" in our "Best Pneumatics" catalog before use.