

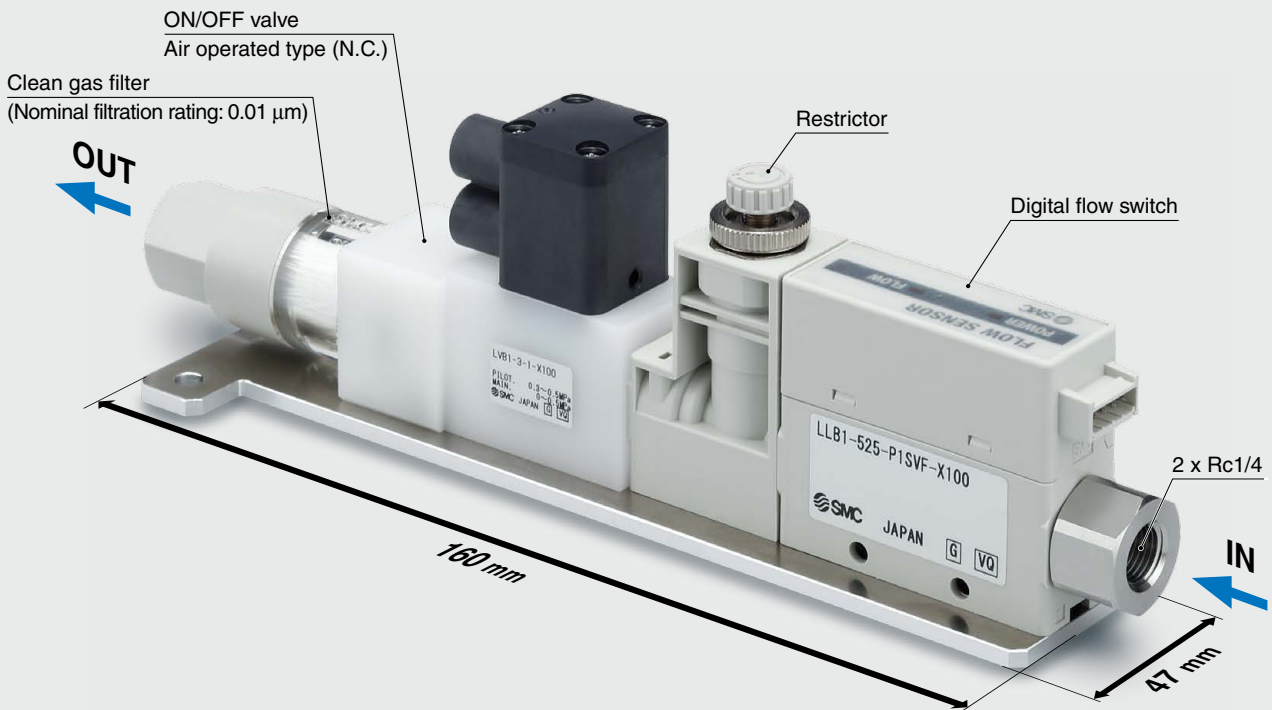
Clean Air Module

LLB1-X100

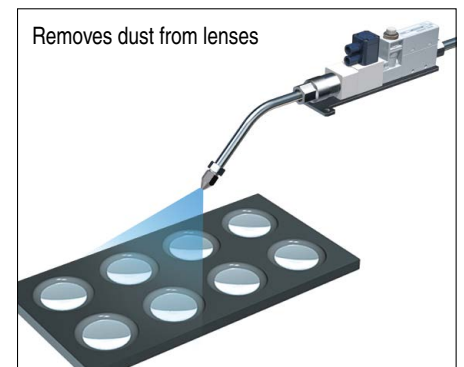
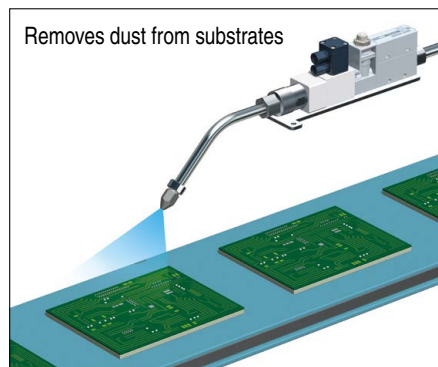
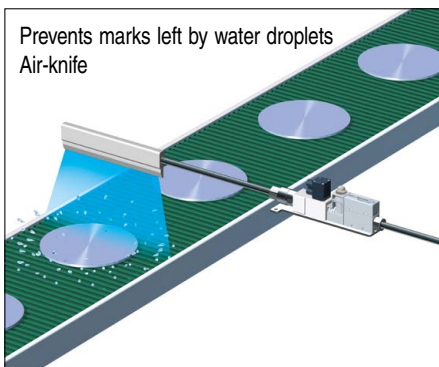
Features

The integrated unit has many new features:

- Compact with reduced installation labor
- Can perform the clean air blow of small workpieces with a flow rate of up to 100 L/min



Applications For the clean air blow of small workpieces



Caution

To ensure the safest possible operation of this product, please be sure to thoroughly read the "Safety Instructions" in our "Best Pneumatics" catalog before use.

How to Order

LLB1 - **5** **25** - **P1** **S** **V** **F** - X100

Digital flow switch

5	Remote type: PFM5
7	Integrated type: PFM7

Flow rate range

25	0.5 to 25 L/min
50	1 to 50 L/min
11	2 to 100 L/min

Flow switch (Output specifications)

P1	Analog output (1 to 5 V)
P2	Analog output (4 to 20 mA)
P3	NPN + Analog (1 to 5 V)
P4	PNP + Analog (1 to 5 V)
P5	NPN open collector 2 outputs
P6	PNP open collector 2 outputs
P7	NPN + Analog (4 to 20 mA)
P8	PNP + Analog (4 to 20 mA)

* P1, P2: Digital flow switch: PFM5□□
P3 to P8: Digital flow switch: PFM7□□

Filter

ON/OFF valve (N.C.)

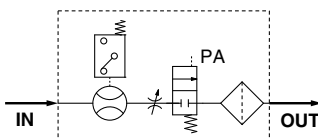
Restrictor

Flow switch option

Nil	With lead wire with connector (2 m)
Z	Without lead wire with connector (2 m)

Specifications

Symbol



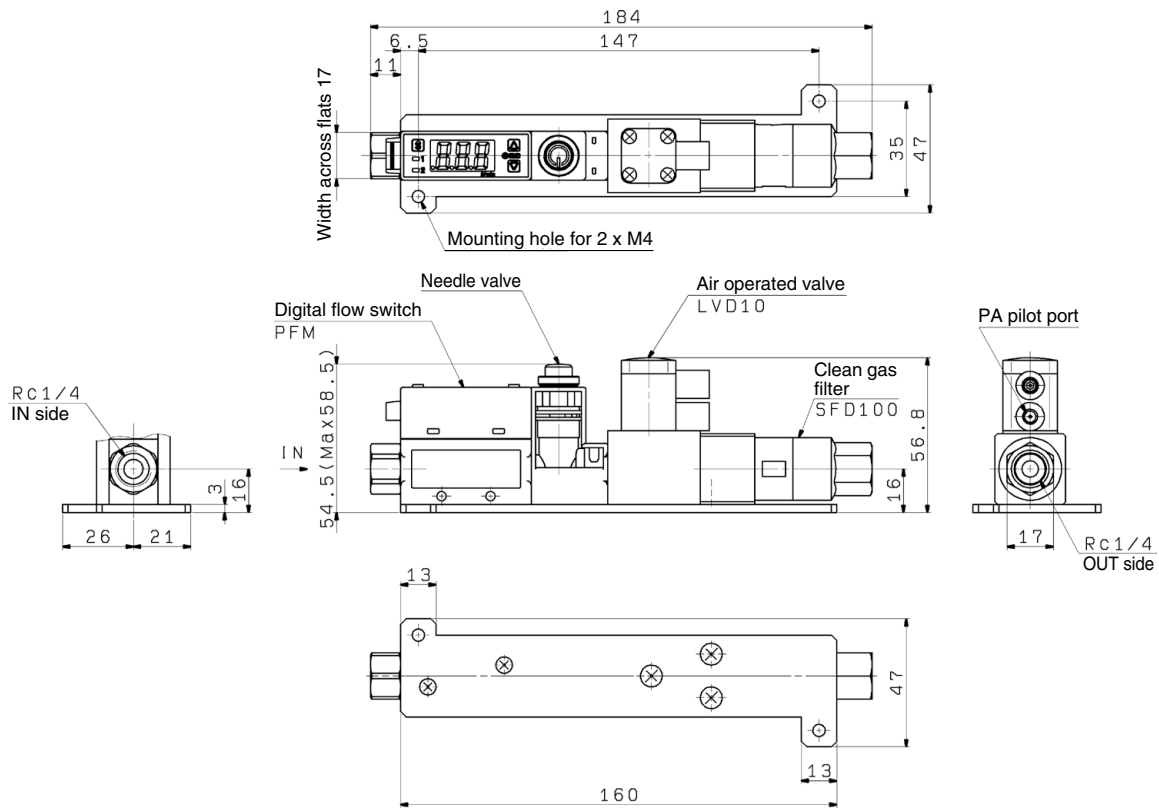
Clean Air Module Common Specifications

Model		LLB1-525	LLB1-550	LLB1-511
Flow range	[L/min (ANR)]	0.5 to 25	1 to 50	2 to 100
Fluid		Clean air, N ₂ gas		
Inlet air conditions		ISO 8573-1 and Quality class 1.1.2-1.6.2		
Maximum operating pressure	[MPa]	0.5		
Withstand pressure	[MPa]	1.0		
Fluid temperature	[°C]	5 to 45		
Ambient temperature	[°C]	5 to 45		
Display accuracy	[%F.S.]	±3		
Analog output accuracy	[%F.S.]	±5		
Pilot pressure	[MPa]	0.3 to 0.5		
Back pressure	[MPa]	0.3		
Nominal filtration rating	[µm]	0.01 (Filtration efficiency 99.99%)		
Fluid contact materials	Digital flow switch	LCP, PBT, Brass (Electroless nickel plated), HNBR (+ Fluoro coated) FKM (+ Fluoro coated), Silicon, Au, Stainless steel 304		
	ON/OFF valve	PTFE, POM		
	Clean gas filter	PBT, POM, PC, Polyolefin, PU, PET, ABS, HNBR		

Dimensions

[mm]

LLB1-□25/50-□SVF-X100



LLB1-□11-□SVF-X100

