

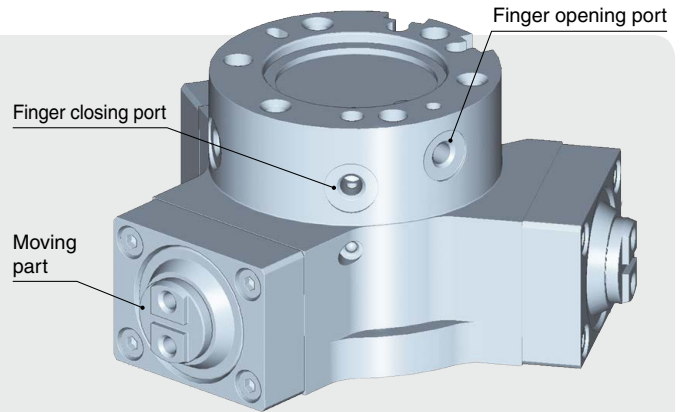
! Contact our sales office for delivery dates and prices as this is a special model.

Environment-resistant 3-Finger Air Gripper

MHS3-32D-X6708□, MHS3-63D-X6708□

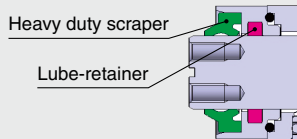
Features

- Improved durability in environments with dust and water splashing
- Environment-resistant structure added to the air gripper moving part
- A variety of models to suit various applications



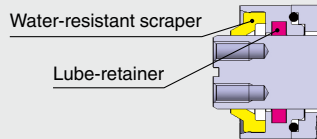
■ In dusty environments
→ With heavy duty scraper + Lube-retainer

* Applicable for environments containing particles or foreign matter. A grease film is formed on the rod by the Lube-retainer in order to improve endurance.



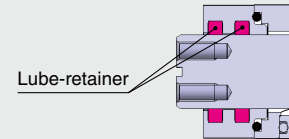
■ In environments with water splashing
→ With water-resistant scraper + Lube-retainer

* Applicable for environments in which coolant scatters in machine tools and water scatters in food machines, car washing machines, etc. A grease film is formed on the rod by the Lube-retainer in order to improve durability.



■ In micro-powder (10 to 100 μm) environments
→ With double Lube-retainer

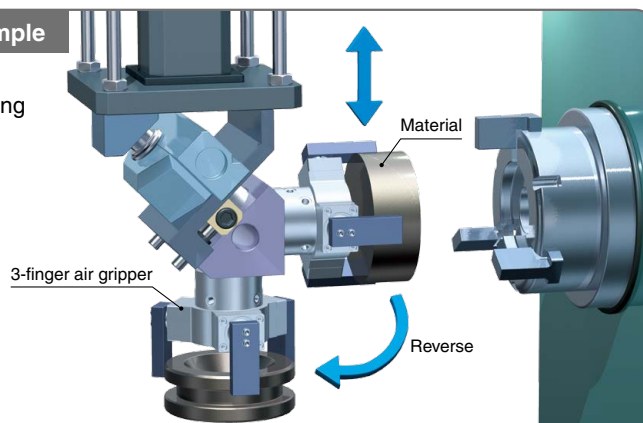
* Prevents particles and foreign matter from entering the gripper. The Lube-retainer ensures a consistent film of grease, improving gripper endurance.



Model		MHS3-32D-X6708□	MHS3-63D-X6708□
Bore size		ø32	ø63
Gripping force (0.5 MPa, L = 30 mm)	External gripping force	74 N	335 N
	Internal gripping force	82 N	359 N
Finger stroke (Diameter)		8 mm	16 mm
<p>Finger bore when closed Finger bore when opened</p>			

Application Example

- For machining equipment switching loaders



Caution To ensure the safest possible operation of this product, please be sure to thoroughly read the "Safety Instructions" in our "Best Pneumatics" catalog before use.

Specifications

Model		MHS3-32D-X6708□	MHS3-63D-X6708□
Bore size		ø32	ø63
Fluid		Air	
Action		Double acting	
Operating pressure		0.2 to 0.6 MPa	
Ambient and fluid temperatures		-10 to 60°C	
Repeatability		±0.01 mm	
Gripping force (0.5 MPa, L = 30 mm)	External gripping force	74 N	335 N
	Internal gripping force	82 N	359 N
Finger stroke (Diameter)		8 mm	16 mm
Seal material		NBR	
Max. operating frequency		60 c.p.m.	
Lubricant		Non-lube	
Weight		600 g	2400 g

How to Order

MHS3 - **32** D - **M9BA** □ - X6708 **A**

• Bore size

32	32 mm
63	63 mm

• Auto switch
 (Same as standard type)

• Number of auto switches
 (Same as the standard type)

• Specifications

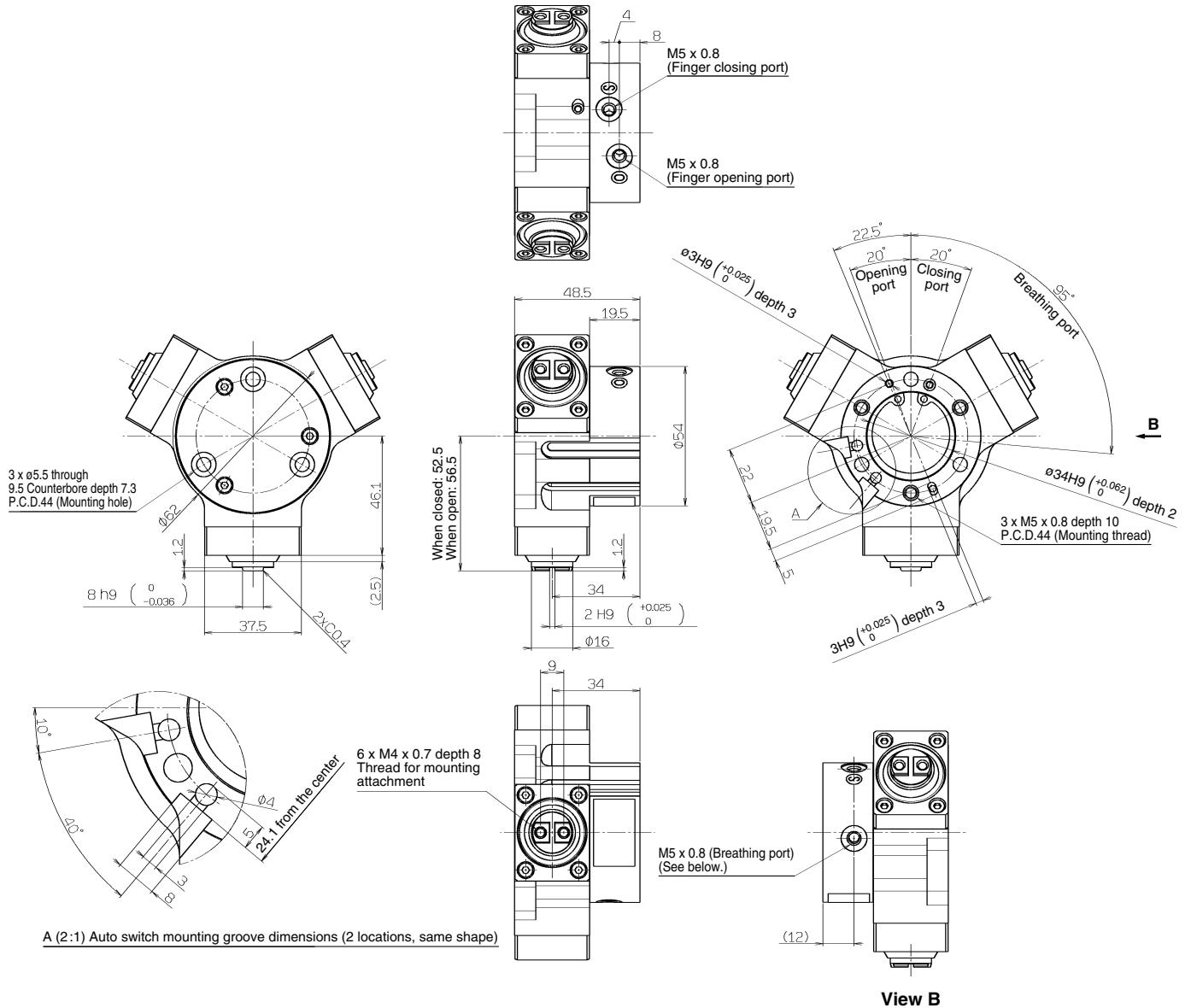
A	With heavy duty scraper + Lube-retainer
B	With water-resistant scraper + Lube-retainer
C	With double Lube-retainer

• Environment-resistant 3-Finger Air Gripper

Dimensions

MHS3-32D-X6708□

(The dimensions of the model with a heavy duty scraper + Lube-retainer, the model with a water-resistant scraper + Lube-retainer, and the model with a double Lube-retainer are the same.)

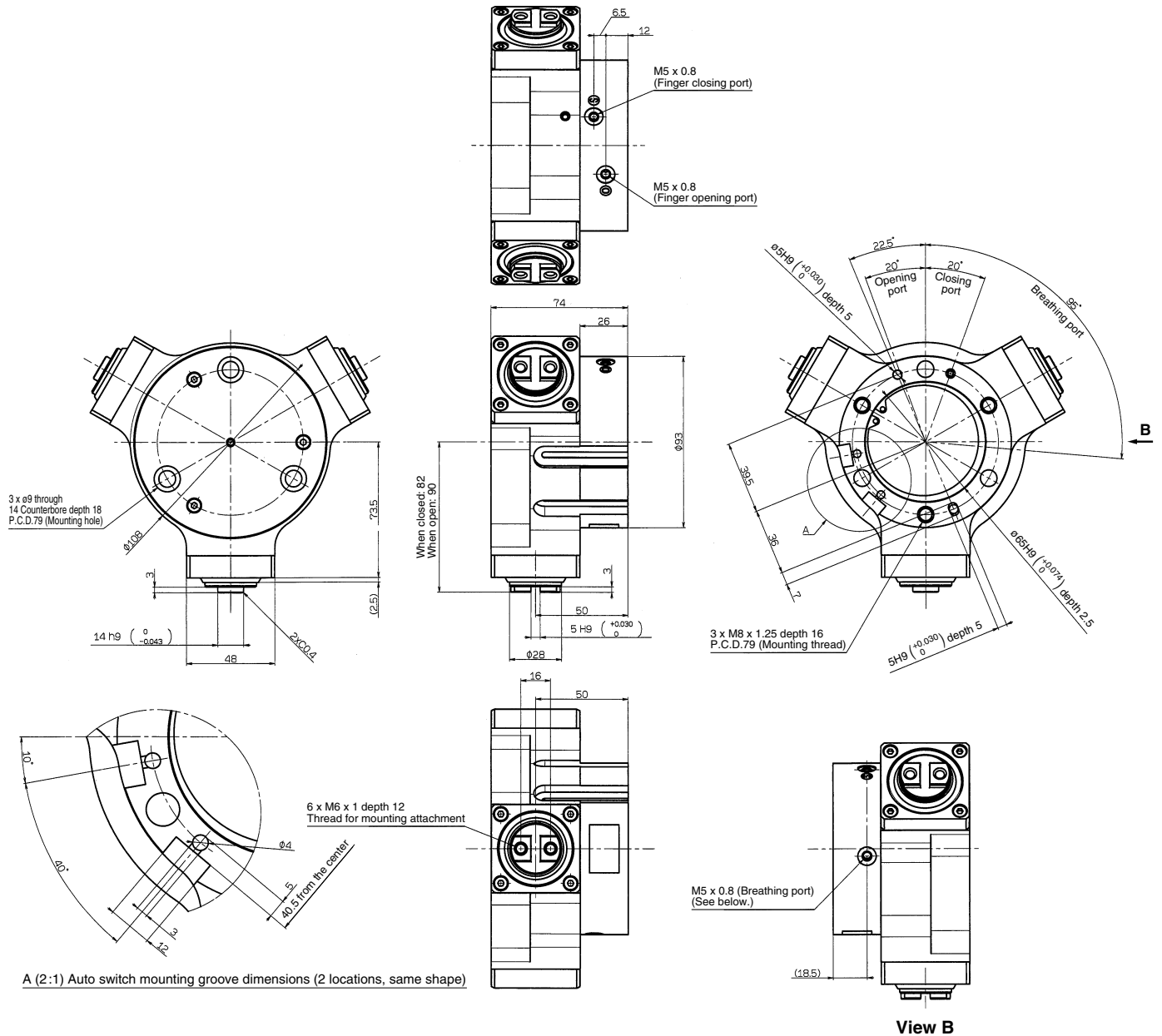


* Connect piping to the breathing port so that the dust, water, etc., in the surrounding atmosphere does not get into the product, and open the port to a safe place.

Dimensions

MHS3-63D-X6708□

(The dimensions of the model with a heavy duty scraper + Lube-retainer, the model with a water-resistant scraper + Lube-retainer, and the model with a double Lube-retainer are the same.)



* Connect piping to the breathing port so that the dust, water, etc., in the surrounding atmosphere does not get into the product, and open the port to a safe place.