

! Contact our sales office for delivery dates and prices as this is a special model.

Specialized Product

Point to Group
P.G. information

CC-Link IE Field Compatible Fieldbus System

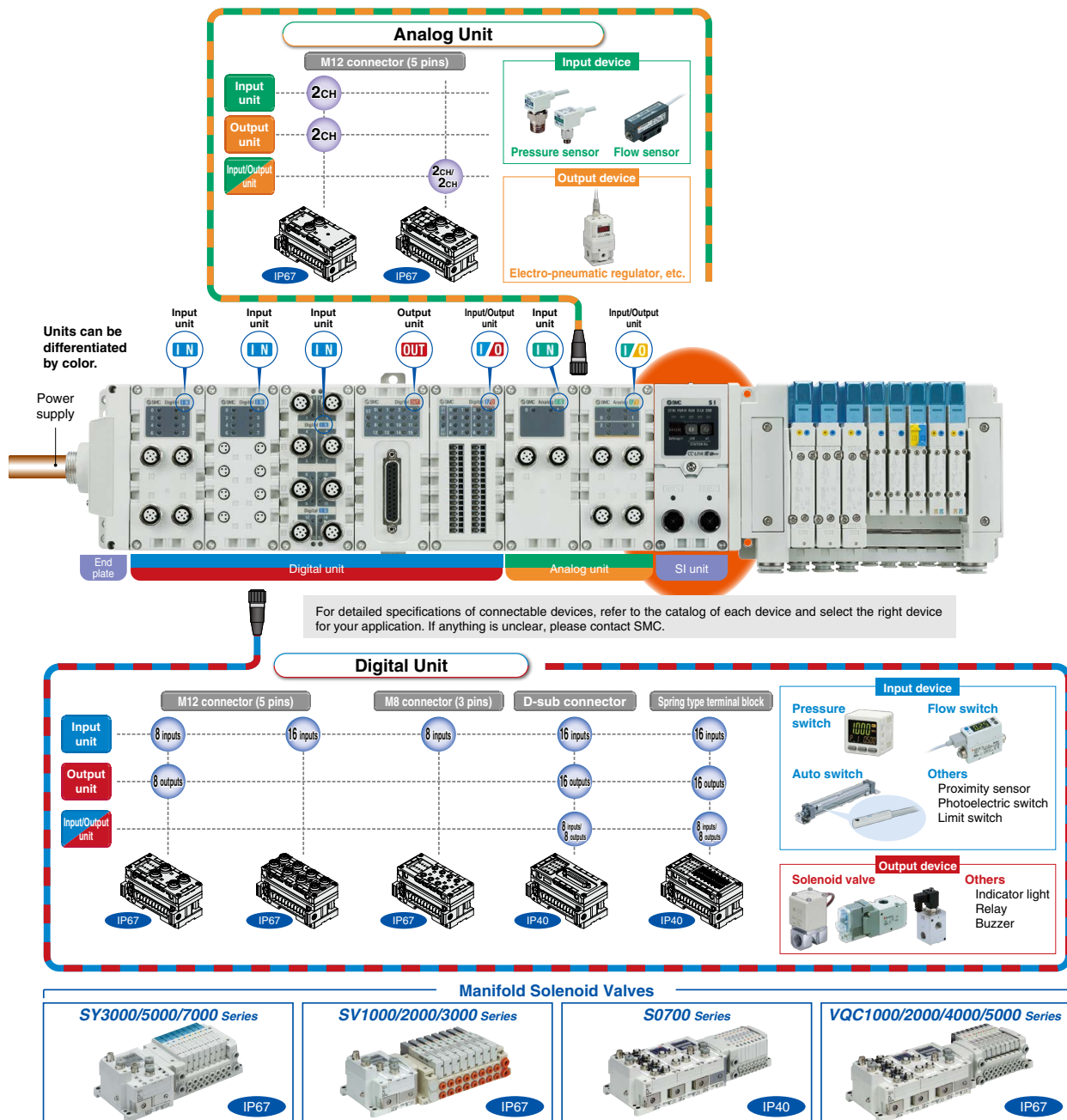
EX600-SCF1-X60

CC-Link IE Field™

Features

Supports the CC-Link IE Field communication protocol

* CC-Link IE Field: Industrial Ethernet that supports a communication speed of 1 Gbps



Caution To ensure the safest possible operation of this product, please be sure to thoroughly read the "Safety Instructions" in our "Best Pneumatics" catalog before use.



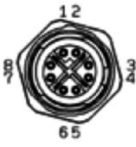
Specifications

Item		Specifications
Communication	Protocol	CC-Link IE Field
	Station type	Intelligent device station
	Communication speed	1 Gbps
	Allowable station number setting	1 to 120
	Allowable network number setting	1 to 239
	Transmission method	Cyclic transmission
	Configuration file	CSP+
	Network topology	Star, Line, Ring
	Occupied input size	RX: 32 to 176 bits RWr: 32 to 608 words
	Occupied output size	RY: 32 to 176 bits RWW: 32 to 608 words
Internal current consumption (Power supply for control/input)		140 mA or less
Output	Output type	Source/PNP (Negative common)
	Number of outputs	32 outputs
	Connected load	Solenoid valve with surge voltage suppressor of 24 VDC and 1.0 W or less (made by SMC)
	Applicable valve manifold	SY3000, SY5000, SY7000 VQC1000, VQC2000, VQC4000, VQC5000 SV1000, SV2000, SV3000 S0700
	Power supply	24 VDC, 2 A
	Fail safe	HOLD/CLEAR
	Protection	Short-circuit protection
Operating temperature range		-10 to 50°C
Enclosure		IP67 (Manifold assembly)
Standards		CE marking, RoHS compliant
Weight		300 g or less

Please contact SMC for the operation manual and configuration file.

Refer to the catalog and the SMC website for other specifications of the EX600, end plate, and input/output units.

Wiring Specifications

Communication connector PORT 1 (P1) & PORT 2 (P2)		
M12 8-pin socket, X-Coding (Cat. 6A)		
	No.	Designation
	1	DA+
	2	DA-
	3	DB+
	4	DB-
	5	DD+
	6	DD-
	7	DC-
8	DC+	
Mating cable examples [M12 connector — Separate lines] : NBC-MSX/1,0-94F SCO (Order no.: 1407467) (1 m) : NBC-MSX/2,0-94F SCO (Order no.: 1407468) (2 m) : NBC-MSX/5,0-94F SCO (Order no.: 1407469) (5 m), etc. (made by PHOENIX CONTACT)		
[M12 connector — RJ45 connector] : NBC-MSX/1,0-94F/R4AC SCO (Order no.: 1407471) (1 m) : NBC-MSX/2,0-94F/R4AC SCO (Order no.: 1407472) (2 m) : NBC-MSX/5,0-94F/R4AC SCO (Order no.: 1407473) (5 m), etc. (made by PHOENIX CONTACT)		

How to Order

EX600 - S C F 1 - X60

Communication protocol ●

CF CC-Link IE Field

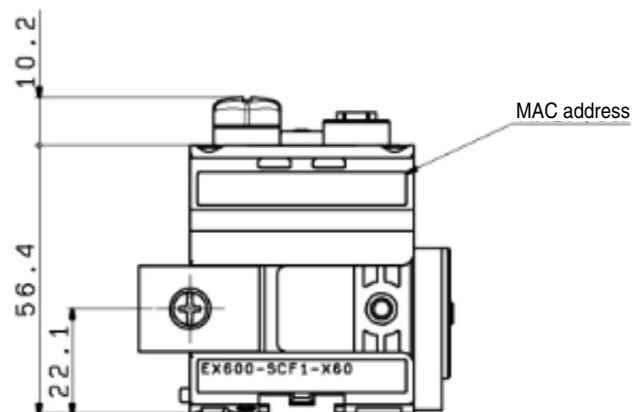
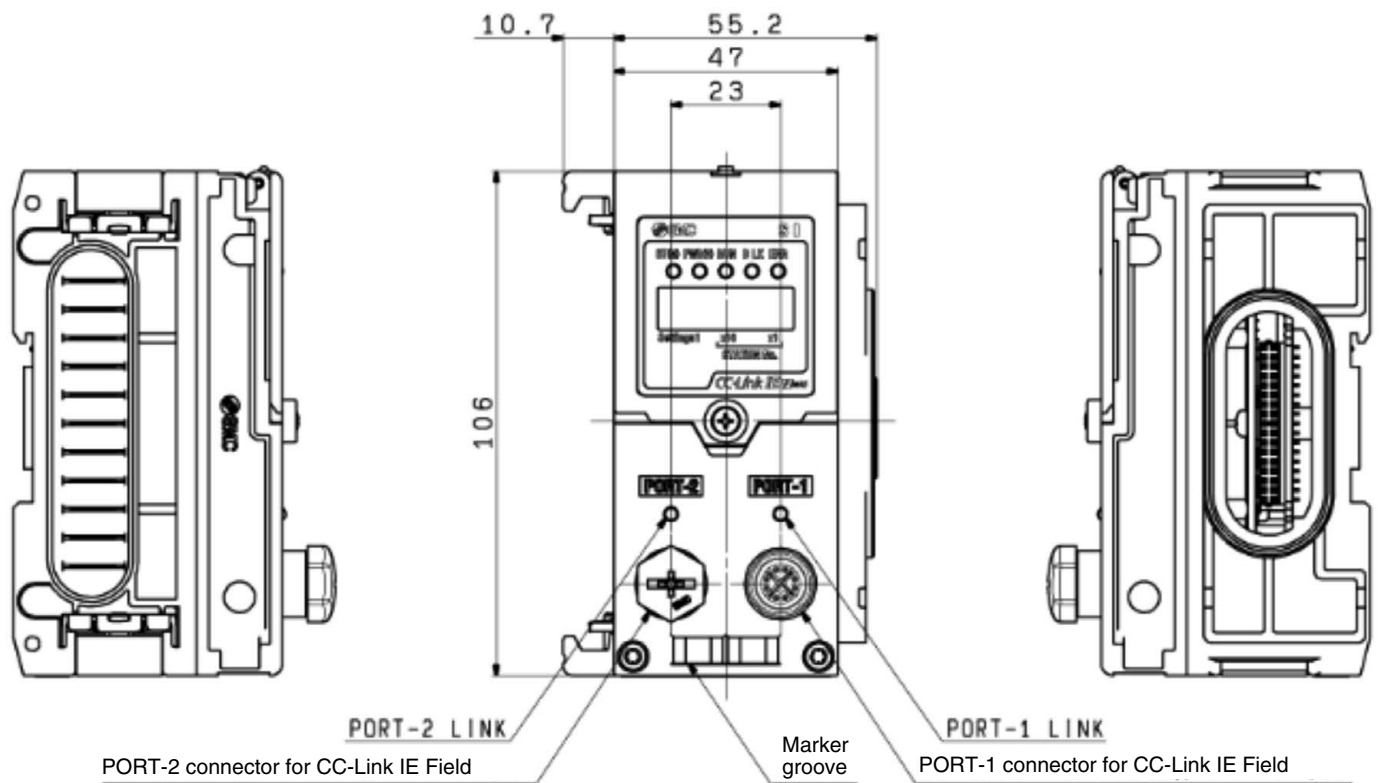
Output specification ●

1 32 outputs, PNP (Negative common)/Source

* Order the end plate and input/output units as a set to be used in combination.

Dimensions

[mm]



⚠ Caution

1. For the dimensions when combined with the valve manifold, use the valve manifold dimensions of the standard EX600 series.
2. Order the valve manifold, end plate, and input/output units separately.
Specify "no SI unit" and "negative common" for the valve manifold specifications.