

! Contact our sales office for delivery dates and prices as this is a special model.

Specialized Product **P.G.** Point to Group information

# EX600 Series IO-Link Master

## Features

- Modular connection with input/output units or valves is possible.
- CC-Link IE Field compatible
- IP67 compliant

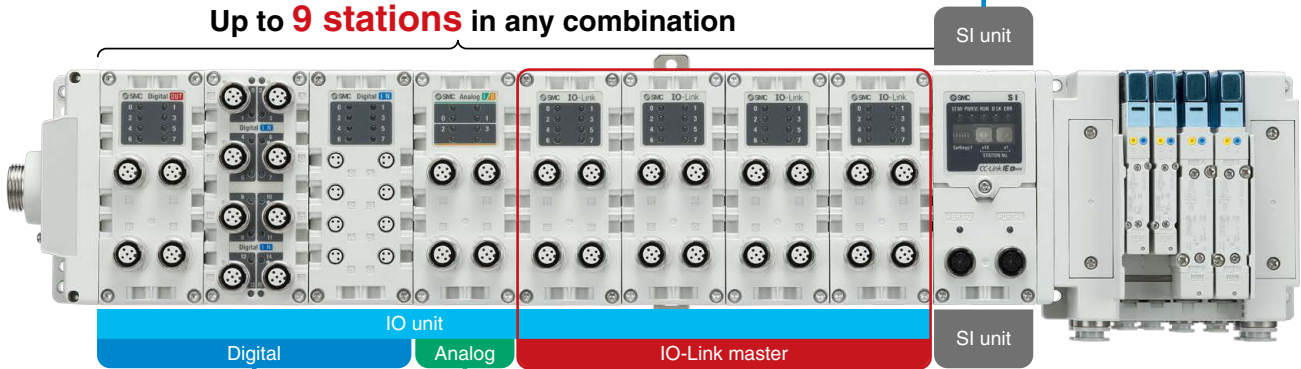


PLC

Fieldbus **CC-Link IE Field™**

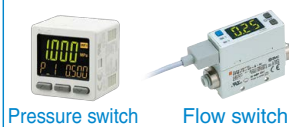


Up to **9 stations** in any combination



### Digital

#### Input device



Pressure switch Flow switch



Auto switch

#### Output device



Solenoid valve

### Analog

#### Input device



Pressure sensor Flow sensor

#### Input/Output device



Electro-pneumatic regulator

### IO-Link devices



3-screen display  
High-precision  
digital pressure switch  
ZSE20B(F)-L/ISE20B-L



3-screen display  
High-precision  
digital pressure switch  
ISE7□/7□G



Digital flow switch for water  
PF3W7□-X445



Actuator position sensor  
D-MP



Electro-pneumatic regulator  
ITV-X395



Step motor controller  
JXCL1



**Caution** To ensure the safest possible operation of this product, please be sure to thoroughly read the "Safety Instructions" in our "Best Pneumatics" catalog before use.

**SMC Corporation** 4-14-1, SOTO-KANDA, CHIYODA-KU, TOKYO 101-0021, JAPAN URL: <http://www.smcworld.com>

©2018 SMC Corporation All Rights Reserved



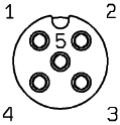
SP175X-032E  
P: WS

**Specifications**

Item		Specifications	
IO-Link	Pin no. 4	IO-Link version	Ver1.1
		IO-Link port type	Class A
		Communication speed	COM1 (4.8 kbps) COM2 (38.4 kbps) COM3 (230.4 kbps) * Automatically identified in accordance with the communication speed of the IO-Link device
		Number of ports	4
		Max. process data size	Input: 32 bytes/Output: 32 bytes (per port)
Digital input	Pin no. 4	Input polarity	PNP
		Rated input current	12 mA
		ON voltage	13 V or more
Digital output	Pin no. 4	OFF voltage	8 V or less
		Output polarity	PNP
		Max. load current	0.25 A/1 output
Digital input	Pin no. 2	Input polarity	PNP
		Rated input current	5 mA
		ON voltage	17 V or more
		OFF voltage	5 V or less
Max. supplied current		0.5 A (Connector)	
Operating temperature range		-10 to 50°C	
Enclosure		IP67 (Manifold assembly)	
Standards		CE marking, RoHS compliant	
Weight		320 g	

**Connector Pin No.**

M12 5-pin socket



Pin no.	Function
1	24 V (For control/input)
2	DI (Digital input)
3	0 V (For control/input)
4	C/Q*1
5	Not used

\*1 Can be switched to IO-Link, digital input, or digital output via parameter

**How to Order**

**EX600 - GIL B - X60**

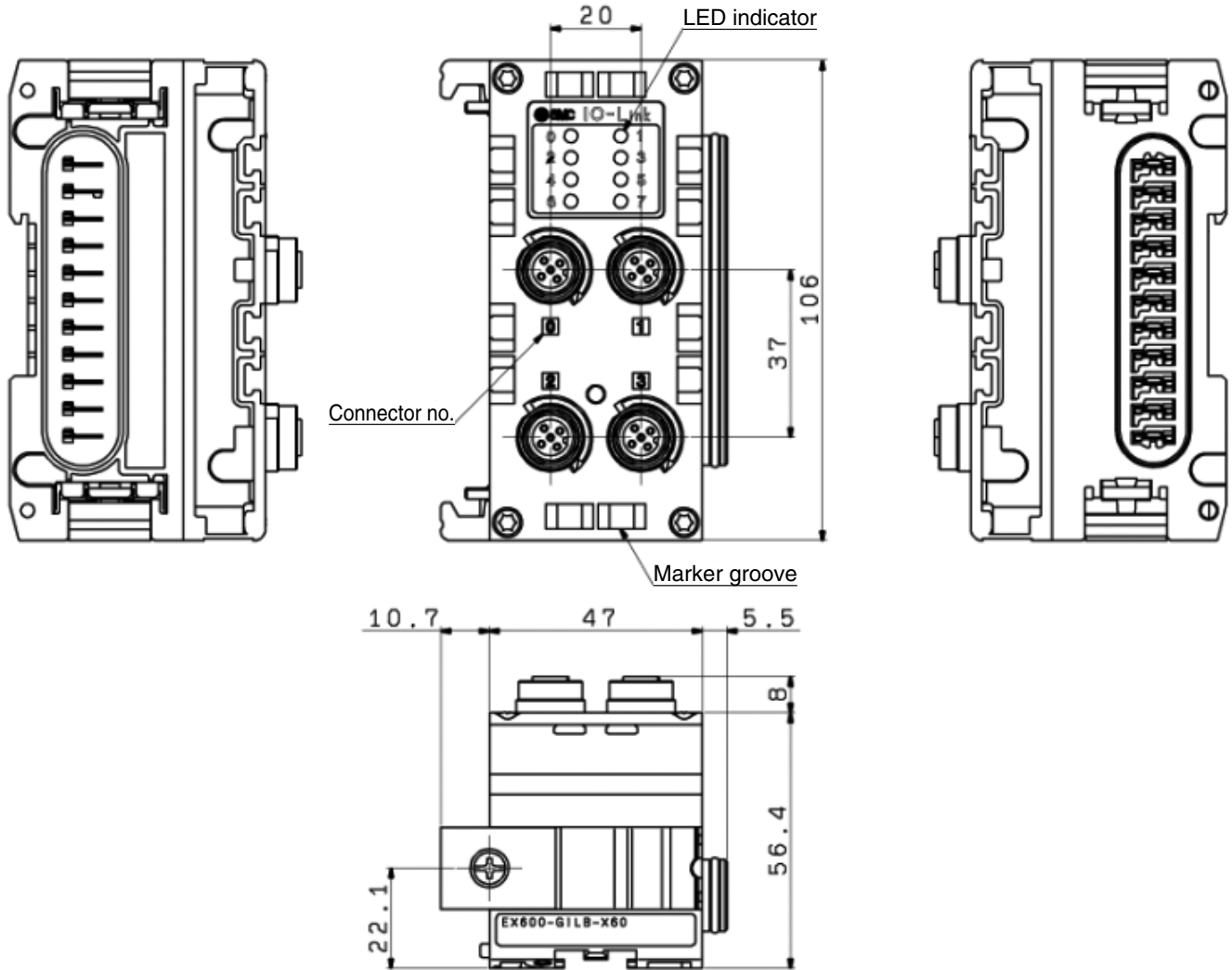
IO-Link Master

Number of ports

**B** 4 ports

**Dimensions**

[mm]



**⚠ Caution**

The EX600 series IO-Link master can only be connected to SI units for CC-Link IE Field, EX600-SCF1-X60. It is not compatible with other EX600 SI units.