

! Contact our sales office for delivery dates and prices as this is a special model.

Specialized Product **P.G.** Point to Group information

**For Air**

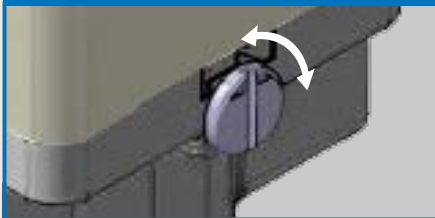
# 2-Port Solenoid Valve with Manual Override

VX2□0□□□□X357□

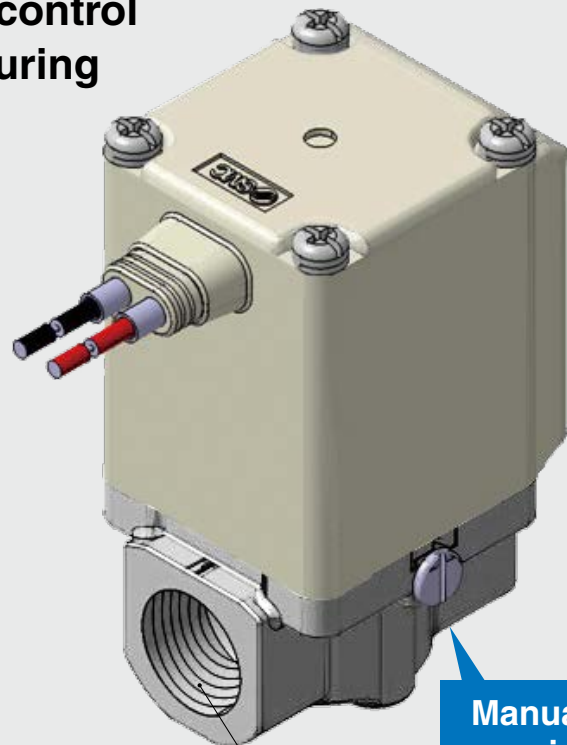
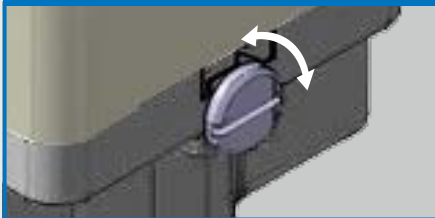
**Features**

The valve can be manually opened or closed when electrical control is not possible, such as during machine adjustment.

Manual override: Valve closed



Manual override: Valve open



Body material: Aluminum

**Variations**

Body size	Valve type	Orifice diameter							Body material	Seal material	Port size
		ø2 mm	ø3 mm	ø4 mm	ø5 mm	ø7 mm	ø8 mm	ø10 mm			
Size 1	N.C.	●	●	—	●	—	—	—	Aluminum	NBR	1/8, 1/4
Size 2		—	—	●	—	●	—	—			1/4, 3/8
Size 3		—	—	—	●	—	●	●			1/4, 3/8

**Caution** To ensure the safest possible operation of this product, please be sure to thoroughly read the "Safety Instructions" in our "Best Pneumatics" catalog before use.



**How to Order (Single Unit)**

VX2 **1** **0** **A** **A** □ □ X357 □

Fluid  
 0 For air

Other option  
 Electrical option

**Common Specifications**

Seal material	NBR
Coil insulation type	Class B
Thread type	Rc

**Coil size/Valve type**

Size	Symbol	Valve type
Size 1	1	N.C.

**Body material/Port size/Orifice diameter**

Symbol	Body material	Port size	Orifice diameter
A	Aluminum	1/8	2
B			3
C			5
D		1/4	2
E			3
F			5

Size	Symbol	Valve type
Size 2	2	N.C.

Symbol	Body material	Port size	Orifice diameter
A	Aluminum	1/4	4
B			7
D		3/8	4
E			7

Size	Symbol	Valve type
Size 3	3	N.C.

Symbol	Body material	Port size	Orifice diameter
A	Aluminum	1/4	5
B			8
C			10
D		3/8	5
E			8
F			10

**Special options**

Symbol	Mounting option	Electrical entry direction
Nil	None	IN side (Standard)
A		90°
B		180°
C		270°
D	With bracket	IN side (Standard)
E		90°
F		180°
G	270°	
H	Mounting holes on the bottom side of the body	IN side (Standard)
J		90°
K		180°
L		270°

**Voltage/Electrical entry**

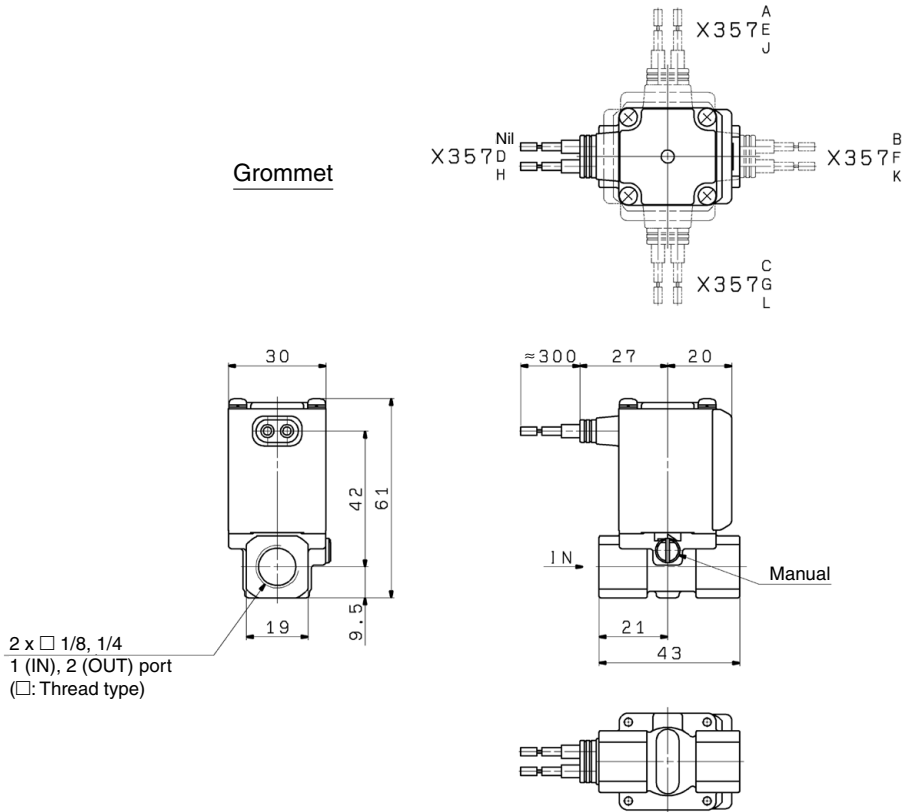
Symbol	Voltage	Electrical entry
A	24 VDC	Grommet
B	100 VAC	Grommet (With surge voltage suppressor)
C	110 VAC	
D	200 VAC	
E	230 VAC	
F	24 VDC	DIN terminal (With surge voltage suppressor)
G	24 VDC	
H	100 VAC	
J	110 VAC	
K	200 VAC	
L	230 VAC	Conduit terminal (With surge voltage suppressor)
M	24 VDC	
N	100 VAC	
P	110 VAC	
Q	200 VAC	Conduit (With surge voltage suppressor)
R	230 VAC	
S	24 VDC	
T	100 VAC	
U	110 VAC	
V	200 VAC	Flat terminal
W	230 VAC	
Y	24 VDC	
Z	Other special options	

For electrical/other options, refer to the **Web Catalog**.

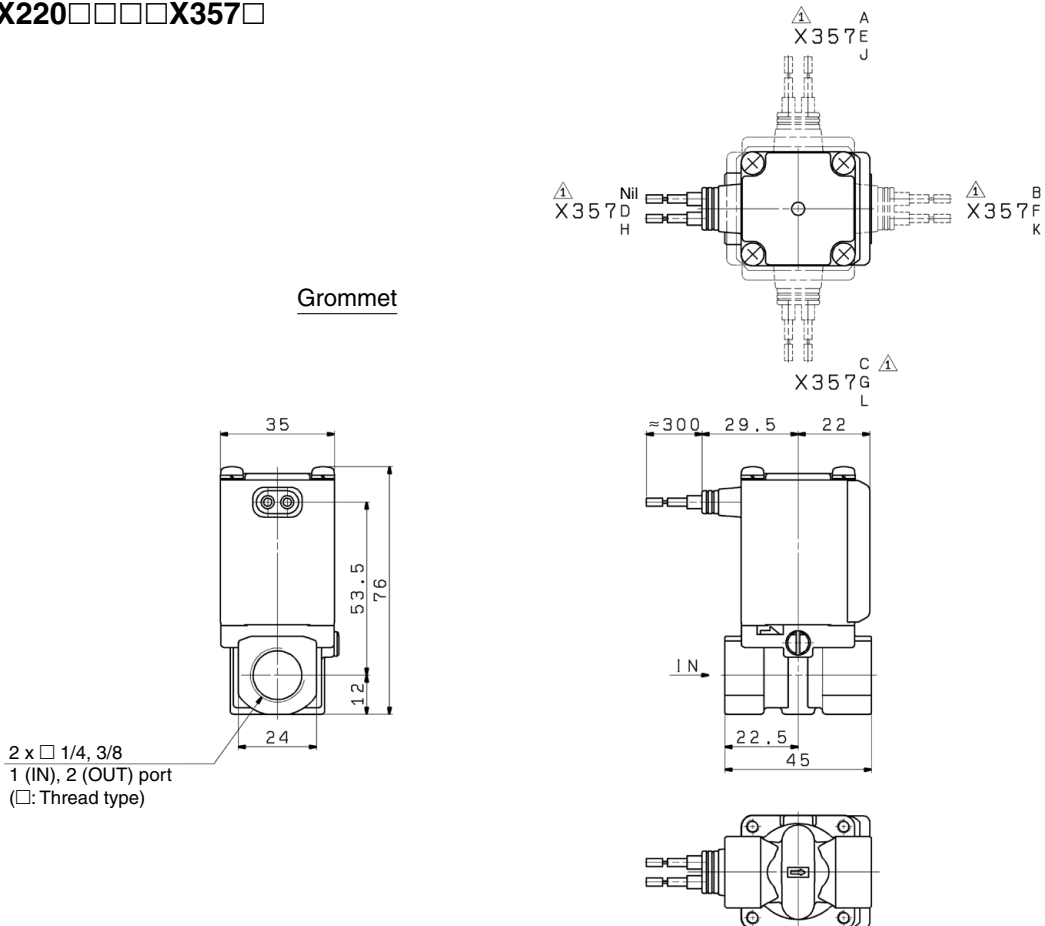
**Dimensions**

[mm]

**VX210□□□□X357□**



**VX220□□□□X357□**

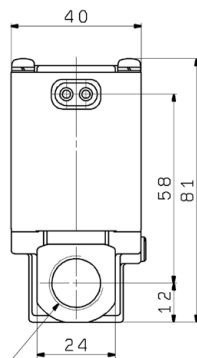
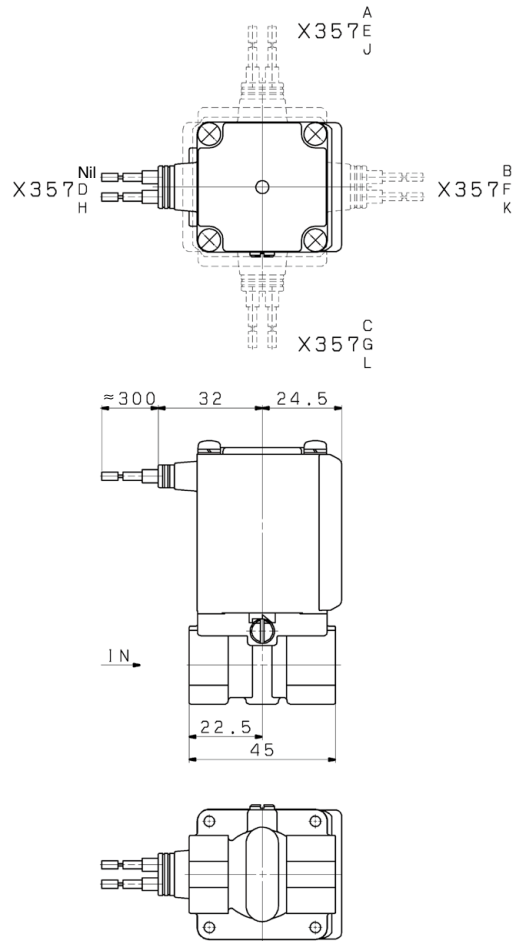


**Dimensions**

[mm]

VX230□□□□X357□

Grommet



2 x □ 1/4, 3/8  
 1 (IN), 2 (OUT) port  
 (□: Thread type)

**Manual operation method**

**Valve opening:** Turn the manual override 90 degrees clockwise using a slotted screwdriver. The valve will remain open even when the screwdriver is removed.

**Valve closing:** Turn the manual override 90 degrees counterclockwise from the valve open position to return it to its original position.

Make sure that the manual override is in the valve closed position when performing electrical operation.

Note) Do not turn the manual override more than 90 degrees.

