

Non-plug-in Individual Wiring Vacuum Release Valve with Restrictor Series **SJ3A6**



How to Order

● Individual wiring manifold

SS3J3-V60-05 U □ □

Vacuum release valve with restrictor type

Valve stations

Symbol	Stations
02	2 stations
⋮	⋮
20	20 stations

DIN rail length specified

Nil	Standard length	
3	3 stations	Specify a longer rail than the standard length.
⋮	⋮	
20	20 stations	

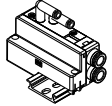
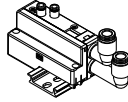
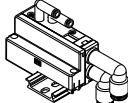
* Specify the valve stations not exceeding the maximum stations.

SUP/EXH block mounting position

U	U side (2 to 10 stations)
D	D side (2 to 10 stations)
B	Both sides (2 to 20 stations)
M*	Special specifications

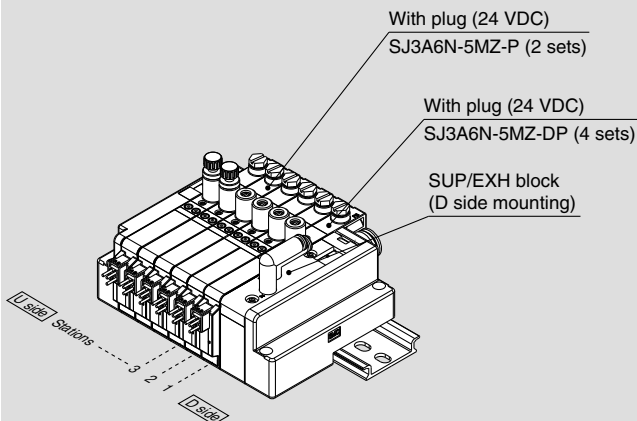
* Specify the required specifications (Including port sizes other than $\varnothing 8$) by means of the manifold specification sheet.

SUP/EXH block fitting spec.

Nil	Straight fitting	
L	Elbow fitting (Upward)	
B	Elbow fitting (Downward)	

How to Order Valve Manifold Assembly

Ordering example (SS3J3-V60-□)



SS3J3-V60-06D 1 set (Manifold part no.)
* **SJ3A6N-5MZ-DP**..... 4 sets (With plug part no.)
* **SJ3A6N-5MZ-P**..... 2 sets (With plug part no.)

↳ The asterisk denotes the symbol for assembly.
Prefix to the part no. of the solenoid valve, etc.

- The valve arrangement is numbered as the 1st station from D side.
- Indicate the valves to be attached below the manifold part number, in order starting from station 1 as shown in the drawing. In the case of complex arrangement, specify them in the manifold specification sheet.

* There is no need to enter anything when the SUP/EXH block mounting position "M" is selected. Also, this manifold comes standard with external pilot specifications.