

4 Port Solenoid Valve Common Specifications

Series SJ2000/3000



Manifold Specifications

| Model | D-sub connector | | Flat ribbon cable | | | Serial wiring | | Individual wiring |
|---|--|---|---|---|----------------------|-----------------------|------------------|-------------------|
| | Type 60F | Type 60P | Type 60PG Type 60J Type 60G | Type 60PH | Type 60S□ (EX180) | Type 60S6B (EX510) | Type 60 | |
| Manifold type | Plug-in, Connector type | | | | | | | Non-plug-in |
| 1(P: SUP), 3/5(E: EXH) | Common SUP, EXH | | | | | | | |
| Valve stations | 2 to 24 stations | | 2 to 18 stations (Type PG) 2 to 16 stations (Type J, Type G) | 2 to 8 stations | 2 to 32 stations | 2 to 16 stations | 2 to 20 stations | |
| Applicable connector | D-sub connector Conforming to MIL-C-24308 JIS-X-5101 | Flat ribbon cable connector Socket: 26 pins MIL type with strain relief Conforming to MIL-C-83503 | Flat ribbon cable connector Socket: 20 pins MIL type with strain relief Conforming to MIL-C-83503 | Flat ribbon cable connector Socket: 10 pins MIL type with strain relief Conforming to MIL-C-83503 | — | — | — | |
| Internal wiring | Non-polar, +COM | | | | | | | |
| 4(A), 2(B) port piping spec. | Location | Valve | | | | | | |
| | Direction | Horizontal, Upward, Downward (Using elbow fittings for upward or downward) | | | | | | |
| Port size | 1(P), 3/5(E) port | | C6, C8, N7, N9 (Inch size elbow fitting is not available.) | | | | | |
| | 4(A), 2(B) port | SJ2000 | C2, C4, N1, N3, M3 | | | | | |
| | | SJ3000 | C2, C4, C6, N1, N3, N7, M5 | | | | | |
| Weight W (g) ^{Note 2)} | n: Number of SUP/EXH blocks m: Weight of DIN rail | | $W = 51n + m + 133$ | | | | | |

Note 1) When many valves are operated simultaneously, use B type (SUP/EXH both sides), applying pressure to the 1(P) ports on both sides and exhaust from the 3/5(E) ports on both sides.

Note 2) The weight W is the value for the D-sub connector manifold only with internal pilot, SUP/EXH block straight fittings specifications. To obtain the weight with solenoid valves attached, add the solenoid valve weights given on page 3 for the appropriate number of stations. Refer to page 61 for the weight of DIN rail. (Please contact SMC for the weight of external pilot specifications, elbow fittings.)

Flow Characteristics

SJ2000

| Port size | | Flow characteristics | | | | | |
|----------------|----------------|------------------------------|------|------|------------------------------|------|------|
| 1(P) 3/5(E) | 4, 2 (A, B) | 1→2/4 (P→A/B) | | | 4/2→3/5 (A/B→E) | | |
| | | C [dm ³ /(s·bar)] | b | Cv | C [dm ³ /(s·bar)] | b | Cv |
| C8 | C2 | 0.13 | 0.55 | 0.04 | 0.13 | 0.50 | 0.04 |
| | C4 | 0.33 | 0.16 | 0.08 | 0.36 | 0.13 | 0.08 |
| | M3 | 0.18 | 0.52 | 0.06 | 0.20 | 0.29 | 0.06 |

SJ3000

| Port size | | Flow characteristics | | | | | |
|----------------|----------------|------------------------------|------|------|------------------------------|------|------|
| 1(P) 3/5(E) | 4, 2 (A, B) | 1→2/4 (P→A/B) | | | 4/2→3/5 (A/B→E) | | |
| | | C [dm ³ /(s·bar)] | b | Cv | C [dm ³ /(s·bar)] | b | Cv |
| C8 | C2 | 0.13 | 0.56 | 0.04 | 0.14 | 0.51 | 0.04 |
| | C4 | 0.42 | 0.17 | 0.11 | 0.45 | 0.16 | 0.11 |
| | C6 | 0.55 | 0.10 | 0.12 | 0.56 | 0.11 | 0.12 |
| | M5 | 0.40 | 0.28 | 0.11 | 0.45 | 0.15 | 0.11 |

Note) The value is for manifold base with 5 stations and individually operated 2 position type.
Please contact SMC for 4 position dual 3 port valves.

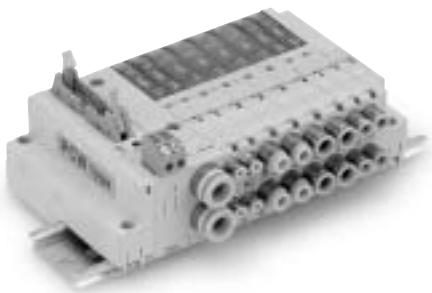
Plug-in Connector Type Manifold

Series SJ2000/3000

P.10 D-sub Connector / Flat Ribbon Cable / PC Wiring



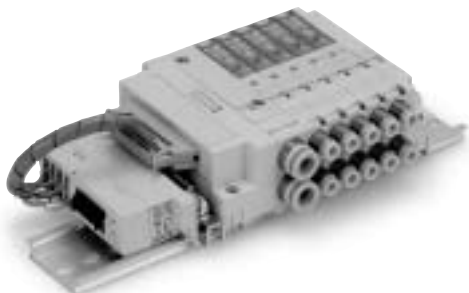
P.26 PC Wiring System with Power Supply Terminal



P.34 Serial Wiring: EX180



P.42 Gateway System Serial Transmission System: EX510



Plug-in Connector Type

D-sub Connector / Flat Ribbon Cable / PC Wiring

Series SJ2000/3000



How to Order

Connector type manifold

SS5J 3 - 60 F D 1 - 05 U

| Series | |
|--------|----------------------------|
| 2 | SJ2000 |
| 3 | SJ3000 (SJ2000/3000 mixed) |

| DIN rail length specified | | |
|---------------------------|-----------------|---|
| Nil | Standard length | |
| 3 | 3 stations | Specify a longer rail than the standard length. |
| ⋮ | ⋮ | |
| 24 | 24 stations | |

* Specify the valve stations not exceeding the maximum stations.

Mixed mounting type

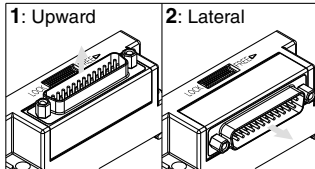
| Nil | Standard <small>Note 1)</small> |
|-----|---------------------------------------|
| M | Mixed mounting <small>Note 2)</small> |

Note 1) There is no need to enter anything when you operate either the SJ2000 or SJ3000 series alone.
 Note 2) Enter "M" when the SJ2000 or SJ3000 series will be mounted on the same manifold base together.

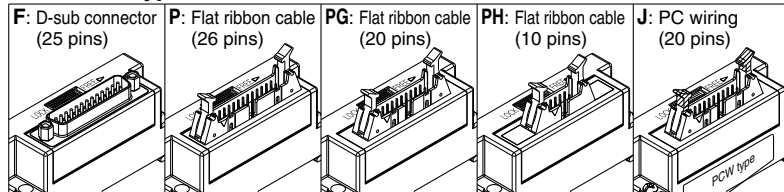
Connector mounting position

| Symbol | Mounting position |
|--------|-------------------|
| D | D side |

Connector entry direction



Connector type



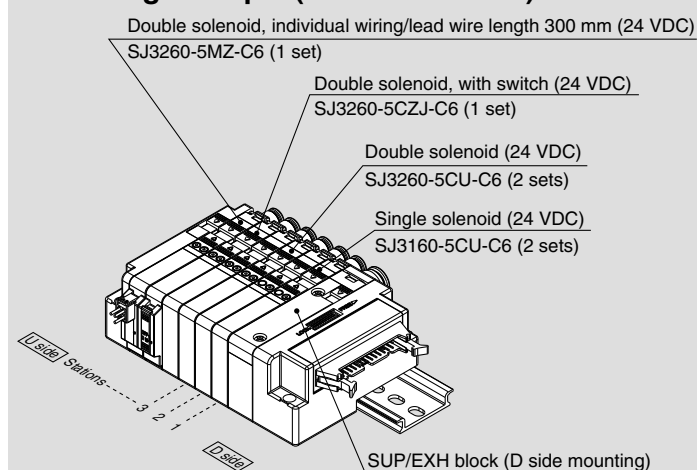
SUP/EXH block fitting spec.

| Nil | Straight fitting | |
|-----|--------------------------------------|--|
| | With external pilot spec. X, PE port | |
| L | Elbow fitting (Upward) | |
| | With external pilot spec. X, PE port | |
| B | Elbow fitting (Downward) | |
| | With external pilot spec. X, PE port | |

* There is no need to enter anything when the SUP/EXH block mounting position "M" is selected.

How to Order Valve Manifold Assembly

Ordering example (SS5J3-60PD2-□)



SS5J3-60PD2-06D 1 set (Manifold part no.)
 * SJ3160-5CU-C6 2 sets (Single solenoid part no.)
 * SJ3260-5CU-C6 2 sets (Double solenoid part no.)
 * SJ3260-5CZJ-C6 1 set (Double solenoid, with switch part no.)
 * SJ3260-5MZ-C6 1 set (Double solenoid, individual wiring/lead wire length 300 mm part no.)

The asterisk denotes the symbol for assembly.
 Prefix to the part no. of the solenoid valve, etc.

• The valve arrangement is numbered as the 1st station from D side.
 • Indicate the valves to be attached below the manifold part number, in order starting from station 1 as shown in the drawing. In the case of complex arrangement, specify them in the manifold specification sheet.

Pilot spec.

| | |
|-----|------------------------------------|
| Nil | Internal pilot |
| S | Internal pilot / Built-in silencer |
| R | External pilot |
| RS | External pilot / Built-in silencer |

* There is no need to enter anything when the SUP/EXH block mounting position "M" is selected.

* For built-in silencers, the 3/5(E) ports are plugged.

SUP/EXH block mounting position

| | |
|----|-------------------------------|
| U | U side (2 to 10 stations) |
| D | D side (2 to 10 stations) |
| B | Both sides (2 to 24 stations) |
| M* | Special specifications |

* Specify the required specifications (including port sizes other than ø8) by means of the manifold specification sheet.

Valve stations

F: D-sub connector

| Symbol | Stations | Note |
|--------|-------------|------------------------------|
| 02 | 2 stations | Up to 24 solenoids possible. |
| ⋮ | ⋮ | |
| 24 | 24 stations | |

PG: Flat ribbon cable (20 pins)

| Symbol | Stations | Note |
|--------|-------------|------------------------------|
| 02 | 2 stations | Up to 18 solenoids possible. |
| ⋮ | ⋮ | |
| 18 | 18 stations | |

P: Flat ribbon cable (26 pins)

| Symbol | Stations | Note |
|--------|-------------|------------------------------|
| 02 | 2 stations | Up to 24 solenoids possible. |
| ⋮ | ⋮ | |
| 24 | 24 stations | |

PH: Flat ribbon cable (10 pins)

| Symbol | Stations | Note |
|--------|------------|-----------------------------|
| 02 | 2 stations | Up to 8 solenoids possible. |
| ⋮ | ⋮ | |
| 08 | 8 stations | |

J: PC wiring (20 pins)

| Symbol | Stations | Note |
|--------|-------------|------------------------------|
| 02 | 2 stations | Up to 16 solenoids possible. |
| ⋮ | ⋮ | |
| 16 | 16 stations | |

* The number of the blanking block assembly is also included. Since single and double wiring are available with the blanking block assembly, select a model compatible with the valve wiring spec. planned for the future. (Refer to page 61.)

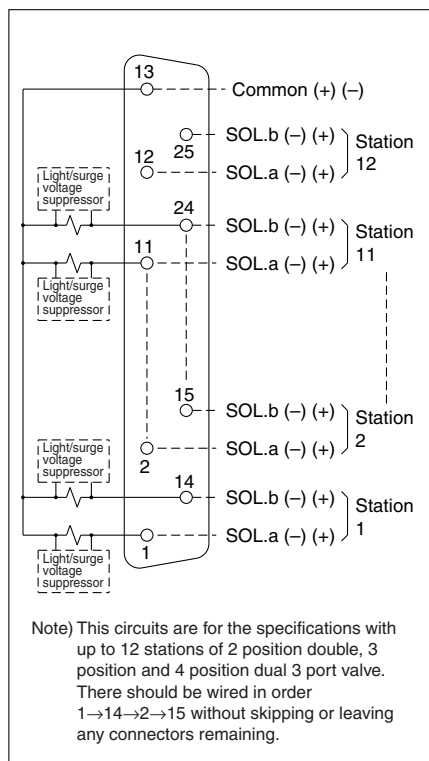


* Refer to page 26 through to 33 for PCW type with power supply terminal.

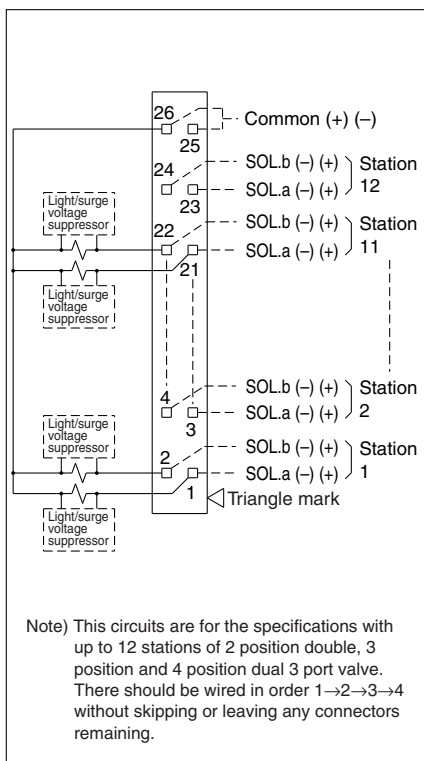
Series SJ2000/3000

Manifold Electrical Wiring (Non-polar type)

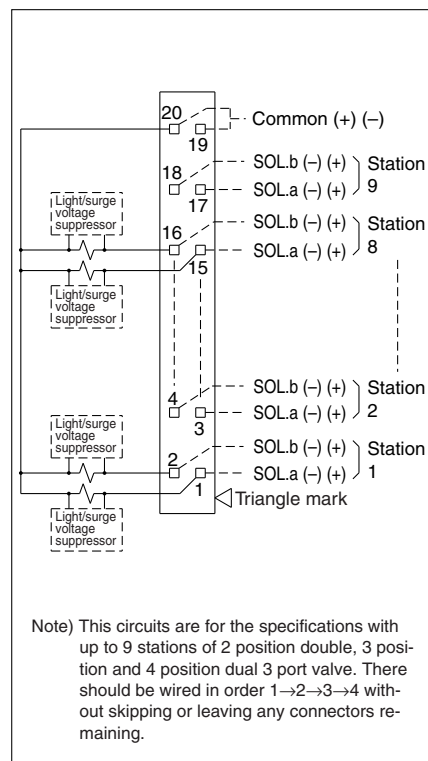
Type 60F: D-sub connector (25 pins)



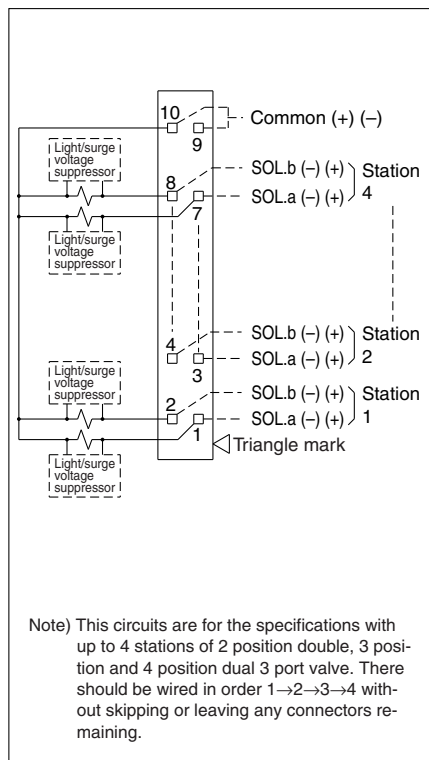
Type 60P: Flat ribbon cable (26 pins)



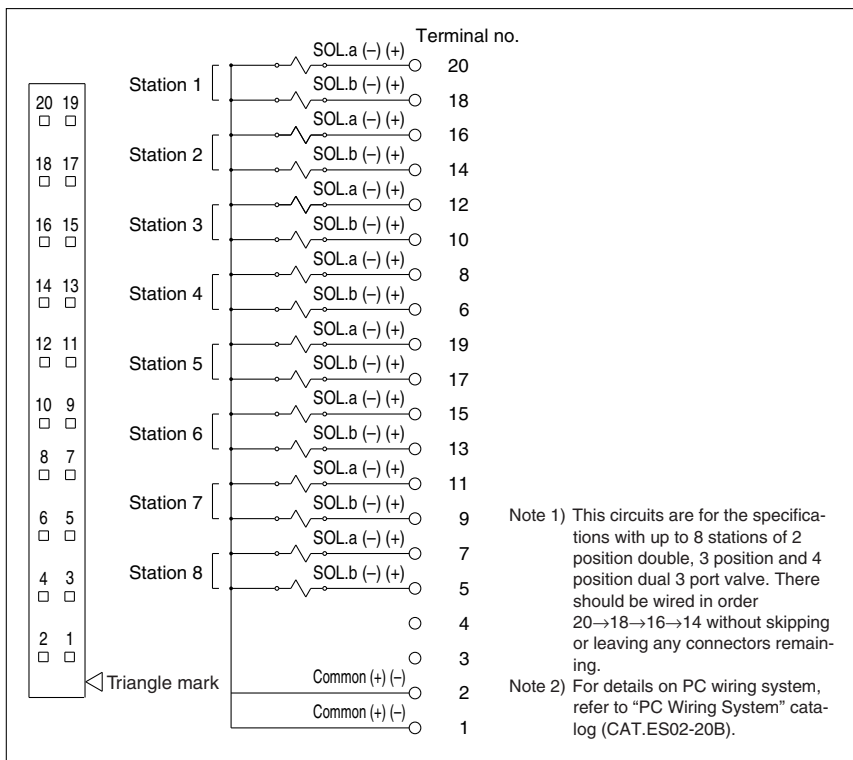
Type 60PG: Flat ribbon cable (20 pins)



Type 60PH: Flat ribbon cable (10 pins)



Type 60J: Flat ribbon cable (20 pins, PC wiring)



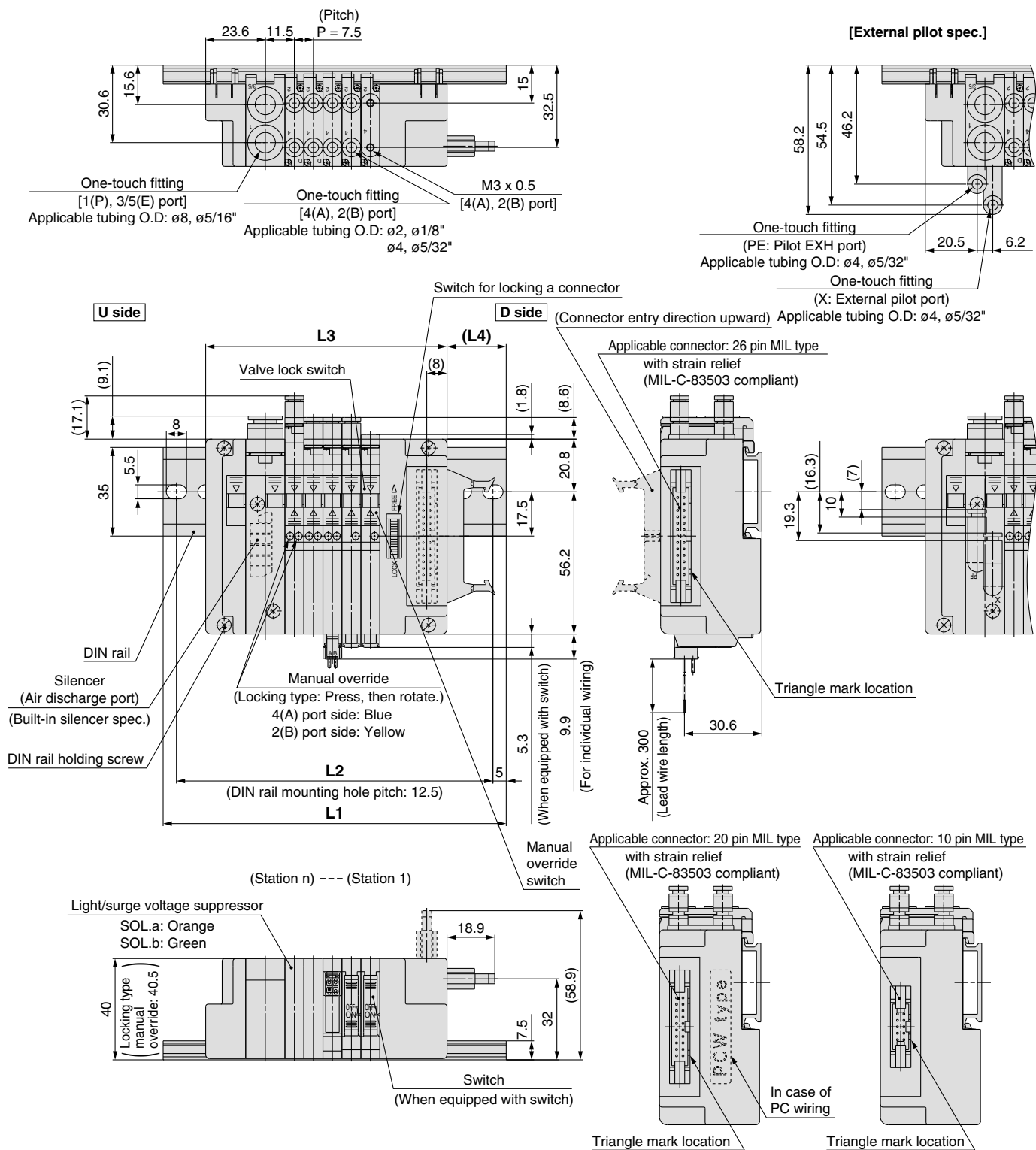
⚠ Caution

When the non-polar U type valves are used, either negative COM or positive COM wiring of the manifold is possible. However, the valve does not switch with negative COM if a Z type is used. Be sure to use positive COM.

Series SJ2000/3000

Dimensions: SJ2000 for Flat Ribbon Cable / PC Wiring

SS5J2-60^PD₂- Stations U (S, R, RS)



L: Dimensions

| L \ n | 2 | 3 | 4 | 5 | 6 | 7 | 8 | 9 | 10 |
|-------|-------|-------|-------|-------|-------|-------|-------|-------|-------|
| L1 | 110.5 | 110.5 | 123 | 135.5 | 135.5 | 148 | 148 | 160.5 | 173 |
| L2 | 100 | 100 | 112.5 | 125 | 125 | 137.5 | 137.5 | 150 | 162.5 |
| L3 | 72.8 | 80.3 | 87.8 | 95.3 | 102.8 | 110.3 | 117.8 | 125.3 | 132.8 |
| L4 | 22 | 18.5 | 21 | 23.5 | 19.5 | 22 | 18.5 | 21 | 23.5 |

n: Stations

In case of 60^{PG} (20 pins)

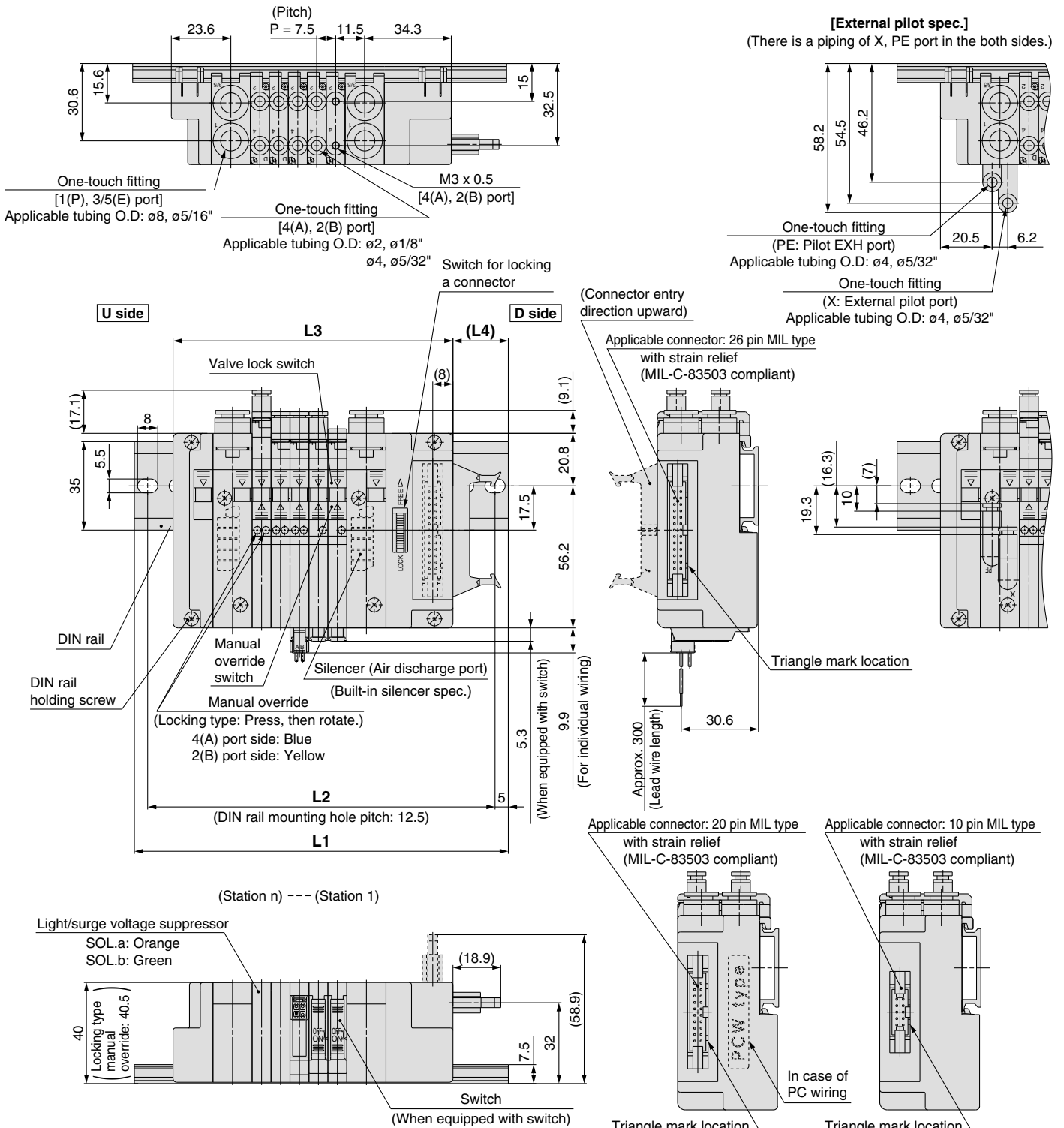
In case of 60PH (10 pins)

Note 1) Type 60PG, 60PH and 60J differ only in their connectors, and the L1 through L4 dimensions are the same as type 60P.

Note 2) For manifold dimensions including elbow fitting, refer to page 23.

Dimensions: SJ2000 for Flat Ribbon Cable / PC Wiring

SS5J2-60^PD₂- Stations B (S, R, RS)



In case of 60^{PG} (20 pins) In case of 60^{PH} (10 pins)

Note 1) Type 60PG, 60PH and 60J differ only in their connectors, and the L1 through L4 dimensions are the same as type 60P.

Note 2) For manifold dimensions including elbow fitting, refer to page 23.

L: Dimensions

| L \ n | 2 | 3 | 4 | 5 | 6 | 7 | 8 | 9 | 10 | 11 | 12 | 13 | 14 | 15 | 16 | 17 | 18 | 19 | 20 | 21 | 22 | 23 | 24 |
|-----------|-------|-------|-------|-------|-------|-------|-------|-------|-------|-------|-------|-------|-------|-------|-------|-------|-------|-------|-------|-------|-------|-------|-------|
| L1 | 123 | 135.5 | 135.5 | 148 | 148 | 160.5 | 173 | 173 | 185.5 | 185.5 | 198 | 210.5 | 210.5 | 223 | 223 | 235.5 | 248 | 248 | 260.5 | 260.5 | 273 | 285.5 | 285.5 |
| L2 | 112.5 | 125 | 125 | 137.5 | 137.5 | 150 | 162.5 | 162.5 | 175 | 175 | 187.5 | 200 | 200 | 212.5 | 212.5 | 225 | 237.5 | 237.5 | 250 | 250 | 262.5 | 275 | 275 |
| L3 | 88.3 | 95.8 | 103.3 | 110.8 | 118.3 | 125.8 | 133.3 | 140.8 | 148.3 | 155.8 | 163.3 | 170.8 | 178.3 | 185.8 | 193.3 | 200.8 | 208.3 | 215.8 | 223.3 | 230.8 | 238.3 | 245.8 | 253.3 |
| L4 | 20.5 | 23 | 19.5 | 22 | 18 | 20.5 | 23 | 19.5 | 22 | 18 | 20.5 | 23 | 19.5 | 22 | 18 | 20.5 | 23 | 19.5 | 22 | 18 | 20.5 | 23 | 19.5 |

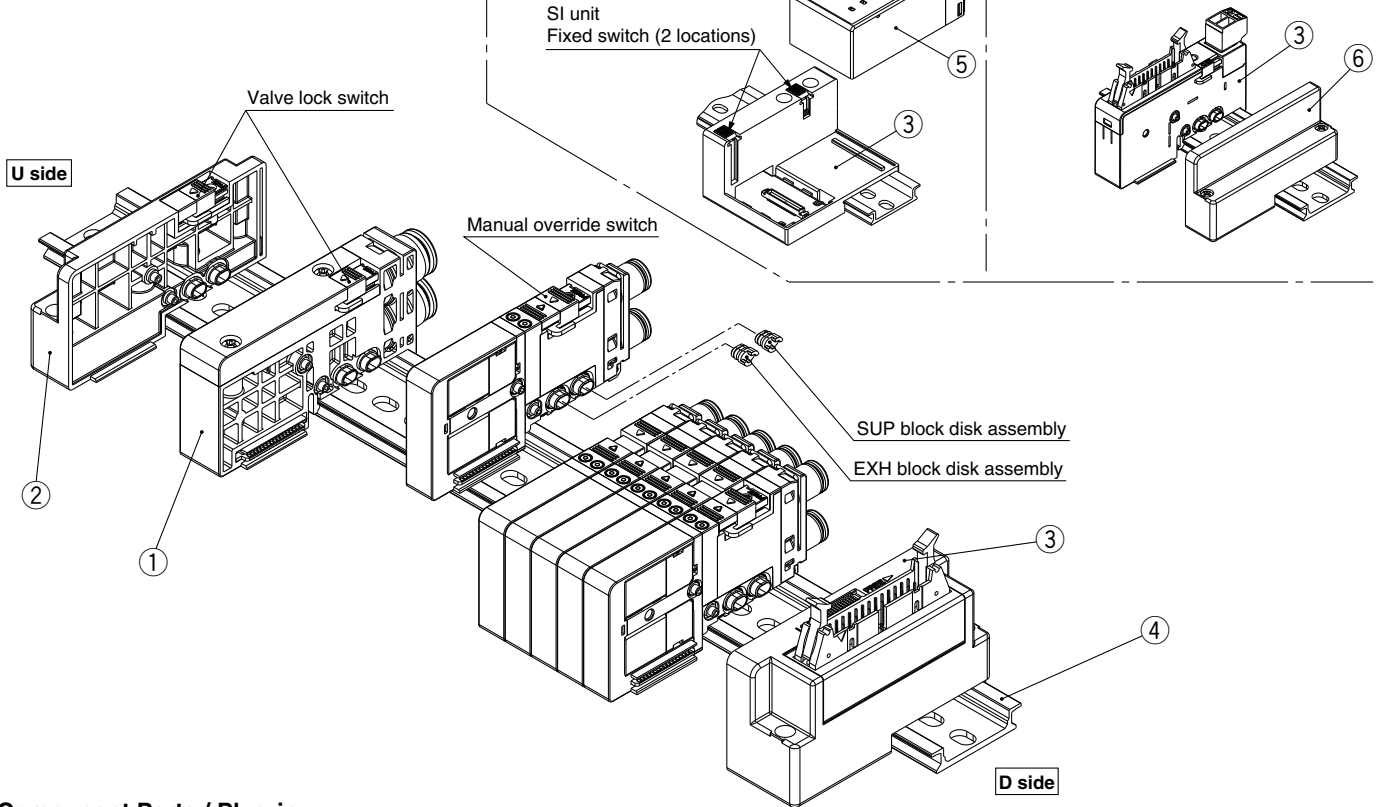
n: Stations

Manifold Exploded View

Type 60P (Flat ribbon cable)
manifold

Type 60S (Plug-in,
EX180 Serial wiring)
manifold

Type 60G (Plug-in,
PC wiring with power
supply terminal) manifold



Component Parts / Plug-in

| No. | Description | Part no. | Note |
|-----|--|--|---|
| 1 | Internal pilot | SJ3000-50-1A-□□ | (Metric size) C6: With ø6 one-touch fitting (straight) C8: With ø8 one-touch fitting (straight) L6: With ø6 one-touch fitting (elbow upward entry) L8: With ø8 one-touch fitting (elbow upward entry) B6: With ø6 one-touch fitting (elbow downward entry) B8: With ø8 one-touch fitting (elbow downward entry) |
| | Internal pilot / Built-in silencer | SJ3000-50-1AS-□□ | |
| | External pilot | SJ3000-50-1AR-□□ (X, PE port: Metric size ø4 Inch size ø5/32") | |
| | External pilot / Built-in silencer | SJ3000-50-1ARS-□□ (X port: Metric size ø4 Inch size ø5/32") | |
| | For different pressures, internal pilot ^{Note 1)} | SJ3000-50-3A-□□ | |
| | For different pressures ^{Note 1)} Internal pilot / Built-in silencer | SJ3000-50-3AS-□□ | |
| 2 | End block assembly | SJ3000-53-1A | For U side |
| 3 | Connector block assembly | SJ3000-42-□A-□ SJ3000-76-2A-□ | Refer to the connector block assembly part no. shown below. |
| 4 | DIN rail | VZ1000-11-1-□ | Refer to page 61. |
| 5 | SI unit | EX180-□□ | Refer to the SI unit part numbers on page 34. |
| 6 | End block assembly | SJ3000-53-2A | For D side |

Note 1) The valves cannot be operated only with the SUP/EXH block assembly for different pressure, select them in combination with the SUP/EXH block assembly for internal/external pilot.

Note 2) Refer to page 60 about the SUP/EXH block disk assembly and method of handling of parts at different pressures.

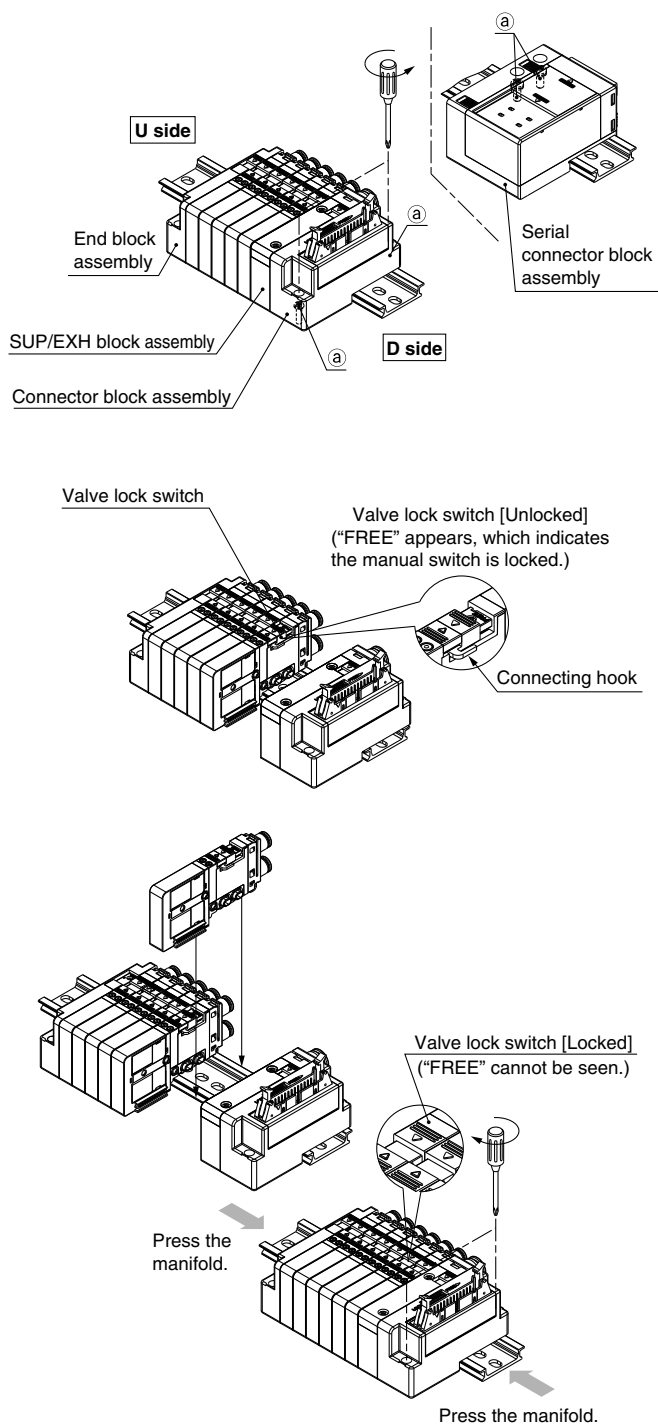
Connector Block Assembly Part No.

| Connector specifications | Mounting position | Part no. | Note |
|---|-------------------|-----------------|---|
| For D-sub connector | D side | SJ3000-42-1A-□ | □: 1 (Connector upward) □: 2 (Connector lateral) |
| For flat ribbon cable 26 pins | | SJ3000-42-2A-□ | |
| For flat ribbon cable 20 pins | | SJ3000-42-3A-□ | |
| For flat ribbon cable 10 pins | | SJ3000-42-4A-□ | |
| For PC wiring 20 pins | | SJ3000-42-6A-□ | |
| For EX180 serial wiring ^{Note)} | | SJ3000-42-5A | |
| For PC wiring 20 pins with power supply terminal | | SJ3000-76-2A-05 | |

Note) SI unit is not included.

Series SJ2000/3000

How to Add Manifold Stations

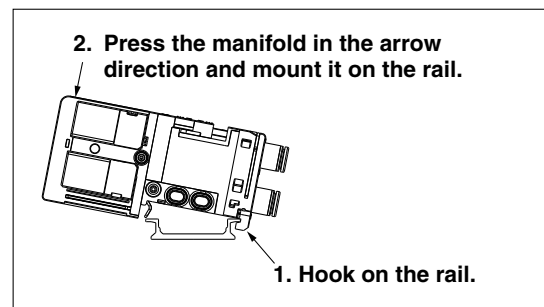


1 Loosen threads (a), which are fixed onto the DIN rail (two locations on one side).

2 In the direction of the coil, slide the valve where the station is desired to add and the valve lock switch on each block.

(If blocks are removed without completely releasing the valve lock switch, the connection hook of that switch could be damaged or deformed.)

3 Install an additional valve or an SUP/EXH assembly on the DIN rail.



A manifold equipped with a valve or a block assembly can be mounted on the DIN rail. However, a serial connector block assembly cannot be mounted on the DIN rail when it is connected with another block; the serial connector block must be mounted separately.

4 Press the valves and block assemblies to each other for connection. Press the valve lock switch in the cylinder port direction until it does not go any further. Fasten threads (a) onto the DIN rail.

(After fixing the connector block assembly, fasten the threads onto the end block assembly while holding it lightly by hand. This is necessary to improve sealing.)

Caution (D-sub, Connector block assembly for flat ribbon cable, End block assembly M3: 0.6 N·m
Connector block assembly for EX180 serial wiring M4: 1.4 N·m
Mounting bracket for EX510 serial wiring M4: 0.6 N·m)

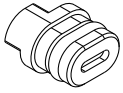
Caution

- When increasing the number of stations from 10 or below to 11 or above, increase the number of SUP/EXH assemblies as well.
- Be sure to turn off the power and stop the supply of air before disassembly. Furthermore, since air may remain inside the actuator, piping and manifold, confirm that the air is completely exhausted before performing any work.
- After assembly and disassembly, air leakage could occur if blocks are not well connected or a thread is not tightly fastened onto the end block assembly. Before supplying air, make sure that no gaps exist in between blocks and that the valve and block are tightly fastened onto the DIN rail. Also, make sure that air is not leaking before use.
- For the SJ3A6 series manifold with vacuum release valve with restrictor, there is no valve lock switch for connecting, so when mounting, tighten the screws after checking that there are no gaps between valves.

Series SJ2000/3000 Manifold Options

■ SUP block disk assembly

By placing a SUP block disk in a manifold valve's pressure supply passage, two different high and low pressures can be supplied to one manifold. When supplying different pressures using the manifold of the internal pilot, fill out a manifold specification sheet to place an order for an SUP/EXH assembly for the internal pilot specifications and another SUP/EXH assembly for the different-pressure internal pilot specifications (Refer to Circuit Diagram 1).

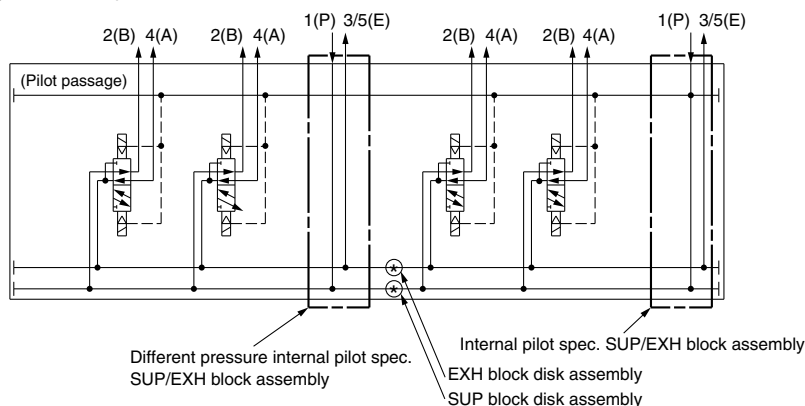


| Series | Part no. |
|--------|--------------|
| SJ2000 | SJ3000-44-1A |
| SJ3000 | |

[Different pressure pneumatic circuit diagram]

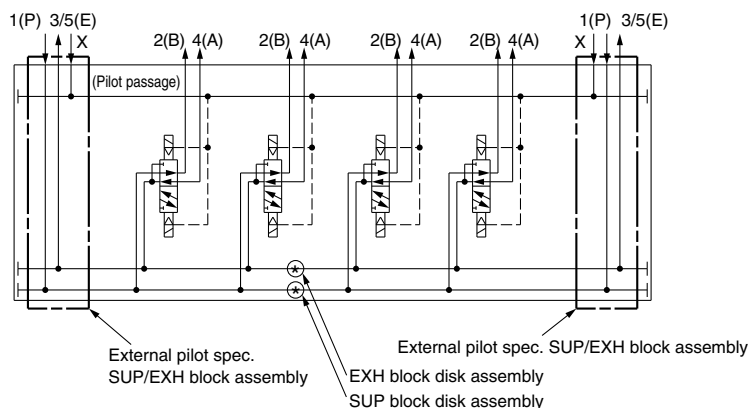
• The SJ series supplies air to the pilot port of each valve using a 1(P) port of the SUP/EXH block assembly. When using in situations such as where there are different pressures, combine SUP/EXH block assemblies for internal pilot, external pilot and different-pressure by referring to the circuit below.

1. Different-pressure spec. using the internal pilot



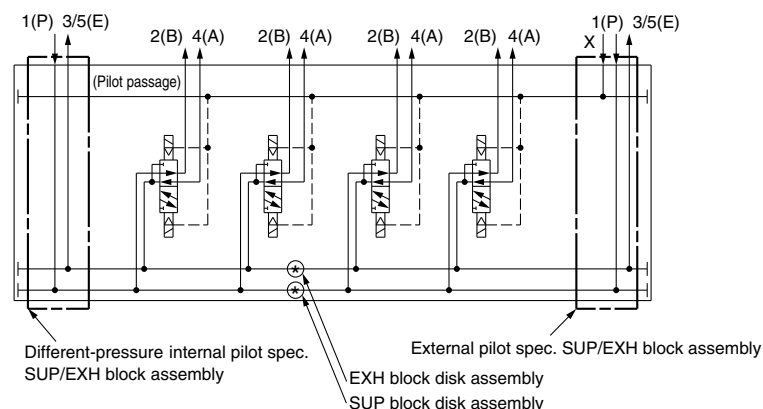
2. Different-pressure spec. using the external pilot

(For using the SUP/EXH block assembly for external pilot)



3. Different-pressure spec. using the external pilot

(For using the SUP/EXH block assembly for different-pressure internal pilot spec.)

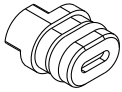


Note 1) When operating under the different-pressure spec., supply the higher pressure to the pilot passage.

Note 2) If there is a need to partition the pilot passage, consult SMC.

EXH block disk assembly

By installing an EXH block disk in a manifold valve's exhaust passage, the valve's exhaust can be separated so that it will not affect other valves.



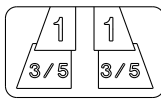
| Series | Part no. |
|--------|---------------------|
| SJ2000 | SJ3000-44-1A |
| SJ3000 | |

Label for block disk

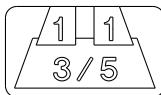
These labels are attached to manifolds in which SUP and EXH block disks have been installed, in order to identify the installed locations. (Three sheets each included.)

SJ3000-155-1A

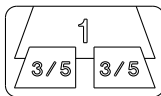
Label for SUP/EXH block disk



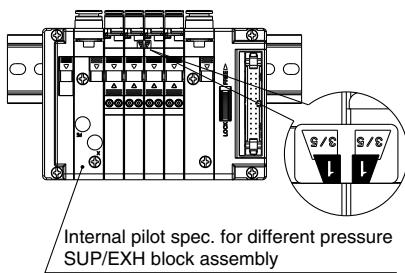
Label for SUP block disk



Label for EXH block disk

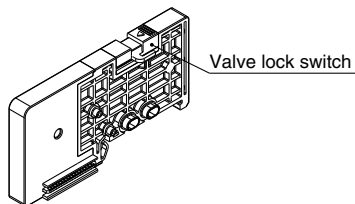


* When a block disk is concurrently ordered by specifying on the manifold specification sheet, etc., a label will be stuck on the position where block disk is mounted.



Blanking block assembly

These are mounted when later addition of valves is planned, etc.

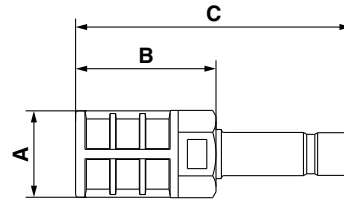


| Series | Part no. | Note | Width |
|--------|-----------------------|----------------------|--------|
| SJ2000 | SJ3000-49-1A | Single wiring | 7.5 mm |
| SJ3000 | SJ3000-49-2A | Double wiring | |
| SJ3A6 | SJ3000-49-2A-N | Double wiring (Note) | |

Note) Valve lock switch is not available for the SJ3A6.

Silencer with one-touch fitting

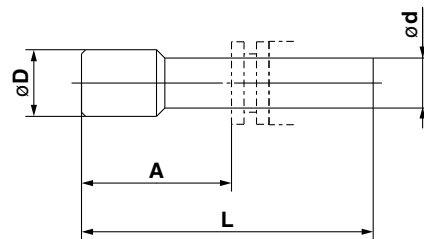
This silencer can be mounted on the manifolds' port 3/5 (E: Exhaust) with a single touch.



| Series | Model | Effective area | A | B | C |
|---------------------------|------------------|--------------------|-----|----|----|
| For SJ2000 SJ3000 (ø8) | AN203-KM8 | 14 mm ² | ø16 | 26 | 51 |

Plug

These are inserted in unused cylinder ports and P, E ports.



Dimensions

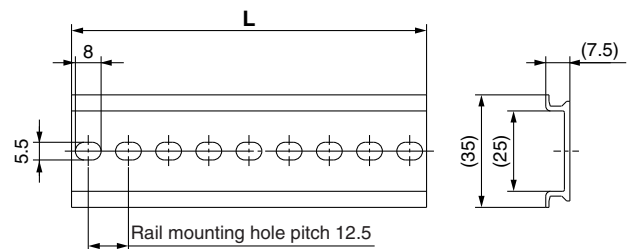
| Applicable fitting size ød | Model | A | L | D |
|-------------------------------|----------------|------|------|-----|
| 2 | KJP-02 | 8.2 | 17 | 3 |
| 4 | KQ2P-04 | 16 | 32 | 6 |
| 6 | KQ2P-06 | 18 | 35 | 8 |
| 8 | KQ2P-08 | 20.5 | 39 | 10 |
| 1/8" | KQ2P-01 | 16 | 31.5 | 5 |
| 5/32" | KQ2P-03 | 16 | 32 | 6 |
| 1/4" | KQ2P-07 | 18 | 35 | 8.5 |
| 5/16" | KQ2P-09 | 20.5 | 39 | 10 |

DIN rail

VZ1000-11-1-

• L dimension

* Enter a number from the DIN rail dimension table shown below.



| No. | 0 | 1 | 2 | 3 | 4 | 5 | 6 | 7 | 8 | 9 |
|-------------|------|-------|------|-------|------|-------|------|-------|------|-------|
| L dimension | 98 | 110.5 | 123 | 135.5 | 148 | 160.5 | 173 | 185.5 | 198 | 210.5 |
| Weight (g) | 17.6 | 19.9 | 22.1 | 24.4 | 26.6 | 28.9 | 31.1 | 33.4 | 35.6 | 37.9 |

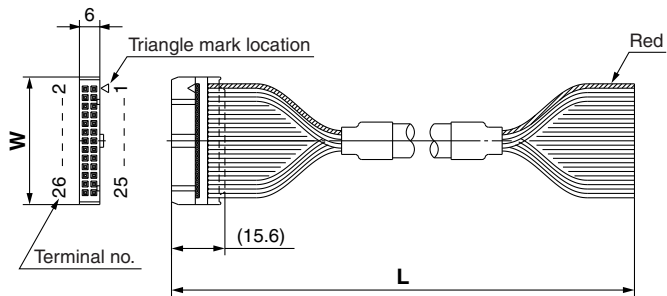
| No. | 10 | 11 | 12 | 13 | 14 | 15 | 16 | 17 | 18 | 19 |
|-------------|------|-------|------|-------|------|-------|------|-------|------|-------|
| L dimension | 223 | 235.5 | 248 | 260.5 | 273 | 285.5 | 298 | 310.5 | 323 | 335.5 |
| Weight (g) | 40.1 | 42.4 | 44.6 | 46.9 | 49.1 | 51.4 | 53.6 | 55.9 | 58.1 | 60.4 |

| No. | 20 | 21 | 22 | 23 | 24 | 25 | 26 | 27 | 28 | 29 |
|-------------|------|-------|------|-------|------|-------|------|-------|------|-------|
| L dimension | 348 | 360.5 | 373 | 385.5 | 398 | 410.5 | 423 | 435.5 | 448 | 460.5 |
| Weight (g) | 62.6 | 64.9 | 67.1 | 69.4 | 71.6 | 73.9 | 76.1 | 78.4 | 80.6 | 82.9 |

Series SJ2000/3000

Flat ribbon cable assembly

AXT100-FC□¹₂³



Flat Ribbon Cable Assembly

| Cable length (L) | 10 pins | 20 pins | 26 pins |
|---------------------|---------------|---------------|---------------|
| 1.5 m | AXT100-FC10-1 | AXT100-FC20-1 | AXT100-FC26-1 |
| 3 m | AXT100-FC10-2 | AXT100-FC20-2 | AXT100-FC26-2 |
| 5 m | AXT100-FC10-3 | AXT100-FC20-3 | AXT100-FC26-3 |
| Connector width (W) | 17.2 | 30 | 37.5 |

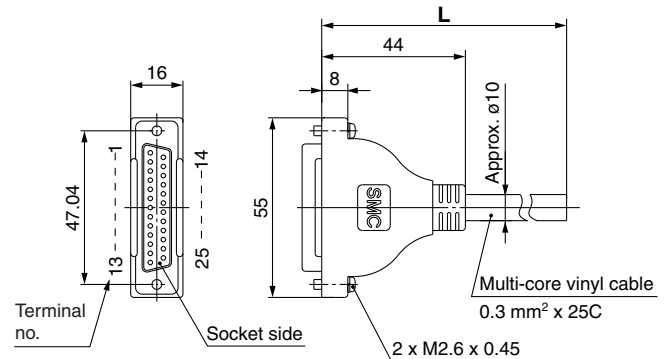
* For other commercial connectors, use a type with strain relief that conforms to MIL-C-83503.

Connector manufacturers:

- Hirose Electric Co., Ltd.
- Sumitomo 3M Limited
- Fujitsu Limited
- Japan Aviation Electronics Industry, Ltd.
- J.S.T. Mfg. Co., Ltd.

D-sub connector (25 pins)/Cable assembly

AXT100-DS25-⁰¹⁵₀₃₀⁰⁵⁰



D-sub Connector Cable Assembly

Cable Color List of Each Terminal No.

| Terminal no. | Lead wire color | Dot marking |
|--------------|-----------------|-------------|
| 1 | Black | None |
| 2 | Brown | None |
| 3 | Red | None |
| 4 | Orange | None |
| 5 | Yellow | None |
| 6 | Pink | None |
| 7 | Blue | None |
| 8 | Purple | White |
| 9 | Gray | Black |
| 10 | White | Black |
| 11 | White | Red |
| 12 | Yellow | Red |
| 13 | Orange | Red |
| 14 | Yellow | Black |
| 15 | Pink | Black |
| 16 | Blue | White |
| 17 | Purple | None |
| 18 | Gray | None |
| 19 | Orange | Black |
| 20 | Red | White |
| 21 | Brown | White |
| 22 | Pink | Red |
| 23 | Gray | Red |
| 24 | Black | White |
| 25 | White | None |

D-sub Connector Cable Assembly

| Cable length (L) | Assembly part no. | Note |
|------------------|-------------------|------------------------|
| 1.5 m | AXT100-DS25-015 | Cable 25 cores x 24AWG |
| 3 m | AXT100-DS25-030 | |
| 5 m | AXT100-DS25-050 | |

* For other commercial connectors, use a 25 pins type with female connector conforming to MIL-C-24308.

Electric Characteristics

| Item | Characteristics |
|-------------------------------------|-----------------|
| Conductor resistance Ω/km, 20°C | 65 or less |
| Withstand pressure V, 1 min, AC | 1000 |
| Insulation resistance MΩkm, 20°C | 5 or less |

Note) The minimum bending radius for D-sub connector cables is 20 mm.

Connector manufacturers:

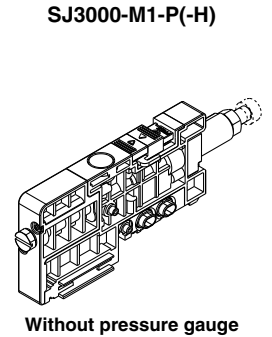
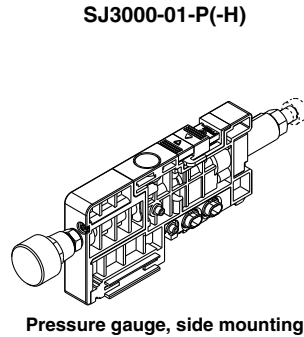
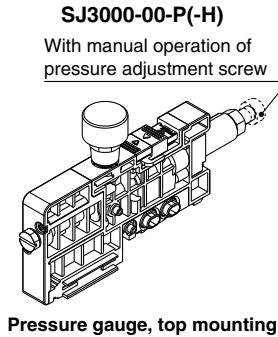
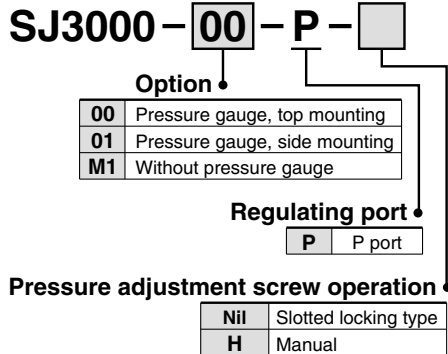
- Hirose Electric Co., Ltd.
- Fujitsu Limited
- Japan Aviation Electronics Industry, Ltd.
- J.S.T. Mfg. Co., Ltd.

4 Port Solenoid Valve Series SJ2000/3000

Regulator block

How to Order Regulator Block

This is used to reduce the pressure supplied from the D side inside the manifold.
All valves on the U side are depressurized from the regulator block.

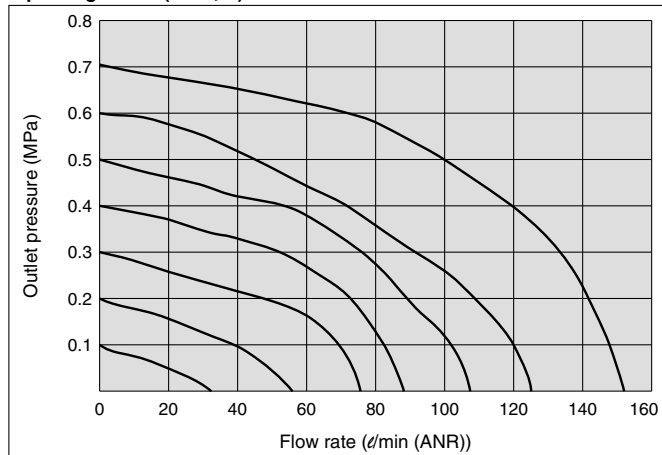


Note) When ordering with a regulator block installed in the manifold, please order using the manifold specification sheet.

Flow Characteristics (Conditions: Inlet pressure 0.7 MPa 2 position solenoid valve mounting)

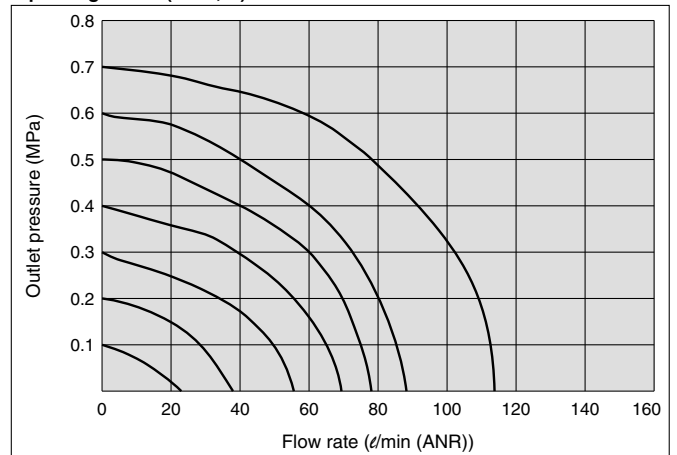
SJ3000

P port regulation (P→A, B)

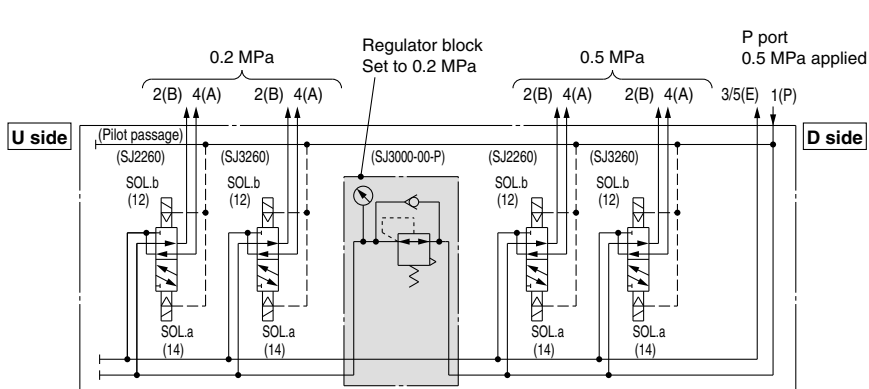


SJ2000

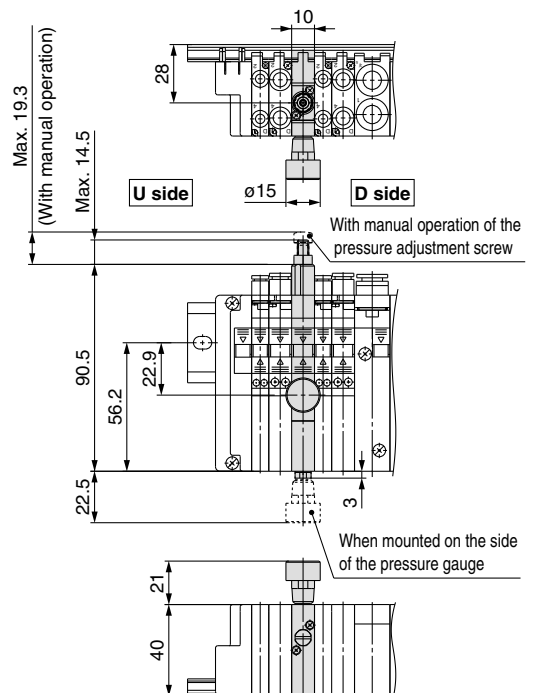
P port regulation (P→A, B)



Pneumatic circuit (Regulator block mounting example)



Note) Reduces supply pressure from the D side of manifold.
Supply pressure from the U side cannot be reduced.

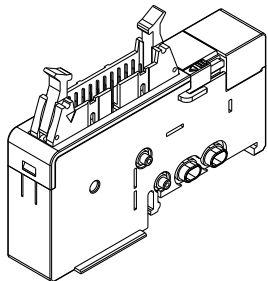


Series SJ2000/3000

Intermediate connector block assembly

This connector block can be used by inserting it into the middle of the manifold.

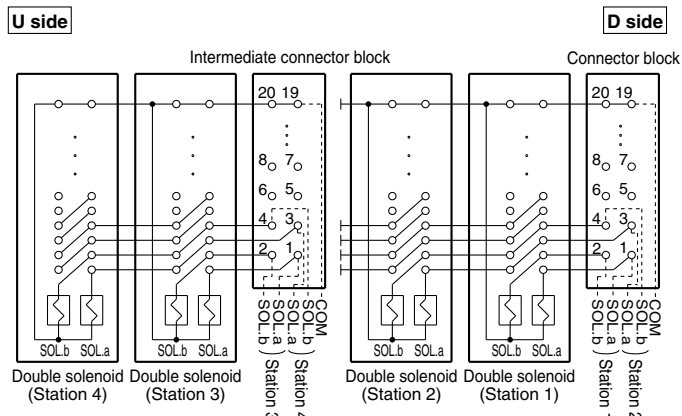
This can be used, for example, when you wish to separate electrical control of valves in the same manifold, or when the number of control points is insufficient.



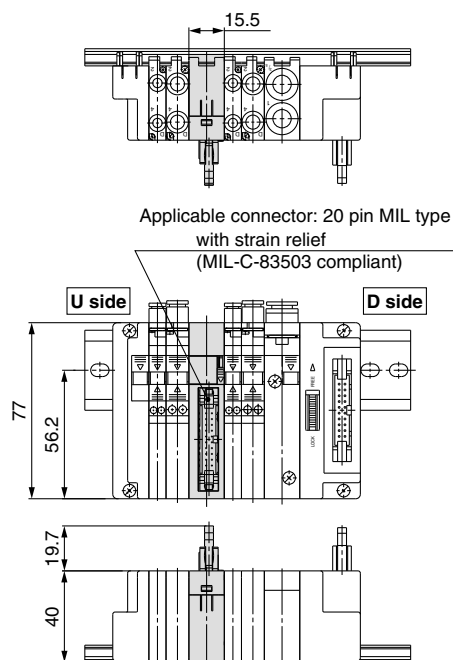
| Series | Part no. | Note |
|--------|------------------------|--|
| SJ2000 | SJ3000-76-1A | |
| SJ3000 | SJ3000-76-2A-05 | With power supply terminal (for PC wiring) |

(Note) When ordering with an intermediate connector block assembly installed in the manifold, please order using the manifold specification sheet.

Intermediate connector block assembly wiring example



* Enables control of U side solenoid valves from the position where the intermediate connector block assembly is installed.



Dual flow fitting (Set for SJ3000 series)

SJ3000-120-1A-C8

● Port size

| | |
|-----------|--------|
| C8 | ø8 |
| N9 | ø5/16" |

This is a fitting for cylinder ports which enables simultaneous actuation and increase in flow rate of valves for 2 stations. This is a one-touch fitting with port sizes of ø8 and ø5/16".

* When arranging mounted to the valve, arrange the valve part no. using the part no. without the one-touch fitting, and then add the part no. for the dual flow fitting. If the arrangement is complicated, please specify them by means of the manifold specification sheet.

Example) Valve type (without one-touch fitting)

SJ3160-5CU-CO 2 sets

* SJ3000-120-1A-C8 1 set

