

# Series SQ1000 Plug-in Unit

## How to Order Manifold

SS5Q13 — **08** **FD2** — **D** **□**

### Stations

01	1 station
⋮	⋮
24 <sup>Note1)</sup>	24 stations

Note) The maximum number of stations depends on the type of electrical entries.

### Option

Nil	None
02 to 24 <sup>(1)</sup>	DIN rail length specified
B	Back pressure check valve
K <sup>(2)</sup>	Special wiring specifications (Except double wiring)
N	With name plate (Side ported only)
R	External pilot specifications
S	Built-in silencer, direct exhaust

Note 1) Specify DIN rail length with "D□" at the end. (Enter the number of stations inside □.) Example: -D08

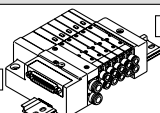
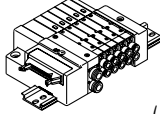
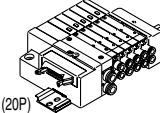
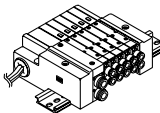
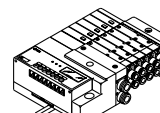
Note 2) Standard wiring specifications are for double wiring. Indicate wiring specifications for single wiring or mixed single and double wiring, or when exceeding the standard maximum number of stations. (Except L kit.)

Note 3) For specifying two or more options, enter them alphabetically. Example: -BKN

### Manifold mounting

D	DIN rail mounting style
E	Direct mounting style

### Electrical entry

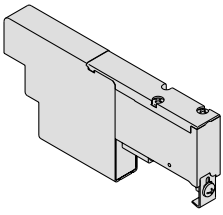
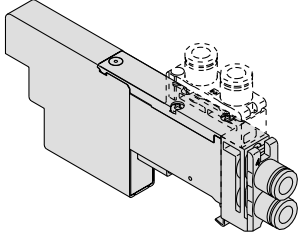
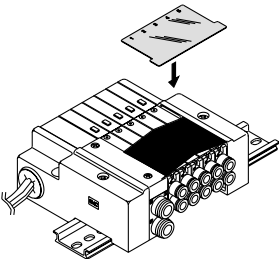
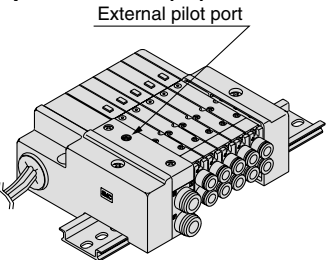
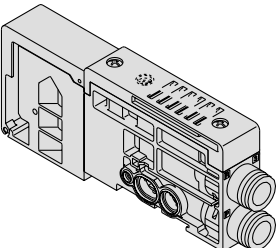
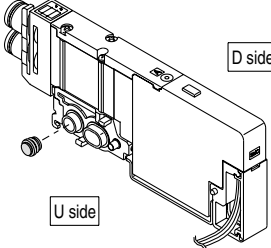
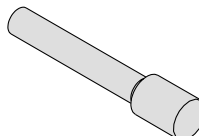
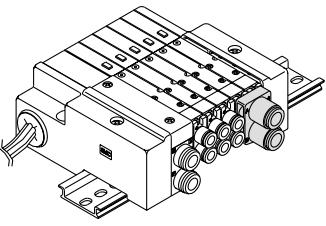
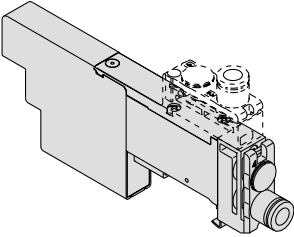
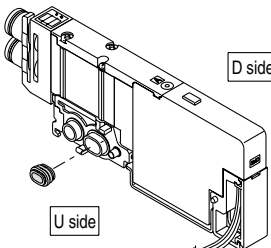
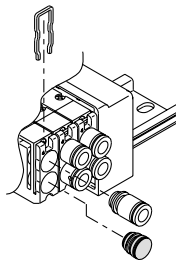
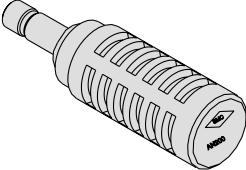
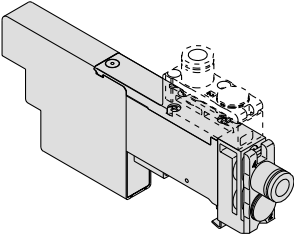
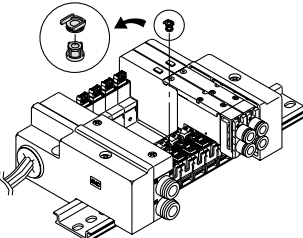
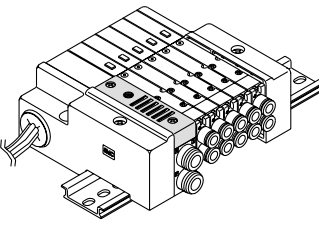
Kit type	Lead wire connector location	Cable specifications	Station	Max. number of stations for special wiring specifications	Max. number of solenoids <sup>(2)</sup>
<b>F</b> kit  D-sub connector kit	<b>FD0</b>	D side	1 to 12 stations	24 stations	24
	<b>FD1</b>	D-sub connector (25P) kit, without cable			
	<b>FD2</b>	D-sub connector (25P) kit, with 1.5 m cable			
	<b>FD3</b>	D-sub connector (25P) kit, with 3.0 m cable			
<b>P</b> kit  Flat ribbon cable connector kit (26P/20P)	<b>PD0</b>	D side <sup>(1)</sup>	1 to 12 stations	24 stations	24
	<b>PD1</b>	Flat ribbon cable (26P) kit, without cable			
	<b>PD2</b>	Flat ribbon cable (26P) kit, with 1.5 m cable			
	<b>PD3</b>	Flat ribbon cable (26P) kit, with 3.0 m cable			
	<b>PDC</b>	Flat ribbon cable (26P) kit, with 5.0 m cable			
<b>J</b> kit  Flat ribbon cable (20P) (PC Wiring System compatible)	<b>JD0</b>	D side	1 to 9 stations	18 stations	18
<b>L</b> kit  Lead wire kit	<b>LD0</b>	D side	1 to 12 stations	—	—
	<b>LU0</b>	U side			
	<b>LD1</b>	D side			
	<b>LU1</b>	U side			
	<b>LD2</b>	D side			
	<b>LU2</b>	U side			
<b>S</b> kit  Serial transmission kit	<b>SDF</b>	D side	1 to 8 stations	16 stations	16
	<b>SDH</b>				
	<b>SDJ1</b>		NKE Corp.: Uni-wire H System		
	<b>SDJ2</b>		SUNX Corp.: S-LINK System (16 output points)		
	<b>SDQ</b>		SUNX Corp.: S-LINK System (8 output points)		
	<b>SDR1</b>		DeviceNet, CompoBus/D (OMRON Corp.)		
	<b>SDR2</b>		1 to 8 stations	16 stations	16
	<b>SDV</b>		OMRON Corp.: CompoBus/S System (16 output points)		
	OMRON Corp.: CompoBus/S System (8 output points)	1 to 4 stations	8 stations	8	
	Mitsubishi Electric Corp.: CC-LINK System	1 to 8 stations	16 stations	16	

Note 1) Separately order the 20P type cable assembly for the P kit.

Note 2) The maximum number of stations should not be more than the maximum number of solenoids. (The number of solenoids are counted as: 1 for single solenoids and 2 for type 3P and 4P double solenoids.)

# Series SQ1000

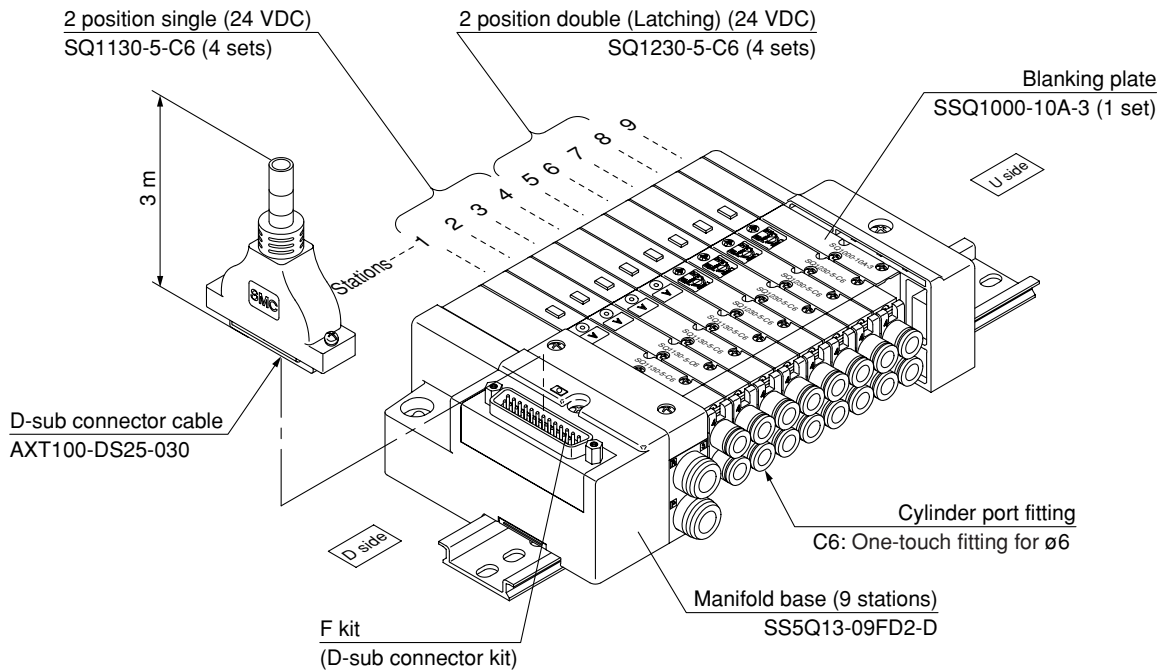
## Manifold Option

<p><b>Blanking plate</b> P. 2-3-44 <b>SSQ1000-10A-3</b></p> 	<p><b>Individual SUP/EXH spacer</b> P. 2-3-45 <b>SSQ1000-PR1-3-<sup>C6</sup><sub>L6</sub></b></p> 	<p><b>Name plate (-N)</b> P. 2-3-47 <b>SSQ1000-N3-n</b></p> 	<p><b>External pilot specifications (-R)</b> P. 2-3-48</p> <p>External pilot port</p> 																																										
<p><b>SUP/EXH block</b> P. 2-3-44 <b>SSQ1000-PR-3-C8 (-S)</b></p> 	<p><b>SUP block plate</b> P. 2-3-46 <b>SSQ1000-B-P</b></p> <p>D side</p> <p>U side</p> 	<p><b>Blanking plug</b> P. 2-3-47 <b>KQ2P-23/04/06/08</b></p> 	<p><b>Dual flow fitting</b> P. 2-3-48 <b>SSQ1000-52A-<sup>C8</sup><sub>N9</sub></b></p> 																																										
<p><b>Individual SUP spacer</b> P. 2-3-44 <b>SSQ1000-P-3-<sup>C6</sup><sub>L6</sub></b></p> 	<p><b>EXH block plate</b> P. 2-3-46 <b>SSQ1000-B-R</b></p> <p>D side</p> <p>U side</p> 	<p><b>Port plug</b> P. 2-3-47 <b>VVQZ100-CP</b></p> 	<p><b>Silencer (For EXH port)</b> P. 2-3-48</p> 																																										
<p><b>Individual EXH spacer</b> P. 2-3-45 <b>SSQ1000-R-3-<sup>C6</sup><sub>L6</sub></b></p> 	<p><b>Back pressure check valve (-B)</b> P. 2-3-46 <b>SSQ1000-BP</b></p> 	<p><b>Built-in silencer (-S)</b> P. 2-3-47</p> 	<p><b>Special wiring specifications (-K)</b> P. 2-3-49</p> <p>D-sub connector</p> <table border="0"> <tr> <td>Terminal no.</td> <td></td> <td></td> </tr> <tr> <td>14 0</td> <td>01</td> <td>SOLA 1 (-)</td> </tr> <tr> <td>15 0</td> <td>02</td> <td>SOLA 14 (-)</td> </tr> <tr> <td>16 0</td> <td>03</td> <td>SOLA 2 (-)</td> </tr> <tr> <td>17 0</td> <td>04</td> <td>SOLA 3 (-)</td> </tr> <tr> <td>18 0</td> <td>05</td> <td>SOLA 15 (-)</td> </tr> <tr> <td>19 0</td> <td>06</td> <td>SOLA 16 (-)</td> </tr> <tr> <td>20 0</td> <td>07</td> <td>SOLA 4 (-)</td> </tr> <tr> <td>21 0</td> <td>08</td> <td>SOLA 5 (-)</td> </tr> <tr> <td>22 0</td> <td>09</td> <td>SOLA 17 (-)</td> </tr> <tr> <td>23 0</td> <td>10</td> <td>SOLA 18 (-)</td> </tr> <tr> <td>24 0</td> <td>11</td> <td>SOLA 6 (-)</td> </tr> <tr> <td>25 0</td> <td>12</td> <td>SOLA 19 (-)</td> </tr> <tr> <td></td> <td>13</td> <td>COM. 13 (+)</td> </tr> </table> <p>Connector terminal no.</p>	Terminal no.			14 0	01	SOLA 1 (-)	15 0	02	SOLA 14 (-)	16 0	03	SOLA 2 (-)	17 0	04	SOLA 3 (-)	18 0	05	SOLA 15 (-)	19 0	06	SOLA 16 (-)	20 0	07	SOLA 4 (-)	21 0	08	SOLA 5 (-)	22 0	09	SOLA 17 (-)	23 0	10	SOLA 18 (-)	24 0	11	SOLA 6 (-)	25 0	12	SOLA 19 (-)		13	COM. 13 (+)
Terminal no.																																													
14 0	01	SOLA 1 (-)																																											
15 0	02	SOLA 14 (-)																																											
16 0	03	SOLA 2 (-)																																											
17 0	04	SOLA 3 (-)																																											
18 0	05	SOLA 15 (-)																																											
19 0	06	SOLA 16 (-)																																											
20 0	07	SOLA 4 (-)																																											
21 0	08	SOLA 5 (-)																																											
22 0	09	SOLA 17 (-)																																											
23 0	10	SOLA 18 (-)																																											
24 0	11	SOLA 6 (-)																																											
25 0	12	SOLA 19 (-)																																											
	13	COM. 13 (+)																																											

Although the standard products come with double wiring, mixed single and double wiring is available upon request.

## How to Order Manifold Assembly (Example)

Example: D-sub connector kit, with cable (3 m)



VQC  
SQ  
VQ0  
VQ4  
VQ5  
VQZ  
VQD

SS5Q13-09FD2-D ..... 1 set (F kit 9 station manifold base)

\*SQ1130-5-C6 ..... 4 sets (2 position single)

\*SQ1230-5-C6 ..... 4 sets (2 position double [latching])

\*SSQ1000-10A-3 ..... 1 set (Blanking plate)

→ The asterisk denotes the symbol for assembly. Prefix it to the part nos. of the solenoid valve, etc.

Add the valve and option part numbers in order starting from the first station on the D side.  
When entry of part numbers becomes complicated, indicate on the manifold specification sheet.

## Manifold Specifications

Base model	Porting specifications			Applicable solenoid valve	Type of connection	Applicable station <sup>(3)</sup>	5 station weight (g) <sup>(4)</sup>	1 station weight (g) <sup>(4)</sup>				
	Port size <sup>(1)</sup>											
	1(P), 3(R)	4(A), 2(B)										
	Port location	Port size										
SS5Q13-□□□□	C8 (For ø8) Option Built-in silencer, direct exhaust	Side	C3 (For ø3.2) C4 (For ø4) C6 (For ø6) M5 (M5 thread)		SQ1□30 SQ1□31	F kit: D-sub connector		1 to 12 stations	420	20		
			Top <sup>(2)</sup>	L3 (For ø3.2) L4 (For ø4) L6 (For ø6) L5 (M5 thread)		P kit: Flat ribbon cable		26P 20P	1 to 12 stations 1 to 9 stations	420	20	
						J kit: Flat ribbon cable PC Wiring System compatible			1 to 8 stations	420	20	
						L kit: Lead wire			1 to 12 stations	460	35	
						S kit: Serial transmission			1 to 8 stations	475	20	

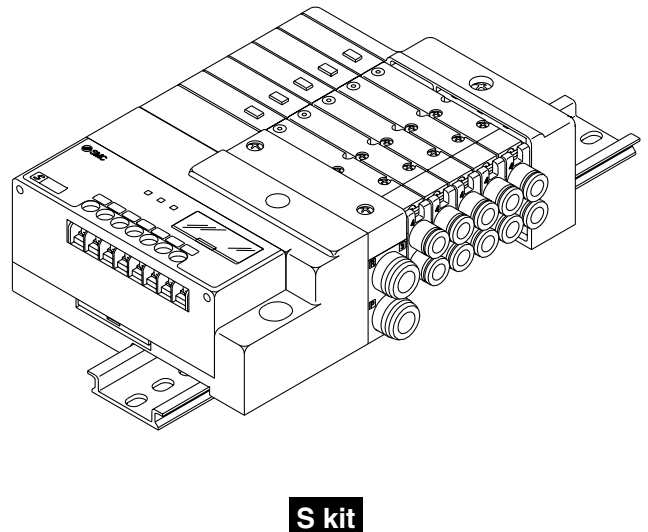
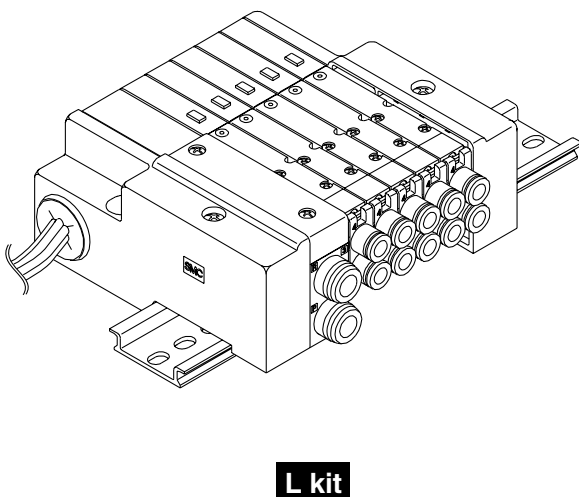
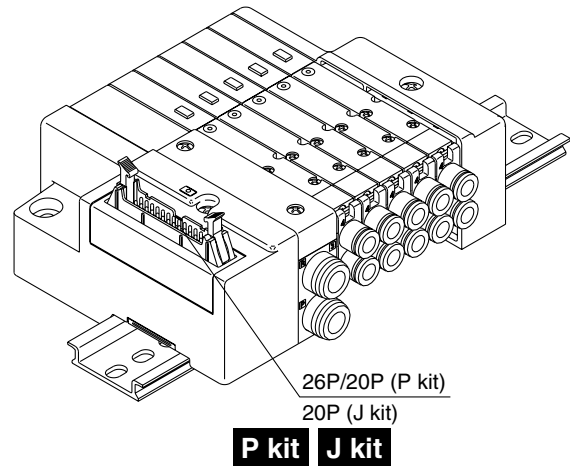
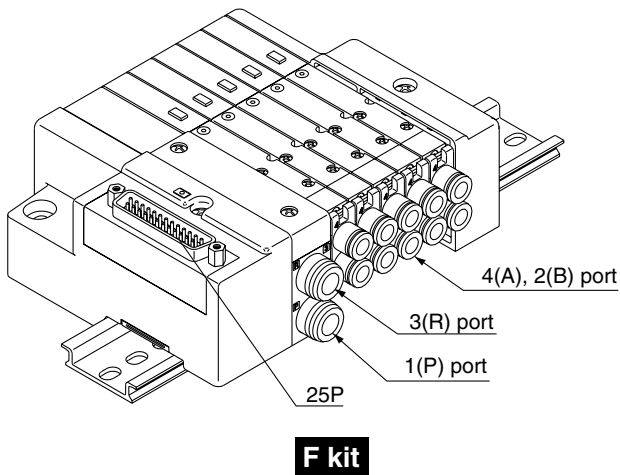


Note 1) One-touch fittings in inch sizes are also available. For details, refer to page 2-3-56.

Note 2) Can be changed to side ported configuration.

Note 3) An optional specification for special wiring is available to increase the maximum number of stations. Refer to page 2-3-54 for details.

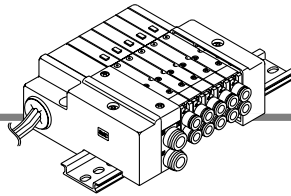
Note 4) Except valves. For valve weight, refer to page 2-3-10.



VQC  
SQ  
VQ0  
VQ4  
VQ5  
VQZ  
VQD

# Series SQ1000

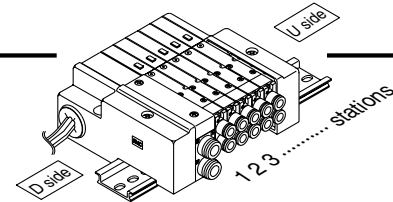
## L Kit (Lead wire cable)



### ● Direct electrical entry type

### Manifold Specifications

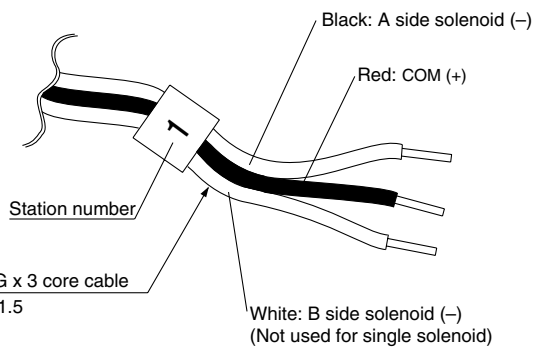
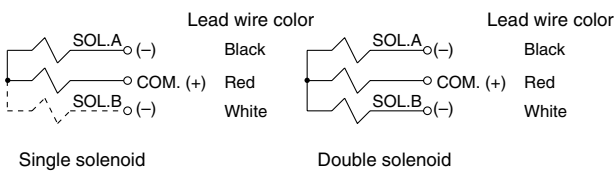
Series	Porting specifications		Maximum number of stations
	Port location	Port size	
SQ1000	Side, Top	1(P), 3(R)	4(A), 2(B)
		C8	C3, C4, C6, M5



\* Valves are numbered from the D side.

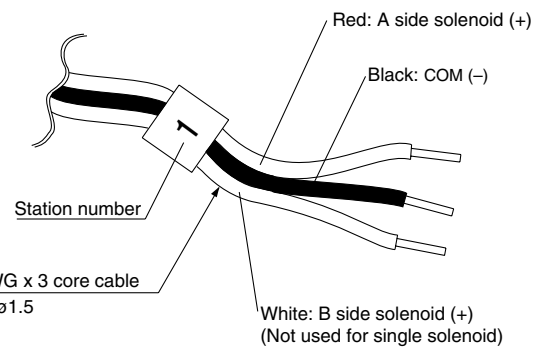
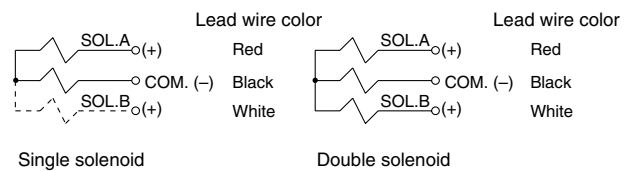
### ● Wiring Specifications: Positive COM Specifications

Three lead wires are included per station regardless of valves used. Among the three lead wires, the red wire is for COM.



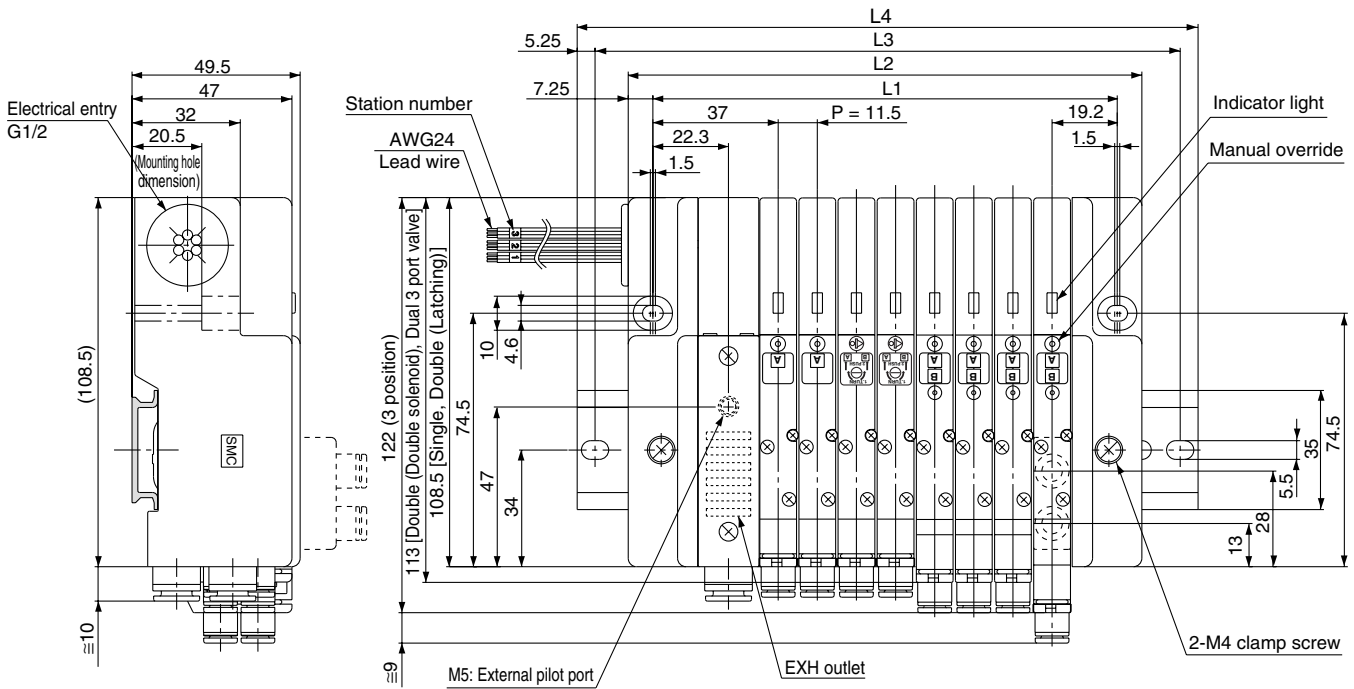
### ● Wiring Specifications: Negative COM Specifications (Option)

Three lead wires are included per station regardless of valves used. Among the three lead wires, the black wire is for COM.

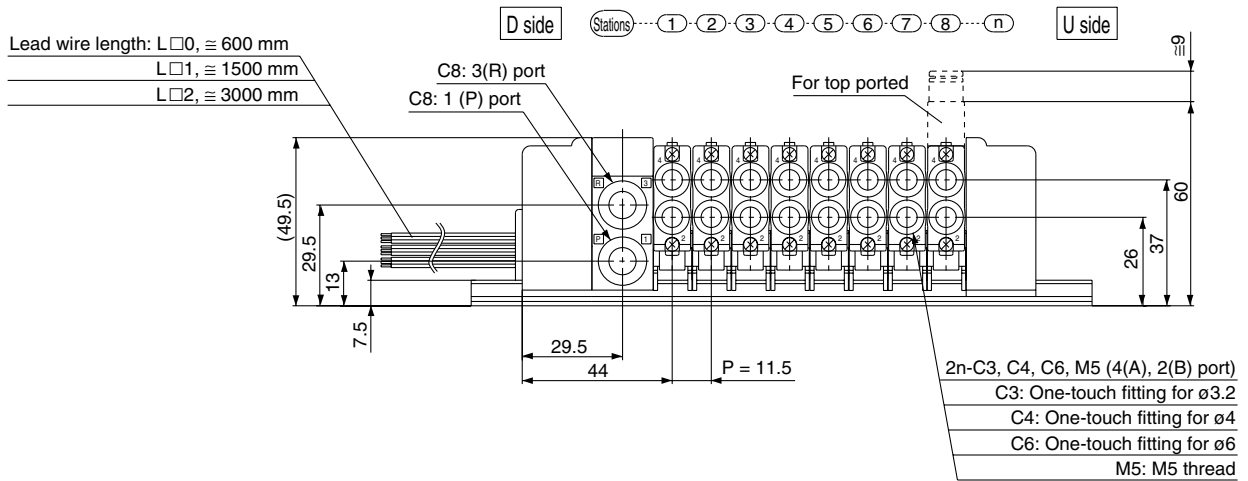


Note) When using the negative common specifications, use valves for negative common.

# Plug-in Unit Series SQ1000



- VQC
- SQ
- VQ0
- VQ4
- VQ5
- VQZ
- VQD



**Dimensions** Formula: L1 = 11.5n + 44.5, L2 = 11.5n + 59 n: Stations (Maximum 12 stations)

L \ n	1	2	3	4	5	6	7	8	9	10	11	12
L1	56	67.5	79	90.5	102	113.5	125	136.5	148	159.5	171	182.5
L2	70.5	82	93.5	105	116.5	128	139.5	151	162.5	174	185.5	197
L3	100	112.5	125	125	137.5	150	162.5	175	187.5	200	212.5	225
L4	110.5	123	135.5	135.5	148	160.5	173	185.5	198	210.5	223	235.5