

# Series SQ1000 Plug-in Unit

## How to Order Manifold

SS5Q13 — **08** **FD2** — **D** □

### Stations

01	1 station
⋮	⋮
24 <sup>Note1)</sup>	24 stations

Note) The maximum number of stations depends on the type of electrical entries.

### Option

Nil	None
02 to 24 <sup>(1)</sup>	DIN rail length specified
B	Back pressure check valve
K <sup>(2)</sup>	Special wiring specifications (Except double wiring)
N	With name plate (Side ported only)
R	External pilot specifications
S	Built-in silencer, direct exhaust

Note 1) Specify DIN rail length with "D□" at the end. (Enter the number of stations inside □.) Example: -D08

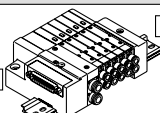
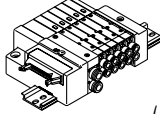
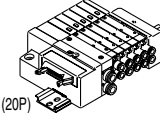
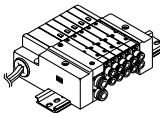
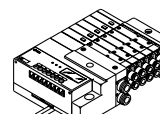
Note 2) Standard wiring specifications are for double wiring. Indicate wiring specifications for single wiring or mixed single and double wiring, or when exceeding the standard maximum number of stations. (Except L kit.)

Note 3) For specifying two or more options, enter them alphabetically. Example: -BKN

### Manifold mounting

D	DIN rail mounting style
E	Direct mounting style

### Electrical entry

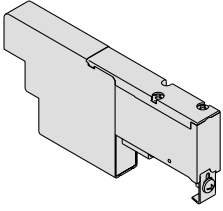
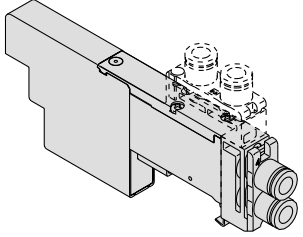
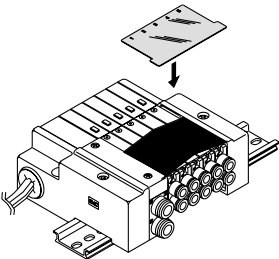
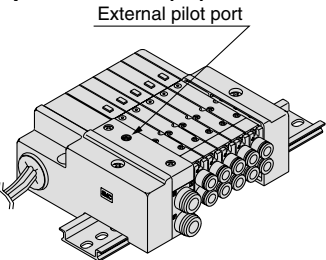
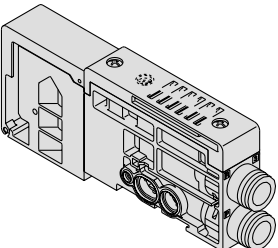
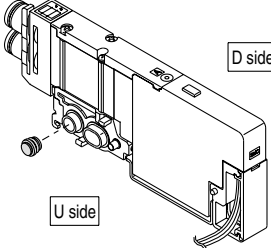
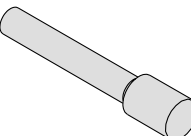
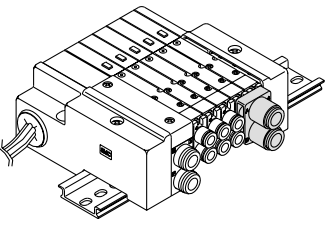
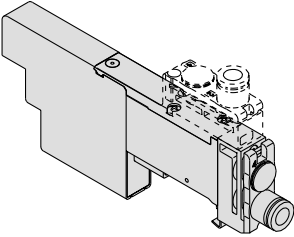
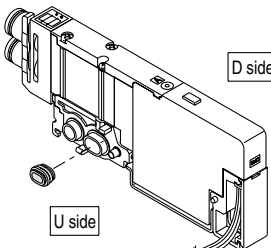
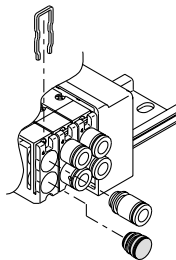
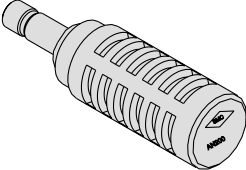
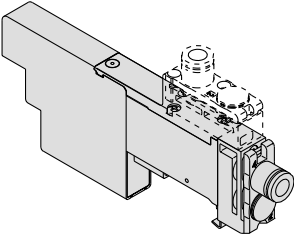
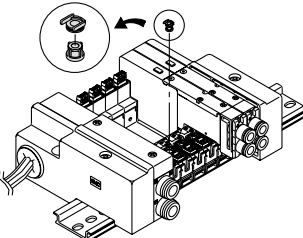
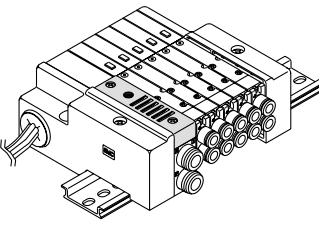
Kit type	Lead wire connector location	Cable specifications	Station	Max. number of stations for special wiring specifications	Max. number of solenoids <sup>(2)</sup>
<b>F</b> kit  D-sub connector kit	<b>FD0</b>	D side	1 to 12 stations	24 stations	24
	<b>FD1</b>	D-sub connector (25P) kit, without cable			
	<b>FD2</b>	D-sub connector (25P) kit, with 1.5 m cable			
	<b>FD3</b>	D-sub connector (25P) kit, with 3.0 m cable			
<b>P</b> kit  Flat ribbon cable connector kit (26P/20P)	<b>PD0</b>	D side <sup>(1)</sup>	1 to 12 stations	24 stations	24
	<b>PD1</b>	Flat ribbon cable (26P) kit, without cable			
	<b>PD2</b>	Flat ribbon cable (26P) kit, with 1.5 m cable			
	<b>PD3</b>	Flat ribbon cable (26P) kit, with 3.0 m cable			
	<b>PDC</b>	Flat ribbon cable (26P) kit, with 5.0 m cable			
<b>J</b> kit  Flat ribbon cable (20P) (PC Wiring System compatible)	<b>JD0</b>	D side	1 to 9 stations	18 stations	18
		Flat ribbon cable (20P) PC Wiring System compatible			
<b>L</b> kit  Lead wire kit	<b>LD0</b>	D side	1 to 12 stations	—	—
	<b>LU0</b>	U side			
	<b>LD1</b>	D side			
	<b>LU1</b>	U side			
	<b>LD2</b>	D side			
	<b>LU2</b>	U side			
<b>S</b> kit  Serial transmission kit	<b>SDF</b>	D side	1 to 8 stations	16 stations	16
	<b>SDH</b>				
	<b>SDJ1</b>		NKE Corp.: Uni-wire H System		
	<b>SDJ2</b>		SUNX Corp.: S-LINK System (16 output points)		
	<b>SDQ</b>		SUNX Corp.: S-LINK System (8 output points)		
	<b>SDR1</b>		DeviceNet, CompoBus/D (OMRON Corp.)		
	<b>SDR2</b>		1 to 8 stations	16 stations	16
	<b>SDV</b>		OMRON Corp.: CompoBus/S System (16 output points)		
	OMRON Corp.: CompoBus/S System (8 output points)	1 to 4 stations	8 stations	8	
	Mitsubishi Electric Corp.: CC-LINK System	1 to 8 stations	16 stations	16	

Note 1) Separately order the 20P type cable assembly for the P kit.

Note 2) The maximum number of stations should not be more than the maximum number of solenoids. (The number of solenoids are counted as: 1 for single solenoids and 2 for type 3P and 4P double solenoids.)

# Series SQ1000

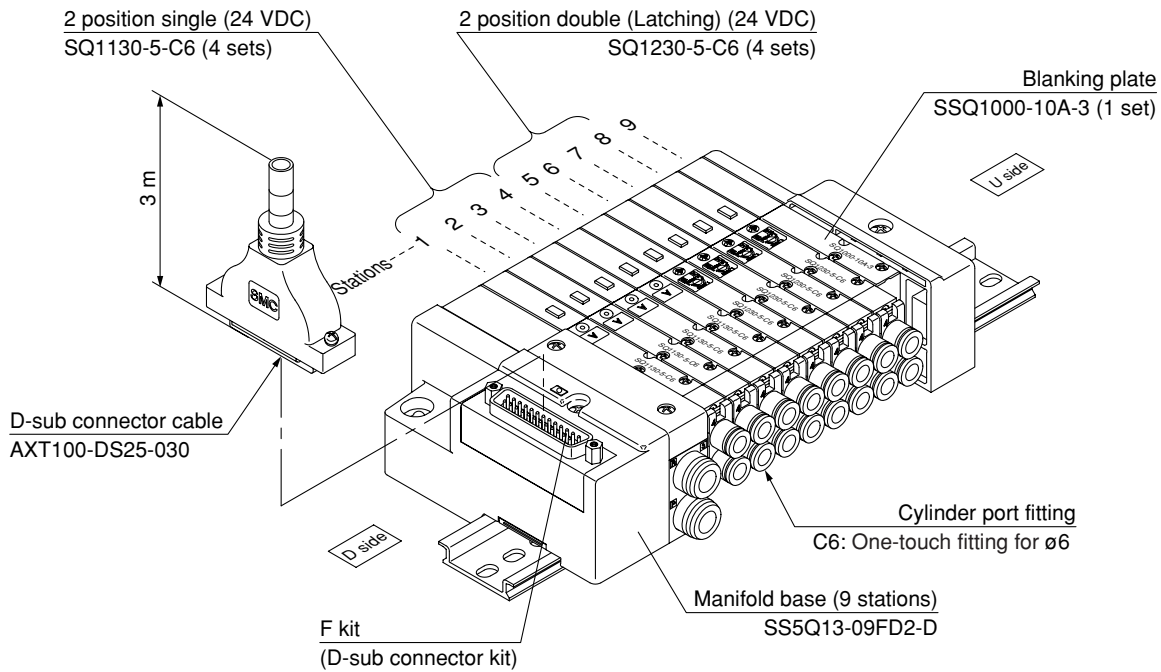
## Manifold Option

<p><b>Blanking plate</b> P. 2-3-44 <b>SSQ1000-10A-3</b></p> 	<p><b>Individual SUP/EXH spacer</b> P. 2-3-45 <b>SSQ1000-PR1-3-<sup>C6</sup><sub>L6</sub></b></p> 	<p><b>Name plate (-N)</b> P. 2-3-47 <b>SSQ1000-N3-n</b></p> 	<p><b>External pilot specifications (-R)</b> P. 2-3-48</p> <p>External pilot port</p> 																																																																																																																																																																					
<p><b>SUP/EXH block</b> P. 2-3-44 <b>SSQ1000-PR-3-C8 (-S)</b></p> 	<p><b>SUP block plate</b> P. 2-3-46 <b>SSQ1000-B-P</b></p> <p>D side</p> <p>U side</p> 	<p><b>Blanking plug</b> P. 2-3-47 <b>KQ2P-23/04/06/08</b></p> 	<p><b>Dual flow fitting</b> P. 2-3-48 <b>SSQ1000-52A-<sup>C8</sup><sub>N9</sub></b></p> 																																																																																																																																																																					
<p><b>Individual SUP spacer</b> P. 2-3-44 <b>SSQ1000-P-3-<sup>C6</sup><sub>L6</sub></b></p> 	<p><b>EXH block plate</b> P. 2-3-46 <b>SSQ1000-B-R</b></p> <p>D side</p> <p>U side</p> 	<p><b>Port plug</b> P. 2-3-47 <b>VVQZ100-CP</b></p> 	<p><b>Silencer (For EXH port)</b> P. 2-3-48</p> 																																																																																																																																																																					
<p><b>Individual EXH spacer</b> P. 2-3-45 <b>SSQ1000-R-3-<sup>C6</sup><sub>L6</sub></b></p> 	<p><b>Back pressure check valve (-B)</b> P. 2-3-46 <b>SSQ1000-BP</b></p> 	<p><b>Built-in silencer (-S)</b> P. 2-3-47</p> 	<p><b>Special wiring specifications (-K)</b> P. 2-3-49</p> <p>D-sub connector</p> <table border="1"> <thead> <tr> <th>Terminal no.</th> <th>Station</th> <th>Wiring</th> </tr> </thead> <tbody> <tr><td>14</td><td>0</td><td>1 station</td></tr> <tr><td>15</td><td>0</td><td>2 stations</td></tr> <tr><td>16</td><td>0</td><td>3 stations</td></tr> <tr><td>17</td><td>0</td><td>4 stations</td></tr> <tr><td>18</td><td>0</td><td>5 stations</td></tr> <tr><td>19</td><td>0</td><td>6 stations</td></tr> <tr><td>20</td><td>0</td><td>7 stations</td></tr> <tr><td>21</td><td>0</td><td>8 stations</td></tr> <tr><td>22</td><td>0</td><td></td></tr> <tr><td>23</td><td>0</td><td></td></tr> <tr><td>24</td><td>0</td><td></td></tr> <tr><td>25</td><td>0</td><td></td></tr> <tr><td>1</td><td>0</td><td></td></tr> <tr><td>2</td><td>0</td><td></td></tr> <tr><td>3</td><td>0</td><td></td></tr> <tr><td>4</td><td>0</td><td></td></tr> <tr><td>5</td><td>0</td><td></td></tr> <tr><td>6</td><td>0</td><td></td></tr> <tr><td>7</td><td>0</td><td></td></tr> <tr><td>8</td><td>0</td><td></td></tr> <tr><td>9</td><td>0</td><td></td></tr> <tr><td>10</td><td>0</td><td></td></tr> <tr><td>11</td><td>0</td><td></td></tr> <tr><td>12</td><td>0</td><td></td></tr> <tr><td>13</td><td>0</td><td></td></tr> <tr><td>1</td><td>0</td><td>SOLA</td></tr> <tr><td>14</td><td>0</td><td>SOLA</td></tr> <tr><td>2</td><td>0</td><td>SOLA</td></tr> <tr><td>3</td><td>0</td><td>SOLA</td></tr> <tr><td>4</td><td>0</td><td>SOLA</td></tr> <tr><td>5</td><td>0</td><td>SOLA</td></tr> <tr><td>6</td><td>0</td><td>SOLA</td></tr> <tr><td>7</td><td>0</td><td>SOLA</td></tr> <tr><td>8</td><td>0</td><td>SOLA</td></tr> <tr><td>9</td><td>0</td><td>SOLA</td></tr> <tr><td>10</td><td>0</td><td>SOLA</td></tr> <tr><td>11</td><td>0</td><td>SOLA</td></tr> <tr><td>12</td><td>0</td><td>SOLA</td></tr> <tr><td>13</td><td>0</td><td>SOLA</td></tr> <tr><td>1</td><td>0</td><td>SOLB</td></tr> <tr><td>14</td><td>0</td><td>SOLB</td></tr> <tr><td>2</td><td>0</td><td>SOLB</td></tr> <tr><td>3</td><td>0</td><td>SOLB</td></tr> <tr><td>4</td><td>0</td><td>SOLB</td></tr> <tr><td>5</td><td>0</td><td>SOLB</td></tr> <tr><td>6</td><td>0</td><td>SOLB</td></tr> <tr><td>7</td><td>0</td><td>SOLB</td></tr> <tr><td>8</td><td>0</td><td>SOLB</td></tr> <tr><td>9</td><td>0</td><td>SOLB</td></tr> <tr><td>10</td><td>0</td><td>SOLB</td></tr> <tr><td>11</td><td>0</td><td>SOLB</td></tr> <tr><td>12</td><td>0</td><td>SOLB</td></tr> <tr><td>13</td><td>0</td><td>SOLB</td></tr> <tr><td>13</td><td>+</td><td>COM.</td></tr> </tbody> </table> <p>Connector terminal no.</p>	Terminal no.	Station	Wiring	14	0	1 station	15	0	2 stations	16	0	3 stations	17	0	4 stations	18	0	5 stations	19	0	6 stations	20	0	7 stations	21	0	8 stations	22	0		23	0		24	0		25	0		1	0		2	0		3	0		4	0		5	0		6	0		7	0		8	0		9	0		10	0		11	0		12	0		13	0		1	0	SOLA	14	0	SOLA	2	0	SOLA	3	0	SOLA	4	0	SOLA	5	0	SOLA	6	0	SOLA	7	0	SOLA	8	0	SOLA	9	0	SOLA	10	0	SOLA	11	0	SOLA	12	0	SOLA	13	0	SOLA	1	0	SOLB	14	0	SOLB	2	0	SOLB	3	0	SOLB	4	0	SOLB	5	0	SOLB	6	0	SOLB	7	0	SOLB	8	0	SOLB	9	0	SOLB	10	0	SOLB	11	0	SOLB	12	0	SOLB	13	0	SOLB	13	+	COM.
Terminal no.	Station	Wiring																																																																																																																																																																						
14	0	1 station																																																																																																																																																																						
15	0	2 stations																																																																																																																																																																						
16	0	3 stations																																																																																																																																																																						
17	0	4 stations																																																																																																																																																																						
18	0	5 stations																																																																																																																																																																						
19	0	6 stations																																																																																																																																																																						
20	0	7 stations																																																																																																																																																																						
21	0	8 stations																																																																																																																																																																						
22	0																																																																																																																																																																							
23	0																																																																																																																																																																							
24	0																																																																																																																																																																							
25	0																																																																																																																																																																							
1	0																																																																																																																																																																							
2	0																																																																																																																																																																							
3	0																																																																																																																																																																							
4	0																																																																																																																																																																							
5	0																																																																																																																																																																							
6	0																																																																																																																																																																							
7	0																																																																																																																																																																							
8	0																																																																																																																																																																							
9	0																																																																																																																																																																							
10	0																																																																																																																																																																							
11	0																																																																																																																																																																							
12	0																																																																																																																																																																							
13	0																																																																																																																																																																							
1	0	SOLA																																																																																																																																																																						
14	0	SOLA																																																																																																																																																																						
2	0	SOLA																																																																																																																																																																						
3	0	SOLA																																																																																																																																																																						
4	0	SOLA																																																																																																																																																																						
5	0	SOLA																																																																																																																																																																						
6	0	SOLA																																																																																																																																																																						
7	0	SOLA																																																																																																																																																																						
8	0	SOLA																																																																																																																																																																						
9	0	SOLA																																																																																																																																																																						
10	0	SOLA																																																																																																																																																																						
11	0	SOLA																																																																																																																																																																						
12	0	SOLA																																																																																																																																																																						
13	0	SOLA																																																																																																																																																																						
1	0	SOLB																																																																																																																																																																						
14	0	SOLB																																																																																																																																																																						
2	0	SOLB																																																																																																																																																																						
3	0	SOLB																																																																																																																																																																						
4	0	SOLB																																																																																																																																																																						
5	0	SOLB																																																																																																																																																																						
6	0	SOLB																																																																																																																																																																						
7	0	SOLB																																																																																																																																																																						
8	0	SOLB																																																																																																																																																																						
9	0	SOLB																																																																																																																																																																						
10	0	SOLB																																																																																																																																																																						
11	0	SOLB																																																																																																																																																																						
12	0	SOLB																																																																																																																																																																						
13	0	SOLB																																																																																																																																																																						
13	+	COM.																																																																																																																																																																						

Although the standard products come with double wiring, mixed single and double wiring is available upon request.

## How to Order Manifold Assembly (Example)

Example: D-sub connector kit, with cable (3 m)



VQC  
SQ  
VQ0  
VQ4  
VQ5  
VQZ  
VQD

SS5Q13-09FD2-D ..... 1 set (F kit 9 station manifold base)

\*SQ1130-5-C6 ..... 4 sets (2 position single)

\*SQ1230-5-C6 ..... 4 sets (2 position double [latching])

\*SSQ1000-10A-3 ..... 1 set (Blanking plate)

→ The asterisk denotes the symbol for assembly. Prefix it to the part nos. of the solenoid valve, etc.

Add the valve and option part numbers in order starting from the first station on the D side.  
When entry of part numbers becomes complicated, indicate on the manifold specification sheet.

## Manifold Specifications

Base model	Porting specifications			Applicable solenoid valve	Type of connection	Applicable station <sup>(3)</sup>	5 station weight (g) <sup>(4)</sup>	1 station weight (g) <sup>(4)</sup>				
	Port size <sup>(1)</sup>											
	1(P), 3(R)	4(A), 2(B)										
	Port location	Port size										
SS5Q13-□□□□	C8 (For ø8) Option Built-in silencer, direct exhaust	Side	C3 (For ø3.2) C4 (For ø4) C6 (For ø6) M5 (M5 thread)		SQ1□30 SQ1□31	F kit: D-sub connector		1 to 12 stations	420	20		
			Top <sup>(2)</sup>	L3 (For ø3.2) L4 (For ø4) L6 (For ø6) L5 (M5 thread)		P kit: Flat ribbon cable		26P 20P	1 to 12 stations 1 to 9 stations	420	20	
						J kit: Flat ribbon cable PC Wiring System compatible			1 to 8 stations	420	20	
						L kit: Lead wire			1 to 12 stations	460	35	
						S kit: Serial transmission			1 to 8 stations	475	20	

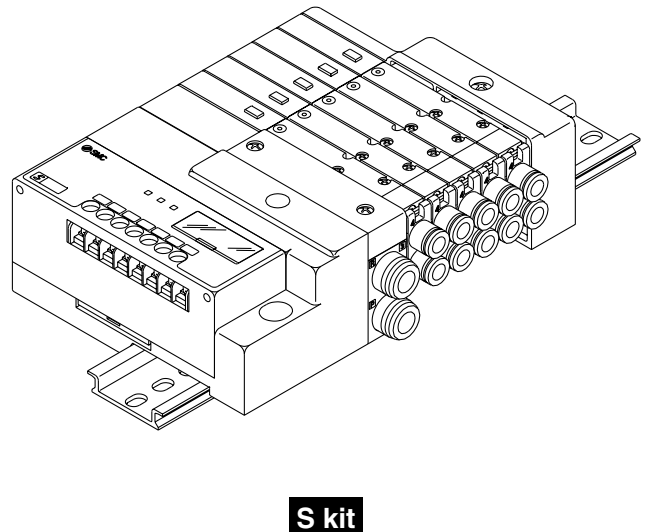
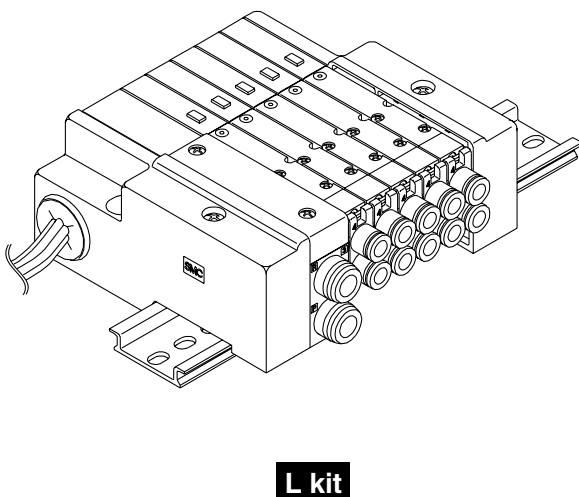
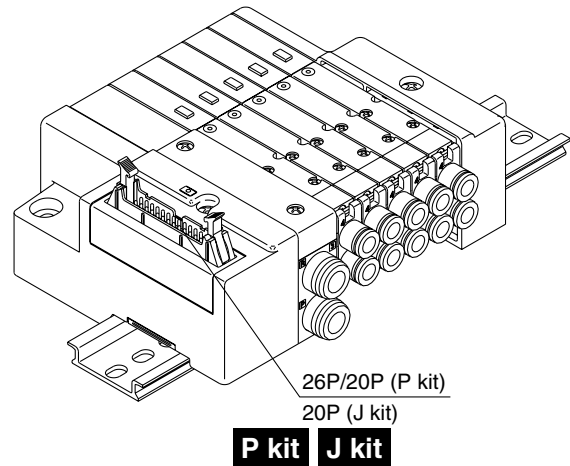
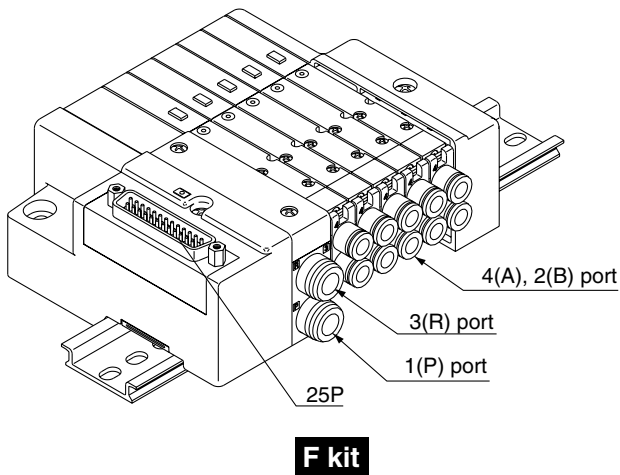


Note 1) One-touch fittings in inch sizes are also available. For details, refer to page 2-3-56.

Note 2) Can be changed to side ported configuration.

Note 3) An optional specification for special wiring is available to increase the maximum number of stations. Refer to page 2-3-54 for details.

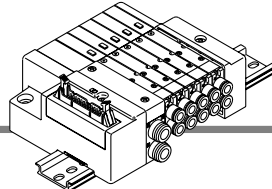
Note 4) Except valves. For valve weight, refer to page 2-3-10.



VQC  
SQ  
VQ0  
VQ4  
VQ5  
VQZ  
VQD

# Series SQ1000

## P Kit (Flat ribbon cable connector)



- Simplification and labor savings for wiring work can be achieved by using a flat ribbon cable for the electrical connection.
- Using connector for flat ribbon cable (26P, 20P) conforming to MIL standard permits the use of connectors put on the market and gives a wide interchangeability.
- Top or side entry for the connector can be changed freely, allowing later changes according to the mounting space.

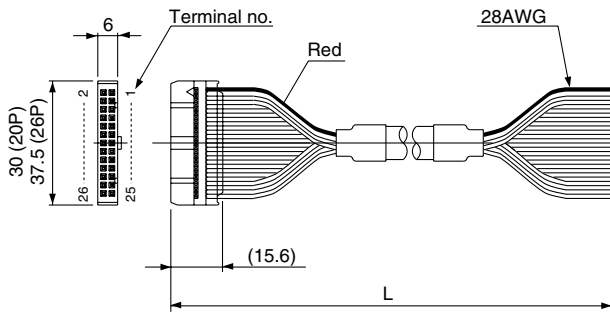
### Manifold Specifications

Series	Port location	Porting specifications		Maximum number of stations
		1(P), 3(R)	4(A), 2(B)	
<b>SQ1000</b>	Side, Top	C8	C3, C4, C6, M5	12 stations (24 as an option)

### Flat Ribbon Cable (26 pins, 20 pins)

AXT100-FC  $\frac{20}{26} - \frac{1}{2}$

(Type 26P flat ribbon cable connector assemblies can be ordered with manifolds. Refer to manifold ordering.)



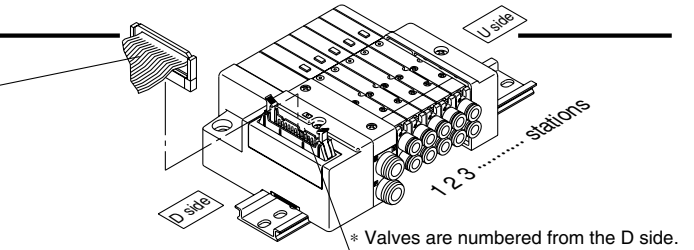
### Flat Ribbon Cable Connector Assembly (Option)

Cable length (L)	Assembly part no.	
	26P	20P
1.5 m	AXT100-FC26-1	AXT100-FC20-1
3 m	AXT100-FC26-2	AXT100-FC20-2
5 m	AXT100-FC26-3	AXT100-FC20-3

- \* For other commercial connectors, use a 26 pins or 20 pins with strain relief conforming to MIL-C-83503.
- \* Cannot be used for transfer wiring.

### Connector manufacturers' example

- Hirose Electric Co., Ltd.
- Sumitomo 3M Limited
- Fujitsu Limited
- Japan Aviation Electronics Industry, Ltd.
- J.S.T. Mfg. Co., Ltd.
- Oki Electric Cable Co., Ltd.



### Electrical wiring specifications

#### Flat ribbon cable connector

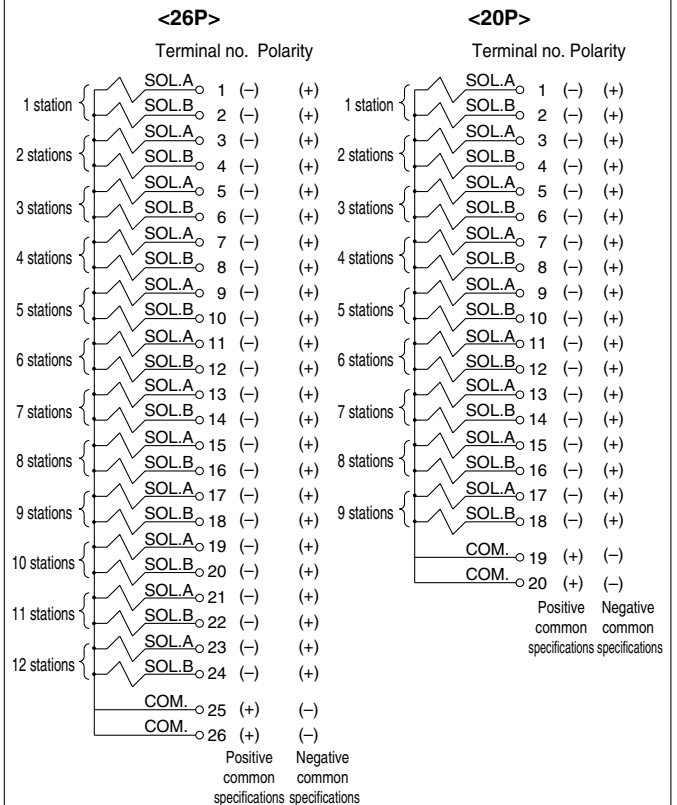
26 □	□ 25
24 □	□ 23
22 □	□ 21
20 □	□ 19
18 □	□ 17
16 □	□ 15
14 □	□ 13
12 □	□ 11
10 □	□ 9
8 □	□ 7
6 □	□ 5
4 □	□ 3
2 □	□ 1

Connector terminal no.

Triangle mark indicator position

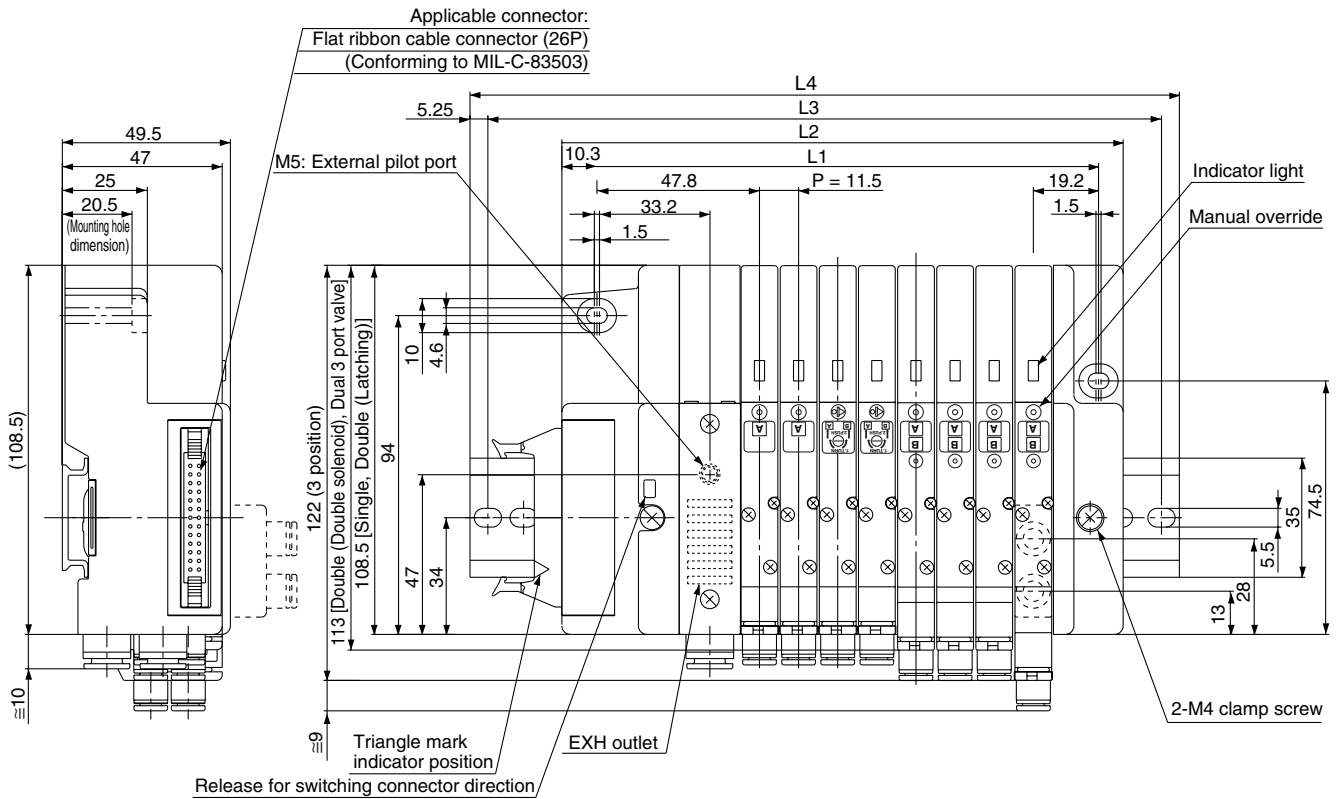
Double wiring (connected to SOL. A and SOL. B) is adopted for the internal wiring of each station, regardless of valve and option types.

Mixed single and double wiring is available as an option. For details, refer to page 2-3-54.

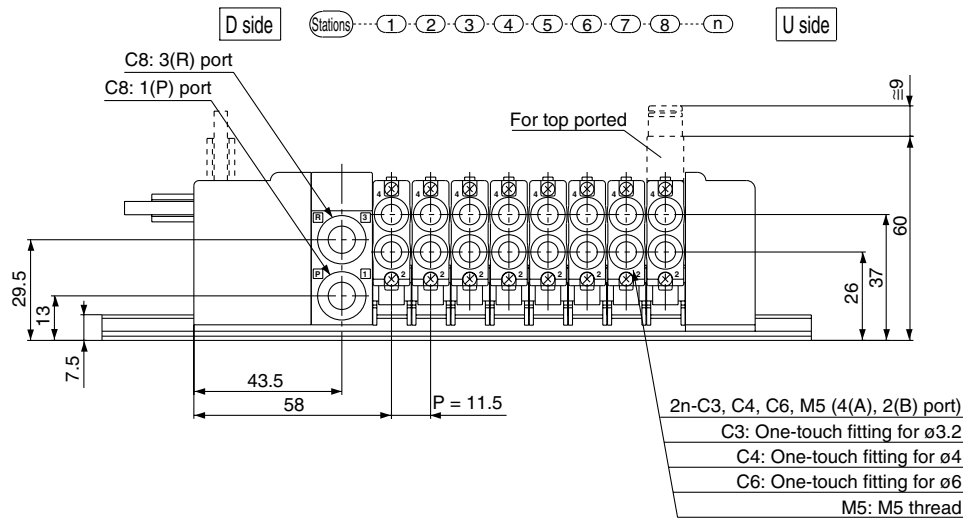


Note) When using the negative common specifications, use valves for negative common.

# Plug-in Unit Series SQ1000



- VQC
- SQ
- VQ0
- VQ4
- VQ5
- VQZ
- VQD



## Dimensions

Formula:  $L1 = 11.5n + 55.5$ ,  $L2 = 11.5n + 73$     n: Stations (Maximum 24 stations)

L \ n	1	2	3	4	5	6	7	8	9	10	11	12	13	14	15	16	17	18	19	20	21	22	23	24
L1	67	78.5	90	101.5	113	124.5	136	147.5	159	170.5	182	193.5	205	216.5	228	239.5	251	262.5	274	285.5	297	308.5	320	331.5
L2	84.5	96	107.5	119	130.5	142	153.5	165	176.5	188	199.5	211	222.5	234	245.5	257	268.5	280	291.5	303	314.5	326	337.5	349
L3	112.5	125	137.5	150	150	162.5	175	187.5	200	212.5	225	237.5	250	262.5	275	287.5	300	300	312.5	325	337.5	350	362.5	375
L4	123	135.5	148	160.5	160.5	173	185.5	198	210.5	223	235.5	248	260.5	273	285.5	298	310.5	310.5	323	335.5	348	360.5	373	385.5