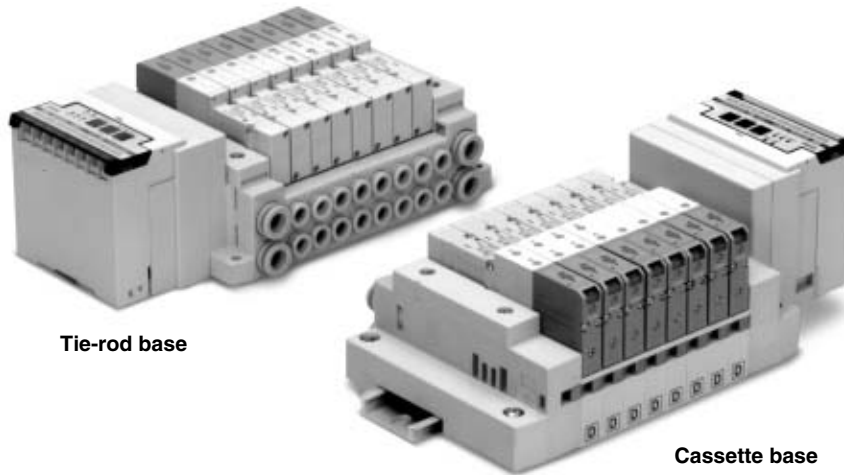


Dedicated Output Serial Wiring

Series *EX120*



Tie-rod base

Cassette base

Applicable series	Cassette base manifold SV1000/SV2000
	Tie-rod base manifold SV1000/SV2000/SV3000/SV4000
• Number of outputs points: 16 points	

SV

SZ

SY

SYJ

SX



Series EX120 Dedicated Output Serial Wiring Series SV

How to Order

Series

1	SV1000
2	SV2000
3	SV3000
4	SV4000

Tie-rod base

Cassette base

Series

1	SV1000
2	SV2000

SI unit

Symbol	Specifications
0	Without SI unit
A*	With general type SI unit (Series EX300)
B	Mitsubishi Electric Corp.: MELSECNET/MINI-S3 Data Link System
C	OMRON Corp.: SYSBUS Wire System
D	SHARP Corp.: Satellite I/O Link System
E	Matsushita Electric Works: MEWNET-F System
F1	NKE Corp.: Uni-wire System (16 output points)
G	Rockwell Automation: Allen Bradley Remote I/O (RIO) System
H	NKE Corp.: Uni-wire H System
J1	SUNX Corp.: S-LINK System (16 output points)
J2	SUNX Corp.: S-LINK System (8 output points)
K	Fuji Electric Co.: T-LINK Mini System
Q	DeviceNet, CompoBus/D (OMRON Corp.)
R1	OMRON Corp.: CompoBus/S System (16 output points)
R2	OMRON Corp.: CompoBus/S System (8 output points)
U	JEMANET (JPCN-1)
V	Mitsubishi Electric Corp.: CC-LINK System

* For the general purpose type, a transmission unit is require on the CPU side.

Mounting

Nil	Direct mounting
D	DIN rail mounting (With DIN rail)
D0*	DIN rail mounting (Without DIN rail)
D3	For 3 stations
:	:
D16	For 16 stations

When a longer DIN rail is desired than the specified stations. (Specify a longer rail than the standard length.)

* In the case of D0, only DIN rail fittings are attached.

DIN rail length specified

Nil	Standard length
3	For 3 stations
:	:
16	For 16 stations

(Specify a longer rail than the standard length.)

Valve stations

Symbol	Stations	Note
02	2 stations	Double wiring specifications (1)
:	:	
08	8 stations	
02	2 stations	Specified layout (2) (up to 16 solenoids possible.)
:	:	
16	16 stations	

• Since J2 and R2 type SI units have 8 outputs note that up to 8 solenoids can be accommodated.
• This also includes the number of blanking plate assemblies.

Note 1) Double wiring specifications: Single, double, 3 position and 4 position solenoid valves can be used on all manifold stations. Use of a single solenoid will result in an unused control signal. If this is not desired, order with a specified layout.
Note 2) Specified layout: Indicate wiring specifications on the manifold specification sheet. (Note that double and 3 position valves cannot be used where single solenoid wiring has been specified.)

P, E port location

U	U side (2 to 10 stations)
D	D side (2 to 10 stations)
B	Both sides (2 to 16 stations)

SUP/EXH block assembly specifications

Nil	Internal pilot
S	Internal pilot/Built-in silencer
R	External pilot
RS	External pilot/Built-in silencer

SI Unit Part No.

Symbol	Specifications	For SS5V□□□S3
A*	With general type SI unit (Series EX300)	EX320-S001
B	Mitsubishi Electric Corp.: MELSECNET/MINI-S3 Data Link System	EX120-SMB1
C	OMRON Corp.: SYSBUS Wire System	EX120-STA1
D	SHARP Corp.: Satellite I/O Link System	EX120-SSH1
E	Matsushita Electric Works: MEWNET-F System	EX120-SPA1
F1	NKE Corp.: Uni-wire System (16 output points)	EX120-SUW1
G	Rockwell Automation: Allen Bradley Remote I/O (RIO) System	EX120-SAB1

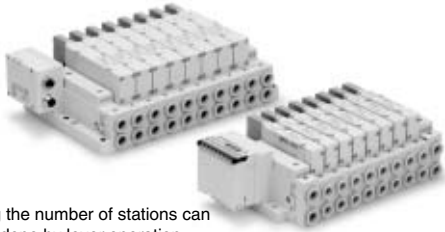
Symbol	Specifications	For SS5V□-□□S3
H	NKE Corp.: Uni-wire H System	EX120-SUH1
J1	SUNX Corp.: S-LINK System (16 output points)	EX120-SSL1
J2	SUNX Corp.: S-LINK System (8 output points)	EX120-SSL2
K	Fuji Electric Co.: T-LINK Mini System	EX120-SFU1
Q	DeviceNet, CompoBus/D (OMRON Corp.)	EX120-SDN1
R1	OMRON Corp.: CompoBus/S System (16 output points)	EX120-SCS1
R2	OMRON Corp.: CompoBus/S System (8 output points)	EX120-SCS2
U	JEMANET (JPCN-1)	EX120-SJN1
V	Mitsubishi Electric Corp.: CC-LINK System	EX120-SMJ1

* For terminal LED descriptions for each SI unit and cable wiring, etc., refer to pages 1-2-46 to 1-2-48.



Valve Manifold Common Specifications Series SV

Cassette base manifold



- Changing the number of stations can be easily done by lever operation.

Manifold Specifications

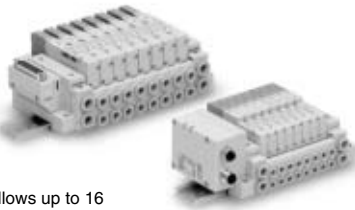
Applicable series		SV1000	SV2000
Manifold type		Stacking type cassette base manifold	
1 (P: SUP)/3, 5 (E: EXH) type		Common SUP, EXH	
Valve stations (maximum)		18 stations	20 stations
Max. number of solenoids		18 points	26 points
Port size	1(P), 3/5(E) port	C8, N9	C10, N11
	4(A), 2(B) port	C3, C4, C6 N1, N3, N7	C4, C6, C8 N3, N7, N9

Flow Characteristics

Model	Port size		Flow characteristics					
	1, 5, 3 (P, EA, EB)	4, 2 (A, B)	1 → 4/2 (P → A/B)			4/2 → 3/5 (A/B → E)		
			C [dm ³ /(s·bar)]	b	Cv	C [dm ³ /(s·bar)]	b	Cv
SS5V1-16	C8	C6	0.89	0.22	0.22	0.98	0.21	0.23
SS5V2-16	C10	C8	2.3	0.28	0.50	2.7	0.18	0.56

Note) The value is for manifold base with 5 stations and individually operated 2 position type.

Tie-rod base manifold



- 34 pins connector allows up to 16 stations with double solenoids.

Manifold Specifications

Applicable series		SV1000	SV2000	SV3000	SV4000
Manifold type		Tie-rod base manifold			
1 (P: SUP)/3, 5 (E: EXH) type		Common SUP, EXH			
Valve stations (maximum)		20 stations			
Max. number of solenoids		32 points			
Port size	1(P), 3/5(E) port	C8, N9	C10, N11	C12, N11	C12, N11, 03
	4(A), 2(B) port	C3, C4, C6 N1, N3, N7	C4, C6, C8 N3, N7, N9	C6, C8, C10 N7, N9, N11	C8, C10, C12 N9, N11, 02, 03

Flow Characteristics

Model	Port size		Flow characteristics					
	1, 5, 3 (P, EA, EB)	4, 2 (A, B)	1 → 4/2(P → A/B)			4/2 → 3/5(A/B → E)		
			C [dm ³ /(s·bar)]	b	Cv	C [dm ³ /(s·bar)]	b	Cv
SS5V1-10	C8	C6	0.98	0.26	0.24	1.1	0.35	0.28
SS5V2-10	C10	C8	2.1	0.20	0.46	2.4	0.18	0.48
SS5V3-10	C12	C10	4.2	0.22	0.91	4.3	0.21	0.93
SS5V4-10	C12	C12	6.2	0.19	1.3	7.0	0.18	1.6

Note) The value is for manifold base with 5 stations and individually operated 2 position type.

Enclosure of Manifold Variations (Common for cassette base and tie-rod base)

Series	Enclosure (Based on IEC529)
Series EX500 Decentralized serial wiring	IP67 *
Series EX250 Serial wiring with input/output onit	IP67
Series EX120 Dedicated output serial wiring	Dusttight (IP40)
For circular connector	IP67
D-sub connector	Dusttight (IP40)
Flat ribbon cable	Dusttight (IP40)

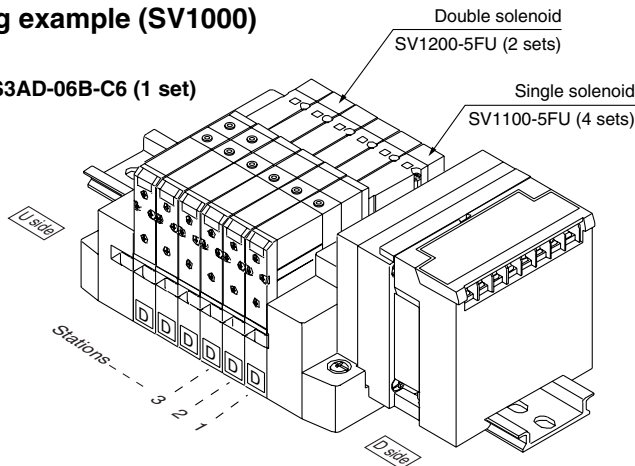
* Enclosure of a gateway unit and input manifold is IP65.

How to Order Valve Manifold Assembly

Ordering example (SV1000)

Manifold

SS5V1-16S3AD-06B-C6 (1 set)



SS5V1-16S3AD-06B-C6.....1 set (manifold part no.)
*SV1100-5FU.....4 sets (Single solenoid part no.)
*SV1200-5FU.....2 sets (Double solenoid part no.)

SV
SZ
SY
SYJ
SX

How to Order Solenoid Valves

SV 1 1 0 0 [] [] - **5 F** [] [] [] (Note)

Series

1	SV1000
2	SV2000
3	SV3000
4	SV4000

Type of actuation

1	2 position single solenoid
2	2 position double solenoid
3	3 position closed center
4	3 position exhaust center
5	3 position pressure center
A	4 position dual 3 port valve: N.C./N.O.
B	4 position dual 3 port valve: N.O./N.O.
C	4 position dual 3 port valve: N.C./N.O.

* 4 position dual 3 port valves are applicable to Series SV1000 and SV2000 only.

Pilot type

Nil	Internal pilot
R	External pilot

* External pilot specifications is not available for 4 position dual 3 port valves.

Back pressure check valve

Nil	None
K	Built-in

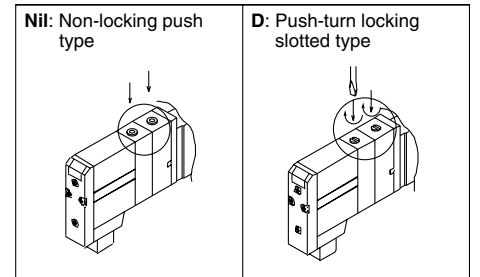
* Built-in back pressure check valve type is applicable to Series SV1000 only.
* Back pressure check valve is not available for 3 position closed center and 3 position pressure center.



Refer to Precautions 2 on page 1-2-9.

Note) Available with manifold block for station additions. Refer to pages 1-2-89 and 1-2-93.

Manual override



Rated voltage

5	24 VDC
---	--------

Light/Surge voltage suppressor

U	With light/surge voltage suppressor
R	With surge voltage suppressor

A, B port size (Metric)

Symbol	A, B port	P, E port	Applicable series
C3	One-touch fitting for ø3.2	One-touch fitting for ø8	SV1000
C4	One-touch fitting for ø4		
C6	One-touch fitting for ø6		
C4	One-touch fitting for ø4	One-touch fitting for ø10	SV2000
C6	One-touch fitting for ø6		
C8	One-touch fitting for ø8		
C6	One-touch fitting for ø6	One-touch fitting for ø12	SV3000
C8	One-touch fitting for ø8		
C10	One-touch fitting for ø10		
C8	One-touch fitting for ø8	One-touch fitting for ø12	SV4000
C10	One-touch fitting for ø10		
C12	One-touch fitting for ø12		
O2	Rc 1/4	Rc 3/8	SV4000
O3	Rc 3/8		
O2F	G 1/4		
O3F	G 3/8	G 3/8	
M	A, B ports mixed		

A, B port size (Inch)

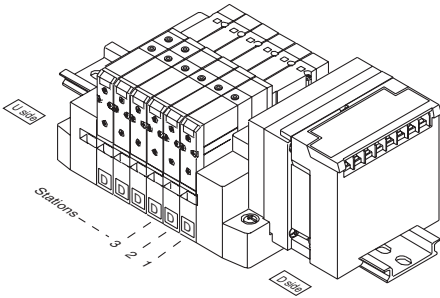
Symbol	A, B port	P, E port	Applicable series
N1	One-touch fitting for ø1/8"	One-touch fitting for ø5/16"	SV1000
N3	One-touch fitting for ø5/32"		
N7	One-touch fitting for ø1/4"		
N3	One-touch fitting for ø5/32"	One-touch fitting for ø3/8"	SV2000
N7	One-touch fitting for ø1/4"		
N9	One-touch fitting for ø5/16"		
N7	One-touch fitting for ø1/4"	One-touch fitting for ø3/8"	SV3000
N9	One-touch fitting for ø5/16"		
N11	One-touch fitting for ø3/8"		
N9	One-touch fitting for ø5/16"	One-touch fitting for ø3/8"	SV4000
N11	One-touch fitting for ø3/8"		
O2N	NPT 1/4		
O3N	NPT 3/8	NPT 3/8	
O2T	NPTF 1/4	NPTF 3/8	
O3T	NPTF 3/8		
M	A, B ports mixed		

* In the case of mixed specifications (M), indicate separately on the manifold specification sheet.

* Port sizes of X, PE port for external pilot specification (R, RS) are ø4 (metric), ø5/32" (inch) for SV1000/2000 and ø6 (metric) and ø1/4" (inch) for SV3000/4000.

Series SV

- The serial transmission system reduces wiring work, while minimizing wiring and saving space.
- Maximum 16 stations (Specify a model with more than 9 stations by means of the manifold specification sheet.)

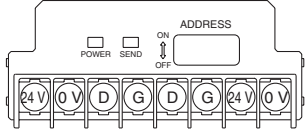
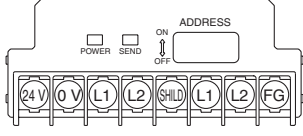
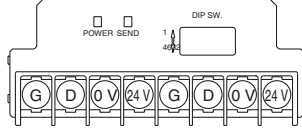
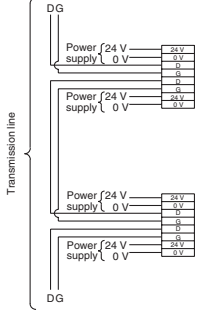
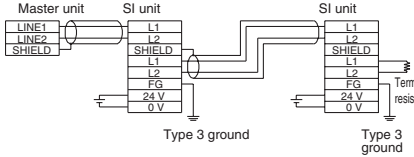
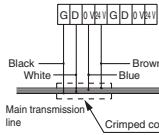
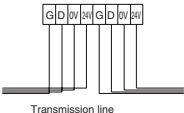


- Stations are counted from D side as the 1st.
- A maximum of 16 solenoids is possible (16 stations with single solenoids).

Item	Specifications
External power supply	24 VDC + 10%/- 5%
Current consumption (Internal unit)	0.1 A A, B, D, E, F1, G, J1, J2, K, R1, R2, H, U, V
	0.3 A C, Q

	Type A Series EX300	Type B Mitsubishi Electric Corporation MELSECNET/mini-S3 Data Link System																		
Name of terminal block, LED	<table border="1"> <thead> <tr> <th>LED</th> <th>Description</th> </tr> </thead> <tbody> <tr> <td>TRD</td> <td>ON during data reception</td> </tr> <tr> <td>RUN/ERR</td> <td>Blinks for normal data reception, ON for abnormal</td> </tr> </tbody> </table>	LED	Description	TRD	ON during data reception	RUN/ERR	Blinks for normal data reception, ON for abnormal	<table border="1"> <thead> <tr> <th>LED</th> <th>Description</th> </tr> </thead> <tbody> <tr> <td>POWER</td> <td>ON for power supply input</td> </tr> <tr> <td>RUN</td> <td>ON for normal data traffic with master unit</td> </tr> <tr> <td>RD</td> <td>ON during data reception</td> </tr> <tr> <td>SD</td> <td>ON during data transmission</td> </tr> <tr> <td>ERR</td> <td>ON for data reception error, OFF when normal</td> </tr> </tbody> </table>	LED	Description	POWER	ON for power supply input	RUN	ON for normal data traffic with master unit	RD	ON during data reception	SD	ON during data transmission	ERR	ON for data reception error, OFF when normal
LED	Description																			
TRD	ON during data reception																			
RUN/ERR	Blinks for normal data reception, ON for abnormal																			
LED	Description																			
POWER	ON for power supply input																			
RUN	ON for normal data traffic with master unit																			
RD	ON during data reception																			
SD	ON during data transmission																			
ERR	ON for data reception error, OFF when normal																			
Note	<ul style="list-style-type: none"> • Connection to T unit PLC manufacturer's I/O card enables serial transmission. EX300-TMB1..... for Mitsubishi Electric Corporation EX300-TTA1..... for OMRON Corporation EX300-TFU1..... for Fuji Electric Co., Ltd. EX300-T001..... General purpose * Each T unit has 32 control points. • No. of output points, 16 points 	<ul style="list-style-type: none"> • MELSECNET/mini-S3 Data Link System Master unit : AJ71PT32-S3 AJ71T32-S3 A1SJ71PT32-S3 • No. of output points, 16 points, No. of stations occupied, 2 stations 																		
Cable wiring	<p>* Ground either the reception side or the transmission side of the shielding wire shield.</p>	<p>SI manifold solenoid valve</p> <p>* Ground either the reception side or the transmission side of the shielding wire shield.</p>																		

	Type C OMRON Corporation SYSBUS Wire System	Type D SHARP Corporation Satellite I/O Link System	Type E Matsushita Electric Works, Ltd. MEWNET-F System																								
Name of terminal block, LED	<table border="1"> <thead> <tr> <th>LED</th> <th>Description</th> </tr> </thead> <tbody> <tr> <td>RUN</td> <td>ON when transmission is normal and PLC is in operation mode</td> </tr> <tr> <td>T/R, ERR</td> <td>Blinks when transmission is normal, ON when transmission is abnormal.</td> </tr> </tbody> </table>	LED	Description	RUN	ON when transmission is normal and PLC is in operation mode	T/R, ERR	Blinks when transmission is normal, ON when transmission is abnormal.	<table border="1"> <thead> <tr> <th>LED</th> <th>Description</th> </tr> </thead> <tbody> <tr> <td>POWER</td> <td>ON when power supply is ON</td> </tr> <tr> <td>RUN</td> <td>ON when power is ON and slave unit operates normally</td> </tr> <tr> <td>ERR</td> <td>ON for abnormal slave unit switch setting, abnormal communication, master unit PLC stopped and defective slave unit</td> </tr> <tr> <td>R.SET, HOLD</td> <td>ON for master unit control input</td> </tr> </tbody> </table>	LED	Description	POWER	ON when power supply is ON	RUN	ON when power is ON and slave unit operates normally	ERR	ON for abnormal slave unit switch setting, abnormal communication, master unit PLC stopped and defective slave unit	R.SET, HOLD	ON for master unit control input	<table border="1"> <thead> <tr> <th>LED</th> <th>Description</th> </tr> </thead> <tbody> <tr> <td>POWER</td> <td>ON when power supply is ON</td> </tr> <tr> <td>COMM.</td> <td>Blinks during data transmission/reception</td> </tr> <tr> <td>ALARM</td> <td>ON for unit abnormality, blinks for station no. setting error</td> </tr> </tbody> </table>	LED	Description	POWER	ON when power supply is ON	COMM.	Blinks during data transmission/reception	ALARM	ON for unit abnormality, blinks for station no. setting error
LED	Description																										
RUN	ON when transmission is normal and PLC is in operation mode																										
T/R, ERR	Blinks when transmission is normal, ON when transmission is abnormal.																										
LED	Description																										
POWER	ON when power supply is ON																										
RUN	ON when power is ON and slave unit operates normally																										
ERR	ON for abnormal slave unit switch setting, abnormal communication, master unit PLC stopped and defective slave unit																										
R.SET, HOLD	ON for master unit control input																										
LED	Description																										
POWER	ON when power supply is ON																										
COMM.	Blinks during data transmission/reception																										
ALARM	ON for unit abnormality, blinks for station no. setting error																										
Note	<ul style="list-style-type: none"> • SYSBUS Wire System Master unit : Type C500-RM201 Type C200H-RM201 • No. of output points, 16 points 	<ul style="list-style-type: none"> • Satellite I/O Link System JW-23LM, JW-23LMH Master unit : ZW-31LM JW-31LM, JW-31LMH • No. of output points, 16 points 	<ul style="list-style-type: none"> • MEWNET-F System Master unit : AFP3740, AFP3742 AFP5740, AFP5742 • No. of output points, 16 points 																								
Cable wiring		<p>a) 2-wire type Wiring does not include signal ground line (SG).</p> <p>b) 3-wire type Wiring does not include signal ground line (SG).</p>																									

	Type F1 NKE Corporation Uni-wire System	Type G Rockwell Automation, Inc. Allen Bradley Remote I/O (RIO) System	Type J1, J2 SUNX Corporation S-LINK System																				
Name of terminal block, LED	 <table border="1" style="width: 100%; margin-top: 10px;"> <thead> <tr> <th>LED</th> <th>Description</th> </tr> </thead> <tbody> <tr> <td>POWER</td> <td>ON for power supply input (ON when normal, flickers when voltage drops)</td> </tr> <tr> <td>SEND</td> <td>Transmission indication: Blinks when normal, OFF or ON when abnormal</td> </tr> </tbody> </table>	LED	Description	POWER	ON for power supply input (ON when normal, flickers when voltage drops)	SEND	Transmission indication: Blinks when normal, OFF or ON when abnormal	 <table border="1" style="width: 100%; margin-top: 10px;"> <thead> <tr> <th>LED</th> <th>Description</th> </tr> </thead> <tbody> <tr> <td>POWER</td> <td>ON when power supply is ON</td> </tr> <tr> <td>COM</td> <td>ON when communication is normal Blinks when communication is initialized OFF for abnormal communication</td> </tr> <tr> <td>ERROR</td> <td>ON for abnormal communication</td> </tr> </tbody> </table>	LED	Description	POWER	ON when power supply is ON	COM	ON when communication is normal Blinks when communication is initialized OFF for abnormal communication	ERROR	ON for abnormal communication	 <table border="1" style="width: 100%; margin-top: 10px;"> <thead> <tr> <th>LED</th> <th>Description</th> </tr> </thead> <tbody> <tr> <td>POWER</td> <td>ON for power supply input</td> </tr> <tr> <td>SEND</td> <td>Transmission indication: Blinks when normal, Blinks slowly when abnormal</td> </tr> </tbody> </table>	LED	Description	POWER	ON for power supply input	SEND	Transmission indication: Blinks when normal, Blinks slowly when abnormal
LED	Description																						
POWER	ON for power supply input (ON when normal, flickers when voltage drops)																						
SEND	Transmission indication: Blinks when normal, OFF or ON when abnormal																						
LED	Description																						
POWER	ON when power supply is ON																						
COM	ON when communication is normal Blinks when communication is initialized OFF for abnormal communication																						
ERROR	ON for abnormal communication																						
LED	Description																						
POWER	ON for power supply input																						
SEND	Transmission indication: Blinks when normal, Blinks slowly when abnormal																						
Note	<ul style="list-style-type: none"> • Uni-wire System Send unit : SD-120 • No. of output points, 16 points 	<ul style="list-style-type: none"> • Remote I/O (RIO) System • No. of output points, 16 points 	<ul style="list-style-type: none"> • S-LINK System S-LINK controller: SL-CU1A • No. of output points, 16 points (Type J1) No. of output points, 8 points (Type J2) 																				
Cable wiring			<div style="display: flex; justify-content: space-around;"> <div style="width: 45%;"> <p>a) Type T branching multi-drop wiring (S-LINK System)</p>  </div> <div style="width: 45%;"> <p>b) Crossover wiring (Sensor Link System)</p>  </div> </div> <p>The above is the example of using dedicated S-LINK flat ribbon cable SL-RCMI00.</p>																				

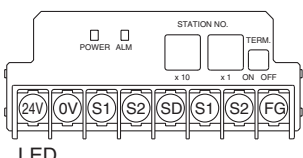
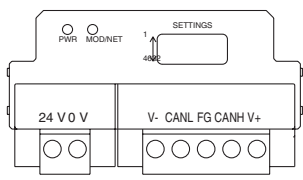
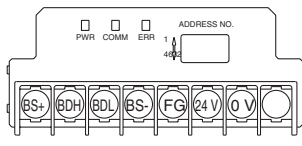
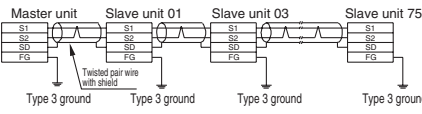
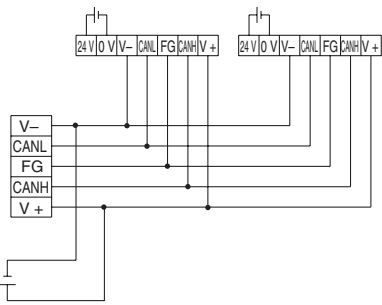
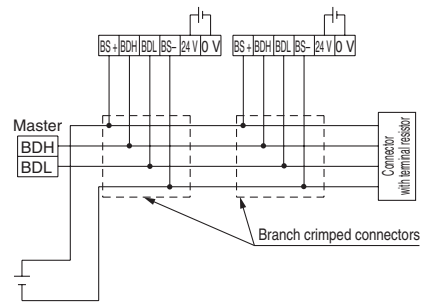
SV

SZ

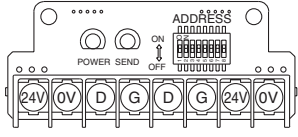
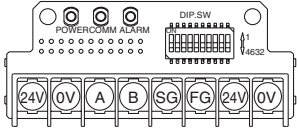
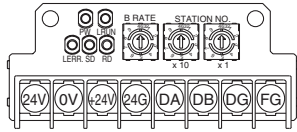
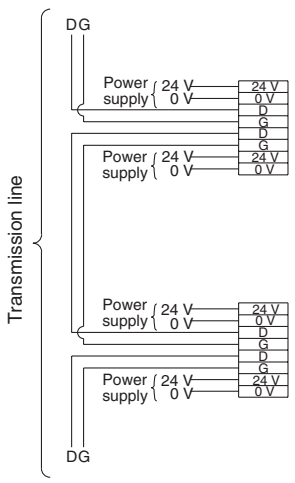
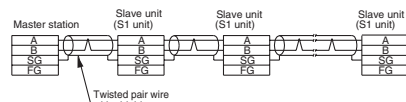
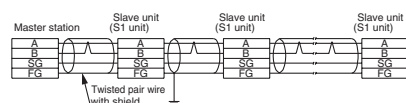
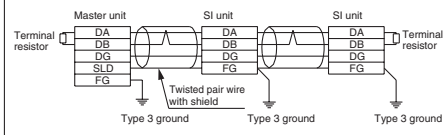
SY

SYJ

SX

	Type K Fuji Electric Co., Ltd. T-LINK Mini System	Type Q DeviceNet	Type R1, R2 OMRON Corporation CompoBus/S																							
Name of terminal block, LED	 <table border="1" style="width: 100%; margin-top: 10px;"> <thead> <tr> <th>LED</th> <th>Description</th> </tr> </thead> <tbody> <tr> <td>POWER</td> <td>ON for power supply input</td> </tr> <tr> <td>ALM</td> <td>ON for abnormal transmission or processor side power supply cut</td> </tr> </tbody> </table>	LED	Description	POWER	ON for power supply input	ALM	ON for abnormal transmission or processor side power supply cut	 <table border="1" style="width: 100%; margin-top: 10px;"> <thead> <tr> <th>LED</th> <th>Description</th> </tr> </thead> <tbody> <tr> <td>PWR</td> <td>Green light ON for DeviceNet circuit power input OFF When this unit is off line or circuit power is OFF</td> </tr> <tr> <td rowspan="4">MOD/ NET</td> <td>Green blinks When waiting for connection (On line)</td> </tr> <tr> <td>Green ON When connection is established (On line)</td> </tr> <tr> <td>Red blinks When connection time out occurs (recoverable communication abnormality)</td> </tr> <tr> <td>Red ON For MAC ID duplication error, or BUSOFF error (major communication abnormality)</td> </tr> </tbody> </table>	LED	Description	PWR	Green light ON for DeviceNet circuit power input OFF When this unit is off line or circuit power is OFF	MOD/ NET	Green blinks When waiting for connection (On line)	Green ON When connection is established (On line)	Red blinks When connection time out occurs (recoverable communication abnormality)	Red ON For MAC ID duplication error, or BUSOFF error (major communication abnormality)	 <table border="1" style="width: 100%; margin-top: 10px;"> <thead> <tr> <th>LED</th> <th>Description</th> </tr> </thead> <tbody> <tr> <td>PWR</td> <td>ON when communication power is supplied, OFF when power is OFF</td> </tr> <tr> <td>COMM</td> <td>ON for normal communication, OFF for abnormal communication or waiting</td> </tr> <tr> <td>ERR</td> <td>ON for abnormal communication, OFF for normal communication or waiting</td> </tr> </tbody> </table>	LED	Description	PWR	ON when communication power is supplied, OFF when power is OFF	COMM	ON for normal communication, OFF for abnormal communication or waiting	ERR	ON for abnormal communication, OFF for normal communication or waiting
LED	Description																									
POWER	ON for power supply input																									
ALM	ON for abnormal transmission or processor side power supply cut																									
LED	Description																									
PWR	Green light ON for DeviceNet circuit power input OFF When this unit is off line or circuit power is OFF																									
MOD/ NET	Green blinks When waiting for connection (On line)																									
	Green ON When connection is established (On line)																									
	Red blinks When connection time out occurs (recoverable communication abnormality)																									
	Red ON For MAC ID duplication error, or BUSOFF error (major communication abnormality)																									
LED	Description																									
PWR	ON when communication power is supplied, OFF when power is OFF																									
COMM	ON for normal communication, OFF for abnormal communication or waiting																									
ERR	ON for abnormal communication, OFF for normal communication or waiting																									
Note	<ul style="list-style-type: none"> • T-LINK Mini System Master unit : FTM100B Converter : FRC100A-G02 Repeater : FRC200A-C10 • No. of output points, 16 points 	<ul style="list-style-type: none"> • DeviceNet • OMRON Corporation: CompoBus/D System Master unit : Type C200HW-DRM21-V1 Master unit : Type CS1W-DRM21 • No. of output points, 16 points 	<ul style="list-style-type: none"> • CompoBus/S System Master unit : Type C200HW-SRM21-V1 Master unit : Type CQM1-SRM21-V1 No. of output points, 16 points (Type SR1) • No. of output points, 8 points (Type SR2) 																							
Cable wiring	 <p>Connect the shielding wire to the SD terminal. If the shielding wire is not connected to the SD terminal, normal transmission will be impossible even for short distances. Furthermore, do not ground the shielding wire (SD).</p>																									

Series SV

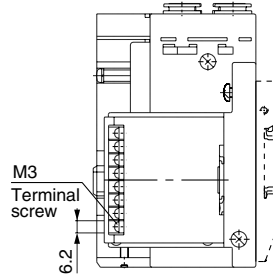
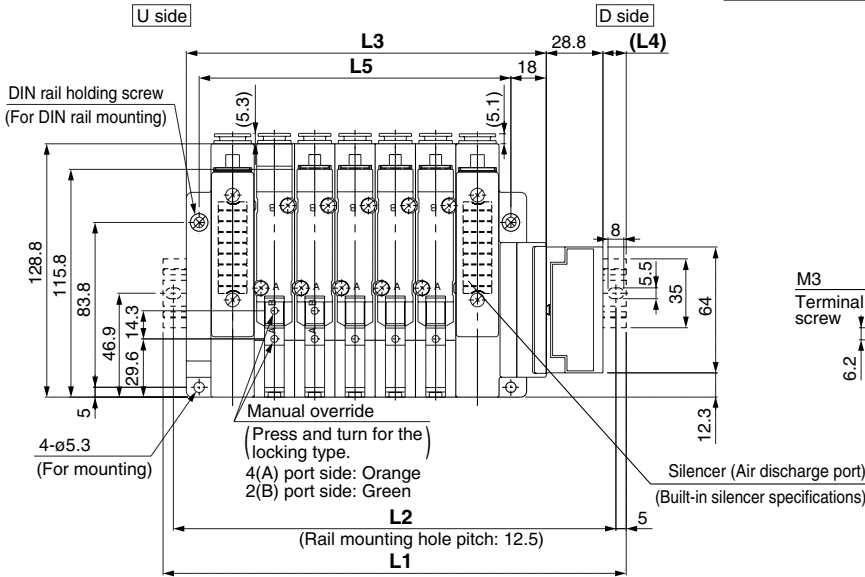
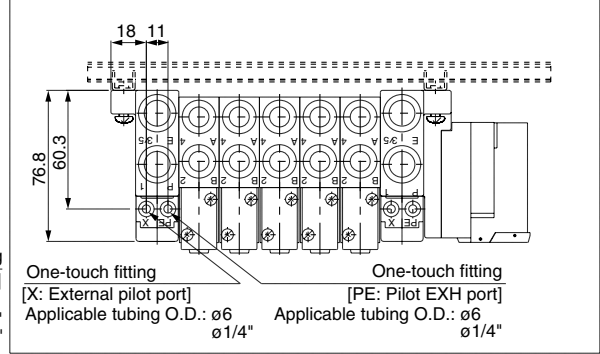
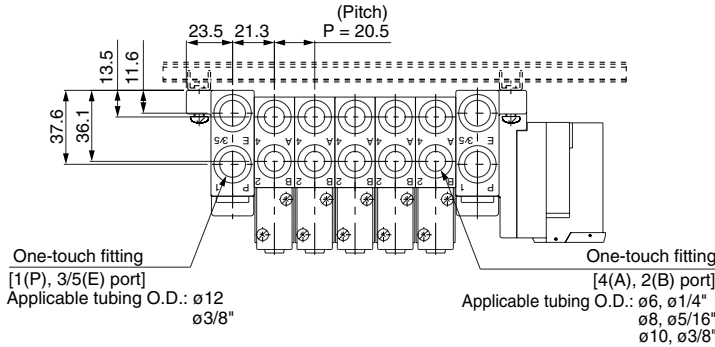
	Type H NKE Corporation Uni-wire H System	Type U JEMANET (JPCN-1)	Type V Mitsubishi Electric Corporation CC-LINK System																										
Name of terminal block, LED	 <table border="1"> <thead> <tr> <th>LED</th> <th>Description</th> </tr> </thead> <tbody> <tr> <td>POWER</td> <td>ON for power supply input (ON when normal, flickers when voltage drops)</td> </tr> <tr> <td>SEND</td> <td>Transmission indication: Blinks when normal, OFF or ON when abnormal</td> </tr> </tbody> </table>	LED	Description	POWER	ON for power supply input (ON when normal, flickers when voltage drops)	SEND	Transmission indication: Blinks when normal, OFF or ON when abnormal	 <table border="1"> <thead> <tr> <th>LED</th> <th>Description</th> </tr> </thead> <tbody> <tr> <td>POWER</td> <td>ON for SI unit power supply input</td> </tr> <tr> <td>COMM</td> <td>On for normal communication</td> </tr> <tr> <td>ALARM</td> <td>ON for abnormal communication</td> </tr> </tbody> </table>	LED	Description	POWER	ON for SI unit power supply input	COMM	On for normal communication	ALARM	ON for abnormal communication	 <table border="1"> <thead> <tr> <th>LED</th> <th>Description</th> </tr> </thead> <tbody> <tr> <td>PW</td> <td>ON when communication power is supplied, OFF when power is OFF</td> </tr> <tr> <td>L RUN</td> <td>ON when normal data is being received</td> </tr> <tr> <td>SD</td> <td>ON when data is transmitted</td> </tr> <tr> <td>RD</td> <td>ON when data is received</td> </tr> <tr> <td>L ERR.</td> <td>ON for transmission error/wrong setting, Blinks when station or transmission speed setting changes during operation</td> </tr> </tbody> </table>	LED	Description	PW	ON when communication power is supplied, OFF when power is OFF	L RUN	ON when normal data is being received	SD	ON when data is transmitted	RD	ON when data is received	L ERR.	ON for transmission error/wrong setting, Blinks when station or transmission speed setting changes during operation
	LED	Description																											
POWER	ON for power supply input (ON when normal, flickers when voltage drops)																												
SEND	Transmission indication: Blinks when normal, OFF or ON when abnormal																												
LED	Description																												
POWER	ON for SI unit power supply input																												
COMM	On for normal communication																												
ALARM	ON for abnormal communication																												
LED	Description																												
PW	ON when communication power is supplied, OFF when power is OFF																												
L RUN	ON when normal data is being received																												
SD	ON when data is transmitted																												
RD	ON when data is received																												
L ERR.	ON for transmission error/wrong setting, Blinks when station or transmission speed setting changes during operation																												
Note	<ul style="list-style-type: none"> • Uni-wire H System Send unit: SD-H2 • No. of output points, 16 points 	<ul style="list-style-type: none"> • JEMANET (JPCN-1) (Reference) AJ71J92-S3 (Mitsubishi Electric Corporation) A1SJ71J92-S3 (Mitsubishi Electric Corporation) Type C200HW-JRM21 (OMRON Corporation) NJ-JPCN-1 (Fuji Electric Co., Ltd.) NP1L-JP1 (Fuji Electric Co., Ltd.) No. of output points, 16 points 	<ul style="list-style-type: none"> • CC-Link System Master unit : AJ61BT11 Master unit : A1SJ61BT11 Master unit : AJ61QBT11 Master unit : A1SJ61QBT11 • No. of output points, 16 points 																										
Cable wiring		<p>a) 2-wire type</p>  <p>b) 3-wire type</p> 																											

Dimensions: Series SV3000 for EX120 Dedicated Output Serial Wiring

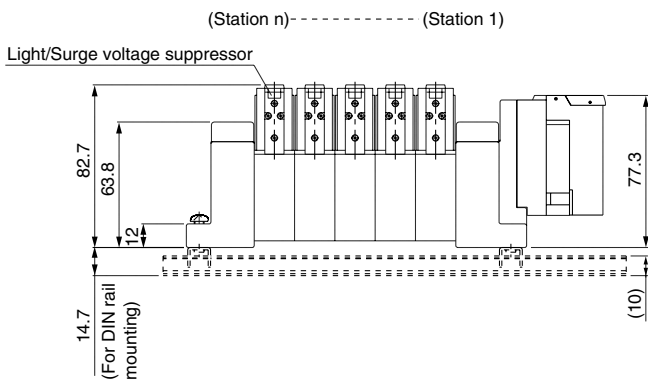
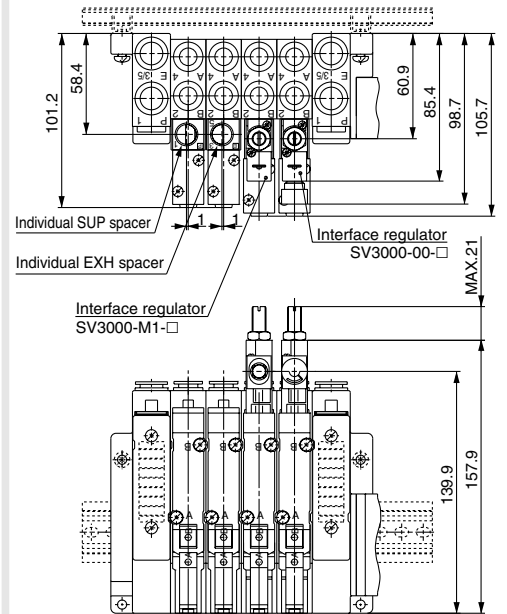
● Tie-rod base manifold: SS5V3-10S3□D-**Stations** $\begin{matrix} U \\ D \end{matrix}$ (S, R, RS) $\begin{matrix} C6, N7 \\ C8, N9 \\ C10, N11 \end{matrix}$ (-D)

- When P, E port outlets are indicated on the U side or D side, the P, E ports on the opposite side are plugged.
- External pilot port positions and silencer discharge port positions are the same as P, E port outlet positions.

With External Pilot Specifications



With option



L Dimension

$\begin{matrix} L \\ n \end{matrix}$	2	3	4	5	6	7	8	9	10	11	12	13	14	15	16
L1	185.5	198	223	235.5	260.5	285.5	298	323	348	360.5	385.5	410.5	423	448	460.5
L2	175	187.5	212.5	225	250	275	287.5	312.5	337.5	350	375	400	412.5	437.5	450
L3	121.5	142	162.5	183	203.5	224	244.5	265	285.5	306	326.5	347	367.5	388	408.5
L4	17.5	13.5	16	12	14	16.5	12.5	14.5	17	13	15	17.5	13.5	15.5	11.5
L5	97	117.5	138	158.5	179	199.5	220	240.5	261	281.5	302	322.5	343	363.5	384

n: Stations

Note) The width of type E (Matsushita Electric Works, Ltd.) and type G (Rockwell Automation, Inc.) SI units are [24.3 mm] greater.
For details, please contact SMC.