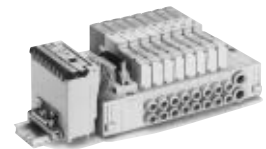


Series SX3000/5000 Base Mounted Manifold Stacking Type DIN Rail Mounted



Type 45S1

Serial Transmission Type (Separated)

How to Order Manifold

SS5X **3** - 45S1 **A** **D** - **05** **U** - **C4** -

Series

3	SX3000
5	SX5000

SI unit

Symbol	Specifications
O	Without SI unit
A	With general type SI unit (Series EX300)
B	Mitsubishi Electric Corp.: MELSECNET/mini-S3 Data Link System
C	OMRON Corp.: SYSBUS Wire System
D	SHARP Corp.: Satellite I/O Link System
E	Matsushita Electric Works: MEWNET-F System
F1	NKE Corp.: Uni-wire System (16 output points)
G	Rockwell Automation: Allen Bradley Remote I/O (RIO) System
H	NKE Corp.: Uni-wire H System
J1	SUNX Corp.: S-LINK System (16 output points)
J2	SUNX Corp.: S-LINK System (8 output points)
K	Fuji Electric Co.: T-LINK Mini System
Q	DeviceNet, CompoBus/D (OMRON Corp.)
R1	OMRON Corp.: CompoBus/S System (16 output points)
R2	OMRON Corp.: CompoBus/S System (8 output points)
U	JEMANET (JPCN-1)
V	Mitsubishi Electric Corp.: CC-LINK System

- For the general purpose type, a transmission unit is required on the CPU side.
- Even though when it is not equipped with SI unit, DIN rail length is long enough for future expectancy of mounting SI unit.

SI unit mounting position

Symbol	Mounting position
U	U side
D	D side

Valve stations

Symbol	Stations	Note
02	2 stations	Double wiring specifications
:	:	
08	8 stations	Applicable up to 16 solenoids. Use the manifold specification sheet to specify the wiring specifications.
:	:	
09	9 stations	Applicable up to 16 solenoids. Use the manifold specification sheet to specify the wiring specifications.
:	:	
16	16 stations	

- This also includes the number of blanking plate assemblies.
- When special wiring is required on manifold with 2 to 8 stations, please use the manifold specification sheet.

A, B port size (Metric size)

Symbol	Port size	Applicable series
C4	One-touch fitting for ø4	SX3000
C6	One-touch fitting for ø6	
M	Mixed	SX5000
C4	One-touch fitting for ø4	
C6	One-touch fitting for ø6	
C8	One-touch fitting for ø8	
M	Mixed	

(Inch size)

Symbol	Port size	Applicable series
N3	One-touch fitting for ø5/32"	SX3000
N7	One-touch fitting for ø1/4"	
M	Mixed	
N3	One-touch fitting for ø5/32"	SX5000
N7	One-touch fitting for ø1/4"	
N9	One-touch fitting for ø5/16"	
M	Mixed	

* In the case of mixed specifications (M), indicate separately on the manifold specification sheet.

SUP/EXH block assembly mounting position

Symbol	Mounting position	Stations
U	U side	2 to 10 stations
D	D side	2 to 10 stations
B	Both sides	2 to 16 stations
M	Special specifications	

* For special specifications, indicate separately by the manifold specification sheet.

Option

When a longer DIN rail is desired than the specified stations, specify the station number to be required. (20 stations maximum)

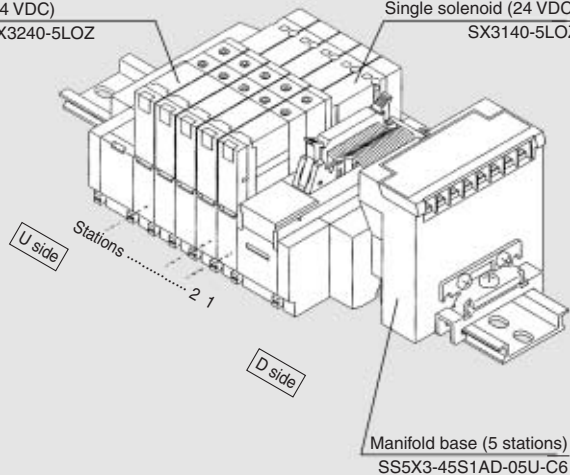
SI Unit Part No.

Symbol	Specifications	For SS5X□-45S	Symbol	Specifications	For SS5X□-45S
A	With general type SI unit (Series EX300)	EX321-S001	J1	SUNX Corp.: S-LINK System (16 output points)	EX121-SSL1
B	Mitsubishi Electric Corp.: MELSECNET/mini-S3 Data Link System	EX321-S001	J2	SUNX Corp.: S-LINK System (8 output points)	EX121-SSL2
C	OMRON Corp.: SYSBUS Wire System	EX121-STA1	K	Fuji Electric Co.: T-LINK Mini System	EX121-SFU1
D	SHARP Corp.: Satellite I/O Link System	EX121-SSH1	Q	DeviceNet, CompoBus/D (OMRON Corp.)	EX121-SDN1
E	Matsushita Electric Works: MEWNET-F System	EX121-SPA1	R1	OMRON Corp.: CompoBus/S System (16 output points)	EX121-SCS1
F1	NKE Corp.: Uni-wire System (16 output points)	EX121-SUW1	R2	OMRON Corp.: CompoBus/S System (8 output points)	EX121-SCS2
G	Rockwell Automation: Allen Bradley Remote I/O (RIO) System	EX121-SAB1	U	JEMANET (JPCN-1)	EX121-SJN1
H	NKE Corp.: Uni-wire H System	EX121-SUH1	V	Mitsubishi Electric Corp.: CC-LINK System	EX121-SMJ1

How to Order Valve Manifold Assembly

Ordering example

Double solenoid (24 VDC) SX3240-5LOZ
Single solenoid (24 VDC) SX3140-5LOZ



SS5X3-45S1AD-05U-C6... 1 set (45S1 with serial 5-station manifold base no.)
*SX3140-5LOZ..... 2 sets (Single solenoid part no.)
*SX3240-5LOZ..... 3 sets (Double solenoid part no.)

* The asterisk denotes the symbol for assembly. Prefix it to the part nos. of the solenoid valve, etc.

- They will be assembled in the order listed starting at the first station at the D side whether the connector box is located at either end. When ordering with the double wiring specification, specify it in order, beginning with the 1 station on the D side.
- For manifolds with more than 8 stations (9 to 16), special wiring is required. Please use the manifold specification sheet.

SV
SZ
SY
SYJ
SX

How to Order Valves

SX **3** **2** **40** - **5** **LOZ** -

Series

3	SX3000
5	SX5000

Type of actuation

1	2 position single
2	2 position double
3	3 position closed center
4	3 position exhaust center
5	3 position pressure center

Rated voltage

5	24 VDC
---	--------

Manual override

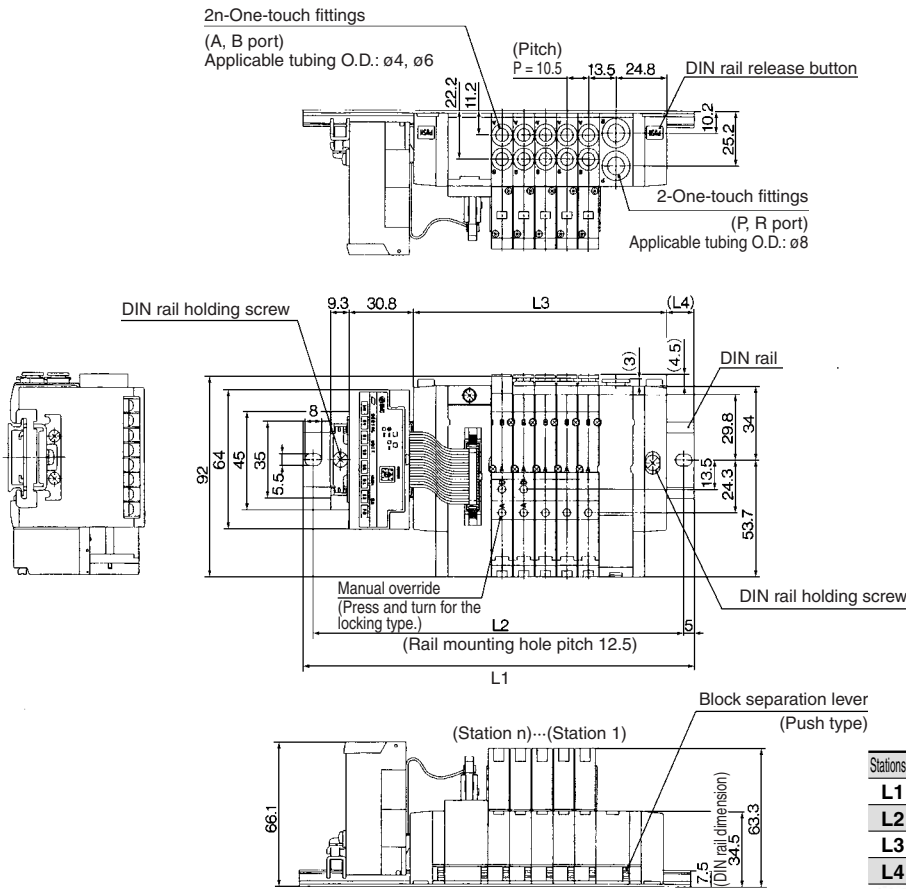
Nil	Non-locking push type
D	Push-turn locking slotted type

SX3000: Serial Transmission Unit/Plug-in

SS5X3-45S1 □ U- Stations D-^{C4}_{C6}



Note) The L1 to L4 dimensions of SS5X3-45S1 □ U- Stations □ are identical to those of SS5X3-45S1 □ U- Stations D- □.

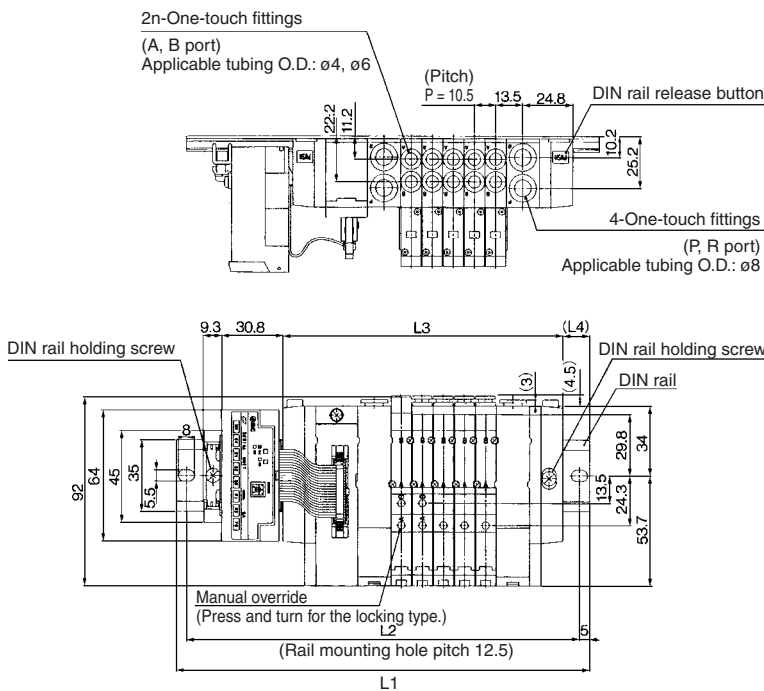


Stations n	2 stations	3	4	5	6	7	8	9	10 stations
L1	160.5	173	185.5	198	198	210.5	223	235.5	248
L2	150	162.5	175	187.5	187.5	200	212.5	225	237.5
L3	91.5	102	112.5	123	133.5	144	154.5	165	175.5
L4	14	15	16	17	12	13	14	15	16



Note) Width of SI unit applicable to "E": Matsushita Electric Works, Ltd. and "G": Rockwell Automation, Inc. widens to [24.3 mm]. For further information, please consult with SMC.

SS5X3-45S1 □ U- Stations B-^{C4}_{C6}



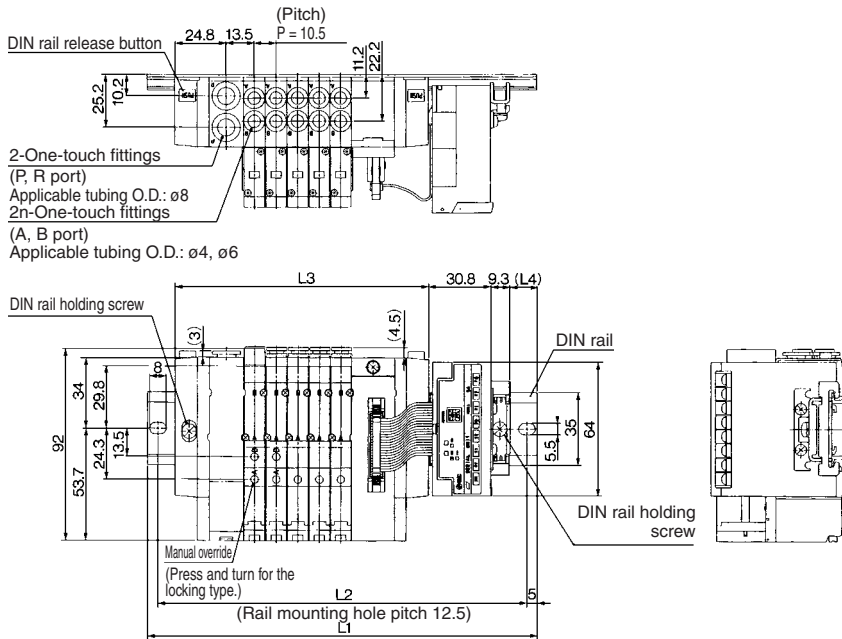
Stations n	2 stations	3	4	5	6	7	8	9	10 stations
L1	173	185.5	198	210.5	223	235.5	248	260.5	
L2	162.5	175	187.5	200	212.5	225	237.5	250	
L3	108	118.5	129	139.5	150	160.5	171	181.5	192
L4	12	13	14	15	16	17	12	13	14

Stations n	11 stations	12	13	14	15	16 stations
L1	273	285.5	298	298	310.5	323
L2	262.5	275	287.5	287.5	300	312.5
L3	202.5	213	223.5	234	244.5	255
L4	15	16	17	11.5	12.5	13.5

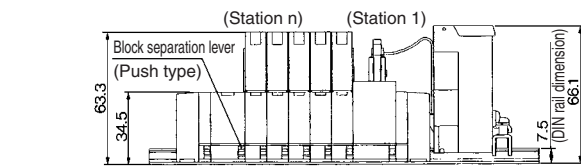


Note) Width of SI unit applicable to "E": Matsushita Electric Works, Ltd. and "G": Rockwell Automation, Inc. widens to [24.3 mm]. For further information, please consult with SMC.

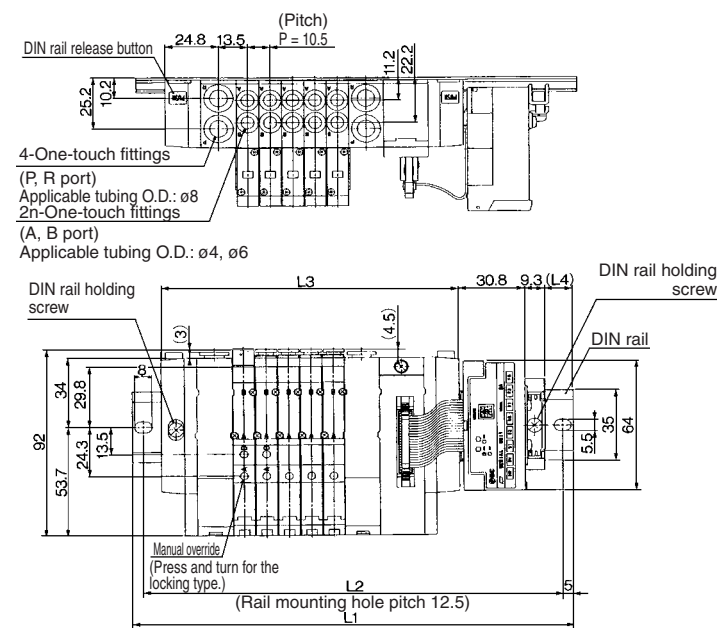
SS5X3-45S1 □D- Stations U- C4 C6



Note) The L1 to L4 dimensions of SS5X3-45S1 □D- [Stations] D-□ are identical to those of SS5X3-45S1 □D- [Stations] U-□.



SS5X3-45S1 □D- Stations B- C4 C6



- SV
- SZ
- SY
- SYJ
- SX

Stations n	2 stations	3	4	5	6	7	8	9	10 stations
L1	160.5	173	185.5	198	198	210.5	223	235.5	248
L2	150	162.5	175	187.5	187.5	200	212.5	225	237.5
L3	91.5	102	112.5	123	133.5	144	154.5	165	175.5
L4	14	15	16	17	12	13	14	15	16



Note) Width of SI unit applicable to "E": Matsushita Electric Works, Ltd. and "G": Rockwell Automation, Inc. widens to [24.3 mm]. For further information, please consult with SMC.

Stations n	2 stations	3	4	5	6	7	8	9	10 stations
L1	173	185.5	198	210.5	223	235.5	235.5	248	260.5
L2	162.5	175	187.5	200	212.5	225	225	237.5	250
L3	108	118.5	129	139.5	150	160.5	171	181.5	192
L4	12	13	14	15	16	17	12	13	14

Stations n	11 stations	12	13	14	15	16 stations
L1	273	285.5	298	298	310.5	323
L2	262.5	275	287.5	287.5	300	312.5
L3	202.5	213	223.5	234	244.5	255
L4	15	16	17	11.5	12.5	13.5



Note) Width of SI unit applicable to "E": Matsushita Electric Works, Ltd. and "G": Rockwell Automation, Inc. widens to [24.3 mm]. For further information, please consult with SMC.