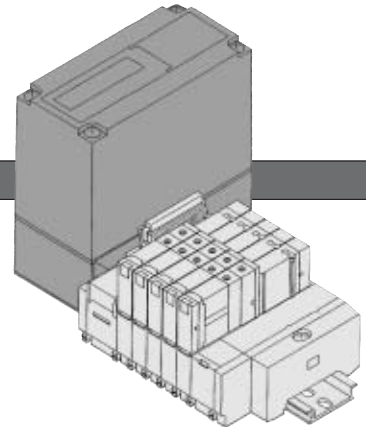


Made to Order Specifications: Series SX3000/5000 Serial Transmission Type With SMC's IN313



Serial Transmission Manifold Equipped with IN313

How to Order Manifold

Type 45S2 (Serial type with IN313)

SS5X 3 - 45S2 U - 06 D - C4 - []

Series

3	SX3000
5	SX5000

SI unit mounting position

Symbol	Mounting position
U	U side
D	D side

Valve stations

Symbol	Stations	Note
02	2 stations	Double wiring specifications
⋮	⋮	
08	8 stations	
09	9 stations	Applicable up to 16 solenoids. Use the manifold specification sheet to specify the wiring specifications.
⋮	⋮	
16	16 stations	



- This also includes the number of blanking plate assemblies.
- When special wiring is required on manifold with 2 to 8 stations, please use the manifold specification sheet.

SUP/EXH block assembly mounting position

Symbol	Mounting position	Stations
U	U side	2 to 10 stations
D	D side	2 to 10 stations
B	Both sides	2 to 16 stations
M	Special specifications	

* For special specifications, indicate separately by the manifold specification sheet.

A, B port size (Metric size)

Symbol	Port size	Applicable series
C4	One-touch fitting for ø4	SX3000
C6	One-touch fitting for ø6	
M	Mixed	
C4	One-touch fitting for ø4	SX5000
C6	One-touch fitting for ø6	
C8	One-touch fitting for ø8	
M	Mixed	

(Inch size)

Symbol	Port size	Applicable series
N3	One-touch fitting for ø5/32"	SX3000
N7	One-touch fitting for ø1/4"	
M	Mixed	
N3	One-touch fitting for ø5/32"	SX5000
N7	One-touch fitting for ø1/4"	
N9	One-touch fitting for ø5/16"	
M	Mixed	

* In the case of mixed specifications (M), indicate separately on the manifold specification sheet.

Option

When a longer DIN rail is desired than the specified stations, specify the station number to be required. (20 stations at maximum)

How to Order Applicable SI Unit

IN313 - MB1

Applicable makers

MB1	For Mitsubishi Electric Corporation
TA1	For OMRON Corporation
FU1	For Fuji Electric Co., Ltd.
SH1	For SHARP Corporation
TY1	For Toyoda Machine Works, Ltd.
TY2	
PA1	For Matsushita Electric Works, Ltd.
HT1	For Hitachi, Ltd.
AB1	For Rockwell Automation, Inc. (Former Allen Bradley)
TS1	For TOSHIBA Corporation

How to Order Valves

SX 3 2 40 - 5 LOZ []

Series

3	SX3000
5	SX5000

Type of actuation

1	2 position single
2	2 position double
3	3 position closed center
4	3 position exhaust center
5	3 position pressure center

Rated voltage

5	24 VDC
---	--------

Manual override

Nil	Non-locking push type
D	Push-turn locking slotted type

