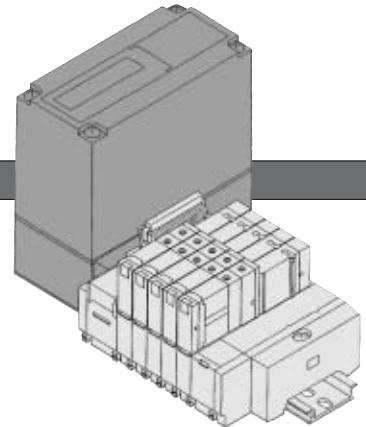


# Made to Order Specifications: Series SX3000/5000 Serial Transmission Type With SMC's IN313



## Serial Transmission Manifold Equipped with IN313

### How to Order Manifold

Type 45S2 (Serial type with IN313)

SS5X **3** - 45S2 **U** - **06** **D** - **C4** - [ ]

**Series**

3	SX3000
5	SX5000

**SI unit mounting position**

Symbol	Mounting position
U	U side
D	D side

**Valve stations**

Symbol	Stations	Note
02	2 stations	Double wiring specifications
⋮	⋮	
08	8 stations	
09	9 stations	Applicable up to 16 solenoids. Use the manifold specification sheet to specify the wiring specifications.
⋮	⋮	
16	16 stations	



- This also includes the number of blanking plate assemblies.
- When special wiring is required on manifold with 2 to 8 stations, please use the manifold specification sheet.

**SUP/EXH block assembly mounting position**

Symbol	Mounting position	Stations
U	U side	2 to 10 stations
D	D side	2 to 10 stations
B	Both sides	2 to 16 stations
M	Special specifications	

\* For special specifications, indicate separately by the manifold specification sheet.

**A, B port size (Metric size)**

Symbol	Port size	Applicable series
C4	One-touch fitting for ø4	SX3000
C6	One-touch fitting for ø6	
M	Mixed	
C4	One-touch fitting for ø4	SX5000
C6	One-touch fitting for ø6	
C8	One-touch fitting for ø8	
M	Mixed	

**(Inch size)**

Symbol	Port size	Applicable series
N3	One-touch fitting for ø5/32"	SX3000
N7	One-touch fitting for ø1/4"	
M	Mixed	
N3	One-touch fitting for ø5/32"	SX5000
N7	One-touch fitting for ø1/4"	
N9	One-touch fitting for ø5/16"	
M	Mixed	

\* In the case of mixed specifications (M), indicate separately on the manifold specification sheet.

**Option**

When a longer DIN rail is desired than the specified stations, specify the station number to be required. (20 stations at maximum)

### How to Order Applicable SI Unit

IN313 - **MB1**

**Applicable makers**

MB1	For Mitsubishi Electric Corporation
TA1	For OMRON Corporation
FU1	For Fuji Electric Co., Ltd.
SH1	For SHARP Corporation
TY1	For Toyoda Machine Works, Ltd.
TY2	
PA1	For Matsushita Electric Works, Ltd.
HT1	For Hitachi, Ltd.
AB1	For Rockwell Automation, Inc. (Former Allen Bradley)
TS1	For TOSHIBA Corporation

### How to Order Valves

SX **3** **2** 40 - **5** **LOZ** [ ]

**Series**

3	SX3000
5	SX5000

**Type of actuation**

1	2 position single
2	2 position double
3	3 position closed center
4	3 position exhaust center
5	3 position pressure center

**Rated voltage**

5	24 VDC
---	--------

**Manual override**

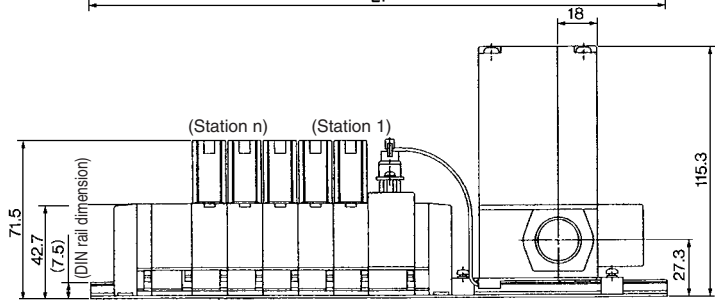
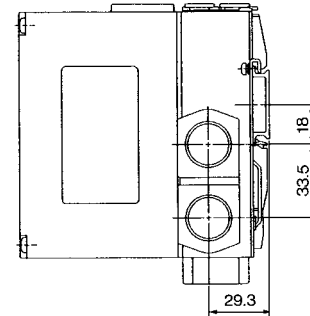
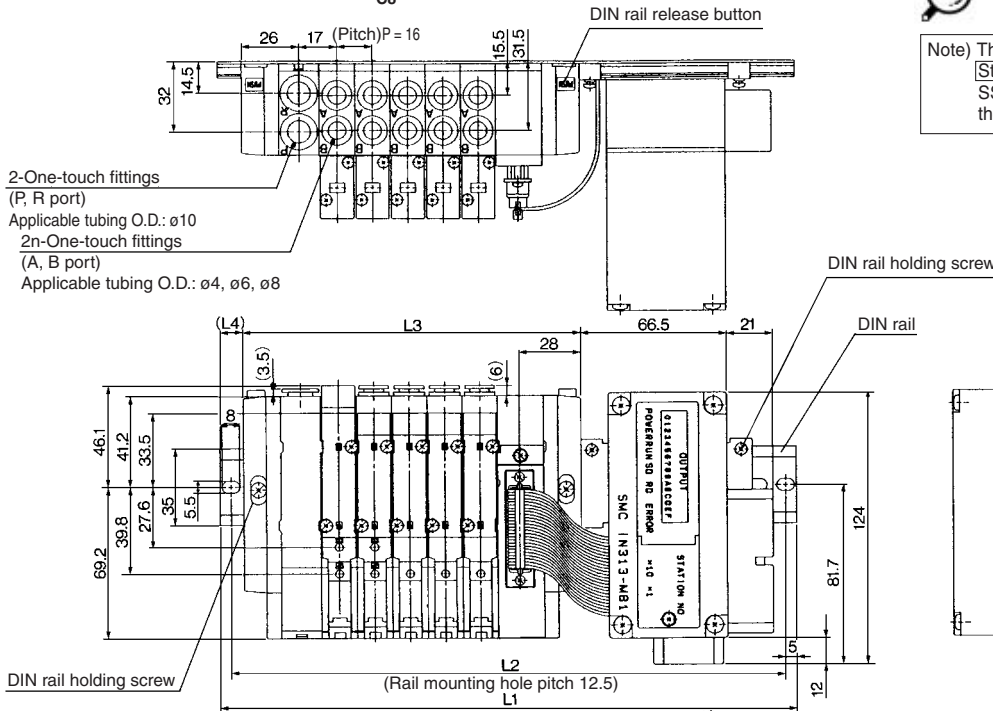
Nil	Non-locking push type
D	Push-turn locking slotted type

# SX5000: Serial Transmission Unit/Plug-in

## SS5X5-45S2D- Stations U-<sup>C4</sup><sub>C6</sub><sub>C8</sub>



Note) The L1 to L4 dimensions of SS5X5-45S2D- [Stations] D-□, SS5X5-45S2U- [Stations] D-□, SS5X5-45S2U- [Stations] U-□ are identical to those of SS5X5-45S2D- [Stations] U-□.



Stations n	2 stations	3	4	5	6	7	8	9	10 stations
L1	210.5	223	248	260.5	273	298	310.5	323	335.5
L2	200	212.5	237.5	250	262.5	287.5	300	312.5	325
L3	105	121	137	153	169	185	201	217	238
L4	13.5	12	16.5	14.5	13	17.5	15.5	14	12

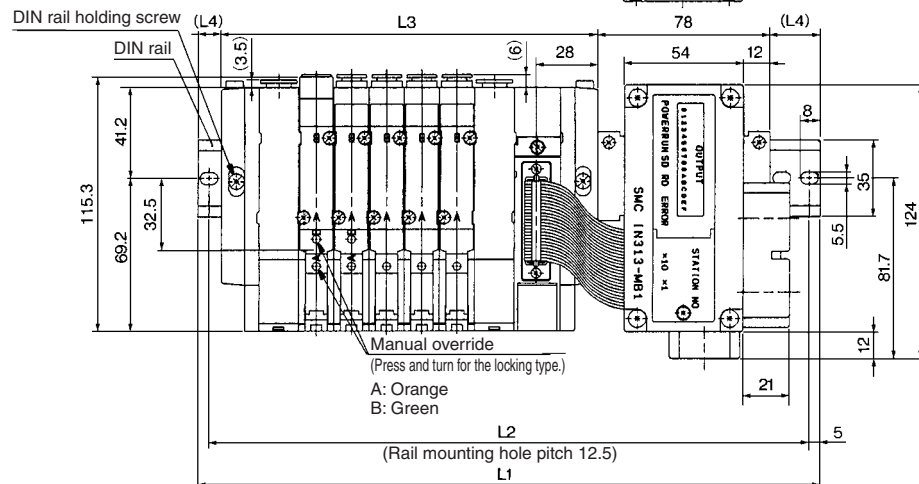
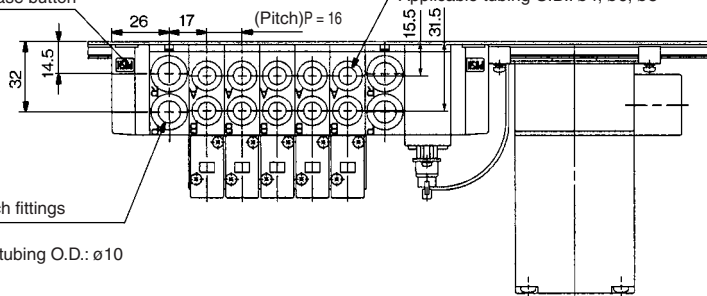


Note) The L1 to L4 dimensions of SS5X5-45S2U- [Stations] B-□ are identical to those of SS5X5-45S2D- [Stations] B-□.

## SS5X5-45S2D- Stations B-<sup>C4</sup><sub>C6</sub><sub>C8</sub>

DIN rail release button

2n-One-touch fittings (A, B port)  
Applicable tubing O.D.: ø4, ø6, ø8



Stations n	2 stations	3	4	5	6	7	8	9 stations
L1	235.5	248	260.5	273	298	310.5	323	348
L2	225	237.5	250	262.5	287.5	300	312.5	337.5
L3	123	139	155	171	187	203	219	235
L4	17	15.5	13.5	12	16.5	14.5	13	17.5

Stations n	10 stations	11	12	13	14	15	16 stations
L1	360.5	373	385.5	410.5	423	435.5	460.5
L2	350	362.5	375	400	412.5	425	450
L3	251	267	283	299	315	331	347
L4	15.5	14	12	16.5	15	13	17.5