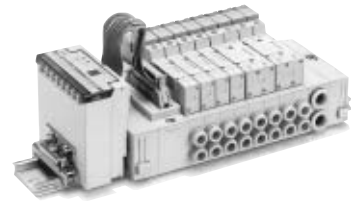


# Series SY3000/5000 Base Mounted Monifold Stacking Type/DIN Rail Mounted Serial Transmission (Separated)



Type 45S1

## How to Order Manifold

SS5Y **3** - 45S1 **A D** - **05 U** - **C4** - [ ]

**Series**

3	SY3000
5	SY5000

**Model**

Symbol	Specifications
<b>0</b>	Without SI unit
<b>A</b>	With general type SI unit (Series EX300)
<b>B</b>	Mitsubishi Electric Corp.: MELSECNET/ MINI-S3 Data Link System
<b>C</b>	OMRON Corp.: SYSBUS Wire System
<b>D</b>	SHARP Corp: Satellite I/O Link System
<b>E</b>	Matsushita Electric Works: MEWNET-F System
<b>F1</b>	NKE Corp.: Uni-wire System (16 outout points)
<b>G</b>	Rockwell Automation: Allen Bradley Remote I/O (RIO) System
<b>H</b>	NKE Corp.: Uni-wire H System
<b>J1</b>	SUNX Corp.: S-LINK System (16 output points)
<b>J2</b>	SUNX Corp.: S-LINK System (8 output points)
<b>K</b>	Fuji Electric Co.: T-LINK Mini System
<b>Q</b>	DeviceNet, CompoBus/D (OMRON Corp.)
<b>R1</b>	OMRON Corp.: CompoBus/S System (16 output points)
<b>R2</b>	OMRON Corp.: CompoBus/S System (8 output points)
<b>U</b>	JEMANET (JPCN-1)
<b>V</b>	Mitsubishi Electric Corp.: CC-LINK System

- For the general purpose type, a transmission unit is require on the CPU side.
- Even though when it is not equipped with SI unit, DIN rail length is long enough for future expectancy of mounting SI unit. When a shorter rail is required (same as type 45□), suffix "0" in the optional blank at the end of part number.
- For SI unit specifications, Refer to pages 1-4-171 to 1-4-173.

**SI unit mounting position**

Symbol	Mounting position
<b>U</b>	U side
<b>D</b>	D side

**Option**

When a longer DIN rail is desired than the specified stations, specify the station number to be required. (Max. 20 stations)

**A, B port size**

**One-touch fitting (Metric size)**

Symbol	Port size	Applicable series
<b>C4</b>	One-touch fitting for ø4	SY3000
<b>C6</b>	One-touch fitting for ø6	
<b>M</b>	Mixed	
<b>C4</b>	One-touch fitting for ø4	SY5000
<b>C6</b>	One-touch fitting for ø6	
<b>C8</b>	One-touch fitting for ø8	
<b>M</b>	Mixed	

**One-touch fitting (Inch size)**

Symbol	Port size	Applicable series
<b>N3</b>	One-touch fitting for ø 5/32"	SY3000
<b>N7</b>	One-touch fitting for ø 1/4"	
<b>M</b>	Mixed	
<b>N3</b>	One-touch fitting for ø 5/32"	SY5000
<b>N7</b>	One-touch fitting for ø 1/4"	
<b>N9</b>	One-touch fitting for ø 5/16"	
<b>M</b>	Mixed	

\* In the case of mixed specifications, indicate separately on the manifold specification sheet.

**SUP/EXH block assembly mounting position**

Symbol	Mounting position	Stations
<b>U</b>	U side	2 to 10 stations
<b>D</b>	D side	2 to 10 stations
<b>B</b>	Both sides	2 to 16 stations
<b>M</b>	Special specifications	

\* For special specifications, indicate separately on the manifold specification sheet.

**Valve stations**

Symbol	Stations	Note
<b>02</b>	2 stations	Single wiring spec. (Applicable up to 16 solenoid valves.)
⋮	⋮	
<b>16</b>	16 stations	

\* This also includes the number of blanking plate assemblies.  
\* Two stations are necessary for the double, 3 position (Dual body type).

## SI Unit Part No.

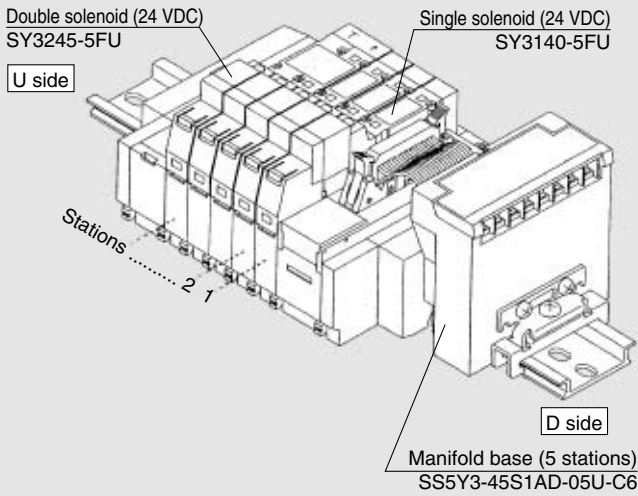
Symbol	Specifications	For SS5Y□-45S1	Symbol	Specifications:	For SS5Y□-45S1
<b>A</b>	With general type SI unit (Series EX300)	EX321-S001	<b>J1</b>	SUNX Corp.: S-LINK System (16 output points)	EX121-SSL1
<b>B</b>	Mitsubishi Electric Corp.: MELSECNET/ MINI-S3 Data Link System	EX121-SMB1	<b>J2</b>	SUNX Corp.: S-LINK System (8 output points)	EX121-SSL2
<b>C</b>	OMRON Corp.: SYSBUS Wire System	EX121-STA1	<b>K</b>	Fuji Electric Co.: T-LINK Mini System	EX121-SFU1
<b>D</b>	SHARP Corp.: Satellite I/O Link System	EX121-SSH1	<b>Q</b>	Device Net: CompoBus/D (OMRON Corp.)	EX121-SDN1
<b>E</b>	Matsushita Electric Works: MEWNET-F System	EX121-SPA1	<b>R1</b>	OMRON Corp.: CompoBus/S (16 output points)	EX121-SCS1
<b>F1</b>	NKE Corp.: Uni-wire System (16 output points)	EX121-SUW1	<b>R2</b>	OMRON Corp.: CompoBus/S (8 output points)	EX121-SCS2
<b>G</b>	Rockwell Automation: Allen Bradley Remote I/O (RIO) System	EX121-SAB1	<b>U</b>	JEMANET (JPCN-1)	EX121-SJN1
<b>H</b>	NKE Corp.: Uni-wire H System	EX121-SUH1	<b>V</b>	Mitsubishi Electric Corp.: CC-LINK System	EX121-SMJ1

\* For terminal LED descriptions and cable wiring, etc. for each SI unit, refer to pages 1-4-171 to 1-4-173.

For external pilot specifications and built-in silencer, refer to catalog on page 1-4-196.

## How to Order Valve Manifold Assembly

### Ordering example



SS5Y3-45S1AD-05U-C6	1 set	(Type 45S1 with serial unit 5 station manifold base part no.)
* SY3140-5FU	3 sets	(Single solenoid part no.)
* SY3245-5FU	1 set	(Double solenoid part no.)

The asterisk denotes the symbol for assembly.  
Prefix it to the part nos. of the solenoid valve, etc.

- The valve arrangement is numbered as the 1st. station from D side regardless of the mounting position of SI unit.
- When ordering double solenoid valves/3 position (Dual body type), please keep in mind that they require two manifold stations.

## How to Order Valves

2 position single **SY** **3** **1** **4** **0** — **5** **FU**   

Double, 3 position **SY** **3** **2** **4** **5** — **5** **FU**   

**Series**

3	SY3000
5	SY5000

**Type of actuation**

2	2 position double
3	3 position closed center
4	3 position exhaust center
5	3 position pressure center

**Dual body type (Double, 3 position)**

5	24 VDC
---	--------

**Rated voltage**

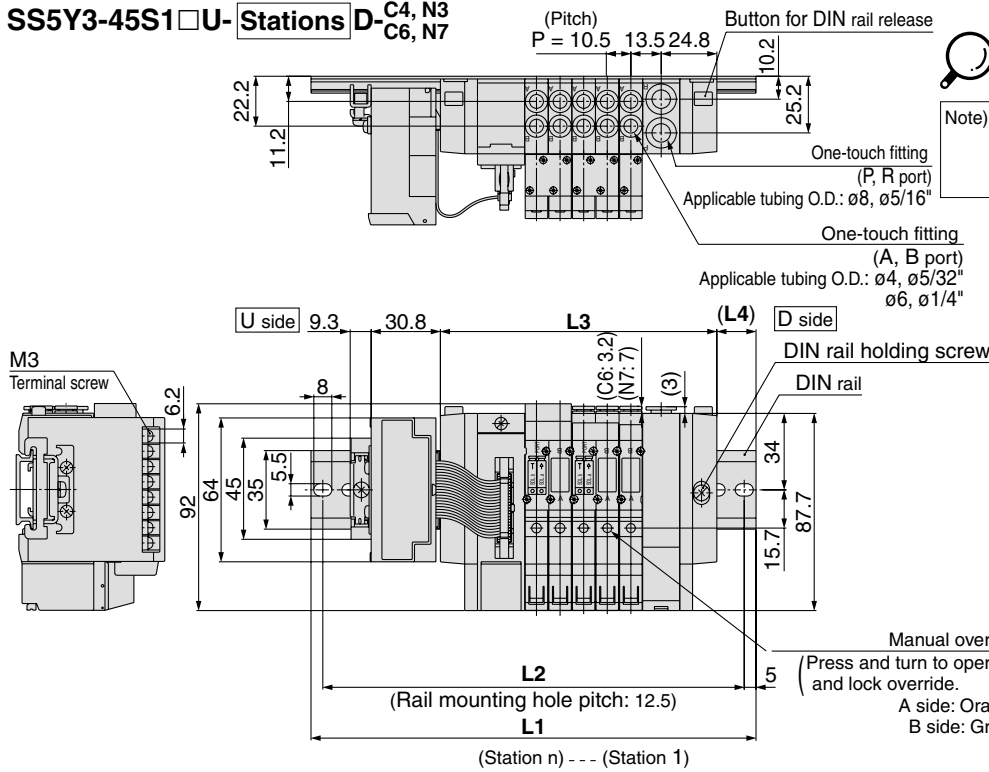
**Manual override**

Nil	Non-locking push type
D	Push-turn locking slotted type
E	Push-turn locking lever type

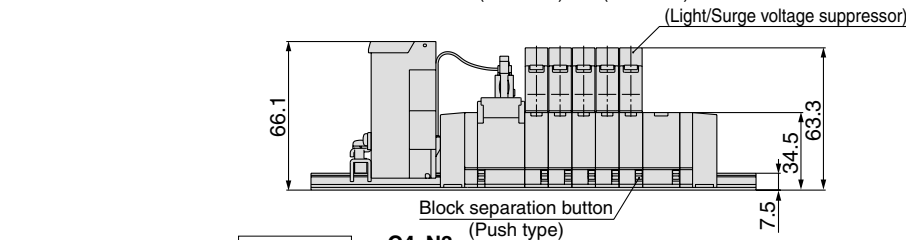
SV  
SZ  
SY  
SYJ  
SX

### SY3000: Serial Transmission Unit/Plug-in

#### SS5Y3-45S1 □ U- Stations D- C4, N3 C6, N7



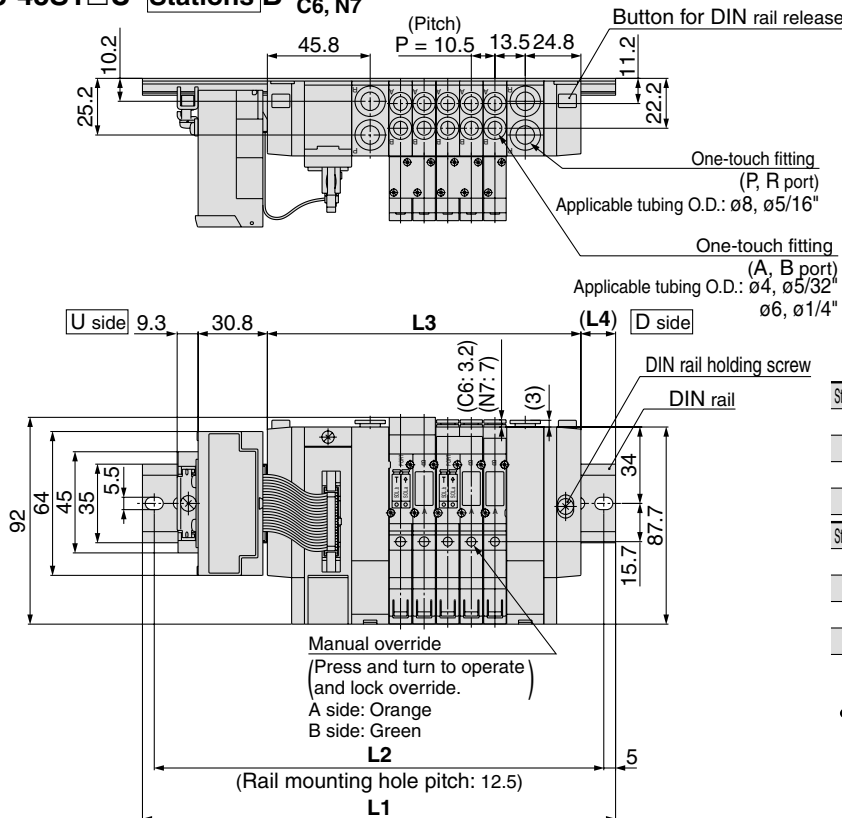
Note) The L1 to L4 dimensions of **SS5Y3-45S1 □ U-** Stations U- C4, N3 C6, N7 are identical to those of SS5Y3-45S1 □ U- Stations D- C4, N3 C6, N7.



Stations n	2 stations	3	4	5	6	7	8	9	10 stations
<b>L1</b>	160.5	173	185.5	198	198	210.5	223	235.5	248
<b>L2</b>	150	162.5	175	187.5	187.5	200	212.5	225	237.5
<b>L3</b>	91.5	102	112.5	123	133.5	144	154.5	165	175.5
<b>L4</b>	14	15	16	17	12	13	14	15	16

Note) Width of SI unit applicable to "E": Matsushita Electric Works, Ltd. and "G": Rockwell Automation, Inc. widens to **24.3 mm**. For further information, please consult with SMC.

#### SS5Y3-45S1 □ U- Stations B- C4, N3 C6, N7



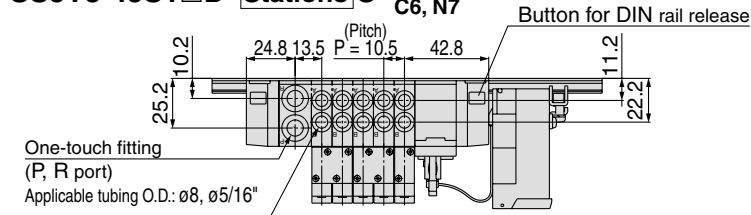
Stations n	2 stations	3	4	5	6	7	8	9	10 stations
<b>L1</b>	173	185.5	198	210.5	223	235.5	235.5	248	260.5
<b>L2</b>	162.5	175	187.5	200	212.5	225	225	237.5	250
<b>L3</b>	108	118.5	129	139.5	150	160.5	171	181.5	192
<b>L4</b>	12	13	14	15	16	17	12	13	14

Stations n	11 stations	12	13	14	15	16 stations
<b>L1</b>	273	285.5	298	298	310.5	323
<b>L2</b>	262.5	275	287.5	287.5	300	312.5
<b>L3</b>	202.5	213	223.5	234	244.5	255
<b>L4</b>	15	16	17	11.5	12.5	13.5

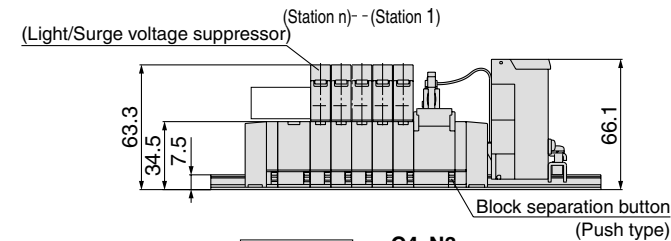
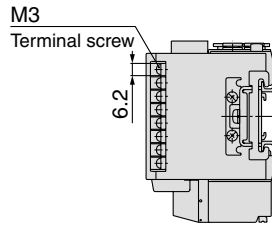
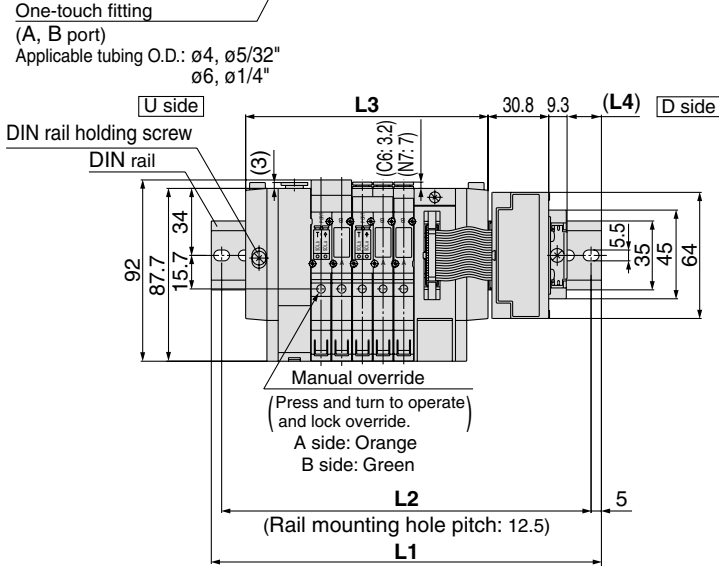
Note) Width of SI unit applicable to "E": Matsushita Electric Works, Ltd. and "G": Rockwell Automation, Inc. widens to **24.3 mm**. For further information, please consult with SMC.

# SY3000: Serial Transmission Unit/Plug-in

## SS5Y3-45S1 □ D- Stations U- C4, N3 C6, N7



Note) The L1 to L4 dimensions of SS5Y3-45S1 □ D- Stations U- C4, N3 C6, N7 are identical to those of SS5Y3-45S1 □ D- Stations U- C4, N3 C6, N7.

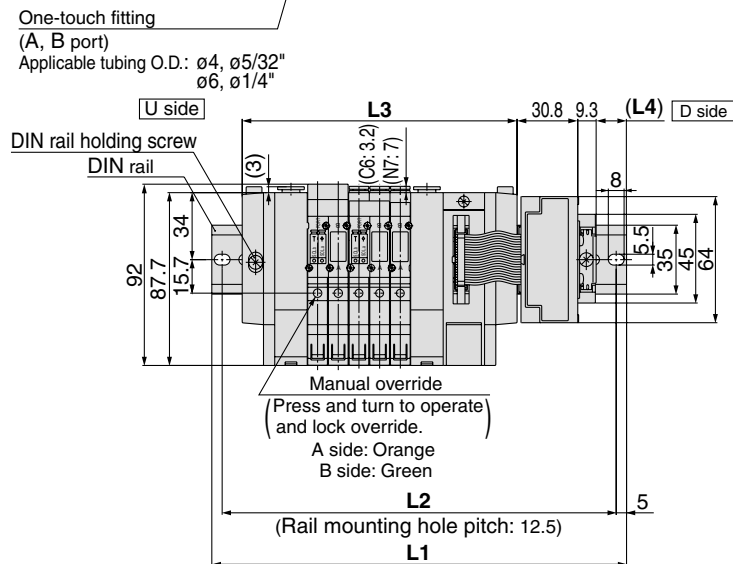
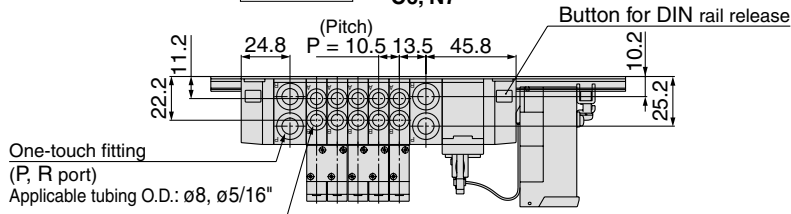


Stations n	2 stations	3	4	5	6	7	8	9	10 stations
L1	160.5	173	185.5	198	198	210.5	223	235.5	248
L2	150	162.5	175	187.5	187.5	200	212.5	225	237.5
L3	91.5	102	112.5	123	133.5	144	154.5	165	175.5
L4	14	15	16	17	12	13	14	15	16



Note) Width of SI unit applicable to "E": Matsushita Electric Works, Ltd. and "G": Rockwell Automation, Inc. widens to 24.3 mm. For further information, please consult with SMC.

## SS5Y3-45S1 □ D- Stations B- C4, N3 C6, N7



Stations n	2 stations	3	4	5	6	7	8	9	10 stations
L1	173	185.5	198	210.5	223	235.5	235.5	248	260.5
L2	162.5	175	187.5	200	212.5	225	225	237.5	250
L3	108	118.5	129	139.5	150	160.5	171	181.5	192
L4	12	13	14	15	16	17	12	13	14

Stations n	11 stations	12	13	14	15	16 stations
L1	273	285.5	298	298	310.5	323
L2	262.5	275	287.5	287.5	300	312.5
L3	202.5	213	223.5	234	244.5	255
L4	15	16	17	11.5	12.5	13.5



Note) Width of SI unit applicable to "E": Matsushita Electric Works, Ltd. and "G": Rockwell Automation, Inc. widens to 24.3 mm. For further information, please consult with SMC.

SV

SZ

SY

SYJ

SX