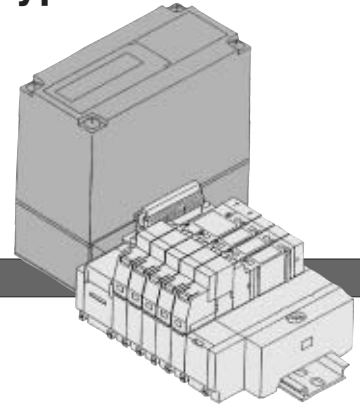


# Made to Order Specifications: Series *SX3000/5000* Serial Transmission Type With **SMC's IN313**



## Serial Transmission Manifold Equipped with SMC's IN313

### How to Order Manifold

Type 45S2 (Serial type with IN313)

**SS5Y 3-45S2 U-06 D-C4** [ ] [ ]

Series •

|   |        |
|---|--------|
| 3 | SY3000 |
| 5 | SY5000 |

SI unit mounting position •

| Symbol | Mounting position |
|--------|-------------------|
| U      | U side            |
| D      | D side            |

Valve stations •

| Symbol | Stations    | Note   |
|--------|-------------|--|
| 02     | 2 stations  | Single wiring spec.<br>(Applicable up to<br>16 solenoid valves.) |
| :      | :           |  |
| 16     | 16 stations |  |



- \* This also includes the number of blanking plate assemblies.
- \* Two stations are necessary for the double, 3 position (Dual body type).

SUP/EXH block assembly mounting position •

| Symbol | Mounting position      | Stations         |
|--------|------------------------|------------------|
| U      | U side                 | 2 to 10 stations |
| D      | D side                 | 2 to 10 stations |
| B      | Both sides             | 2 to 16 stations |
| M      | Special specifications |                  |

- \* For special specifications, indicate separately on the manifold specification sheet.

A, B port size •

One-touch fitting (Metric size)

| Symbol | Port size                | Applicable series |
|--------|--------------------------|-------------------|
| C4     | One-touch fitting for ø4 | SY3000            |
| C6     | One-touch fitting for ø6 |                   |
| M      | Mixed                    |                   |
| C4     | One-touch fitting for ø4 | SY5000            |
| C6     | One-touch fitting for ø6 |                   |
| C8     | One-touch fitting for ø8 |                   |
| M      | Mixed                    |                   |

One-touch fitting (Inch size)

| Symbol | Port size                    | Applicable series |
|--------|------------------------------|-------------------|
| N3     | One-touch fitting for ø5/32" | SY3000            |
| N7     | One-touch fitting for ø1/4"  |                   |
| M      | Mixed                        |                   |
| N3     | One-touch fitting for ø5/32" | SY5000            |
| N7     | One-touch fitting for ø1/4"  |                   |
| N9     | One-touch fitting for ø5/16" |                   |
| M      | Mixed                        |                   |

- \* In the case of mixed specifications, indicate separately on the manifold specification sheet.

Option •

When a longer DIN rail is desired than the specified stations, specify the station number to be required. (20 stations at maximum)



For external pilot specifications and built-in silencer, refer to page 1-4-196.

### How to Order Applicable SI Unit

**IN313 — MB1**

• Applicable makers

|     |                                     |
|-----|-------------------------------------|
| MB1 | For Mitsubishi Electric Corporation |
| TA1 | For OMRON Corporation               |
| FU1 | For Fuji Electric Co., Ltd.         |
| SH1 | For SHARP Corporation               |
| TY1 | For Toyoda Machine Works, Ltd.      |
| TY2 |                                     |
| PA1 | For Matsushita Electric Works Ltd.  |
| HT1 | For Hitachi, Ltd.                   |
| AB1 | For Rockwell Automation, Inc.       |
| TS1 | For TOSHIBA Corporation             |

### How to Order Valves

2 position single **SY 3 1 4 0 — 5 FU** [ ]

Double, 3 position **SY 3 2 4 5 — 5 FU** [ ]

Series •

|   |        |
|---|--------|
| 3 | SY3000 |
| 5 | SY5000 |

Type of actuation •

|   |                            |
|---|----------------------------|
| 2 | 2 position double          |
| 3 | 3 position closed center   |
| 4 | 3 position exhaust center  |
| 5 | 3 position pressure center |

Dual body type (Double, 3 position) •

Rated voltage •

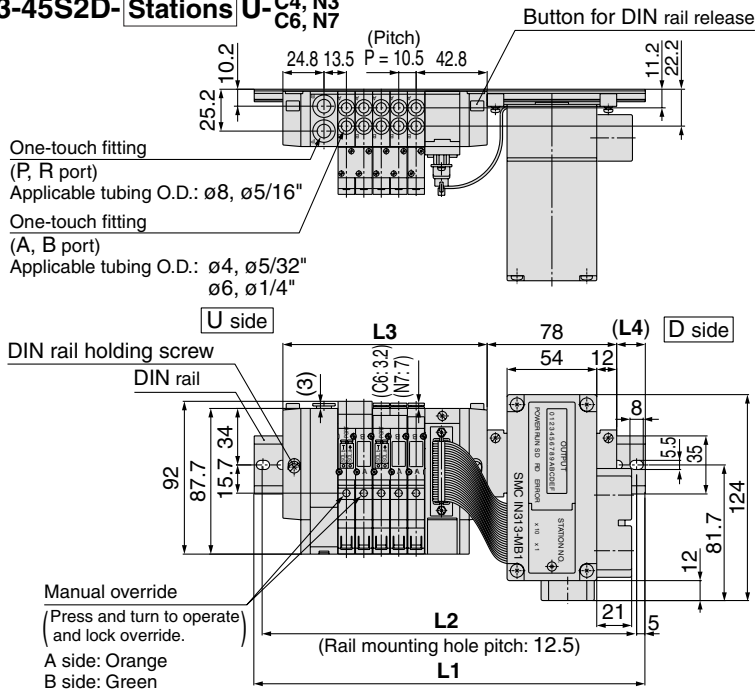
|   |        |
|---|--------|
| 5 | 24 VDC |
|---|--------|

Manual override •

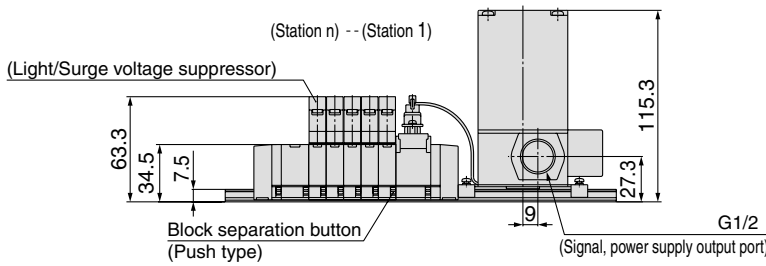
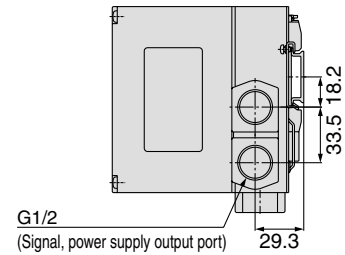
|     |                                |
|-----|--------------------------------|
| Nil | Non-locking push type          |
| D   | Push-turn locking slotted type |
| E   | Push-turn locking lever type   |

### SY3000: Serial Transmission Unit/Plug-in

#### SS5Y3-45S2D- Stations U-C<sub>4</sub>, N<sub>3</sub> C<sub>6</sub>, N<sub>7</sub>

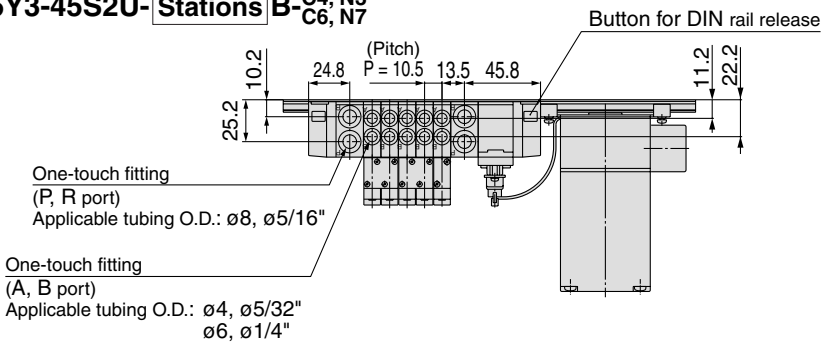


Note) The L1 to L4 dimensions of **SS5Y3-45S2D- Stations D-C<sub>4</sub>, N<sub>3</sub> C<sub>6</sub>, N<sub>7</sub>**, **SS5Y3-45S2U- Stations D-C<sub>4</sub>, N<sub>3</sub> C<sub>6</sub>, N<sub>7</sub>**, **SS5Y3-45S2D- Stations U-C<sub>4</sub>, N<sub>3</sub> C<sub>6</sub>, N<sub>7</sub>** are identical to those of SS5Y3-45S2D- Stations U-C<sub>4</sub>, N<sub>3</sub> C<sub>6</sub>, N<sub>7</sub>.

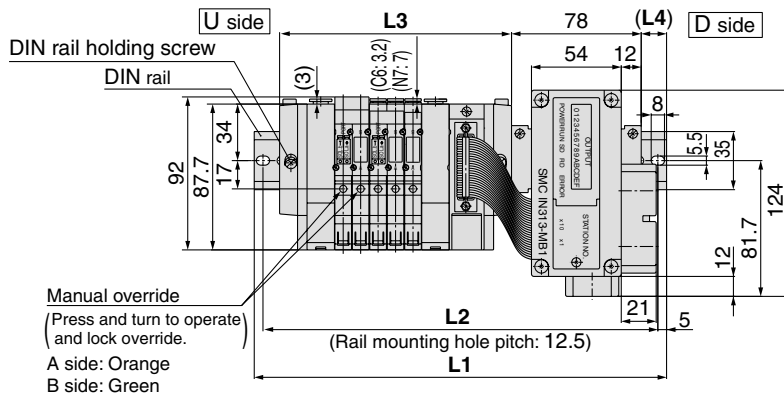


| Stations n | 2 stations | 3     | 4     | 5     | 6     | 7     | 8     | 9     | 10 stations |
|------------|------------|-------|-------|-------|-------|-------|-------|-------|-------------|
| L1         | 198        | 210.5 | 223   | 235.5 | 235.5 | 248   | 260.5 | 273   | 285.5       |
| L2         | 187.5      | 200   | 212.5 | 225   | 225   | 237.5 | 250   | 262.5 | 275         |
| L3         | 91.5       | 102   | 112.5 | 123   | 133.5 | 144   | 154.5 | 165   | 175.5       |
| L4         | 14         | 15    | 16    | 17    | 12    | 13    | 14    | 15    | 16          |

#### SS5Y3-45S2U- Stations B-C<sub>4</sub>, N<sub>3</sub> C<sub>6</sub>, N<sub>7</sub>



Note) The L1 to L4 dimensions of **SS5Y3-45SU- Stations B-C<sub>4</sub>, N<sub>3</sub> C<sub>6</sub>, N<sub>7</sub>** are identical to those of SS5Y3-45SD- Stations B-C<sub>4</sub>, N<sub>3</sub> C<sub>6</sub>, N<sub>7</sub>.



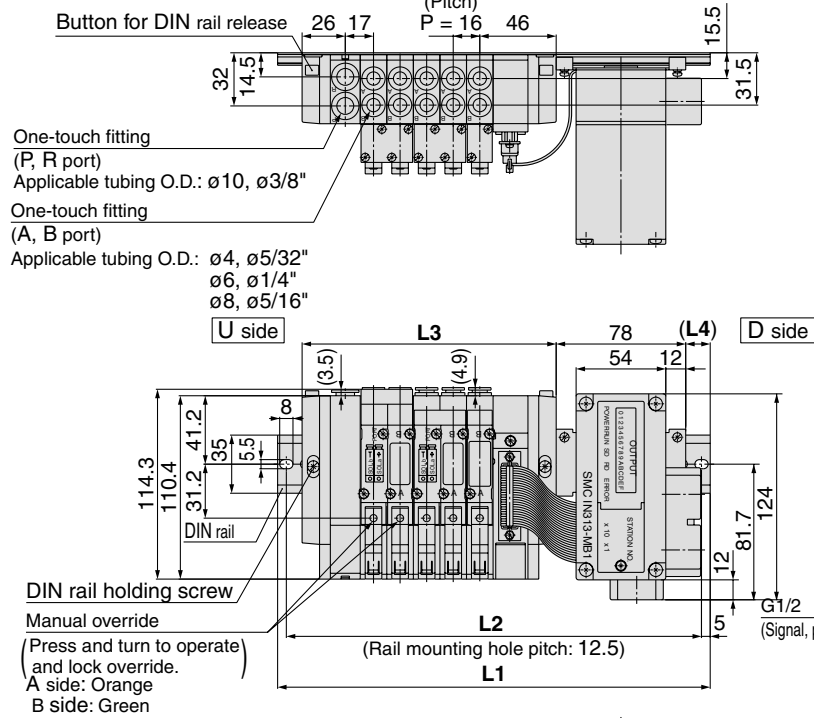
| Stations n | 2 stations | 3     | 4     | 5     | 6     | 7     | 8     | 9 stations |
|------------|------------|-------|-------|-------|-------|-------|-------|------------|
| L1         | 210.5      | 223   | 235.5 | 248   | 260.5 | 273   | 273   | 285.5      |
| L2         | 200        | 212.5 | 225   | 237.5 | 250   | 262.5 | 262.5 | 275        |
| L3         | 108        | 118.5 | 129   | 139.5 | 150   | 160.5 | 171   | 181.5      |
| L4         | 12         | 13    | 14    | 15    | 16    | 17    | 12    | 13         |

| Stations n | 10 stations | 11    | 12    | 13    | 14    | 15    | 16 stations |
|------------|-------------|-------|-------|-------|-------|-------|-------------|
| L1         | 298         | 310.5 | 323   | 335.5 | 335.5 | 348   | 360.5       |
| L2         | 287.5       | 300   | 312.5 | 325   | 325   | 337.5 | 350         |
| L3         | 192         | 202.5 | 213   | 223.5 | 234   | 244.5 | 255         |
| L4         | 14          | 15    | 16    | 17    | 11.5  | 12.5  | 13.5        |

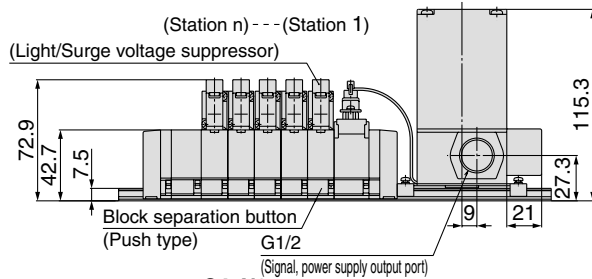
## SY5000: Serial Transmission Unit/Plug-in

### SS5Y3-45S2D- Stations U-C4, N3, C6, N7, C8, N9



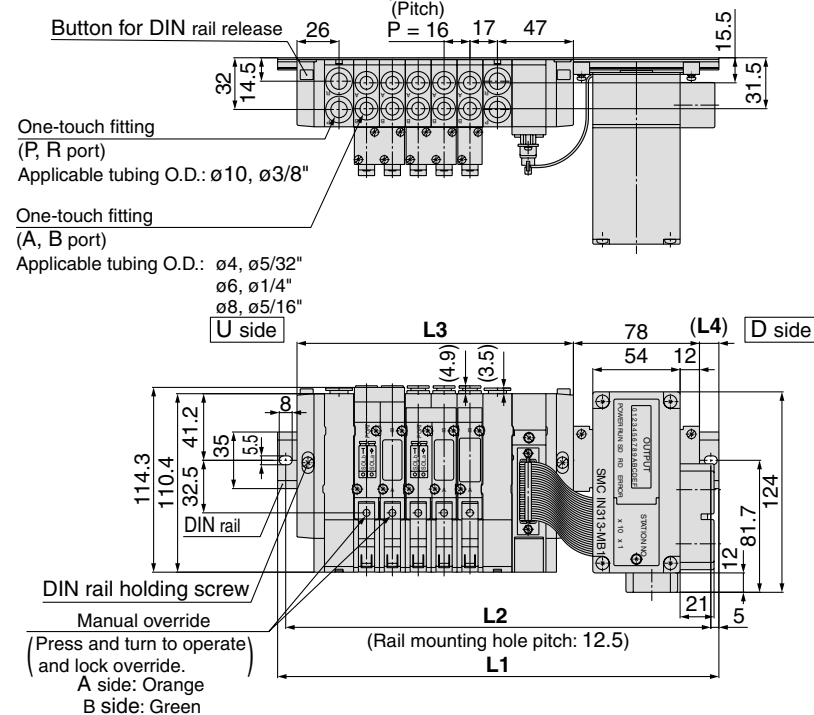
Note) The L1 to L4 dimensions of SS5Y3-45S2D-

Stations D-C4, N3, C6, N7, C8, N9, SS5Y3-45S2U- Stations D-C4, N3, C6, N7, C8, N9  
SS5Y3-45S2U- Stations U-C4, N3, C6, N7, C8, N9 are identical to those of SS5Y3-45S2D- Stations U-C4, N3, C6, N7, C8, N9.



| Stations n | 2 stations | 3     | 4     | 5     | 6     | 7     | 8     | 9     | 10 stations |
|------------|------------|-------|-------|-------|-------|-------|-------|-------|-------------|
| L1         | 210.5      | 223   | 248   | 260.5 | 273   | 298   | 310.5 | 323   | 335.5       |
| L2         | 200        | 212.5 | 237.5 | 250   | 262.5 | 287.5 | 300   | 312.5 | 325         |
| L3         | 105        | 121   | 137   | 153   | 169   | 185   | 201   | 217   | 233         |
| L4         | 13.5       | 12    | 16.5  | 14.5  | 13    | 17.5  | 15.5  | 14    | 12          |

### SS5Y5-45S2U- Stations B-C4, N3, C6, N7, C8, N9



Note) The L1 to L4 dimensions of SS5Y5-45S2U-

Stations B-C4, N3, C6, N7, C8, N9 are identical to those of SS5Y5-45S2D- Stations B-C4, N3, C6, N7, C8, N9.

| Stations n | 2 stations | 3     | 4     | 5     | 6     | 7     | 8     | 9 stations |
|------------|------------|-------|-------|-------|-------|-------|-------|------------|
| L1         | 235.5      | 248   | 260.5 | 273   | 298   | 310.5 | 323   | 348        |
| L2         | 225        | 237.5 | 250   | 262.5 | 287.5 | 300   | 312.5 | 337.5      |
| L3         | 123        | 139   | 155   | 171   | 187   | 203   | 219   | 235        |
| L4         | 17         | 15.5  | 13.5  | 12    | 16.5  | 14.5  | 13    | 17.5       |

| Stations n | 10 stations | 11    | 12    | 13    | 14    | 15    | 16 stations |
|------------|-------------|-------|-------|-------|-------|-------|-------------|
| L1         | 360.5       | 373   | 385.5 | 410.5 | 423   | 435.5 | 460.5       |
| L2         | 350         | 362.5 | 375   | 400   | 412.5 | 425   | 450         |
| L3         | 251         | 267   | 283   | 299   | 315   | 331   | 347         |
| L4         | 15.5        | 14    | 12    | 16.5  | 15    | 13    | 17.5        |