

Type **45S3**

Made to Order Specifications: Series **SX3000/5000** Serial Transmission Type With **OMRON Corp's G71-OD16**

Serial Transmission Manifold Equipped with OMRON Corp's Transmission Unit G71-OD16

How to Order Manifold

Type 45S3 (Serial type with transmission unit)

SS5Y 3 - 45S3 **U** - 06 **D** - **C4**

Series

| | |
|---|--------|
| 3 | SY3000 |
| 5 | SY5000 |

Specifications

| Symbol | Specifications |
|---------------------|---------------------------|
| Nil | With transmission unit |
| 0 ^(Note) | Without transmission unit |

Note) Even though when it is not equipped with transmission unit, DIN rail length is long enough for future expectancy of mounting transmission unit. When a shorter rail is required (same as type 45□), suffix "0" in the optional blank at the end of part number.

Transmission unit mounting position

| Symbol | Mounting position |
|--------|-------------------|
| U | U side |
| D | D side |

Valve stations

| Symbol | Stations | Note |
|--------|-------------|--|
| 02 | 2 stations | Single wiring spec. (Applicable up to 16 solenoid valves.) |
| ⋮ | ⋮ | |
| 16 | 16 stations | |

* This also includes the number of blanking plate assemblies.
* Two stations are necessary for the double, 3 position (Dual body type).

SUP/EXH block assembly mounting position

| Symbol | Mounting position | Stations |
|--------|-------------------|------------------------|
| U | U side | 2 to 10 stations |
| D | D side | 2 to 10 stations |
| B | (Both sides) | 2 to 16 stations |
| M | | Special specifications |

* For special specifications, indicate separately on the manifold specification sheet.

A, B port size

One-touch fitting (Metric size)

| Symbol | Port size | Applicable series |
|--------|--------------------------|-------------------|
| C4 | One-touch fitting for ø4 | SY3000 |
| C6 | One-touch fitting for ø6 | |
| M | Mixed | |
| C4 | One-touch fitting for ø4 | SY5000 |
| C6 | One-touch fitting for ø6 | |
| C8 | One-touch fitting for ø8 | |
| M | Mixed | |

One-touch fitting (Inch size)

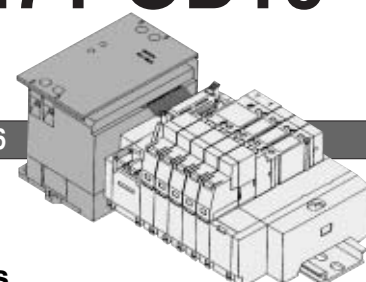
| Symbol | Port size | Applicable series |
|--------|-------------------------------|-------------------|
| N3 | One-touch fitting for ø 5/32" | SY3000 |
| N7 | One-touch fitting for ø 1/4" | |
| M | Mixed | |
| N3 | One-touch fitting for ø 5/32" | SY5000 |
| N7 | One-touch fitting for ø 1/4" | |
| N9 | One-touch fitting for ø 5/16" | |
| M | Mixed | |

* In the case of mixed specifications, indicate separately on the manifold specification sheet.

Option

When a longer DIN rail is desired than the specified stations, specify the station number to be required. (20 stations at maximum)

For external pilot specifications and built-in silencer, refer to page 1-4-196.



How to Order Valves

2 position single **SY 3 1 4 0 - 5 FU**

Double, 3 position **SY 3 2 4 5 - 5 FU**

Series

| | |
|---|--------|
| 3 | SY3000 |
| 5 | SY5000 |

Type of actuation

| | |
|---|----------------------------|
| 2 | 2 position double |
| 3 | 3 position closed center |
| 4 | 3 position exhaust center |
| 5 | 3 position pressure center |

Dual body type (Double, 3 position)

Rated voltage

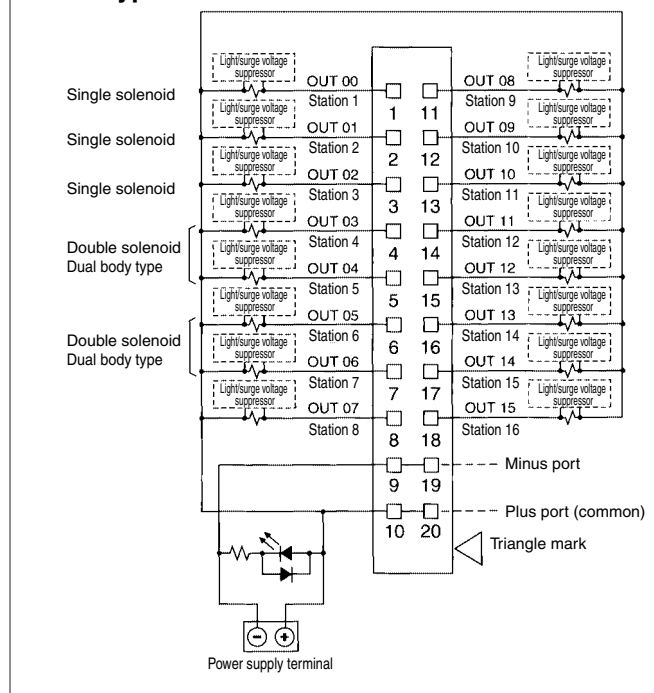
| | |
|---|--------|
| 5 | 24 VDC |
|---|--------|

Manual override

| | |
|-----|--------------------------------|
| Nil | Non-locking push type |
| D | Push-turn locking slotted type |
| E | Push-turn locking lever type |

Internal Wiring of Manifold

Serial Type 45S3 (Example of arrangement)



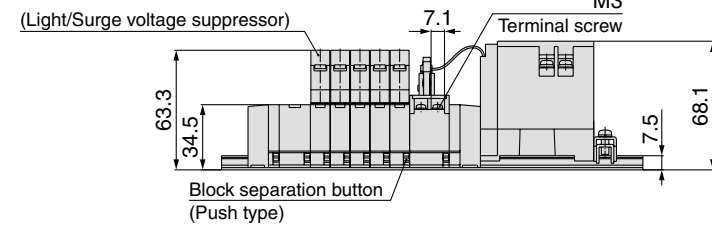
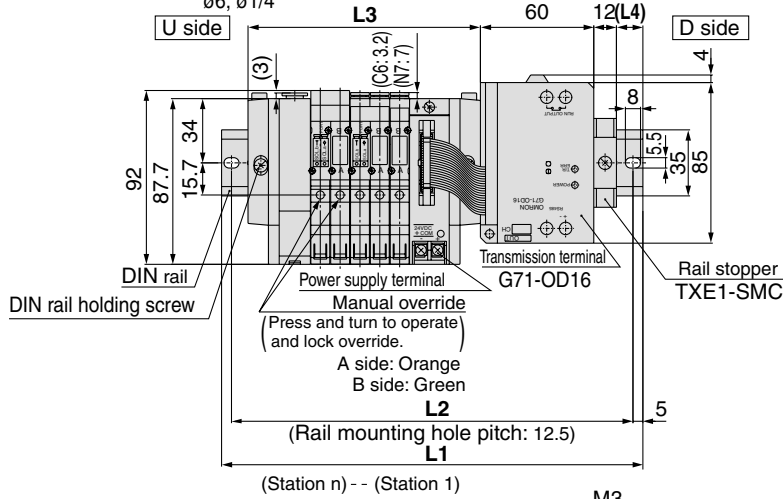
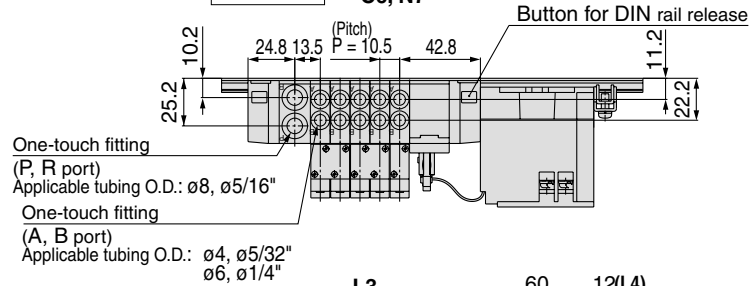
- For specifications on OMRON Corp's transmitter terminals, refer to the instruction manual or the catalog of transmitter terminals, etc.
- Max. 16 solenoids are applicable. Please consult with SMC for more solenoids.

Caution

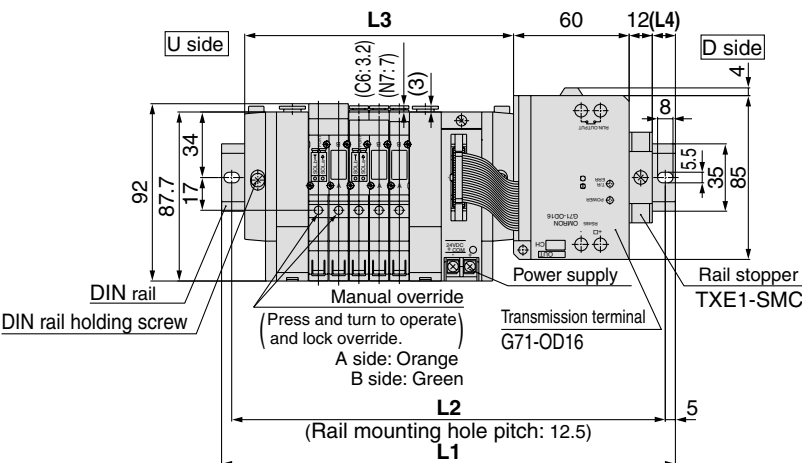
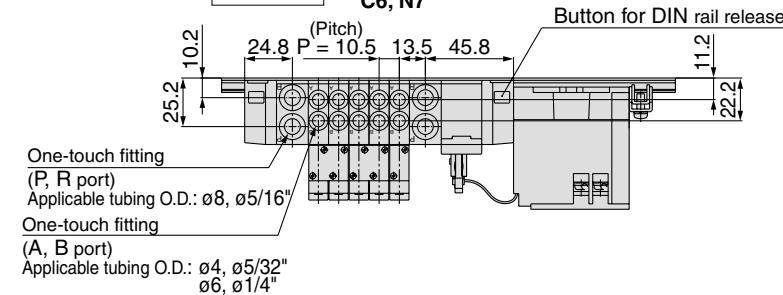
- The wiring specifications for SS5Y₃-45S30 are different from those for SS5Y₃-45PG.

SY3000: Serial Transmission Unit/Plug-in

SS5Y3-45S3D- Stations U-C4, N3 C6, N7



SS5Y3-45S3D- Stations B-C4, N3 C6, N7



Note) The L1 to L4 dimensions of SS5Y3-45S3D- Stations D-C4, N3 C6, N7, SS5Y3-45S3U- Stations D-C4, N3 C6, N7, SS5Y3-45S3U- Stations U-C4, N3 C6, N7 are identical to those of SS5Y3-45S3D- Stations U-C4, N3 C6, N7.

| Stations n | 2 stations | 3 | 4 | 5 | 6 | 7 | 8 | 9 | 10 stations |
|------------|------------|-------|-------|-------|-------|-------|-------|-------|-------------|
| L1 | 198 | 198 | 210.5 | 223 | 235.5 | 248 | 260.5 | 260.5 | 273 |
| L2 | 187.5 | 187.5 | 200 | 212.5 | 225 | 237.5 | 250 | 250 | 262.5 |
| L3 | 91.5 | 102 | 112.5 | 123 | 133.5 | 144 | 154.5 | 165 | 175.5 |
| L4 | 17 | 12 | 13 | 14 | 15 | 16 | 17 | 11.5 | 12.5 |



Note) The L1 to L4 dimensions of SS5Y3-45S3U- Stations B-C4, N3 C6, N7 are identical to those of SS5Y3-45S3D- Stations B-C4, N3 C6, N7.

| Stations n | 2 stations | 3 | 4 | 5 | 6 | 7 | 8 | 9 stations |
|------------|------------|-------|-------|-------|-------|-------|-------|------------|
| L1 | 210.5 | 223 | 235.5 | 235.5 | 248 | 260.5 | 273 | 285.5 |
| L2 | 200 | 212.5 | 225 | 225 | 237.5 | 250 | 262.5 | 275 |
| L3 | 108 | 118.5 | 129 | 139.5 | 150 | 160.5 | 171 | 181.5 |
| L4 | 15 | 16 | 17 | 12 | 13 | 14 | 15 | 16 |

| Stations n | 10 stations | 11 | 12 | 13 | 14 | 15 | 16 stations |
|------------|-------------|-------|-------|-------|-------|-------|-------------|
| L1 | 298 | 298 | 310.5 | 323 | 335.5 | 348 | 360.5 |
| L2 | 287.5 | 287.5 | 300 | 312.5 | 325 | 337.5 | 350 |
| L3 | 192 | 202.5 | 213 | 223.5 | 234 | 244.5 | 255 |
| L4 | 17 | 11.5 | 12.5 | 13.5 | 14.5 | 15.5 | 16.5 |