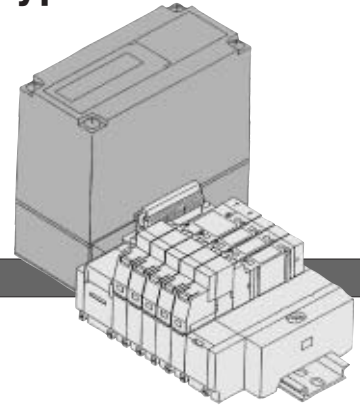


Made to Order Specifications: Series **SX3000/5000** Serial Transmission Type With **SMC's IN313**



Serial Transmission Manifold Equipped with SMC's IN313

How to Order Manifold

Type 45S2 (Serial type with IN313)

SS5Y 3-45S2 U-06 D-C4 []

Series •

3	SY3000
5	SY5000

SI unit mounting position •

Symbol	Mounting position
U	U side
D	D side

Valve stations •

Symbol	Stations	Note
02	2 stations	Single wiring spec. (Applicable up to 16 solenoid valves.)
:	:	
16	16 stations	



- * This also includes the number of blanking plate assemblies.
- * Two stations are necessary for the double, 3 position (Dual body type).

SUP/EXH block assembly mounting position •

Symbol	Mounting position	Stations
U	U side	2 to 10 stations
D	D side	2 to 10 stations
B	Both sides	2 to 16 stations
M	Special specifications	

- * For special specifications, indicate separately on the manifold specification sheet.

A, B port size •

One-touch fitting (Metric size)

Symbol	Port size	Applicable series
C4	One-touch fitting for ø4	SY3000
C6	One-touch fitting for ø6	
M	Mixed	
C4	One-touch fitting for ø4	SY5000
C6	One-touch fitting for ø6	
C8	One-touch fitting for ø8	
M	Mixed	

One-touch fitting (Inch size)

Symbol	Port size	Applicable series
N3	One-touch fitting for ø5/32"	SY3000
N7	One-touch fitting for ø1/4"	
M	Mixed	
N3	One-touch fitting for ø5/32"	SY5000
N7	One-touch fitting for ø1/4"	
N9	One-touch fitting for ø5/16"	
M	Mixed	

- * In the case of mixed specifications, indicate separately on the manifold specification sheet.

Option •

When a longer DIN rail is desired than the specified stations, specify the station number to be required. (20 stations at maximum)



For external pilot specifications and built-in silencer, refer to page 1-4-196.

How to Order Applicable SI Unit

IN313 — MB1

• Applicable makers

MB1	For Mitsubishi Electric Corporation
TA1	For OMRON Corporation
FU1	For Fuji Electric Co., Ltd.
SH1	For SHARP Corporation
TY1	For Toyoda Machine Works, Ltd.
TY2	
PA1	For Matsushita Electric Works Ltd.
HT1	For Hitachi, Ltd.
AB1	For Rockwell Automation, Inc.
TS1	For TOSHIBA Corporation

How to Order Valves

2 position single **SY 3 1 4 0 — 5 FU** []

Double, 3 position **SY 3 2 4 5 — 5 FU** []

Series •

3	SY3000
5	SY5000

Type of actuation •

2	2 position double
3	3 position closed center
4	3 position exhaust center
5	3 position pressure center

Dual body type (Double, 3 position) •

Rated voltage •

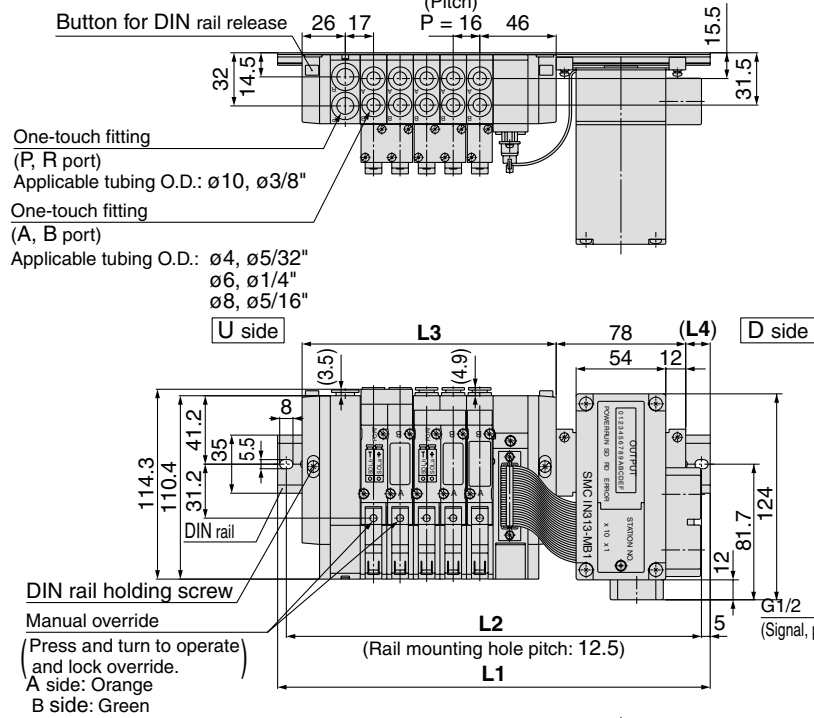
5	24 VDC
---	--------

Manual override •

Nil	Non-locking push type
D	Push-turn locking slotted type
E	Push-turn locking lever type

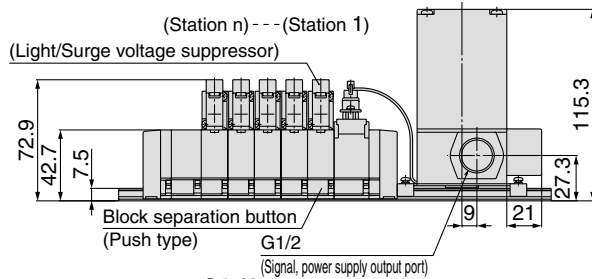
SY5000: Serial Transmission Unit/Plug-in

SS5Y3-45S2D- Stations U-C4, N3, C6, N7, C8, N9



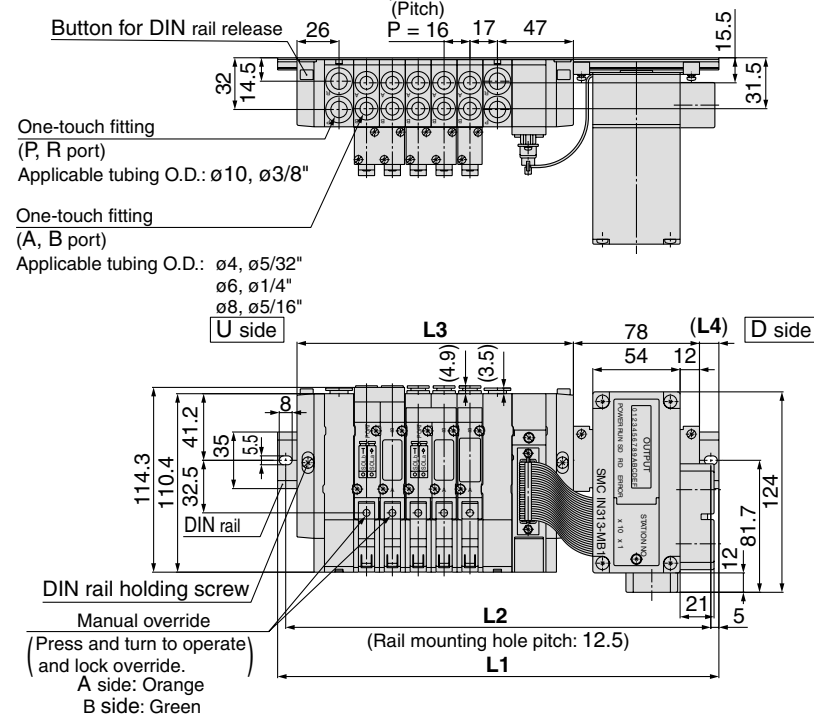
Note) The L1 to L4 dimensions of SS5Y3-45S2D-

Stations D-C4, N3, C6, N7, C8, N9, SS5Y3-45S2U- Stations D-C4, N3, C6, N7, C8, N9
SS5Y3-45S2U- Stations U-C4, N3, C6, N7, C8, N9 are identical to those of SS5Y3-45S2D- Stations U-C4, N3, C6, N7, C8, N9.



Stations n	2 stations	3	4	5	6	7	8	9	10 stations
L1	210.5	223	248	260.5	273	298	310.5	323	335.5
L2	200	212.5	237.5	250	262.5	287.5	300	312.5	325
L3	105	121	137	153	169	185	201	217	233
L4	13.5	12	16.5	14.5	13	17.5	15.5	14	12

SS5Y5-45S2U- Stations B-C4, N3, C6, N7, C8, N9



Note) The L1 to L4 dimensions of SS5Y5-45S2U-

Stations B-C4, N3, C6, N7, C8, N9 are identical to those of SS5Y5-45S2D- Stations B-C4, N3, C6, N7, C8, N9.

Stations n	2 stations	3	4	5	6	7	8	9 stations
L1	235.5	248	260.5	273	298	310.5	323	348
L2	225	237.5	250	262.5	287.5	300	312.5	337.5
L3	123	139	155	171	187	203	219	235
L4	17	15.5	13.5	12	16.5	14.5	13	17.5

Stations n	10 stations	11	12	13	14	15	16 stations
L1	360.5	373	385.5	410.5	423	435.5	460.5
L2	350	362.5	375	400	412.5	425	450
L3	251	267	283	299	315	331	347
L4	15.5	14	12	16.5	15	13	17.5