

Type **45S3**

Made to Order Specifications: Series *SX3000/5000* Serial Transmission Type With OMRON Corp's G71-OD16

Serial Transmission Manifold Equipped with OMRON Corp's Transmission Unit G71-OD16

How to Order Manifold

Type 45S3 (Serial type with transmission unit)

SS5Y 3 - 45S3 **U** - 06 **D** - **C4**

Series

3	SY3000
5	SY5000

Specifications

Symbol	Specifications
Nil	With transmission unit
0 ^(Note)	Without transmission unit

Note) Even though when it is not equipped with transmission unit, DIN rail length is long enough for future expectancy of mounting transmission unit. When a shorter rail is required (same as type 45□), suffix "0" in the optional blank at the end of part number.

Transmission unit mounting position

Symbol	Mounting position
U	U side
D	D side

Valve stations

Symbol	Stations	Note
02	2 stations	Single wiring spec. (Applicable up to 16 solenoid valves.)
:	:	
16	16 stations	

* This also includes the number of blanking plate assemblies.
* Two stations are necessary for the double, 3 position (Dual body type).

SUP/EXH block assembly mounting position

Symbol	Mounting position	Stations
U	U side	2 to 10 stations
D	D side	2 to 10 stations
B	(Both sides)	2 to 16 stations
M		Special specifications

* For special specifications, indicate separately on the manifold specification sheet.

A, B port size

One-touch fitting (Metric size)

Symbol	Port size	Applicable series
C4	One-touch fitting for ø4	SY3000
C6	One-touch fitting for ø6	
M	Mixed	
C4	One-touch fitting for ø4	SY5000
C6	One-touch fitting for ø6	
C8	One-touch fitting for ø8	
M	Mixed	

One-touch fitting (Inch size)

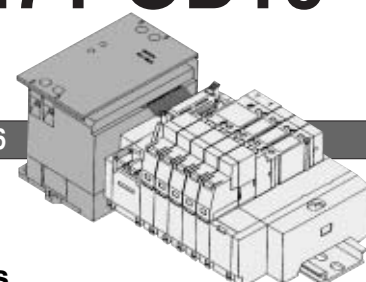
Symbol	Port size	Applicable series
N3	One-touch fitting for ø 5/32"	SY3000
N7	One-touch fitting for ø 1/4"	
M	Mixed	
N3	One-touch fitting for ø 5/32"	SY5000
N7	One-touch fitting for ø 1/4"	
N9	One-touch fitting for ø 5/16"	
M	Mixed	

* In the case of mixed specifications, indicate separately on the manifold specification sheet.

Option

When a longer DIN rail is desired than the specified stations, specify the station number to be required. (20 stations at maximum)

For external pilot specifications and built-in silencer, refer to page 1-4-196.



How to Order Valves

2 position single **SY 3 1 4 0 - 5 FU**

Double, 3 position **SY 3 2 4 5 - 5 FU**

Series

3	SY3000
5	SY5000

Type of actuation

2	2 position double
3	3 position closed center
4	3 position exhaust center
5	3 position pressure center

Dual body type (Double, 3 position)

Rated voltage

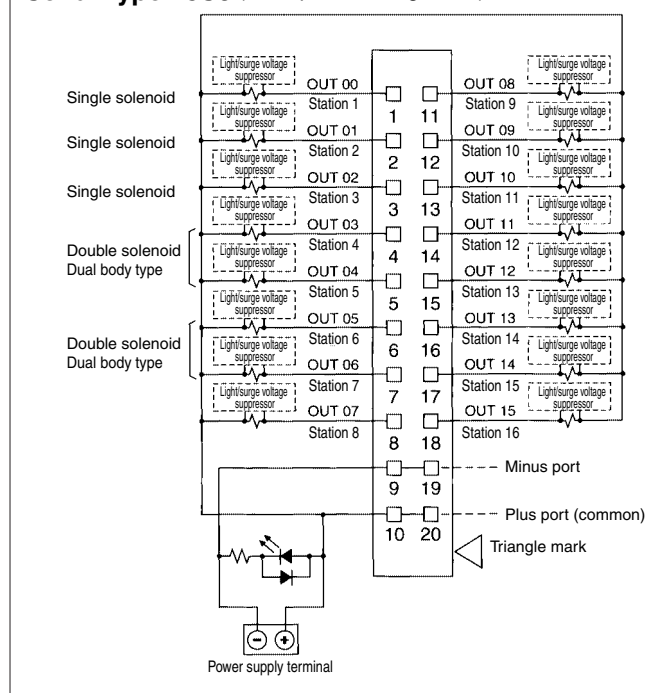
5	24 VDC
---	--------

Manual override

Nil	Non-locking push type
D	Push-turn locking slotted type
E	Push-turn locking lever type

Internal Wiring of Manifold

Serial Type 45S3 (Example of arrangement)



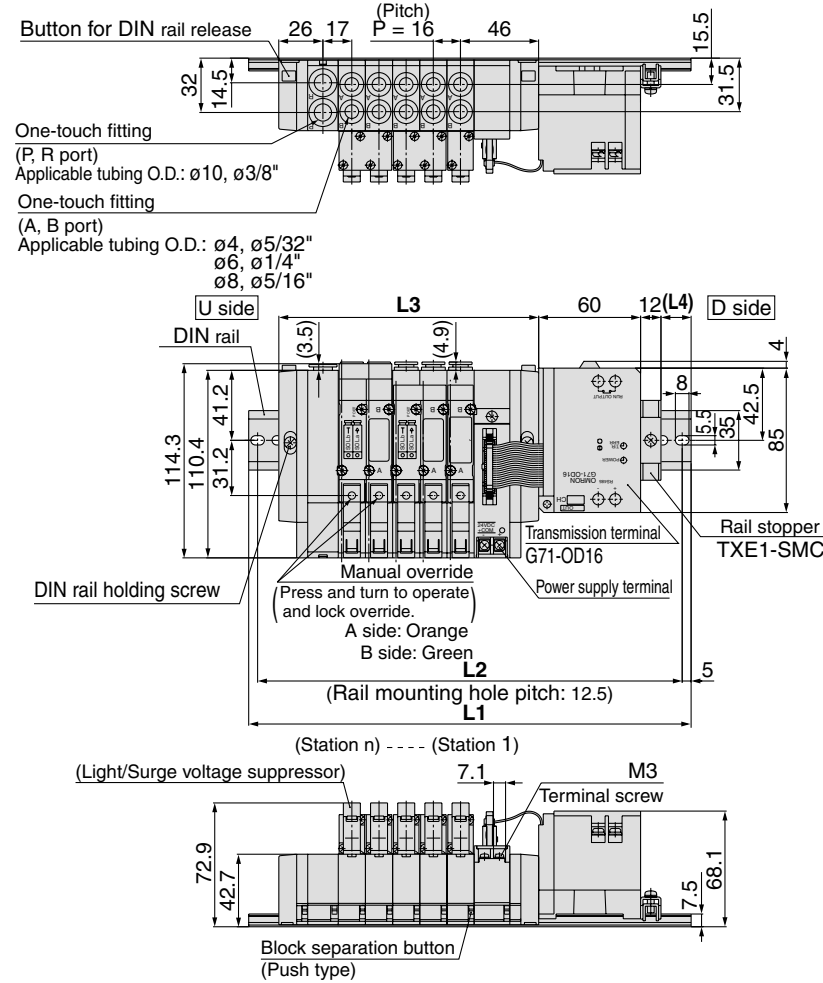
- For specifications on OMRON Corp's transmitter terminals, refer to the instruction manual or the catalog of transmitter terminals, etc.
- Max. 16 solenoids are applicable. Please consult with SMC for more solenoids.

Caution

- The wiring specifications for SS5Y₃-45S30 are different from those for SS5Y₃-45PG.

SY5000: Serial Transmission Unit/Plug-in

SS5Y5-45S3D- Stations U-C4, N3 C6, N7 C8, N9



Note) The L1 to L4 dimensions of SS5Y5-45S3D-

Stations D- C4, N3 C6, N7, SS5Y5-45S3U- Stations D- C4, N3 C6, N7, SS5Y5-45S3U- Stations U- C4, N3 C6, N7, SS5Y5-45S3D- Stations U- C4, N3 C6, N7, C8, N9

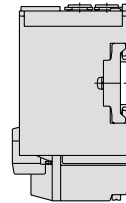
SV

SZ

SY

SYJ

SX



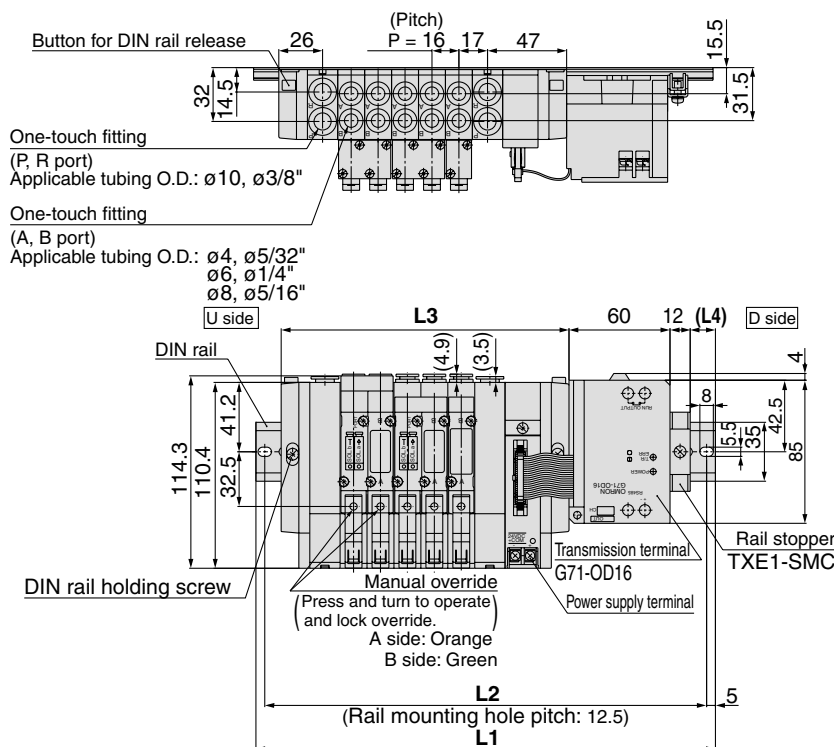
Stations n	2 stations	3	4	5	6	7	8	9	10 stations
L1	210.5	223	235.5	260.5	273	285.5	298	323	335.5
L2	200	212.5	225	250	262.5	275	287.5	312.5	325
L3	105	121	137	153	169	185	201	217	233
L4	16.5	15	13	17.5	16	14	12.5	17	15



Note) The L1 to L4 dimensions of SS5Y5-

45S3U- Stations B- C4, N3 C6, N7, SS5Y5-45S3U- Stations B- C4, N3 C6, N7, C8, N9

SS5Y5-45S3D- Stations B-C4, N3 C6, N7 C8, N9



Stations n	2 stations	3	4	5	6	7	8	9 stations
L1	223	235.5	260.5	273	285.5	310.5	323	335.5
L2	212.5	225	250	262.5	275	300	312.5	325
L3	123	139	155	171	187	203	219	235
L4	14	12	16.5	15	13	17.5	16	14

Stations n	10 stations	11	12	13	14	15	16 stations
L1	348	373	385.5	398	410.5	435.5	448
L2	337.5	362.5	375	387.5	400	425	437.5
L3	251	267	283	299	315	331	347
L4	12.5	17	15	13.5	11.5	16	14.5