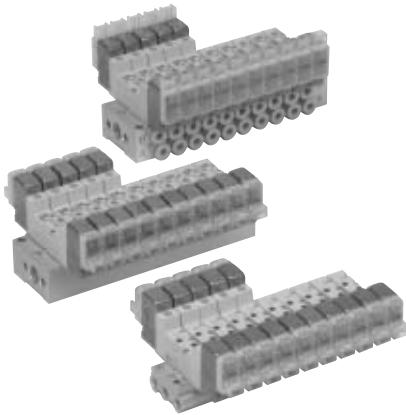


Series SYJ3000 Manifold Specifications

Manifold Standard



Manifold Specifications

| Model | | Type 20 | Type 31, S31 | Type 32, S32 | Type 41, S41 | Type 46, S46 |
|-------------------------------------|-----------|-----------------------|--------------|---|--------------|------------------------------|
| Manifold type | | Single base/B mount | | | | |
| P (SUP), R (EXH) | | Common SUP/Common EXH | | | | Common SUP Individual EXH |
| Valve stations | | 2 to 20 stations | | | | |
| A, B port Porting specifications | Location | Valve | Base | | | |
| | Direction | Top | Side | | | |
| Port size | P, R port | M5 x 0.8 | | 1/8 | | P: 1/8 R: M5 x 0.8 |
| | A, B port | M3 x 0.5 | | M5 x 0.8, C4 (One-touch fitting for ø4) | | |

Flow Characteristics

| Manifold | | | Port size | | Flow characteristics | | | | | | Effective area (mm ²) |
|---------------------------------|--------------------------------------|---------|-------------------|-----------------|------------------------------|-------|-------|------------------------------|-------|-------|-----------------------------------|
| | | | | | 1→4/2 (P→A/B) | | | 4/2→5/3 (A/B→R) | | | |
| Body ported for internal pilot | | | 1(P), 5/3(R) port | 2(B), 4(A) port | C [dm ³ /(s·bar)] | b | Cv | C [dm ³ /(s·bar)] | b | Cv | |
| | SS5YJ3-20 | SYJ3□2□ | M5 x 0.8 | M3 x 0.5 | — | — | — | — | — | — | 0.9 |
| | SS5YJ3- ³¹ _{S31} | SYJ3□3□ | M5 x 0.8 | M3 x 0.5 | — | — | — | — | — | — | 0.9 |
| Base mounted for internal pilot | SS5YJ3-32-M5 | SYJ3□3□ | 1/8 | M5 x 0.8 | 0.25 | 0.19 | 0.060 | 0.32 | 0.25 | 0.077 | — |
| | SS5YJ3-32-C4 | | | C4 | 0.25 | 0.18 | 0.059 | 0.30 | 0.27 | 0.075 | — |
| | SS5YJ3-S32-M5 | SYJ3□3□ | 1/8 | M5 x 0.8 | 0.25 | 0.26 | 0.060 | 0.29 | 0.15 | 0.062 | — |
| | SS5YJ3-S32-C4 | | | C4 | 0.24 | 0.21 | 0.057 | 0.27 | 0.18 | 0.062 | — |
| | SS5YJ3-41-M5 | SYJ3□4□ | 1/8 | M5 x 0.8 | 0.32 | 0.25 | 0.081 | 0.33 | 0.19 | 0.079 | — |
| | SS5YJ3-41-C4 | | | C4 | 0.32 | 0.28 | 0.079 | 0.35 | 0.24 | 0.084 | — |
| | SS5YJ3-S41-M5 | | | M5 x 0.8 | 0.33 | 0.29 | 0.082 | 0.34 | 0.17 | 0.081 | — |
| | SS5YJ3-S41-C4 | SYJ3□4□ | 1/8 | M5 x 0.8 | 0.32 | 0.27 | 0.079 | 0.34 | 0.24 | 0.084 | — |
| | SS5YJ3-46-M5 | | | M5 x 0.8 | 0.20 | 0.25 | 0.048 | 0.10 | 0.12 | 0.024 | — |
| | SS5YJ3-46-C4 | | | C4 | 0.21 | 0.27 | 0.050 | 0.21 | 0.13 | 0.047 | — |
| SS5YJ3-S46-M5 | SYJ3□4□ | 1/8 | M5 x 0.8 | 0.20 | 0.25 | 0.048 | 0.19 | 0.16 | 0.024 | — | |
| SS5YJ3-S46-C4 | | | C4 | 0.22 | 0.34 | 0.057 | 0.10 | 0.090 | 0.024 | — | |



Note) Value at manifold base mounted, 2 position single operating

How to Order Manifold (Example)

Instruct by specifying the valves and blanking plate assembly to be mounted on the manifold along with the manifold base model no.

Example:

- SS5YJ3-20-03 1 set (Manifold base)
- SS5YJ3-S41-03-C4 ... 1 set (Manifold base)
- * SYJ3120-5G-M3 ... 2 sets (Valve)
- * SYJ3140-5LZ 2 sets (Valve)
- * SYJ3000-21-1A 1 set (Blanking plate assembly)
- * SYJ3000-21-2A 1 set (Blanking plate assembly)

↳ The asterisk denotes the symbol for assembly. Prefix it to the part nos. of the solenoid valve, etc.

* Use manifold specification sheet.

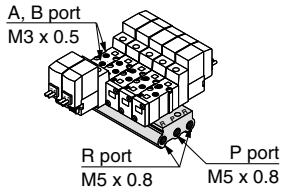
Series SYJ3000

Common SUP/Common EXH



Note) For more than 10 stations, supply air to both sides of P port and exhaust air from both sides of R port.

Type 20 (5 Port/Body ported)



How to Order

SS5YJ3-20-05

Number of stations

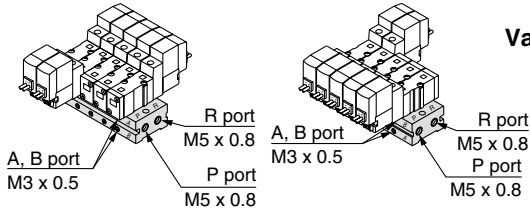
| | |
|----|-------------|
| 02 | 2 stations |
| : | : |
| 20 | 20 stations |

Applicable solenoid valve
SYJ3□20-□□□□-M3
SYJ3□23-□□□□-M3

Applicable blanking plate assembly
SYJ3000-21-1A

Type 31 (4 Port/Base mounted)

Type 31 Type S31 (Single solenoid coil is on same side as the A, B port.)



How to Order

SS5YJ3-□31-05-M3

Valve mounting direction

| | |
|-----|--|
| Nil | Single solenoid coil is on opposite side as the A, B port. |
| S | Single solenoid coil is on same side as the A, B port. |

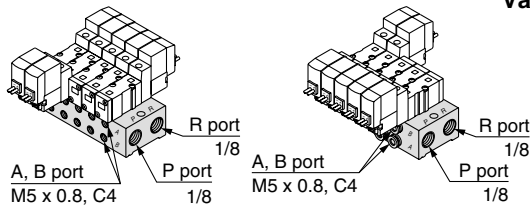
Stations

| | |
|----|-------------|
| 02 | 2 stations |
| : | : |
| 20 | 20 stations |

Applicable solenoid valve
SYJ3□30-□□□□
SYJ3□33-□□□□

Type 32 (4 Port/Base mounted)

Type 32 Type S32 (Single solenoid coil is on same side as the A, B port.)



How to Order

SS5YJ3-□32-05-M5-□

Valve mounting direction

| | |
|-----|--|
| Nil | Single solenoid coil is on opposite side as the A, B port. |
| S | Single solenoid coil is on same side as the A, B port. |

Stations

| | |
|----|-------------|
| 02 | 2 stations |
| : | : |
| 20 | 20 stations |

A, B port size

| | |
|----|------------------------------|
| M5 | M5 x 0.8 |
| C4 | One-touch fitting for ø4 |
| N3 | One-touch fitting for ø5/32" |

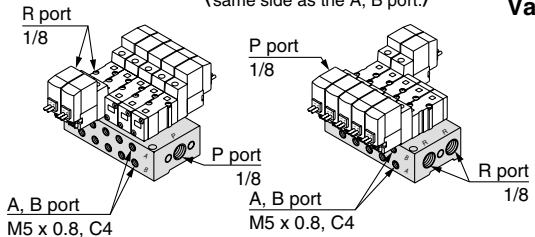
Applicable blanking plate assembly
SYJ3000-21-2A

P, R port thread type

| | |
|-----|------|
| Nil | Rc |
| F | G |
| N | NPT |
| T | NPTF |

Type 41 (5 Port/Base mounted)

Type 41 Type S41 (Single solenoid coil is on same side as the A, B port.)



How to Order

SS5YJ3-□41-05-C4-□

Valve mounting direction

| | |
|-----|--|
| Nil | Single solenoid coil is on opposite side as the A, B port. |
| S | Single solenoid coil is on same side as the A, B port. |

Stations

| | |
|----|-------------|
| 02 | 2 stations |
| : | : |
| 20 | 20 stations |

A, B port size

| | |
|----|------------------------------|
| M5 | M5 x 0.8 |
| C4 | One-touch fitting for ø4 |
| N3 | One-touch fitting for ø5/32" |

Applicable solenoid valve
SYJ3□40-□□□□
SYJ3□43-□□□□

Applicable blanking plate assembly
SYJ3000-21-2A

P, R port thread type

| | |
|-----|------|
| Nil | Rc |
| F | G |
| N | NPT |
| T | NPTF |

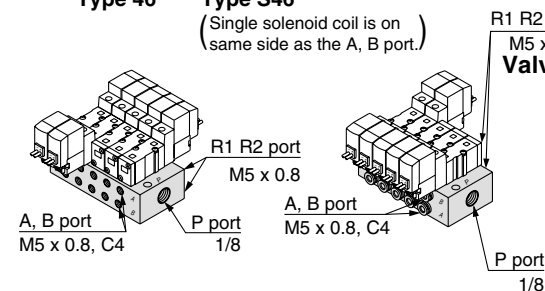
Common SUP/Individual EXH type



Note) For more than 10 stations, supply air to both sides of P port.

Type 46 (5 Port/Base mounted)

Type 46 Type S46 (Single solenoid coil is on same side as the A, B port.)



How to Order

SS5YJ3-□46-05-M5-□

Valve mounting direction

| | |
|-----|--|
| Nil | Single solenoid coil is on opposite side as the A, B port. |
| S | Single solenoid coil is on same side as the A, B port. |

Stations

| | |
|----|-------------|
| 02 | 2 stations |
| : | : |
| 20 | 20 stations |

A, B port size

| | |
|----|------------------------------|
| M5 | M5 x 0.8 |
| C4 | One-touch fitting for ø4 |
| N3 | One-touch fitting for ø5/32" |

Applicable solenoid valve
SYJ3□40-□□□□
SYJ3□43-□□□□

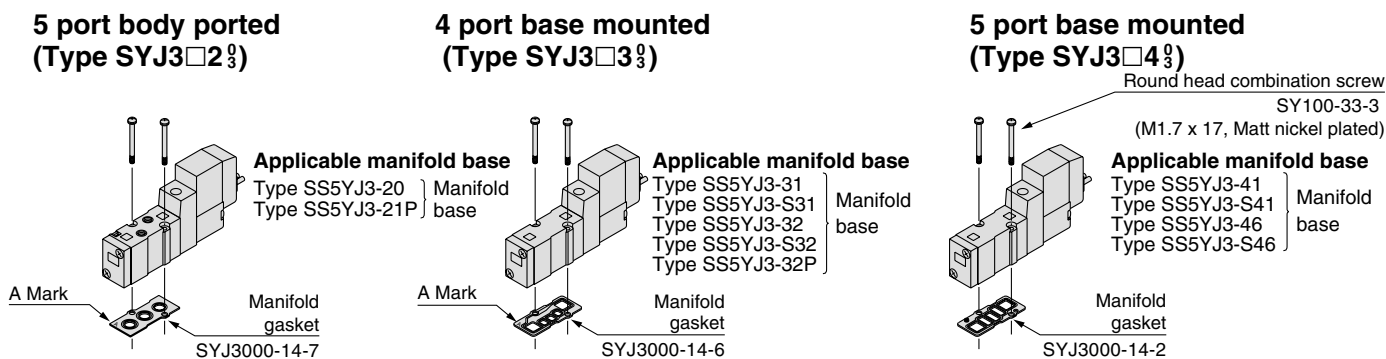
Applicable blanking plate assembly
SYJ3000-21-2A

P port thread type

| | |
|-----|------|
| Nil | Rc |
| F | G |
| N | NPT |
| T | NPTF |

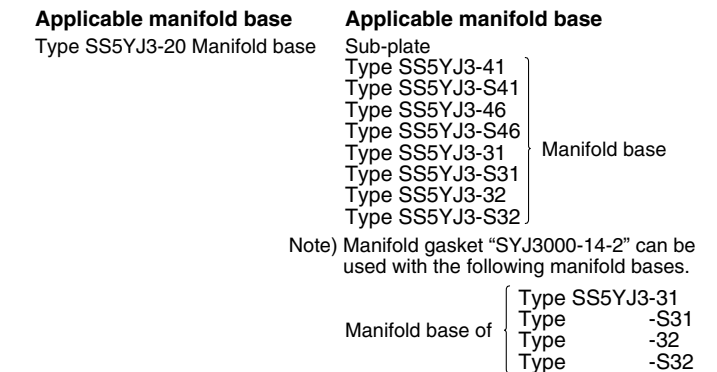
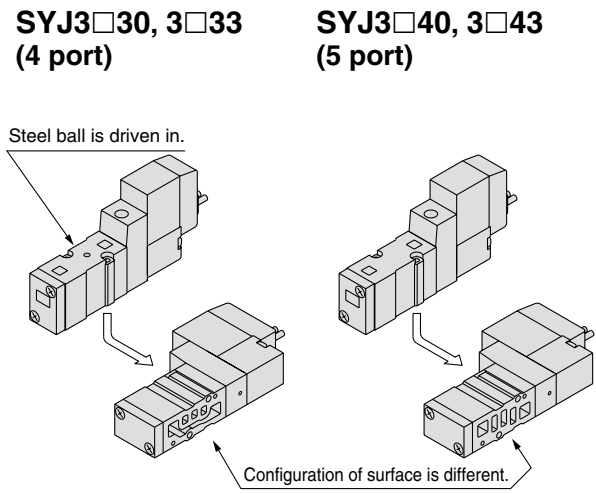
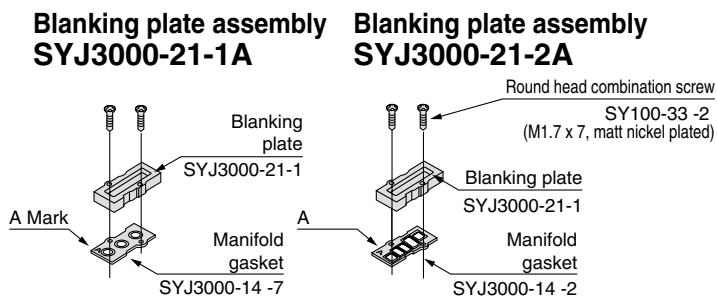
Series SYJ3000

Combinations of Solenoid Valve, Manifold Gasket and Manifold Base

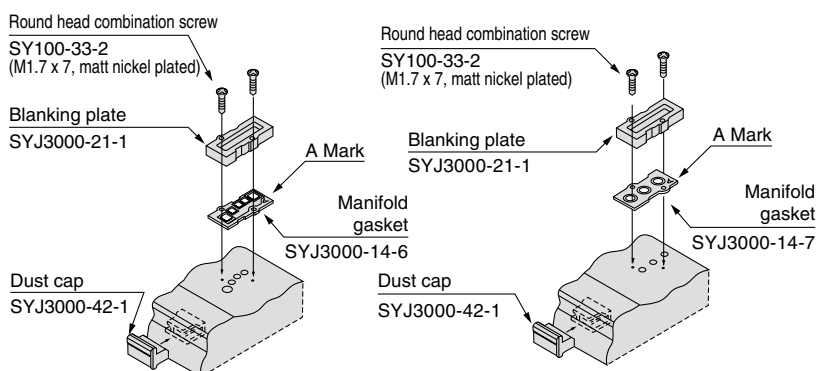


Combination of Blanking Plate Assembly and Manifold Base

Difference between SYJ3□3₃⁰ and SYJ3□4₃⁰



| | |
|---|---|
| <p>Blanking plate assembly SYJ3000-21-4A</p> | <p>Blanking plate assembly SYJ3000-21-3A</p> |
|---|---|



Caution

Mounting screw tightening torques

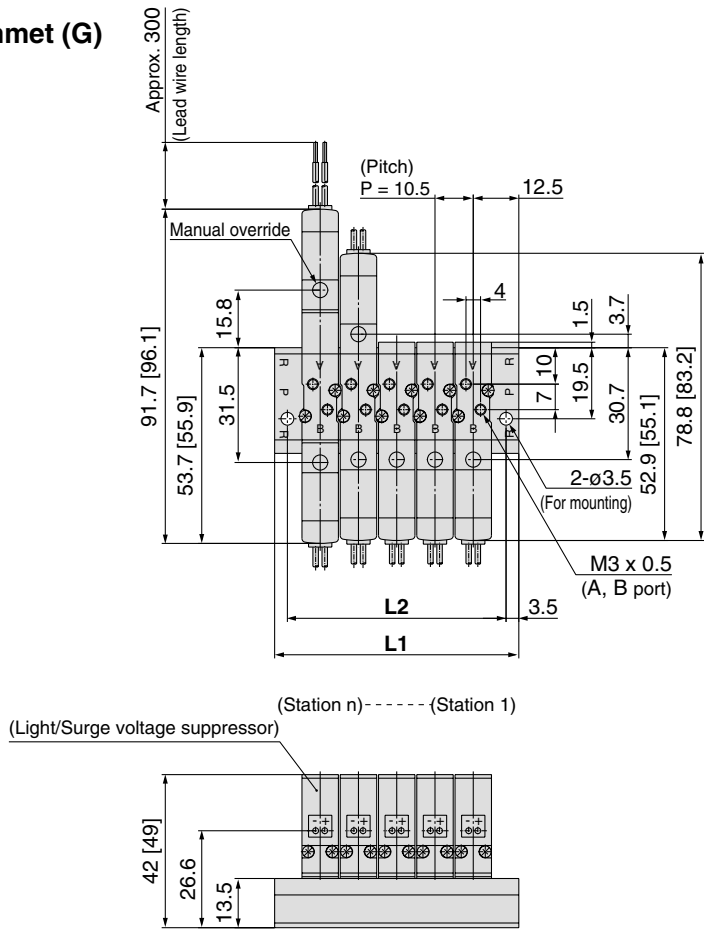
M1.7: 0.12 N·m

Use caution to the assembly orientation for solenoid valves, gasket, and optional parts.

Type 20 Manifold: Top Ported/SS5YJ3-20- Stations

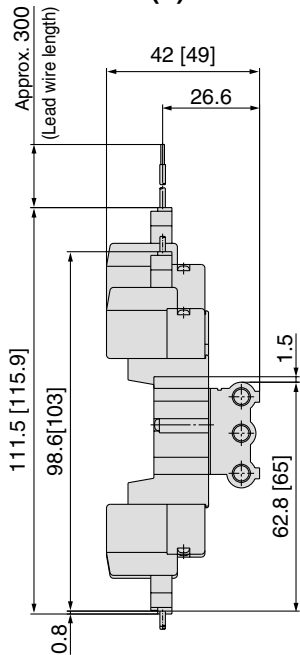


Grommet (G)

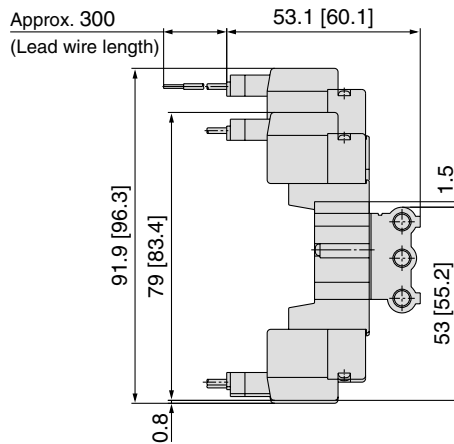


- SV
- SZ
- SY
- SYJ**
- SX

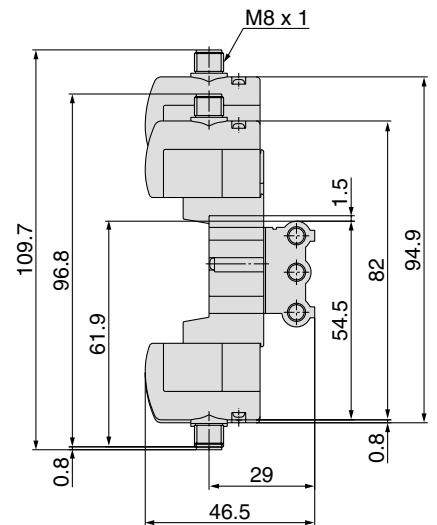
L plug connector (L)



M plug connector (M)



M8 connector (WO)



Refer to page 1-5-79 for dimensions with connector cable.

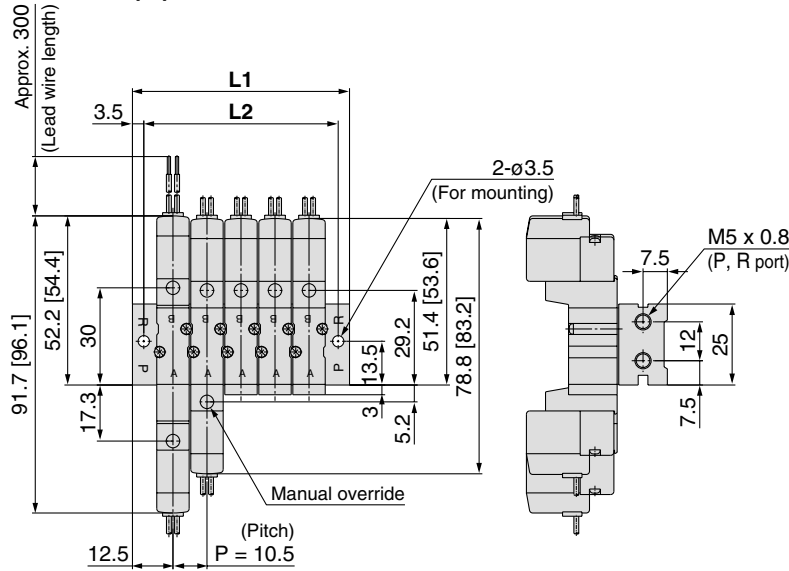
| Station n | Station 2 | 3 | 4 | 5 | 6 | 7 | 8 | 9 | 10 | 11 | 12 | 13 | 14 | 15 | 16 | 17 | 18 | 19 | Station 20 |
|-----------|-----------|----|------|----|------|----|------|-----|-------|-----|-------|-----|-------|-----|-------|-----|-------|-----|------------|
| L1 | 35.5 | 46 | 56.5 | 67 | 77.5 | 88 | 98.5 | 109 | 119.5 | 130 | 140.5 | 151 | 161.5 | 172 | 182.5 | 193 | 203.5 | 214 | 224.5 |
| L2 | 28.5 | 39 | 49.5 | 60 | 70.5 | 81 | 91.5 | 102 | 112.5 | 123 | 133.5 | 144 | 154.5 | 165 | 175.5 | 186 | 196.5 | 207 | 217.5 |

Series SYJ3000

Type 31 Manifold: Side Ported/SS5YJ3-31- Stations -M3

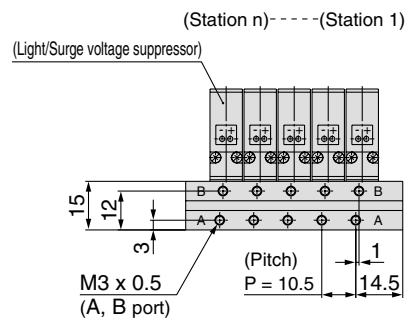
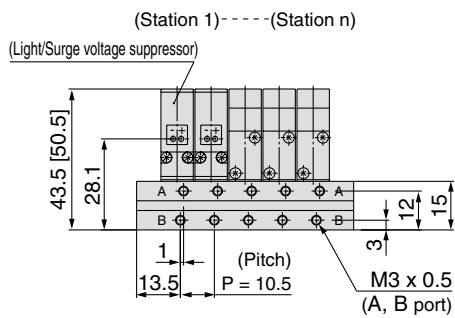
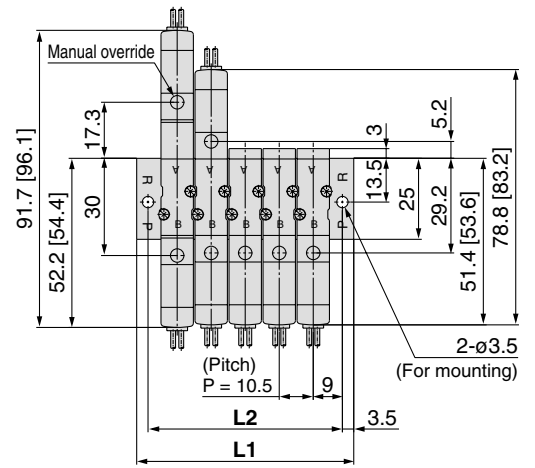


Grommet (G)

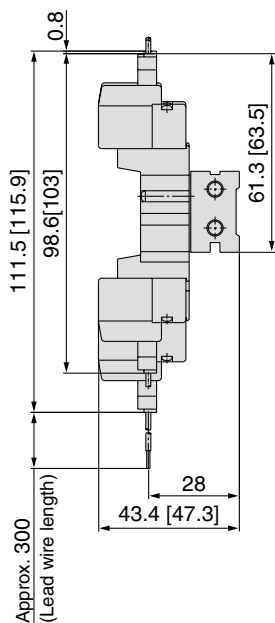


Type S31 Manifold: Side Ported SS5YJ3-S31- Stations -M3

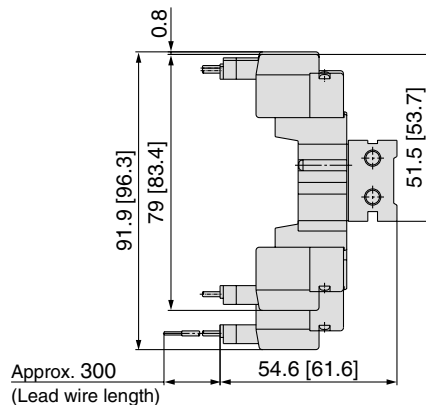
(Single solenoid coil is on same side as the A,B port.)



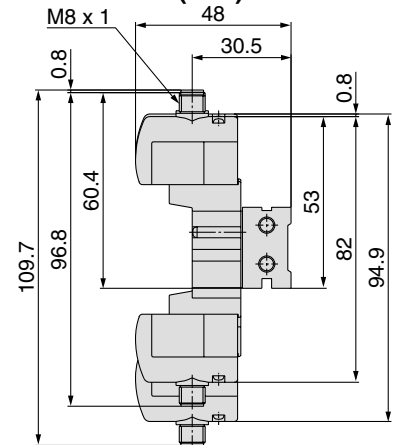
L plug connector (L)



M plug connector (M)



M8 connector (WO)



Refer to page 1-5-79 for dimensions with connector cable.

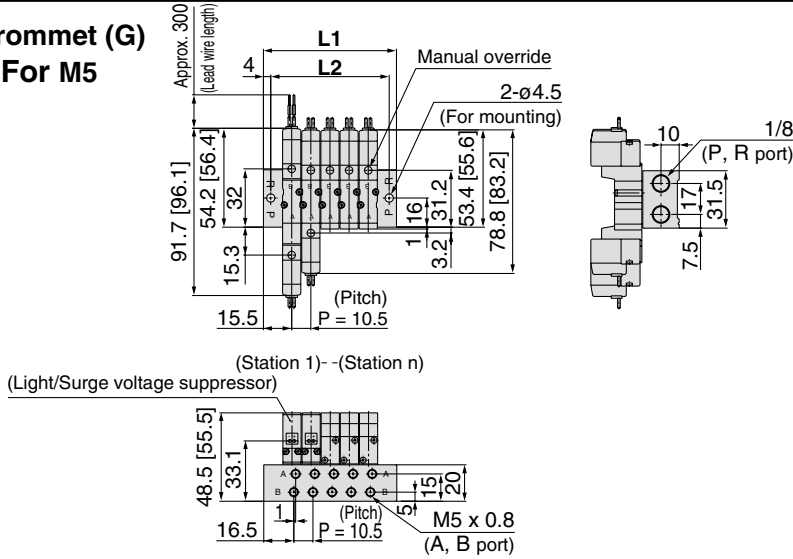
| Station n | Station 2 | 3 | 4 | 5 | 6 | 7 | 8 | 9 | 10 | 11 | 12 | 13 | 14 | 15 | 16 | 17 | 18 | 19 | Station 20 |
|-----------|-----------|----|------|----|------|----|------|-----|-------|-----|-------|-----|-------|-----|-------|-----|-------|-----|------------|
| L1 | 35.5 | 46 | 56.5 | 67 | 77.5 | 88 | 98.5 | 109 | 119.5 | 130 | 140.5 | 151 | 161.5 | 172 | 182.5 | 193 | 203.5 | 214 | 224.5 |
| L2 | 28.5 | 39 | 49.5 | 60 | 70.5 | 81 | 91.5 | 102 | 112.5 | 123 | 133.5 | 144 | 154.5 | 165 | 175.5 | 186 | 196.5 | 207 | 217.5 |

4/5 Port Solenoid Valve Rubber Seal Series SYJ3000

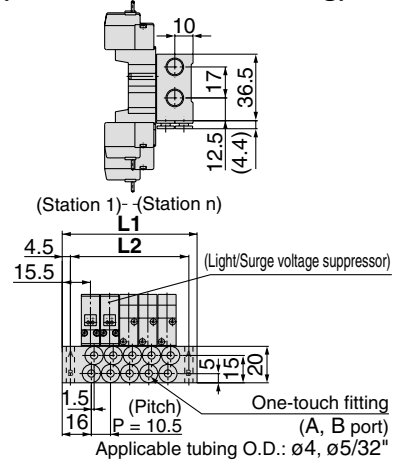
Type 32 Manifold: Side Ported/SS5YJ3-32- Stations -M5, C4 N3



Grommet (G) For M5

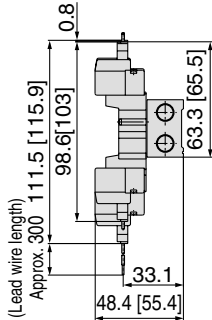


For C4 N3 (Built-in One-touch fitting)

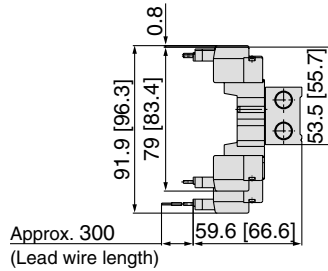


- SV
- SZ
- SY
- SYJ
- SX

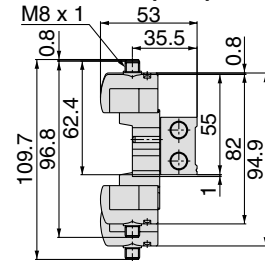
L plug connector (L)



M plug connector (M)



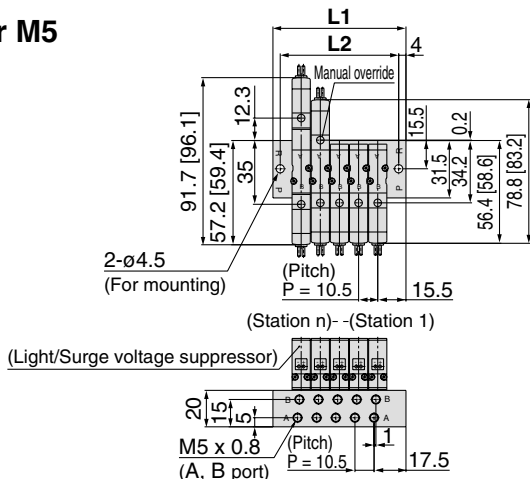
M8 connector (WO)



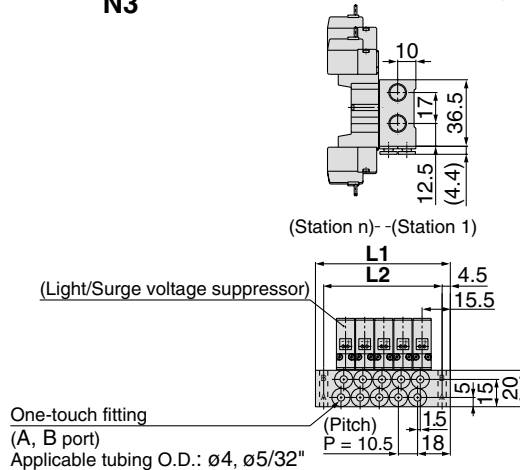
Refer to page 1-5-79 for dimensions with connector cable.

Type S32 Manifold: Side Ported (Single solenoid coil is on same side as the A, B port.) /SS5YJ3-S32- Stations -M5, C4 N3

For M5



For C4 N3 (Built-in One-touch fitting)



SS5YJ3-32, S32- Stations -M5

| Station n | Station 2 | 3 | 4 | 5 | 6 | 7 | 8 | 9 | 10 | 11 | 12 | 13 | 14 | 15 | 16 | 17 | 18 | 19 | Station 20 |
|-----------|-----------|----|------|----|------|----|-------|-----|-------|-----|-------|-----|-------|-----|-------|-----|-------|-----|------------|
| L1 | 41.5 | 52 | 62.5 | 73 | 83.5 | 94 | 104.5 | 115 | 125.5 | 136 | 146.5 | 157 | 167.5 | 178 | 188.5 | 199 | 209.5 | 220 | 230.5 |
| L2 | 33.5 | 44 | 54.5 | 65 | 75.5 | 86 | 96.5 | 107 | 117.5 | 128 | 138.5 | 149 | 159.5 | 170 | 180.5 | 191 | 201.5 | 212 | 222.5 |

SS5YJ3-32, S32- Stations -C4

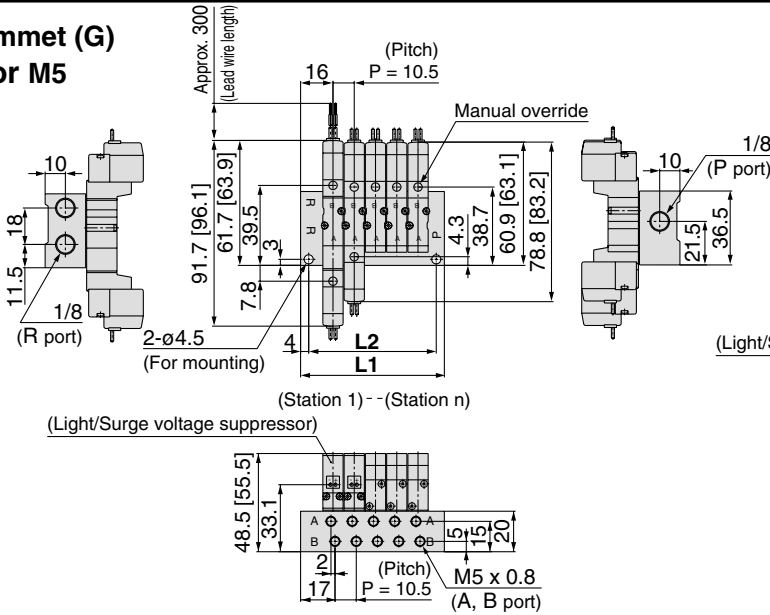
| Station n | Station 2 | 3 | 4 | 5 | 6 | 7 | 8 | 9 | 10 | 11 | 12 | 13 | 14 | 15 | 16 | 17 | 18 | 19 | Station 20 |
|-----------|-----------|----|------|----|------|----|-------|-----|-------|-----|-------|-----|-------|-----|-------|-----|-------|-----|------------|
| L1 | 42.5 | 53 | 63.5 | 74 | 84.5 | 95 | 105.5 | 116 | 126.5 | 137 | 147.5 | 158 | 168.5 | 179 | 189.5 | 200 | 210.5 | 221 | 231.5 |
| L2 | 33.5 | 44 | 54.5 | 65 | 75.5 | 86 | 96.5 | 107 | 117.5 | 128 | 138.5 | 149 | 159.5 | 170 | 180.5 | 191 | 201.5 | 212 | 222.5 |

Series SYJ3000

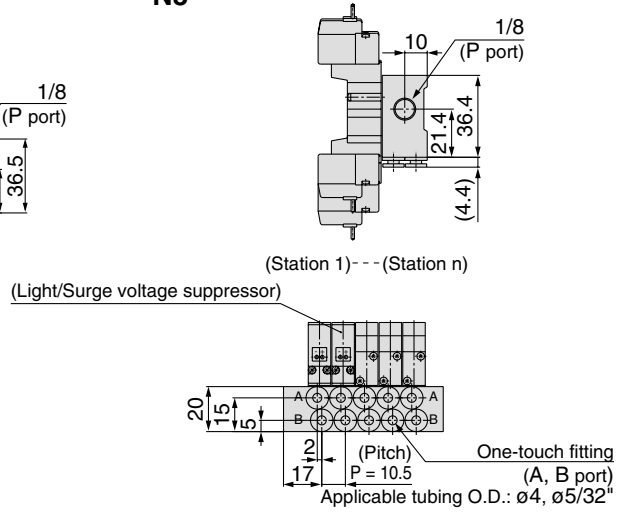
Type 41 Manifold: Side Ported/SS5YJ3-41- Stations -M5, C4 N3



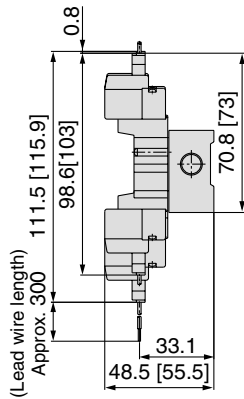
Grommet (G) For M5



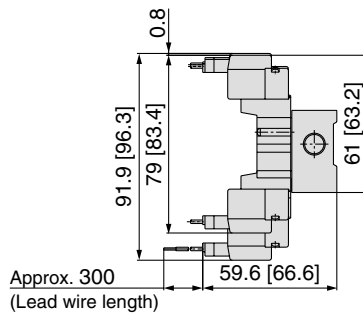
For C4 N3 (Built-in One-touch fitting)



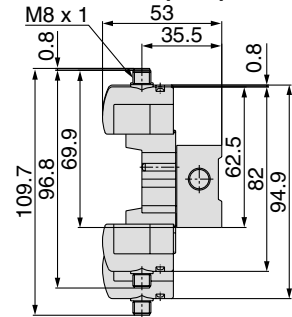
L plug connector (L)



M plug connector (M)



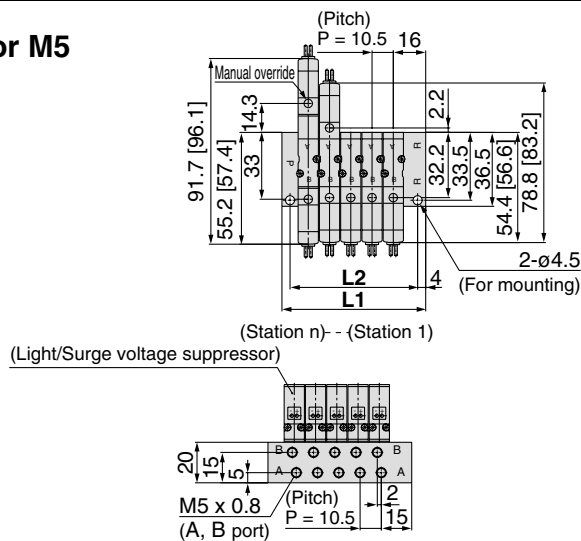
M8 connector (WO)



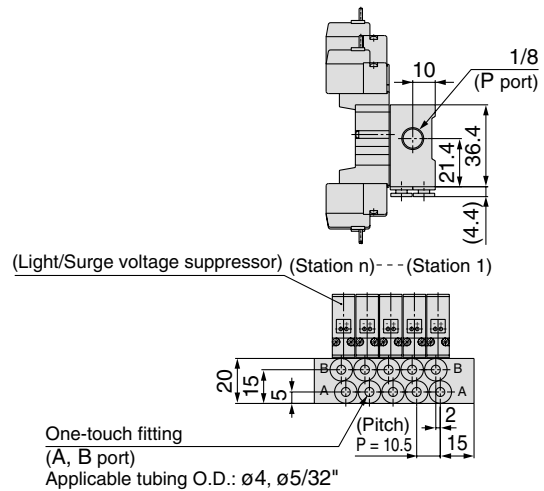
Refer to page 1-5-79 for dimensions with connector cable.

Type S41 Manifold: Side Ported (Single solenoid coil is on same side as the A,B port) /SS5YJ3-S41- Stations -M5, C4 N3

For M5



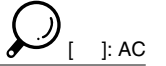
For C4 N3 (Built-in One-touch fitting)



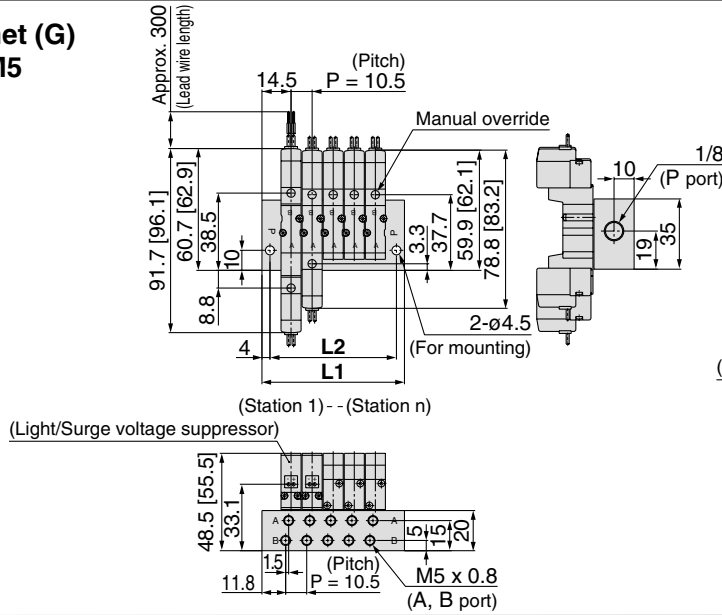
| Station n | Station 2 | 3 | 4 | 5 | 6 | 7 | 8 | 9 | 10 | 11 | 12 | 13 | 14 | 15 | 16 | 17 | 18 | 19 | Station 20 |
|-----------|-----------|----|------|----|------|----|-------|-----|-------|-----|-------|-----|-------|-----|-------|-----|-------|-----|------------|
| L1 | 39.5 | 50 | 60.5 | 71 | 81.5 | 92 | 102.5 | 113 | 123.5 | 134 | 144.5 | 155 | 165.5 | 176 | 186.5 | 197 | 207.5 | 218 | 228.5 |
| L2 | 31.5 | 42 | 52.5 | 63 | 73.5 | 84 | 94.5 | 105 | 115.5 | 126 | 136.5 | 147 | 157.5 | 168 | 178.5 | 189 | 199.5 | 210 | 220.5 |

4/5 Port Solenoid Valve Rubber Seal Series SYJ3000

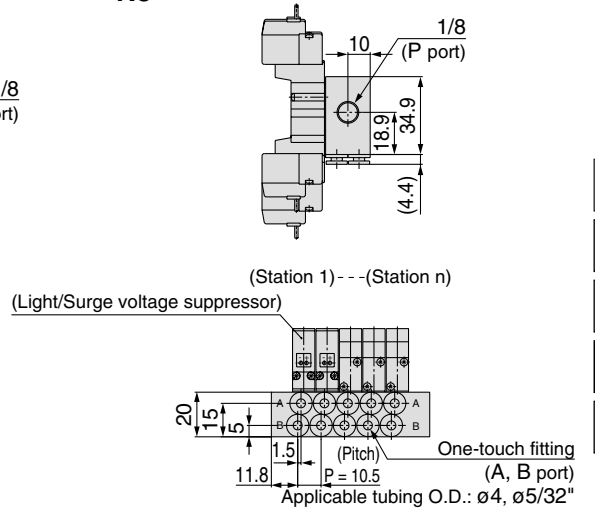
Type 46 Manifold: Side Ported/SS5YJ3-46- Stations -M5, C4 N3



Grommet (G) For M5



For C4 N3 (Built-in One-touch fitting)



SV

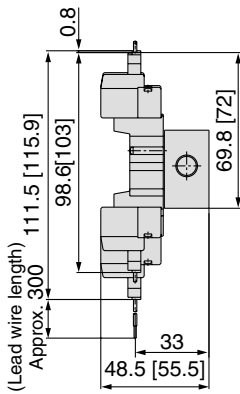
SZ

SY

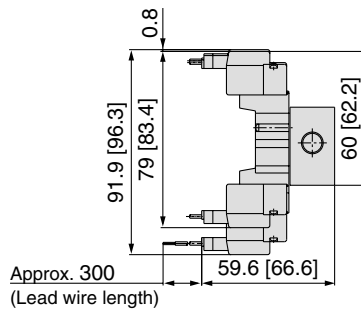
SYJ

SX

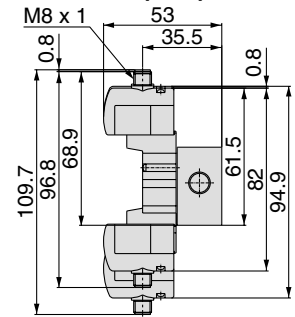
L plug connector (L)



M plug connector (M)



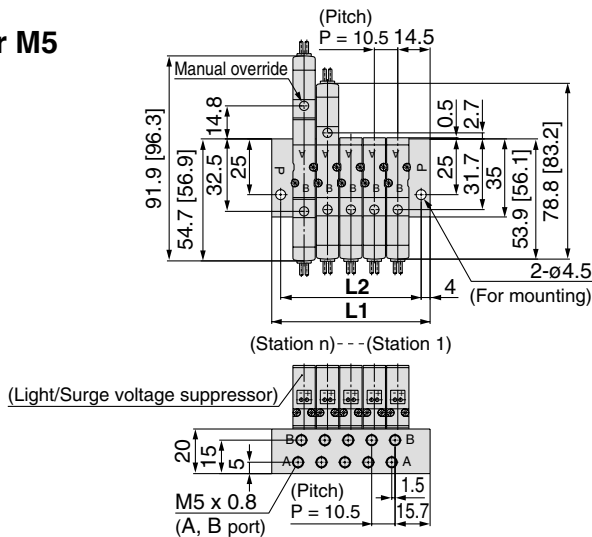
M8 connector (WO)



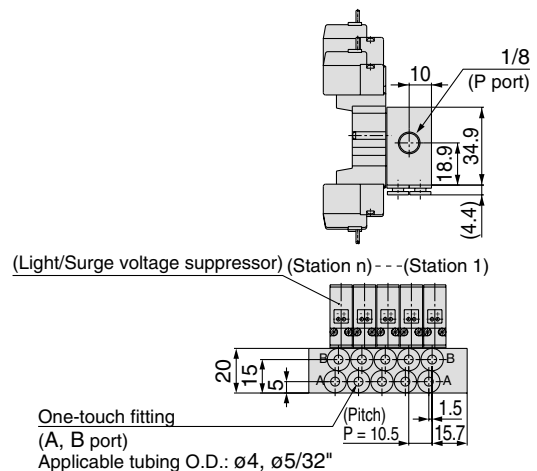
Refer to page 1-5-79 for dimensions with connector cable.

Type S46 Manifold: Side Ported (Single solenoid coil is on same side as the A, B port.) /SS5YJ3-S46- Stations -M5, C4 N3

For M5



For C4 N3 (Built-in One-touch fitting)



| Station n | Station 2 | 3 | 4 | 5 | 6 | 7 | 8 | 9 | 10 | 11 | 12 | 13 | 14 | 15 | 16 | 17 | 18 | 19 | Station 20 |
|-----------|-----------|----|------|----|------|----|-------|-----|-------|-----|-------|-----|-------|-----|-------|-----|-------|-----|------------|
| L1 | 39.5 | 50 | 60.5 | 71 | 81.5 | 92 | 102.5 | 113 | 123.5 | 134 | 144.5 | 155 | 165.5 | 176 | 186.5 | 197 | 207.5 | 218 | 228.5 |
| L2 | 31.5 | 42 | 52.5 | 63 | 73.5 | 84 | 94.5 | 105 | 115.5 | 126 | 136.5 | 147 | 157.5 | 168 | 178.5 | 189 | 199.5 | 210 | 220.5 |