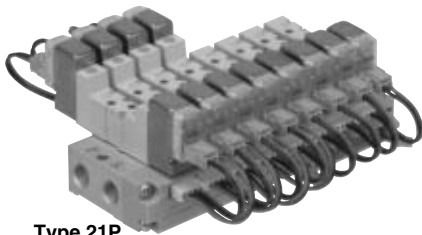


Flat Ribbon Cable Manifold

- Multiple valve wiring is simplified through the use of the flat cable connector.
- Clean appearance

In the case of a flat ribbon cable type, each valve is wired on the print board of manifold base to allow the external wiring to be piped all together with 26 pins MIL connector.



Type 21P

Flat Ribbon Cable Manifold Specifications

Model		Type 21P	Type 32P
Manifold type		Single base/B mount	
P (SUP), R (EXH)		Common SUP, Common EXH	
Valve stations		4 to 12 stations	
A, B port Porting specifications	Location	Valve	Base
	Direction	Top	Side
Port size	P, R port	1/8	
	A, B port	M3 x 0.5	M5 x 0.8, C4 (One-touch fitting for Ø4)
Applicable flat ribbon cable connector		Socket: 26 pins MIL type with strain relief (MIL-C-83503)	
Internal wiring		In common between +COM and -COM (Z type: +COM only)	
Rated voltage		24, 12 VDC/100, 110 VAC	



Note) The withstand voltage specification for the wiring unit section conforms to JIS C 0704, Grade 1 or its equivalent.

Flow Characteristics

Manifold			Port size		Flow characteristics						Effective area (mm ²)
					1→4/2 (P→A/B)			4/2→5/3 (A/B→R)			
Body ported for internal pilot	SS5YJ3-21P	SYJ3□23	1(P), 5/3(R) port	2(B), 4(A) port	C [dm ³ /(s-bar)]	b	Cv	C [dm ³ /(s-bar)]	b	Cv	
			1/8	M3 x 0.5	—	—	—	—	—	—	0.9
Base mounted for internal pilot	SS5YJ3-32P-M5	SYJ3□33	1/8	M5 x 0.8 C4	0.25	0.19	0.060	0.32	0.25	0.077	—
	SS5YJ3-32P-C4				0.25	0.18	0.059	0.3	0.27	0.075	—



Note) Value at manifold base mounted, 2 position single operating

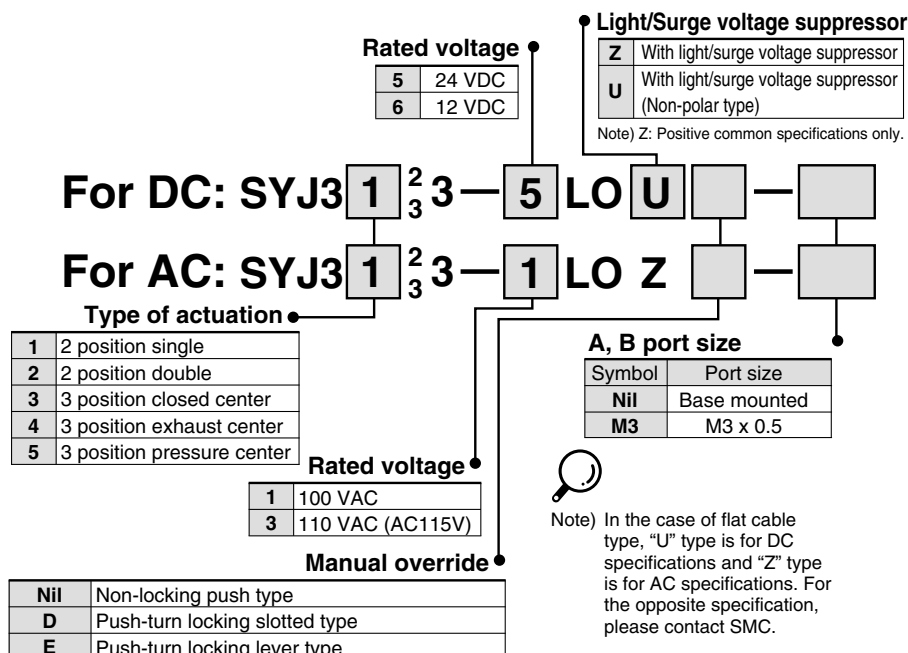
How to Order Manifold

- SS5YJ3-32P-07-C4 1 pc. (Manifold base)
- SYJ3133-5LOU 3 pcs. (Valve)
- SYJ3233-5LOU 3 pcs. (Valve)
- SYJ3000-21-4A 1 pc. (Blanking plate assembly)
- SY3000-37-28A 3 pcs. (Connector assembly)
- SY3000-37-29A 3 pcs. (Connector assembly)

The asterisk denotes the symbol for assembly. Prefix it to the part nos. of the solenoid valve, etc.

* Use manifold specification sheet.

How to Order Valves



How to Order Connector Assembly

12, 24 VDC

Single solenoid	SY3000-37-28A
Double solenoid, 3 position type	SY3000-37-29A

100 VAC

Single solenoid	SY3000-37-46A
Double solenoid, 3 position type	SY3000-37-47A

110 VAC (115 VAC)

Single solenoid	SY3000-37-54A
Double solenoid, 3 position type	SY3000-37-55A

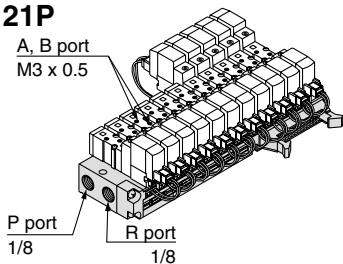
Flat Ribbon Cable Manifold

Common SUP/Common EXH



Note) For more than 10 stations, supply air to both sides of P port and exhaust air from both sides of R port.

Type 21P



How to Order

SS5YJ3-21P-07 [] []

Stations	
04	4 stations
:	:
12	12 stations

P, R port thread type

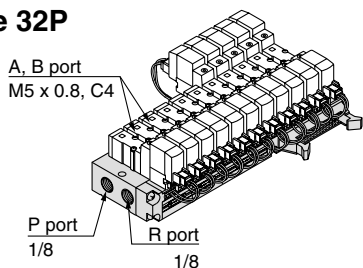
Nil	Rc
00F	G
00N	NPT
00T	NPTF

Applicable solenoid valve
Refer to page 1-5-15.

Applicable connector assembly
Refer to page 1-5-15.

Applicable blanking plate assembly
SYJ3000-21-3A
(With dust cap)

Type 32P



How to Order

SS5YJ3-32P-07-C4 [] []

Stations		A, B port size	
04	4 stations	M5	M5 x 0.8
:	:	C4	One-touch fitting for ø4
12	12 stations	N3	One-touch fitting for ø5/32"

P, R port thread type

Nil	Rc
F	G
N	NPT
T	NPTF

Applicable solenoid valve
Refer to page 1-5-15.

Applicable connector assembly
Refer to page 1-5-15.

Applicable blanking plate assembly
SYJ3000-21-3A
(With dust cap)

SV

SZ

SY

SYJ

SX

Mixed Installation of the SYJ300 and the SYJ3000 Valves on the Same Manifold

Series SYJ300 valves can be mounted on the manifolds for Series SYJ3000.

① SS5YJ3-20, SS5YJ3-21P

The 3 port valve can be used by simply sealing off the unused "R" port with rubber plug VJ3000-33-1.

Applicable solenoid valves:
Series SYJ312, SYJ312M, SYJ322, SYJ322M

② SS5YJ3-31/-S31, SS5YJ3-32/-S32, SS5YJ3-46/-S46, SS5YJ3-32P

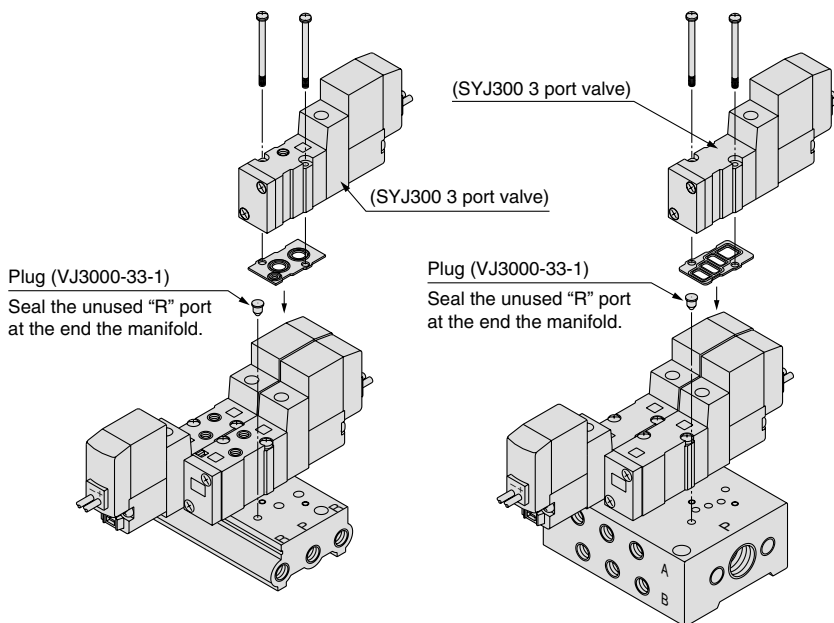
The 3 port valve can be used without modification. The A port of the valve will flow out of the B port of the manifold.

Applicable solenoid valves:
Series SYJ314, SYJ314M, SYJ324, SYJ324M

③ SS5YJ3-41/-S41

The 3 port valve can be used on the 4 port manifold by simply sealing off the unused "R" port with rubber plug VJ3000-33-1. The A port of the valve will flow out of the B port of the manifold.

Applicable solenoid valves:
Series SYJ314, SYJ314M, SYJ324, SYJ324M



Type SS5YJ3-20

Type SS5YJ3-41

A port of the 3 port valve flows out of the manifold B port.

⚠ Caution

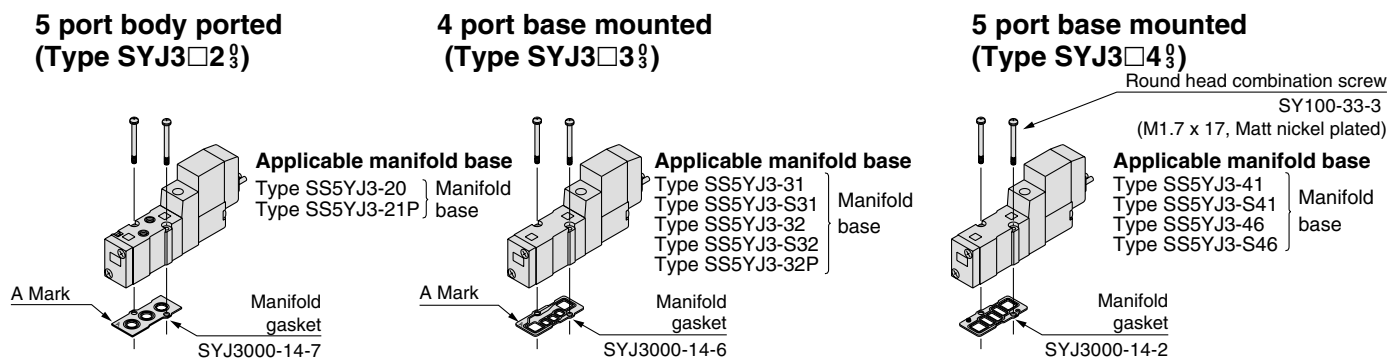
Mounting screw tightening torques

M1.7: 0.12 N·m

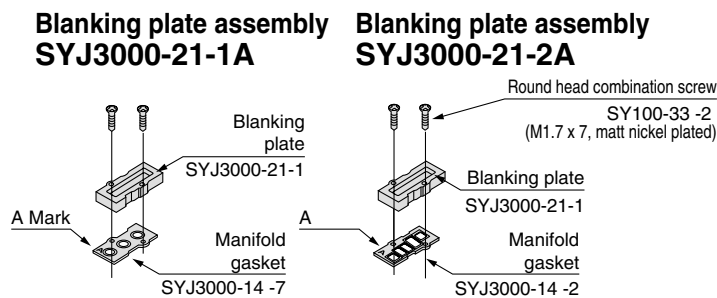
Use caution to the assembly orientation for solenoid valves, gasket, and optional parts.

Series SYJ3000

Combinations of Solenoid Valve, Manifold Gasket and Manifold Base



Combination of Blanking Plate Assembly and Manifold Base



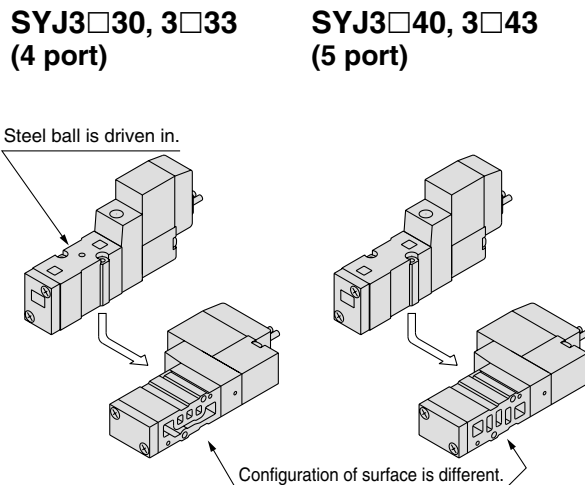
Applicable manifold base
Type SS5YJ3-20 Manifold base

Applicable manifold base
Sub-plate
Type SS5YJ3-41 } Manifold base
Type SS5YJ3-S41 }
Type SS5YJ3-46 }
Type SS5YJ3-S46 }
Type SS5YJ3-31 }
Type SS5YJ3-S31 }
Type SS5YJ3-32 }
Type SS5YJ3-S32 }

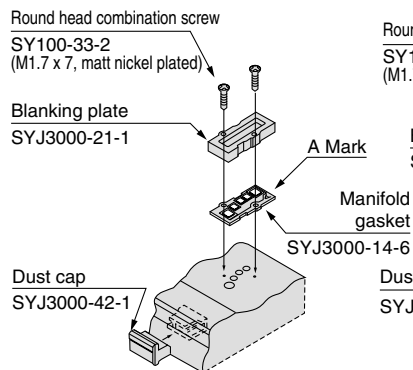
Note) Manifold gasket "SYJ3000-14-2" can be used with the following manifold bases.

Manifold base of {
Type SS5YJ3-31
Type -S31
Type -32
Type -S32

Difference between SYJ3□3₃⁰ and SYJ3□4₃⁰

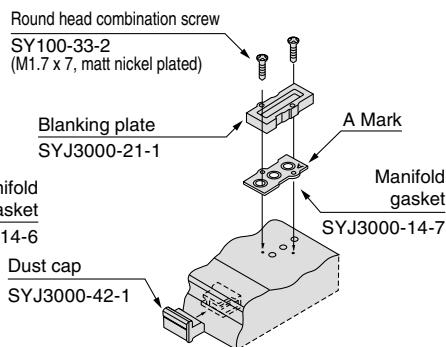


Blanking plate assembly SYJ3000-21-4A



Applicable manifold base
Type SS5YJ3-32P
Manifold base

Blanking plate assembly SYJ3000-21-3A



Applicable manifold base
Type SS5YJ3-21P
Manifold base

Caution

Mounting screw tightening torques

M1.7: 0.12 N·m

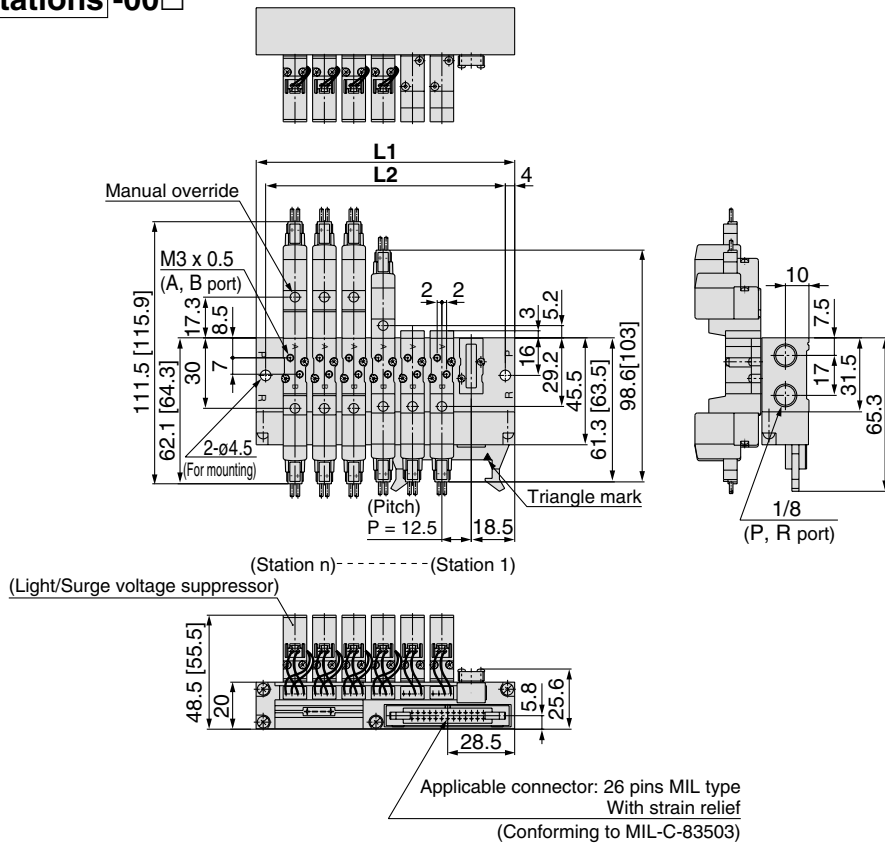
Use caution to the assembly orientation for solenoid valves, gasket, and optional parts.

Series SYJ3000

Flat Ribbon Cable Manifold



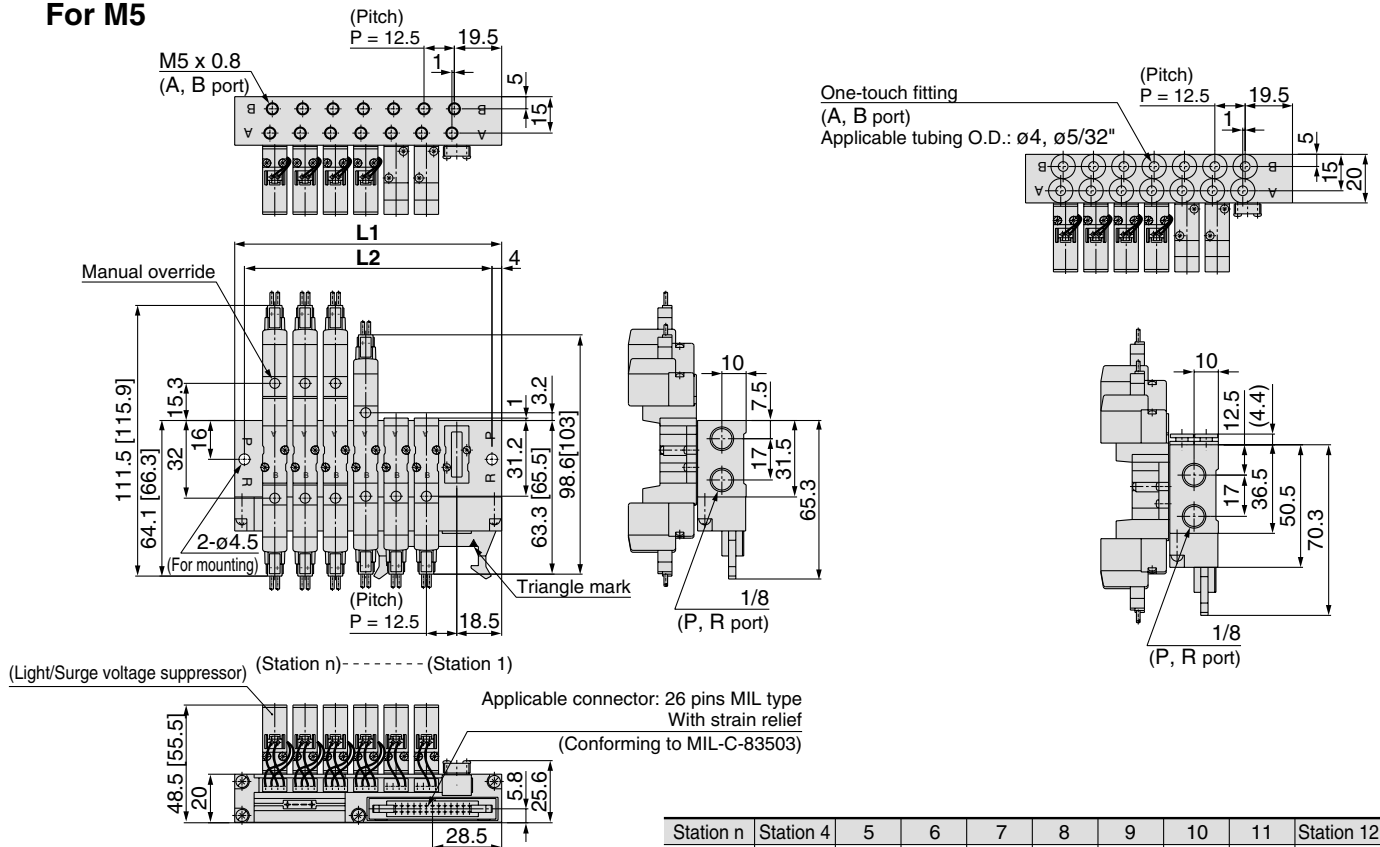
SS5YJ3-21P- Stations -00



SS5YJ3-32P- Stations -M5, C4

For M5

For C4 (Built-in One-touch fitting)



Station n	Station 4	5	6	7	8	9	10	11	Station 12
L1	72.5	85	97.5	110	122.5	135	147.5	160	172.5
L2	64.5	77	89.5	102	114.5	127	139.5	152	164.5