

Series SYJ5000 Manifold Specifications

Manifold Standard



Manifold Specifications

Model		Type 20	Type 40	Type 41	Type 42	Type 43
Manifold type		Single base/B mount				
P (SUP), R (EXH)		Common SUP, Common EXH				
Valve stations		2 to 20 stations				
A, B port Porting specifications	Location	Valve	Base	Base		
	Direction	Top	Bottom	Side		
Port size	P, R port	1/8			1/4	1/8
	A, B port	M5 x 0.8, C4 (One-touch fitting for ø4) C6 (One-touch fitting for ø6)	M5 x 0.8		1/8, C6 (One-touch fitting for ø6)	C4 (One-touch fitting for ø4)

SV

SZ

SY

SYJ

SX

Flow Characteristics

Manifold			Port size		Flow characteristics					
					1→4/2 (P→A/B)			4/2→5/3 (A/B→R)		
			1(P), 5/3(R) Port	2(B), 4(A) Port	C [dm ³ /(s·bar)]	b	Cv	C [dm ³ /(s·bar)]	b	Cv
Body ported for internal pilot	SS5YJ5-20	SYJ5□2□	1/8	M5 x 0.8	0.46	0.39	0.12	0.75	0.32	0.19
			1/8	C4	0.62	0.33	0.16	0.83	0.27	0.20
			1/8	C6	0.79	0.36	0.21	0.91	0.36	0.24
Base mounted for internal pilot	SS5YJ5-40 SS5YJ5-41 SS5YJ5-42-01 SS5YJ5-42-C6 SS5YJ5-43	SYJ5□4□	1/8	M5 x 0.8	0.55	0.35	0.15	0.64	0.26	0.16
			1/8	M5 x 0.8	0.59	0.35	0.16	0.68	0.23	0.17
			1/4	1/8	0.74	0.22	0.18	0.82	0.31	0.21
			1/4	C6	0.71	0.24	0.17	0.8	0.29	0.20
			1/8	C4	0.55	0.29	0.14	0.74	0.32	0.19



Note) Value at manifold base mounted, 2 position single operating

How to Order Manifold (Example)

Instruct by specifying the valves and blanking plate assembly to be mounted on the manifold along with the manifold base model no.

Example: **SS5YJ5-20-03** 1 pc. (Manifold base)

* **SYJ5120-5G-M5** 2 pcs. (Valve)

* **SYJ5000-21-1A** 1 pc. (Blanking plate assembly)

SS5YJ5-43-03-C4 1 pc. (Manifold base)

* **SYJ5140-5LZ** 1 pc. (Valve)

* **SYJ5240-5LZ** 1 pc. (Valve)

* **SYJ5000-21-1A** 1 pc. (Blanking plate assembly)

↳ The asterisk denotes the symbol for assembly. Prefix it to the part nos. of the solenoid valve, etc.

* Use manifold specification sheet.

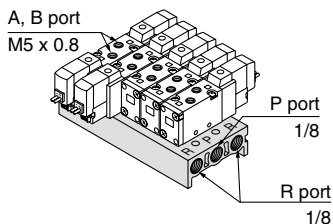
5 Port Solenoid Valve Rubber Seal Series SYJ5000

Common SUP/Common EXH



Note) For more than 8 stations, supply air to both sides of P port and exhaust air from both sides of R port.

Type 20 (5 Port/Body ported)



How to Order

SS5YJ5-20-05-□

Number of stations

02	2 stations
:	:
20	20 stations

P, R port thread type

Nil	Rc
00F	G
00N	NPT
00T	NPTF

Applicable solenoid valve

SYJ5□20-□□□□-^{M5}
SYJ5□23-□□□□-^{M5}
^{C4}
^{C6}

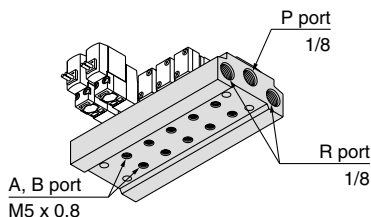
Applicable blanking plate assembly

SYJ5000-21-1A

Applicable individual EXH spacer assembly

SYJ5000-17-1A

Type 40 (5 Port/Base mounted)



How to Order

SS5YJ5-40-05-M5-□

Stations

02	2 stations
:	:
20	20 stations

P, R port thread type

Nil	Rc
F	G
N	NPT
T	NPTF

A, B port size

M5	M5 x 0.8
----	----------

Applicable solenoid valve

SYJ5□40-□□□□
SYJ5□43-□□□□
SYJ5□50-□□□□
SYJ5□53-□□□□

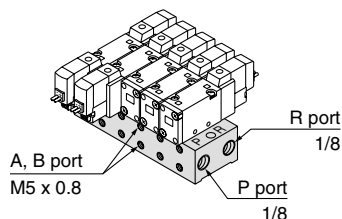
Applicable blanking plate assembly

SYJ5000-21-1A

Applicable individual EXH spacer assembly

ARBYJ5000-00-P

Type 41 (5 Port/Base mounted)



How to Order

SS5YJ5-41-05-M5-□

Stations

02	2 stations
:	:
20	20 stations

P, R port thread type

Nil	Rc
F	G
N	NPT
T	NPTF

A, B port size

M5	M5 x 0.8
----	----------

Applicable solenoid valve

SYJ5□40-□□□□
SYJ5□43-□□□□
SYJ5□50-□□□□
SYJ5□53-□□□□

Applicable blanking plate assembly

SYJ5000-21-1A

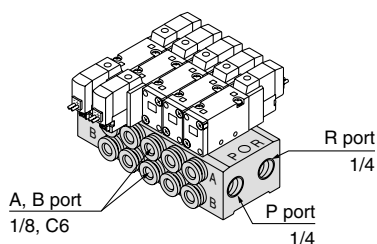
Applicable individual EXH spacer assembly

SYJ5000-17-1A

Applicable individual SUP spacer assembly

SYJ5000-16-2A

Type 42 (5 Port/Base mounted)



How to Order

SS5YJ5-42-05-C6-□

Stations

02	2 stations
:	:
20	20 stations

Thread type

Nil	Rc
F	G
N	NPT
T	NPTF

A, B port size

01	1/8
C6	One-touch fitting for ø6
N7	One-touch fitting for ø1/4"

Applicable solenoid valve

SYJ5□40-□□□□
SYJ5□43-□□□□
SYJ5□50-□□□□
SYJ5□53-□□□□

Applicable blanking plate assembly

SYJ5000-21-1A

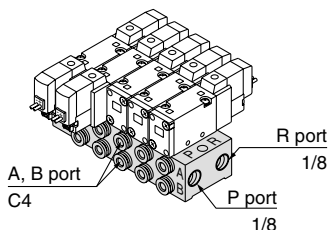
Applicable individual EXH spacer assembly

SYJ5000-17-1A

Applicable individual SUP spacer assembly

SYJ5000-16-2A

Type 43 (5 Port/Base mounted)



How to Order

SS5YJ5-43-05-C4-□

Stations

02	2 stations
:	:
20	20 stations

P, R port thread type

Nil	Rc
F	G
N	NPT
T	NPTF

A, B port size

C4	One-touch fitting for ø4
N3	One-touch fitting for ø5/32"

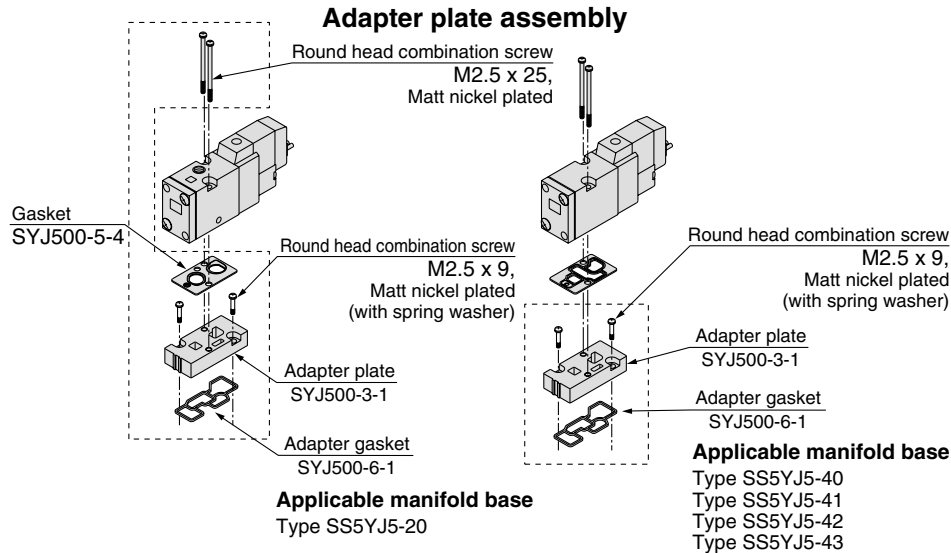
Applicable individual SUP spacer assembly

ARBYJ5000-00-P

5 Port Solenoid Valve Rubber Seal Series SYJ5000

Mix Installation of the SYJ500 and the SYJ5000 Valves on the Same Manifold

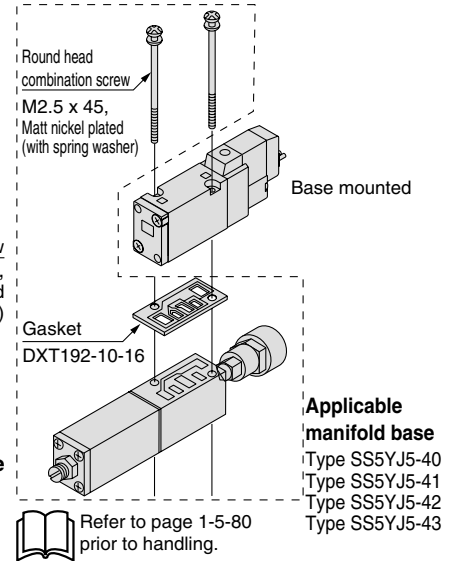
- Use of an adapter plate makes it possible to mount Series SYJ500 on the manifold bases of series SYJ5000.
- When mounting the SYJ500 valve on the SYJ5000 manifold, the SYJ500 solenoid must be positioned on the same side of the manifold as a single solenoid SYJ500. (Refer to the figure below.)
- For base mounted style, the A port of the 3 port valve flows out the B port of manifold base.



Interface Regulator (P port regulation)

Spacer type regulating valve on manifold block can regulate the pressure to the valve individually.

ARBYJ5000-00-P



SV

SZ

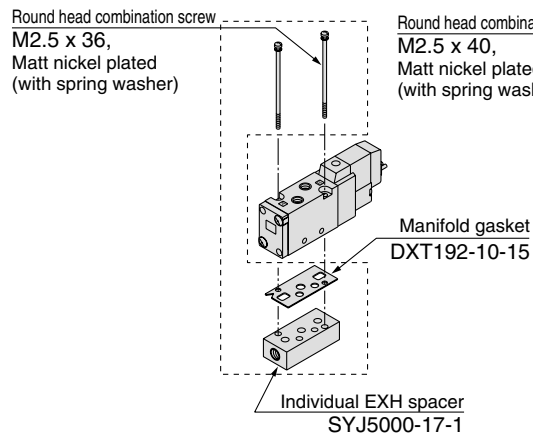
SY

SYJ

SX

Individual EXH Spacer Assembly

SYJ5000-17-1A

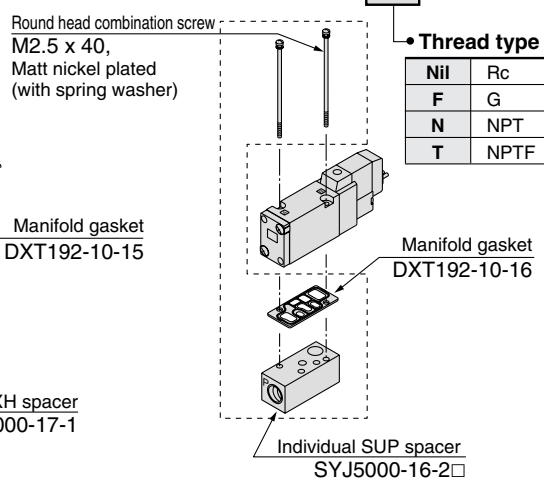


Applicable manifold base

Type SS5YJ5-20
Type SS5YJ5-40
Type SS5YJ5-41
Type SS5YJ5-42
Type SS5YJ5-43

Individual SUP Spacer Assembly

SYJ5000-16-2



Applicable manifold base

Type SS5YJ5-41
Type SS5YJ5-42
Type SS5YJ5-43

⚠ Caution

Mounting screw tightening torques

M2.5: 0.45 N·m

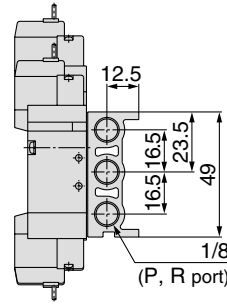
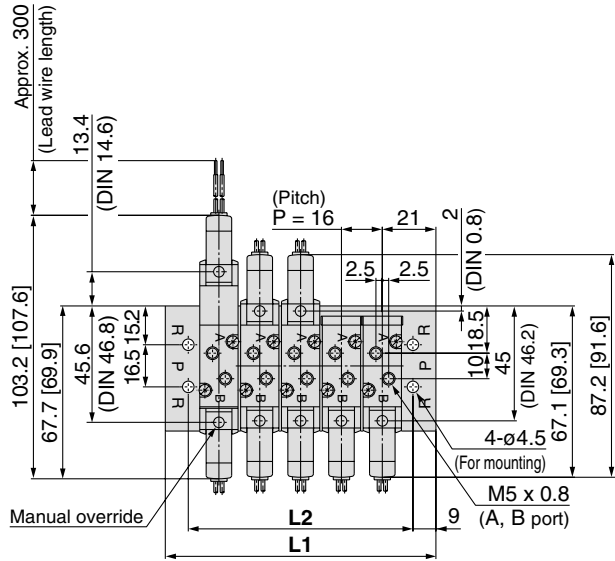
Use caution to the assembly orientation for solenoid valves, gasket, and optional parts.

Series SYJ5000

Type 20: Top Ported/SS5YJ5-20- Stations -00□

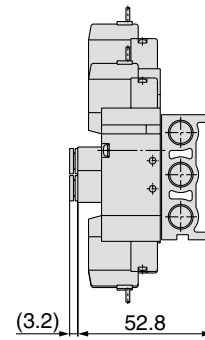
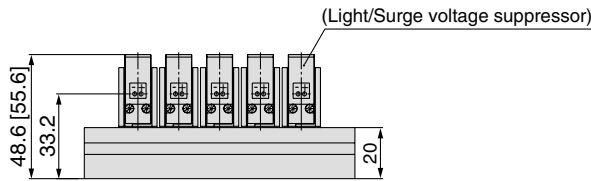


Grommet (G)



Built-in One-touch fitting

(Station n)----- (Station 1)

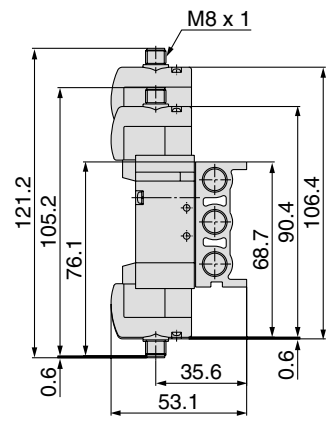
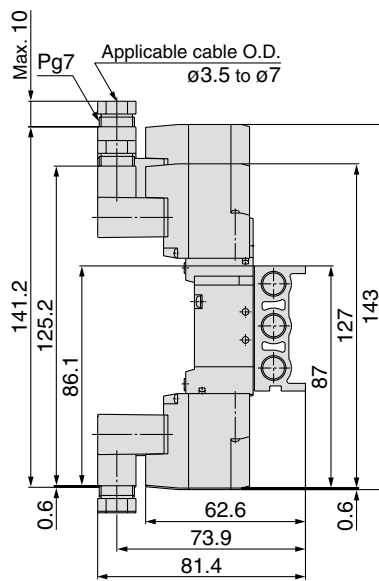
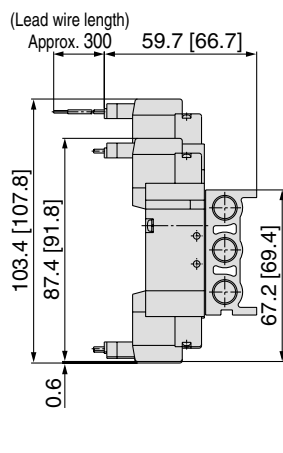
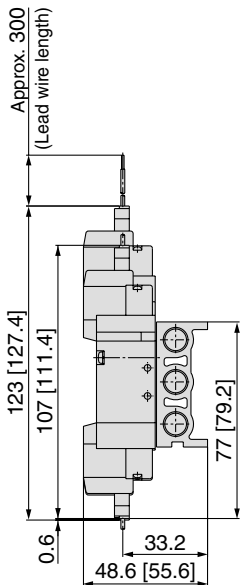


L plug connector (L)

M plug connector (M)

DIN terminal (D)

M8 connector (WO)



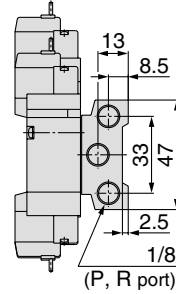
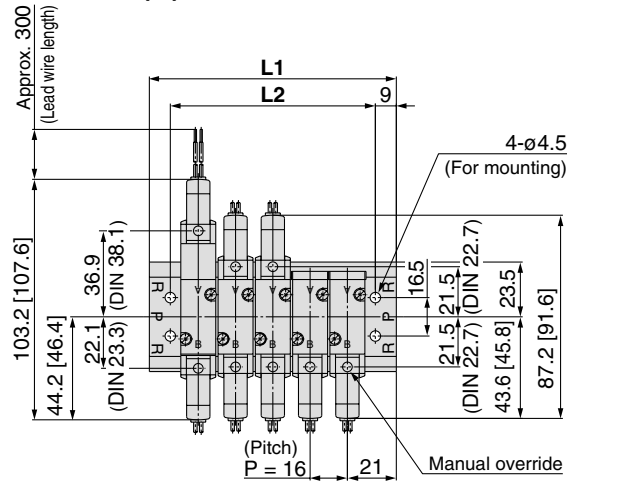
Refer to page 1-5-79 for dimensions with connector cable.

Station n	Station 2	3	4	5	6	7	8	9	10	11	12	13	14	15	16	17	18	19	Station 20
L1	58	74	90	106	122	138	154	170	186	202	218	234	250	266	282	298	314	330	346
L2	40	56	72	88	104	120	136	152	168	184	200	216	232	248	264	280	296	312	328

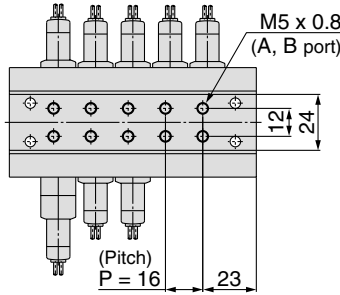
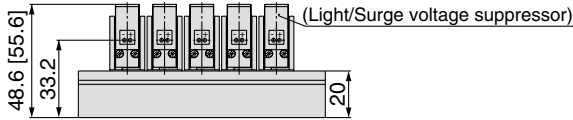
Type 40: Bottom Ported/SS5YJ5-40- Stations -M5□



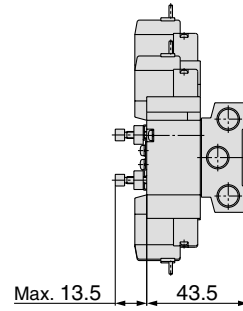
Grommet (G)



(Station n) ----- (Station 1)



Built-in speed controller

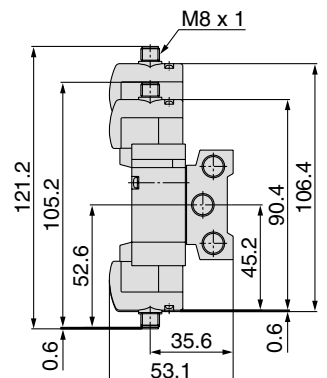
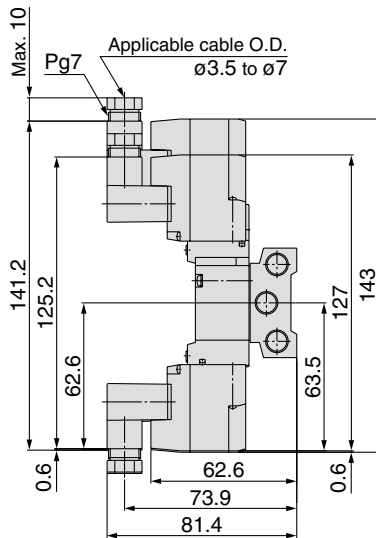
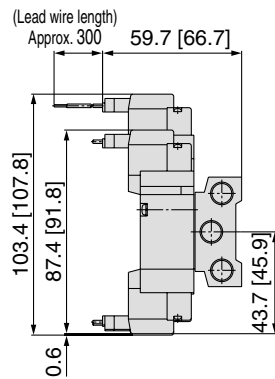
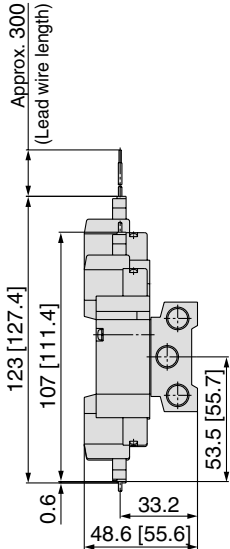


L plug connector (L)

M plug connector (M)

DIN terminal (D)

M8 connector (WO)



Refer to page 1-5-79 for dimensions with connector cable.

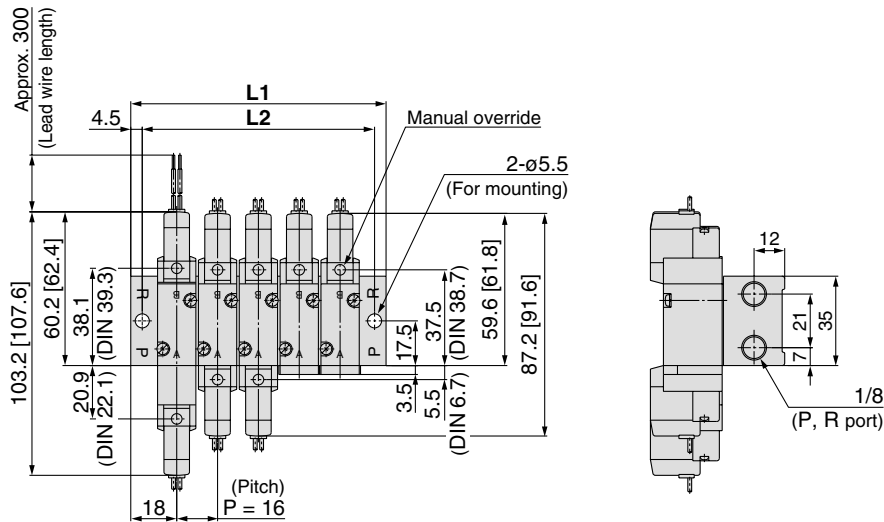
Station n	Station 2	3	4	5	6	7	8	9	10	11	12	13	14	15	16	17	18	19	Station 20
L1	58	74	90	106	122	138	154	170	186	202	218	234	250	266	282	298	314	330	346
L2	40	56	72	88	104	120	136	152	168	184	200	216	232	248	264	280	296	312	328

Series SYJ5000

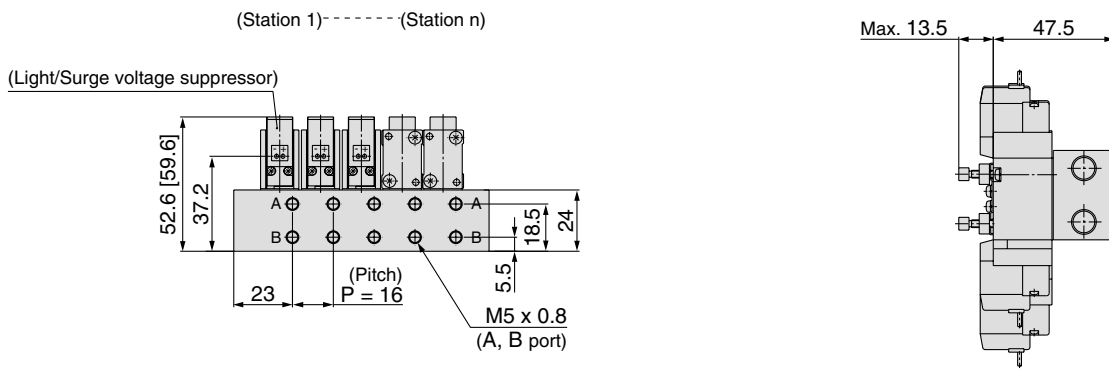
Type 41: Side Ported/SS5YJ5-41- Stations -M5□



Grommet (G)



Built-in speed controller

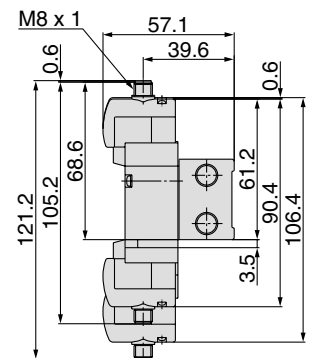
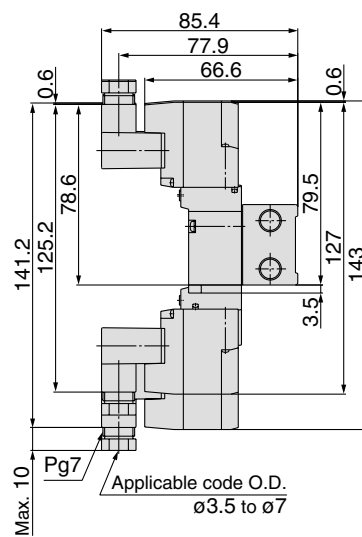
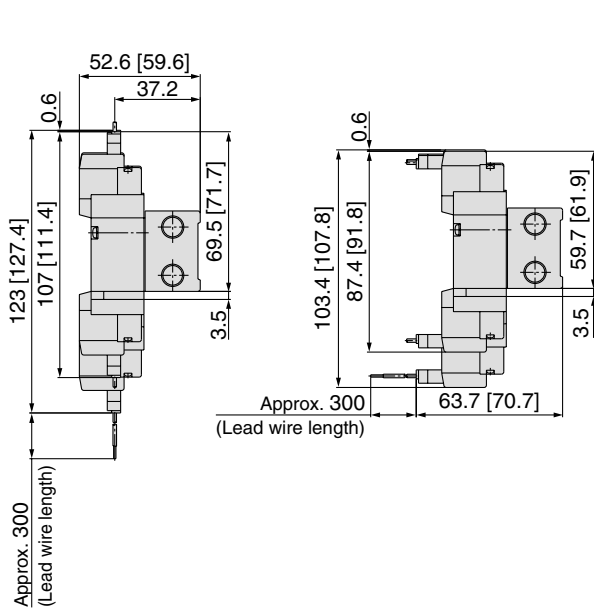


L plug connector (L)

M plug connector (M)

DIN terminal (D)

M8 connector (WO)



Refer to page 1-5-79 for dimensions with connector cable.

Station n	Station 2	3	4	5	6	7	8	9	10	11	12	13	14	15	16	17	18	19	Station 20
L1	52	68	84	100	116	132	148	164	180	196	212	228	244	260	276	292	308	324	340
L2	43	59	75	91	107	123	139	155	171	187	203	219	235	251	267	283	299	315	331

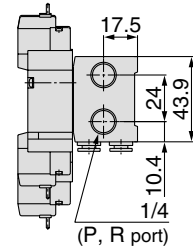
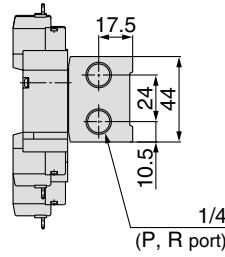
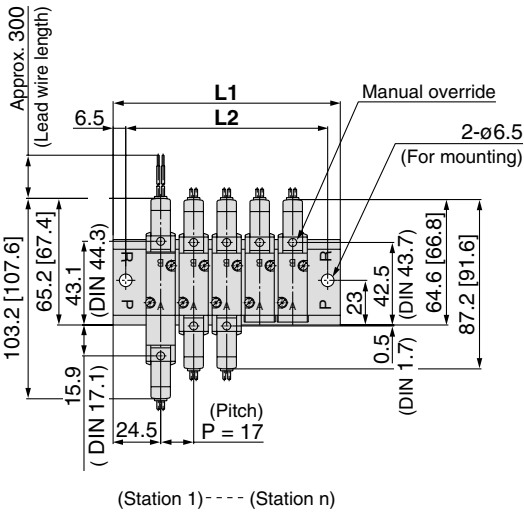
5 Port Solenoid Valve Rubber Seal Series SYJ5000

Type 42: Side Ported/SS5YJ5-42- Stations -01, C6 N7

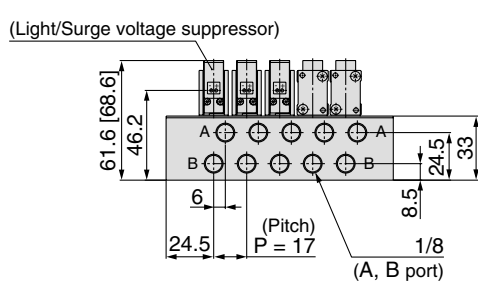


Grommet (G)
For 01

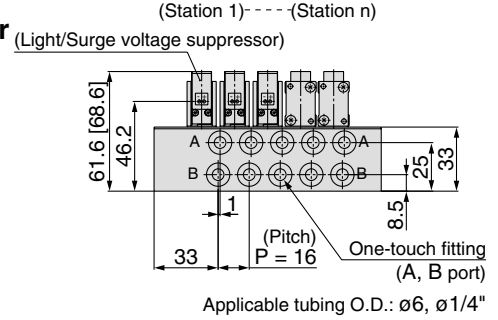
For C6 N7 (Built-in One-touch fitting)



- SV
- SZ
- SY
- SYJ**
- SX



Built-in speed controller



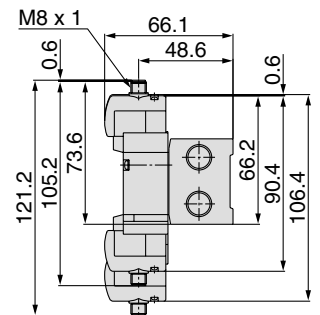
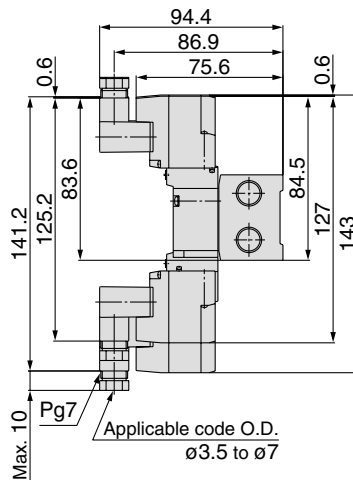
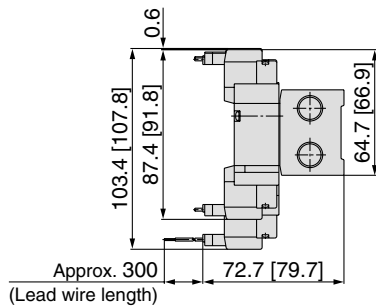
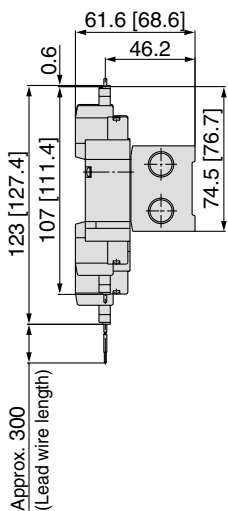
* Other dimensions are the same as the grommet type.

L plug connector (L)

M plug connector (M)

DIN terminal (D)

M8 connector (WO)



Refer to page 1-5-79 for dimensions with connector cable.

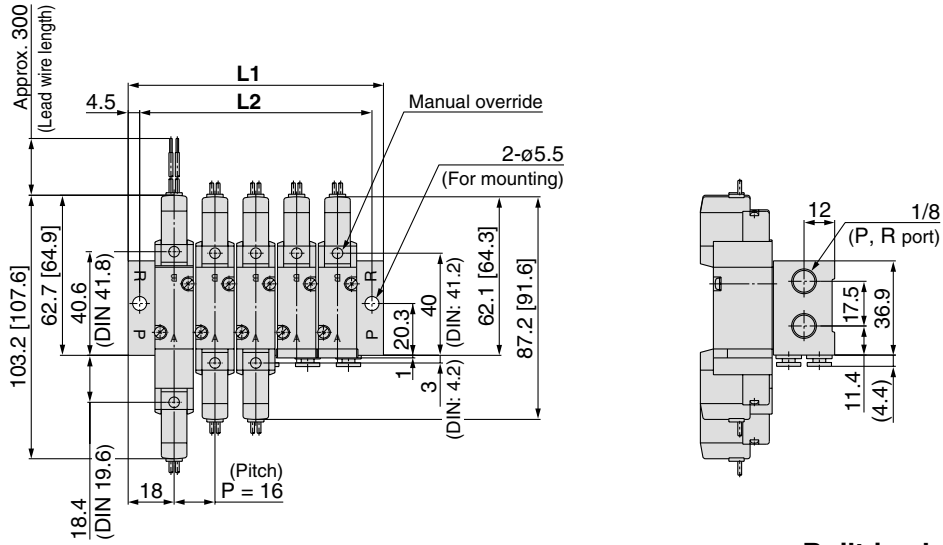
A, B port size	Station n	Station 2	3	4	5	6	7	8	9	10	11	12	13	14	15	16	17	18	19	Station 20
For 1/8	L1	66	83	100	117	134	151	168	185	202	219	236	253	270	287	304	321	338	355	372
	L2	53	70	87	104	121	138	155	172	189	206	223	240	257	274	291	308	325	342	359
For C6/N7	L1	65	81	97	113	129	145	161	177	193	209	225	241	257	273	289	305	321	337	353
	L2	52	68	84	100	116	132	148	164	180	196	212	228	244	260	276	292	308	324	340

Series SYJ5000

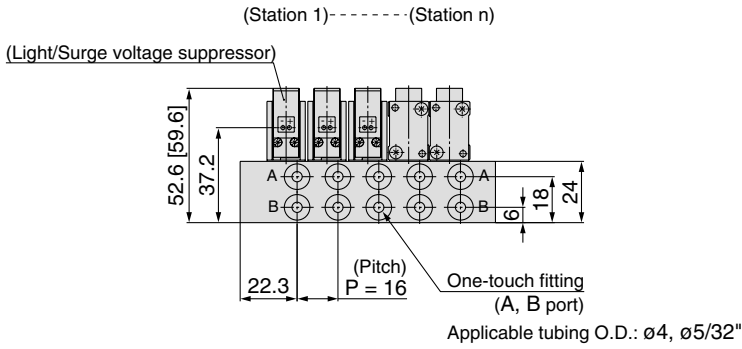
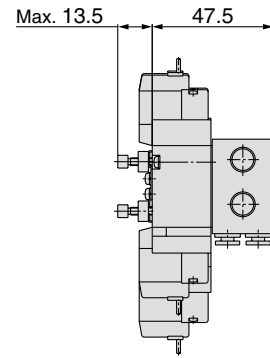
Type 43: Side Ported/SS5YJ3-43- Stations C4 N3



Grommet (G)



Built-in slottle valve

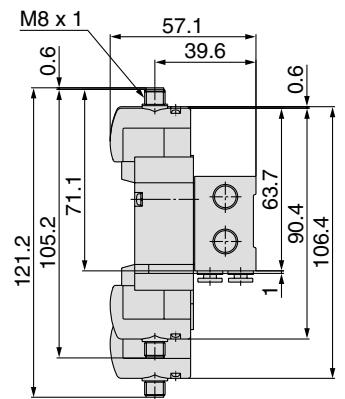
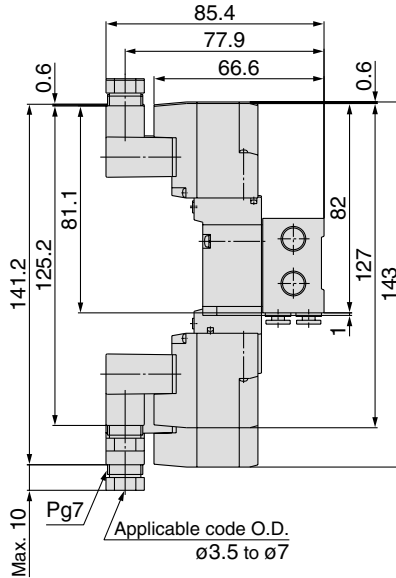
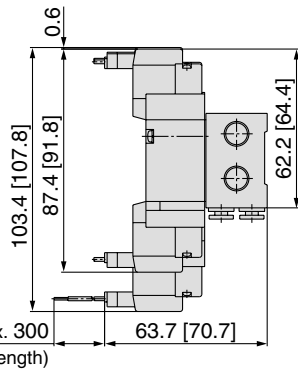
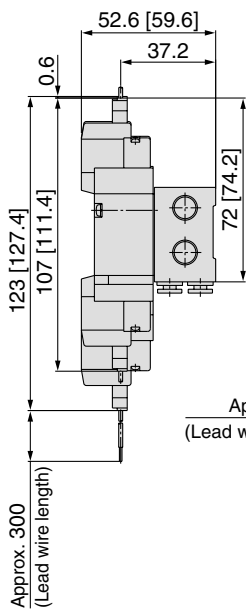


L plug connector (L)

M plug connector (M)

DIN terminal (D)

M8 connector (WO)



Refer to page 1-5-79 for dimensions with connector cable.

Station n	Station 2	3	4	5	6	7	8	9	10	11	12	13	14	15	16	17	18	19	Station 20
L1	52	68	84	100	116	132	148	164	180	196	212	228	244	260	276	292	308	324	340
L2	43	59	75	91	107	123	139	155	171	187	203	219	235	251	267	283	299	315	331