

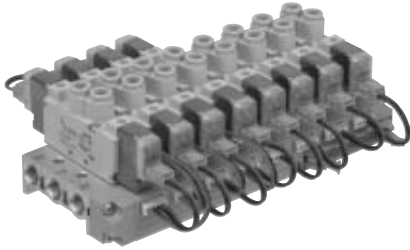
# Series SYJ5000

## Flat Ribbon Cable Manifold

• Multiple valve wiring is simplified through the use of the flat cable connector.

• Clean appearance

In the case of a flat ribbon cable type, each valve is wired on the print board of manifold base to allow the external wiring to be piped all together with 26 pins MIL connector.



## Flat Ribbon Cable Manifold Specifications

Model		Type 20	Type 41P	Type 43P
Manifold type		Single base/B mount		
P (SUP), R (EXH)		Common SUP, Common EXH		
Valve stations		3 to 12 stations		
A, B port Porting specifications	Location	Valve	Base	
	Direction	Top	Side	
Port size	P, R port	1/8		1/8
	A, B port	M5 x 0.8, C4 (One-touch fitting for ø4) C6 (One-touch fitting for ø6)	M5 x 0.8	C4 (One-touch fitting for ø4)
Applicable flat ribbon cable connector		Socket: 26 pins MIL type with strain relief (MIL-C-83503)		
Internal wiring		In common between +COM and -COM (Z type: +COM only)		
Rated voltage		24, 12 VDC/100, 110 VAC		

Note) The withstand voltage specification for the wiring unit section conforms to JIS C 0704, Grade 1 or its equivalent.

## Flow Characteristics

Manifold		Port size		Flow characteristics						
				1→4/2 (P→A/B)			4/2→5/3 (A/B→R)			
		1(P), 5/3(R) Port	2(B), 4(A) Port	C [dm <sup>3</sup> /(s·bar)]	b	Cv	C [dm <sup>3</sup> /(s·bar)]	b	Cv	
Body ported for internal pilot	SS5YJ5-20P	SYJ5□23	1/8	M5 x 0.8	0.46	0.39	0.12	0.75	0.32	0.19
			1/8	C4	0.62	0.33	0.16	0.83	0.27	0.20
			1/8	C6	0.79	0.36	0.21	0.91	0.36	0.24
Base mounted for internal pilot	SS5YJ5-41P	SYJ5□43	1/8	M5 x 0.8	0.59	0.35	0.16	0.68	0.23	0.17
			1/8	C4	0.55	0.29	0.14	0.74	0.32	0.19

Note) Value at manifold base mounted, 2 position single operating

## How to Order Manifold (Example)

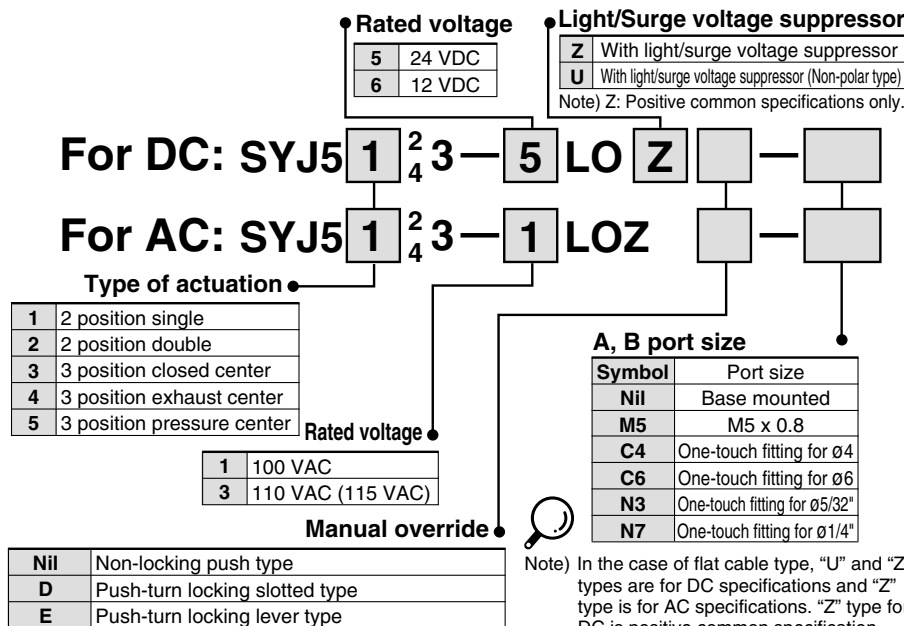
Instruct by specifying the valves and blanking plate assembly to be mounted on the manifold along with the manifold base model no.

Example: **SS5YJ5-41P-07-C4** ..... 1 pc. (Manifold base)  
 \* **SYJ5143-5LOU** ..... 3 pcs. (Valve)  
 \* **SYJ5243-5LOU** ..... 3 pcs. (Valve)  
 \* **SYJ5000-21-3A** ..... 1 pc. (Blanking plate assembly)  
 \* **SY3000-37-28A** ..... 3 pcs. (Connector assembly)  
 \* **SY3000-37-29A** ..... 3 pcs. (Connector assembly)

↳ The asterisk denotes the symbol for assembly. Prefix it to the part nos. of the solenoid valve, etc.

\* Use manifold specification sheet.

## How to Order Valves



## How to Order Connector Assembly

12, 24 VDC	
Single solenoid	SY3000-37-28A
Double solenoid, 3 position type	SY3000-37-29A
Single solenoid, individual SUP, EXH spacer	SY3000-37-3A
Double solenoid, 3 position individual SUP/EXH spacer	SY3000-37-4A
Interface regulator for single solenoid	SY3000-37-3A
Double solenoid, 3 position interface regulator	SY3000-37-6A
3 port adaptor plate	SY3000-37-3A

100 VAC	
Single solenoid	SY3000-37-46A
Double solenoid, 3 position type	SY3000-37-47A
Single solenoid, individual SUP, EXH spacer	SY3000-37-32A
Double solenoid, 3 position individual SUP/EXH spacer	SY3000-37-33A
Interface regulator for single solenoid	SY3000-37-15A
Double solenoid, 3 position interface regulator	SY3000-37-34A
3 port adaptor plate	SY3000-37-32A

100 VAC (115 VAC)	
Single solenoid	SY3000-37-54A
Double solenoid, 3 position type	SY3000-37-55A
Single solenoid, individual SUP, EXH spacer	SY3000-37-35A
Double solenoid, 3 position individual SUP/EXH spacer	SY3000-37-36A
Interface regulator for single solenoid	SY3000-37-19A
Double solenoid, 3 position interface regulator	SY3000-37-37A
3 port adaptor plate	SY3000-37-35A

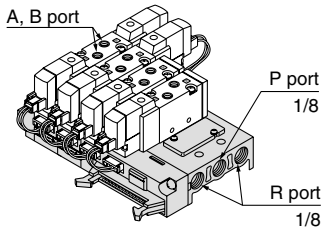
# Series SYJ5000

## Flat Ribbon Cable Manifold

### Common SUP/Common EXH

Note) For more than 8 stations, supply air to both sides of P port and exhaust air from both sides of R port.

#### Type 20 (5 Port/Body ported)



How to Order

**SS5YJ5-20P-05** [ ]

Number of stations

03	3 stations
:	:
12	12 stations

P, R port thread type

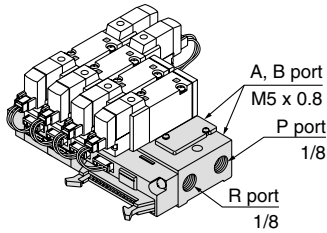
Nil	Rc
00F	G
00N	NPT
00T	NPTF

Applicable solenoid valve  
Refer to page 1-5-38.

Applicable blanking plate assembly  
SYJ5000-21-3A

Applicable connector assembly  
Refer to page 1-5-38.

#### Type 41P (5 Port/Base mounted)



How to Order

**SS5YJ5-41P-05-M5** [ ]

Number of stations

03	3 stations
:	:
12	12 stations

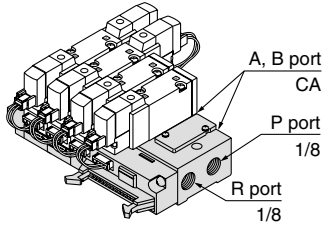
P, R port thread type

Nil	Rc
F	G
N	NPT
T	NPTF

Applicable solenoid valve  
Refer to page 1-5-38.

Applicable blanking plate assembly  
SYJ5000-21-3A

#### Type 43P (5 Port/Base mounted)



How to Order

**SS5YJ5-43P-05-C4** [ ]

Number of stations

03	3 stations
:	:
12	12 stations

A, B port size

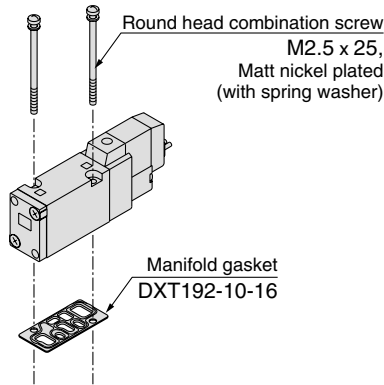
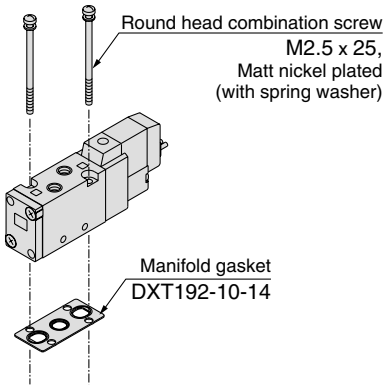
C4	One-touch fitting for $\phi 4$
N3	One-touch fitting for $\phi 5/32$ "

P, R port thread type

Nil	Rc
F	G
N	NPT
T	NPTF

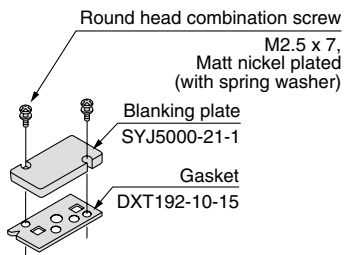
Applicable connector assembly  
Refer to page 1-5-38.

## Combinations of Solenoid Valve, Manifold Gasket and Manifold Base



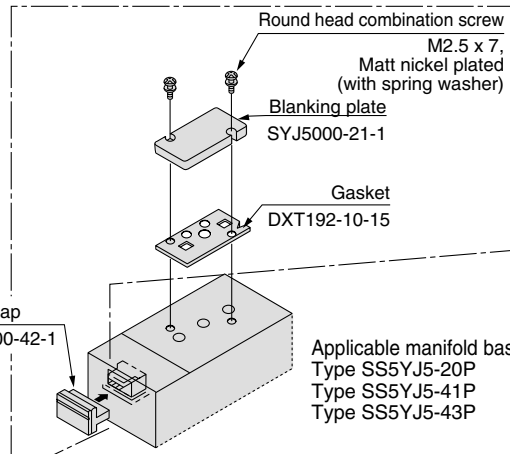
## L Blanking Plate Assembly

### SYJ5000-21-4A



Applicable manifold base  
Type SS5YJ5-20  
Type SS5YJ5-40  
Type SS5YJ5-41  
Type SS5YJ5-42  
Type SS5YJ5-43

### SYJ5000-21-3A



Applicable manifold base  
Type SS5YJ5-20P  
Type SS5YJ5-41P  
Type SS5YJ5-43P

### Caution

Mounting screw tightening torques

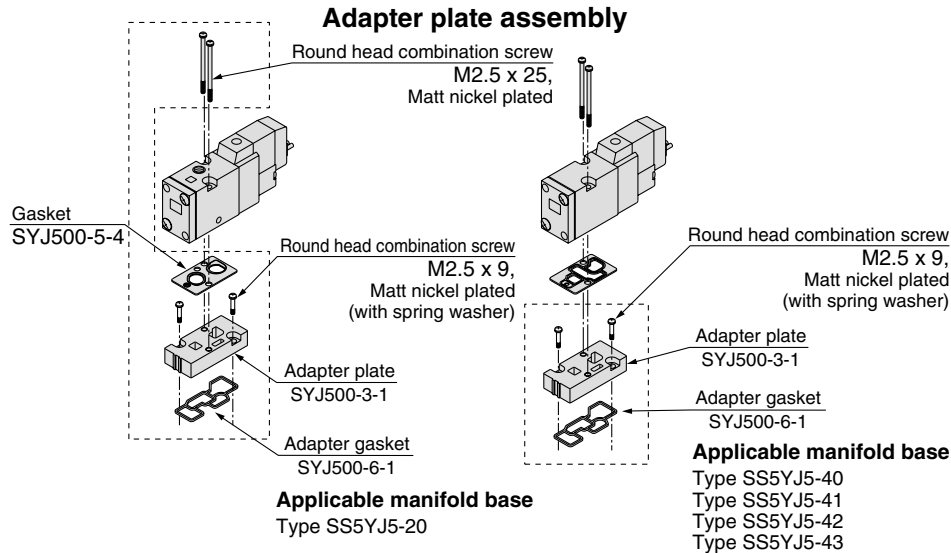
M2.5: 0.45 N·m

Use caution to the assembly orientation for solenoid valves, gasket, and optional parts.

# 5 Port Solenoid Valve Rubber Seal Series SYJ5000

## Mix Installation of the SYJ500 and the SYJ5000 Valves on the Same Manifold

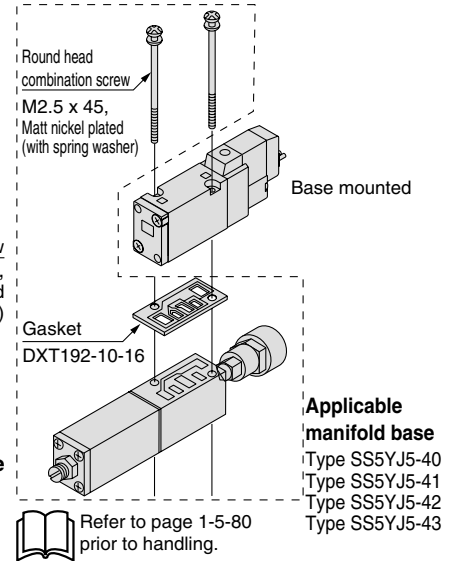
- Use of an adapter plate makes it possible to mount Series SYJ500 on the manifold bases of series SYJ5000.
- When mounting the SYJ500 valve on the SYJ5000 manifold, the SYJ500 solenoid must be positioned on the same side of the manifold as a single solenoid SYJ500. (Refer to the figure below.)
- For base mounted style, the A port of the 3 port valve flows out the B port of manifold base.



## Interface Regulator (P port regulation)

Spacer type regulating valve on manifold block can regulate the pressure to the valve individually.

### ARBYJ5000-00-P



SV

SZ

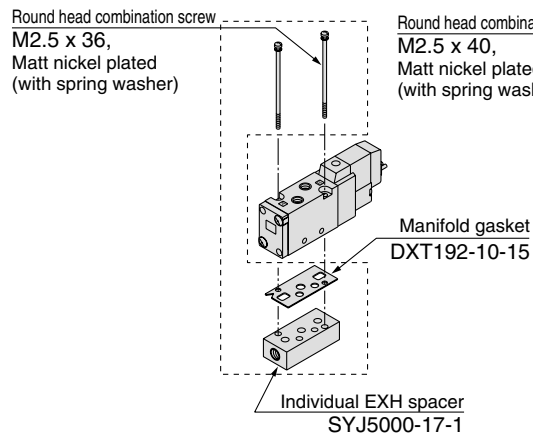
SY

SYJ

SX

## Individual EXH Spacer Assembly

### SYJ5000-17-1A

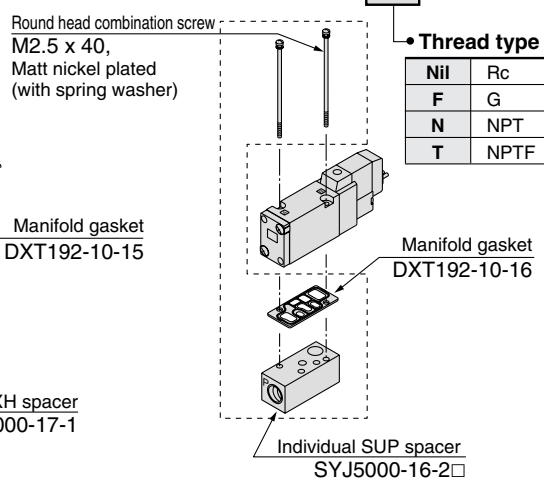


#### Applicable manifold base

Type SS5YJ5-20  
Type SS5YJ5-40  
Type SS5YJ5-41  
Type SS5YJ5-42  
Type SS5YJ5-43

## Individual SUP Spacer Assembly

### SYJ5000-16-2



#### Applicable manifold base

Type SS5YJ5-41  
Type SS5YJ5-42  
Type SS5YJ5-43

## Caution

### Mounting screw tightening torques

M2.5: 0.45 N·m

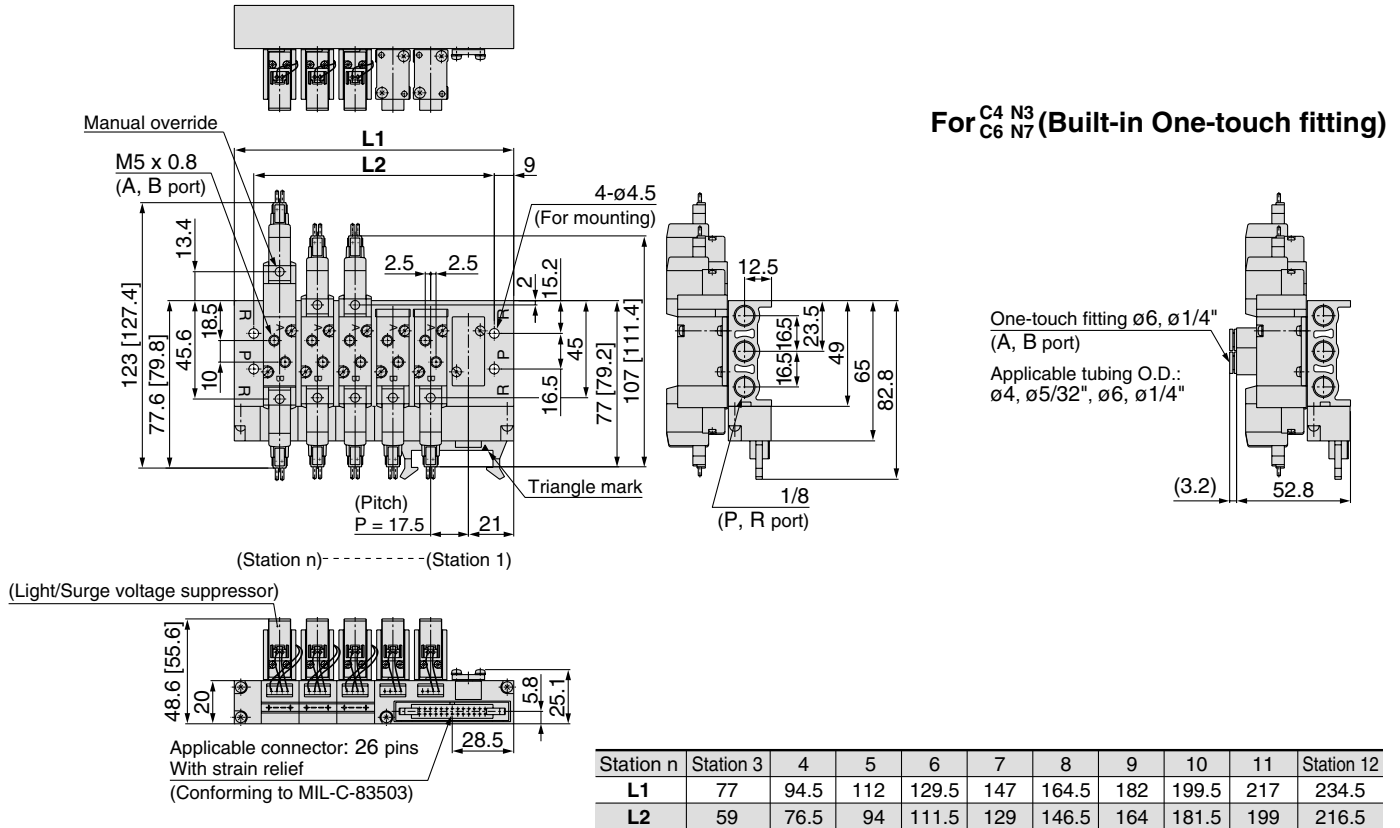
Use caution to the assembly orientation for solenoid valves, gasket, and optional parts.



## Flat Ribbon Cable Manifold

### SS5YJ5-20P- Stations -00□

For <sup>C4 N3</sup><sub>C6 N7</sub> (Built-in One-touch fitting)



- SV
- SZ
- SY
- SYJ**
- SX

### SS5YJ5-41P- Stations -M5□

Built-in slottle valve

