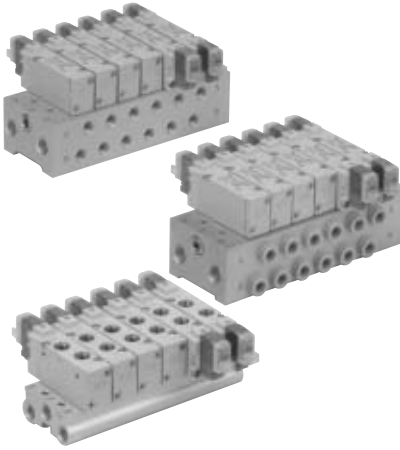


Series SYJ7000

Manifold Specifications

Manifold Standard



Manifold Specifications

Model		Type 20	Type 21	Type 40	Type 20	Type 42
Manifold type		Single base/B mount				
P (SUP), R (EXH)		Common SUP, Common EXH				
Valve stations		2 to 15 stations		2 to 20 stations		
A, B port Porting specifications	Location	Valve		Base	Base	
	Direction	Top		Bottom	Side	
Port size	P, R port	1/8		1/4		
	A, B port	1/8 C6 (One-touch fitting for ø6) C8 (One-touch fitting for ø8)		1/8		C6 (One-touch fitting for ø6) C8 (One-touch fitting for ø8)

SV

SZ

SY

SYJ

SX

Flow Characteristics

Manifold		Port size		Flow characteristics					
				1→4/2 (P→A/B)			4/2→5/3 (A/B→R)		
		1(P), 5/3(R) port	2(B), 4(A) port	C [dm ³ /(s·bar)]	b	Cv	C [dm ³ /(s·bar)]	b	Cv
Body ported for internal pilot	SS5YJ7-20	1/8	C6	2.2	0.35	0.57	2.3	0.26	0.55
	1/8	C8	1.7	0.38	0.45	2.1	0.25	0.51	
	1/4	1/8	2.1	0.36	0.55	2.3	0.26	0.54	
	SS5YJ7-21	1/4	C6	1.4	0.32	0.36	2.1	0.24	0.50
1/4		C8	1.8	0.37	0.50	2.1	0.20	0.50	
Base mounted for internal pilot	SS5YJ7-40	1/4	1/8	2.1	0.28	0.51	2.5	0.23	0.59
	SS5YJ7-41	1/4	1/8	2.0	0.30	0.50	2.2	0.30	0.55
	SS5YJ7-42-C6	1/4	C6	1.5	0.32	0.38	2.2	0.23	0.52
	SS5YJ7-42-C8	1/4	C8	1.9	0.24	0.46	2.2	0.26	0.53



Note) Value at manifold base mounted, 2 position single operating

How to Order Manifold (Example)

Instruct by specifying the valves and blanking plate assembly to be mounted on the manifold along with the manifold base model no.

Example: **SS5YJ7-20-03** 1 pc. (Manifold base)
 * **SYJ7120-5G-01** 2 pcs. (Valve)
 * **SYJ7000-21-1A** 1 pc. (Blanking plate assembly)

SS5YJ7-41-03-01 1 pc. (Manifold base)
 * **SYJ7140-5LZ** 1 pc. (Valve)
 * **SYJ7240-5LZ** 1 pc. (Valve)
 * **SYJ7000-21-1A** 1 pc. (Blanking plate assembly)

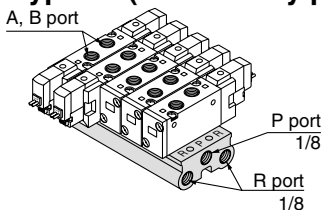
↳The asterisk denotes the symbol for assembly. Prefix it to the part nos. of the solenoid valve, etc.

* Use manifold specification sheet.

5 Port Solenoid Valve Rubber Seal Series SYJ7000

Manifold Standard/ Common SUP/Common EXH

Type 20 (5 Port/Body ported)



How to Order

SS5YJ7-20-05

Stations	
02	2 stations
:	:
15	15 stations

P, R port
thread type

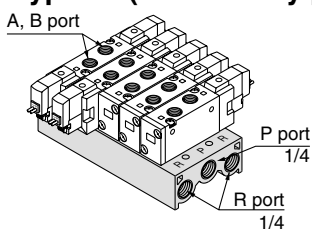
Nil	Rc
00F	G
00N	NPT
00T	NPTF

Applicable solenoid valve

SYJ□20-□□□□-01
C6
C8
SYJ□23-□□□□-01
C6
C8

Note) For more than 6 stations, supply air to both sides of P port and exhaust air from both sides of R port.

Type 21 (5 Port/Body ported)



How to Order

SS5YJ7-21-05

Stations	
02	2 stations
:	:
20	20 stations

P, R port
thread type

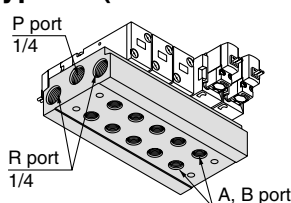
Nil	Rc
00F	G
00N	NPT
00T	NPTF

Applicable blanking
plate assembly
SYJ7000-21-1A

Applicable individual
EXH spacer assembly
SYJ7000-17-1A

Note) For more than 20 stations, supply air to both sides of P port and exhaust air from both sides of R port.

Type 40 (5 Port/Base mounted)



How to Order

SS5YJ7-40-05-01

Stations	
02	2 stations
:	:
20	20 stations

A, B port size

01	1/8
----	-----

Thread type

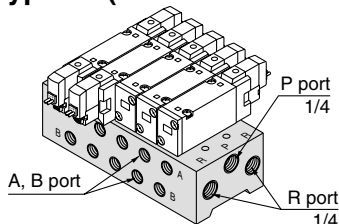
Nil	Rc
F	G
N	NPT
T	NPTF

Applicable solenoid valve

SYJ□40-□□□□
SYJ□43-□□□□

Note) For more than 10 stations, supply air to both sides of P port and exhaust air from both sides of R port.

Type 41 (5 Port/Base mounted)



How to Order

SS5YJ7-41-05-01

Stations	
02	2 stations
:	:
20	20 stations

A, B port size

01	1/8
----	-----

Thread type

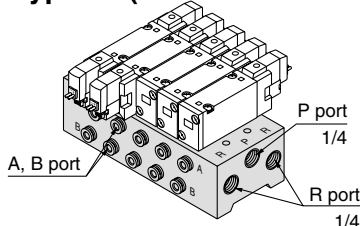
Nil	Rc
F	G
N	NPT
T	NPTF

Applicable blanking
plate assembly
SYJ7000-21-1A

Applicable individual
EXH spacer assembly
SYJ7000-17-2A

Note) For more than 8 stations, supply air to both sides of P port and exhaust air from both sides of R port.

Type 42 (5 Port/Base mounted)



How to Order

SS5YJ7-42-05-C6

Stations	
02	2 stations
:	:
20	20 stations

A, B port size

C6	One-touch fitting for ø6
C8	One-touch fitting for ø8
N7	One-touch fitting for ø1/4"
N9	One-touch fitting for ø5/16"

Thread type

Nil	Rc
F	G
N	NPT
T	NPTF

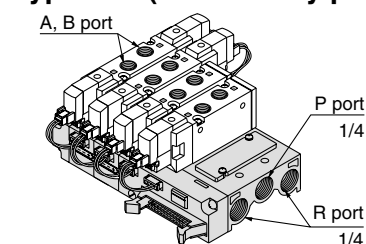
Applicable individual
SUP spacer assembly
SYJ7000-16-2A

Applicable interface
regulator
ARBYJ7000-00-P

Note) For more than 20 stations, supply air to both sides of P port and exhaust air from both sides of R port.

Flat Ribbon Cable Manifold/ Common SUP/Common EXH

Type 21P (5 Port/Body ported)



How to Order

SS5YJ7-21P-05

Stations	
03	3 stations
:	:
12	12 stations

P, R port
thread type

Nil	Rc
F	G
N	NPT
T	NPTF

Applicable solenoid valve
Refer to page 1-5-62.

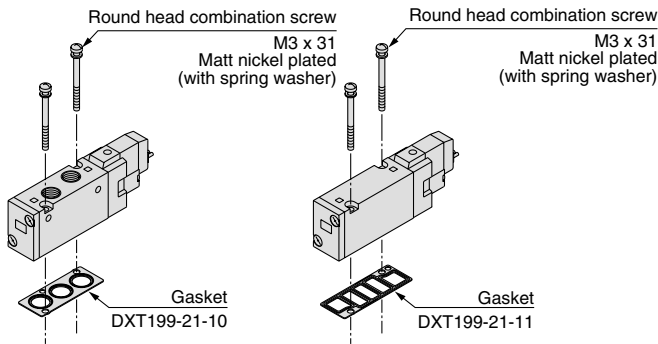
Applicable blanking
plate assembly
SYJ7000-21-3A

Applicable connector
assembly
Refer to page 1-5-62.

Note) For more than 10 stations, supply air to both sides of P port and exhaust air from both sides of R port.

Series SYJ7000

Combinations of Solenoid Valve, Manifold Gasket and Manifold Base



Applicable manifold base
Type SS5YJ7-20
Type SS5YJ7-21

Applicable manifold base Sub-plate
Type SS5YJ7-40
Type SS5YJ7-41
Type SS5YJ7-42

Mix Installation of SYJ700 and SYJ7000 Valves on the Same Manifold

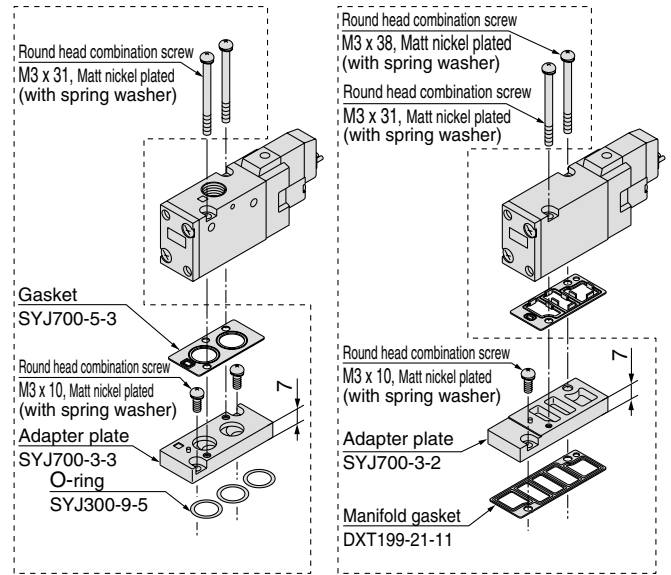
- Use of an adapter plate makes it possible to mount Series SYJ700 on the manifold bases of series SYJ7000.
- When mounting the SYJ700 valve on the SYJ7000 manifold, the SYJ700 solenoid must be positioned on the same side of the manifold as a single solenoid SYJ700. (Refer to the figure below.)
- For base mounted style, the A port of the 3 port valve flows out the B port of manifold base.

Adapter Plate Assembly SYJ700-3-1A

SYJ700 Series
Body ported

Adapter Plate Assembly SYJ700-3-2A

SYJ700 Series
Base mounted



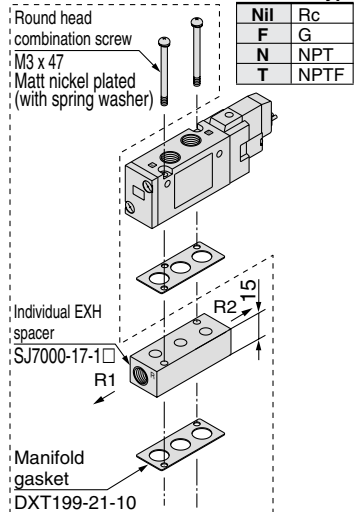
Applicable manifold base
Type SS5YJ7-20
Type SS5YJ7-21

Applicable manifold base
Type SS5YJ7-40
Type SS5YJ7-41
Type SS5YJ7-42

Individual EXH Spacer Assembly

SYJ7000-17-1 □ A

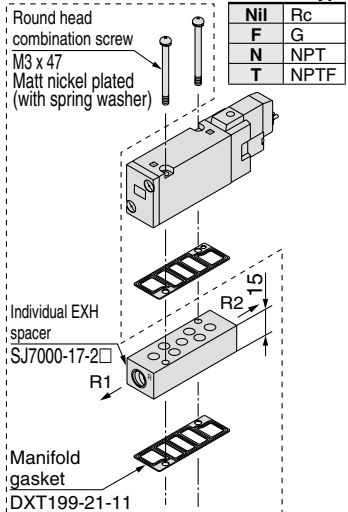
• Thread type



Applicable manifold base
Type SS5YJ7-20
Type SS5YJ7-21

SYJ7000-17-2 □ A

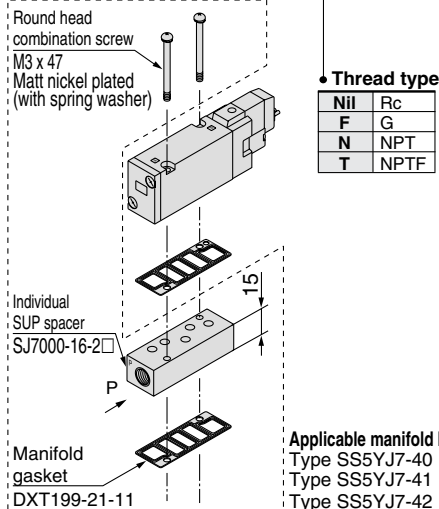
• Thread type



Applicable manifold base
Type SS5YJ7-40
Type SS5YJ7-41
Type SS5YJ7-42

Individual SUP Spacer Assembly

SYJ7000-16-2 □ A



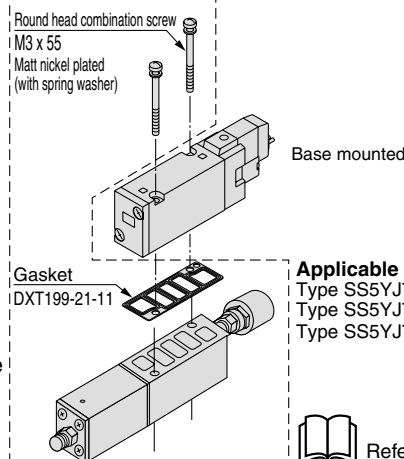
• Thread type	
Nil	Rc
F	G
N	NPT
T	NPTF

Applicable manifold base
Type SS5YJ7-40
Type SS5YJ7-41
Type SS5YJ7-42

Interface Regulator (P port regulation)

Spacer type regulating valve on manifold block can regulate the pressure to the valve individually.

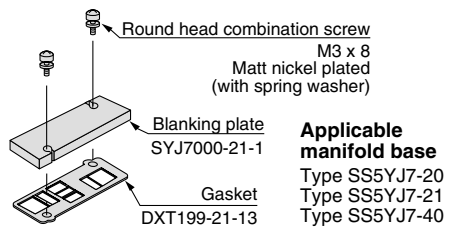
ARBYJ7000-00-P



Applicable manifold base
Type SS5YJ7-40
Type SS5YJ7-41
Type SS5YJ7-42

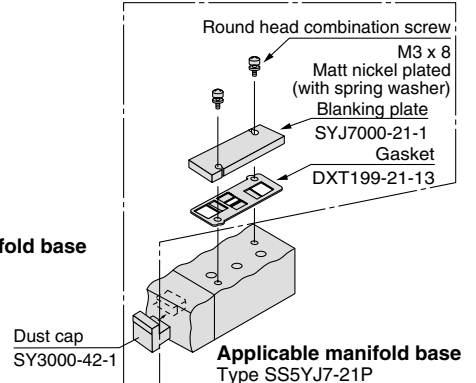
L Blanking Plate Assembly

SYJ7000-21-1A



Applicable manifold base
Type SS5YJ7-20
Type SS5YJ7-21
Type SS5YJ7-40
Type SS5YJ7-41
Type SS5YJ7-42

SYJ7000-21-3A



Applicable manifold base
Type SS5YJ7-21P

⚠ Caution

Mounting screw tightening torques

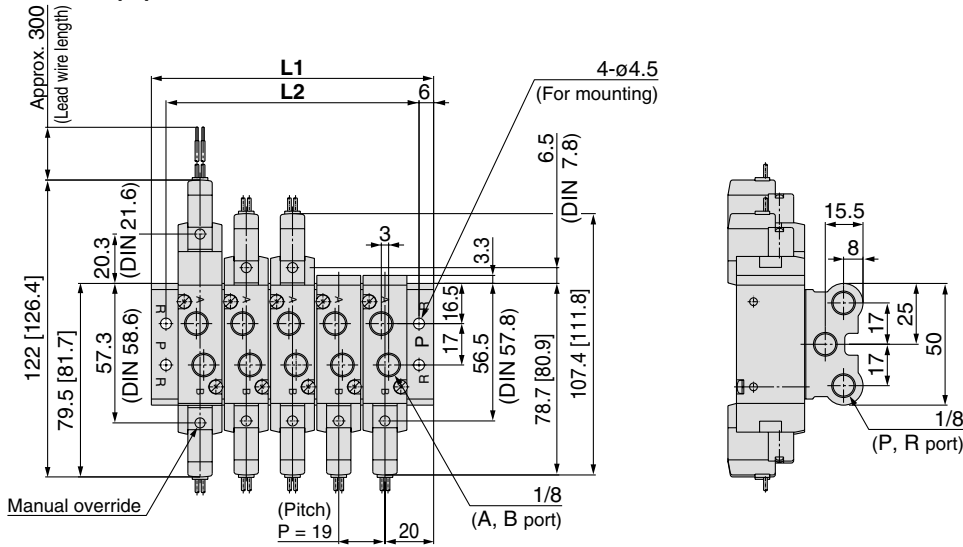
M3: 0.8 N·m

Use caution to the assembly orientation for solenoid valves, gasket, and optional parts.

Type 20: Top Ported/SS5YJ7-20- Stations -00□

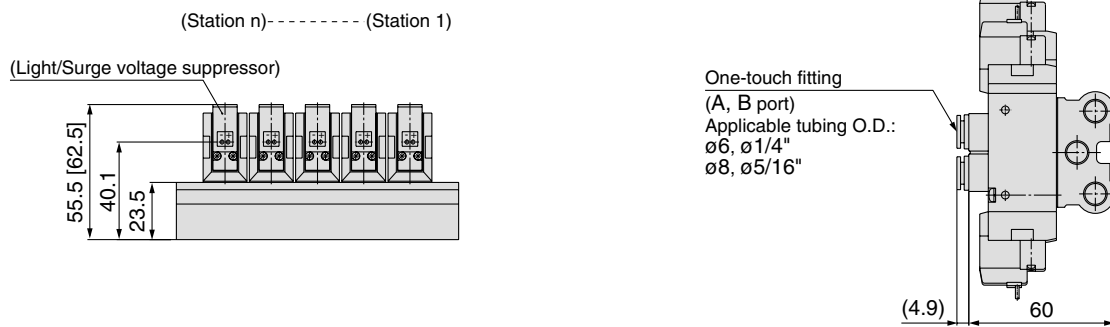


Grommet (G)



- SV
- SZ
- SY
- SYJ**
- SX

Built-in One-touch fitting

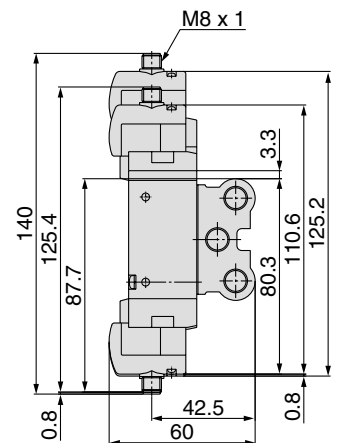
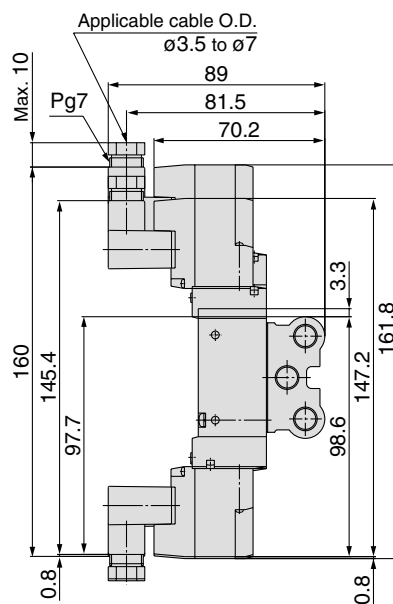
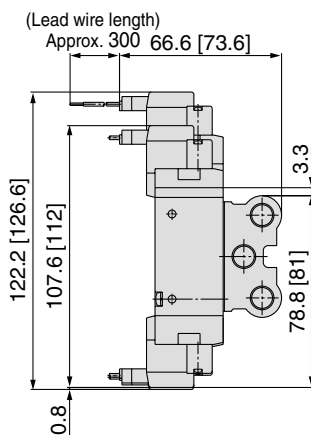
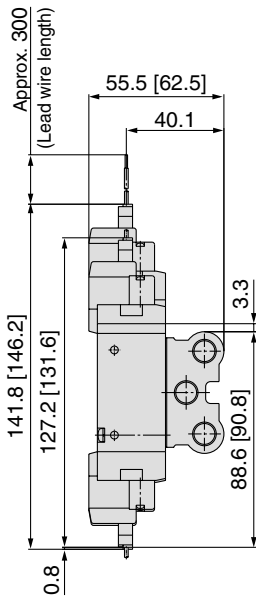


L plug connector (L)

M plug connector (M)

DIN terminal (D)

M8 connector (WO)



Refer to page 1-5-79 for dimensions with connector cable.

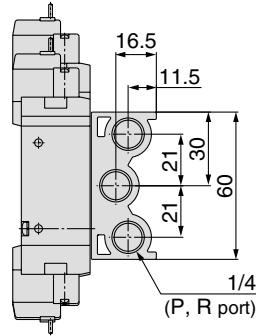
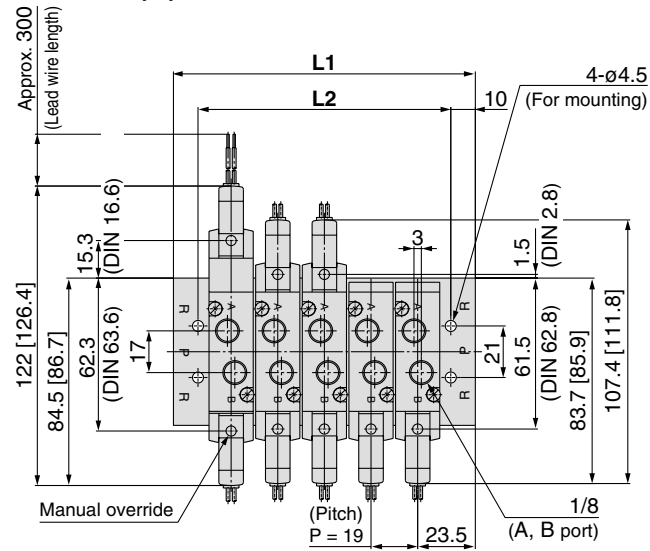
Station n	Station 2	3	4	5	6	7	8	9	10	11	12	13	14	Station 15
L1	59	78	97	116	135	154	173	192	211	230	249	268	287	306
L2	47	66	85	104	123	142	161	180	199	218	237	256	275	294

Series SYJ7000

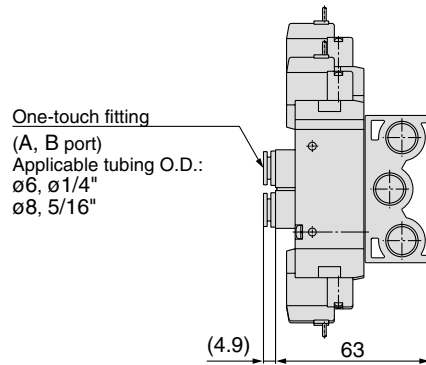
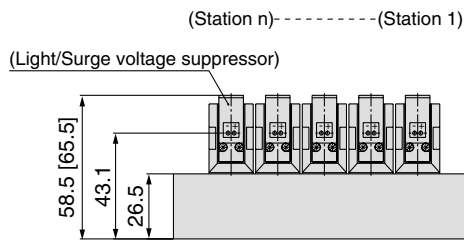
Type 21: Top Ported/SS5YJ7-21- Stations (-00□)



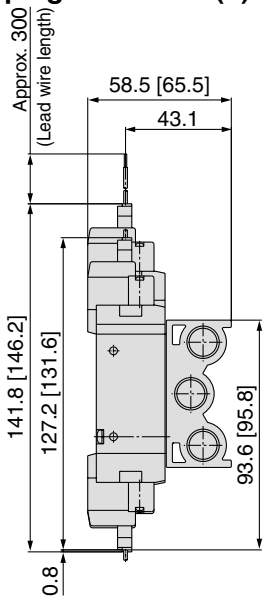
Grommet (G)



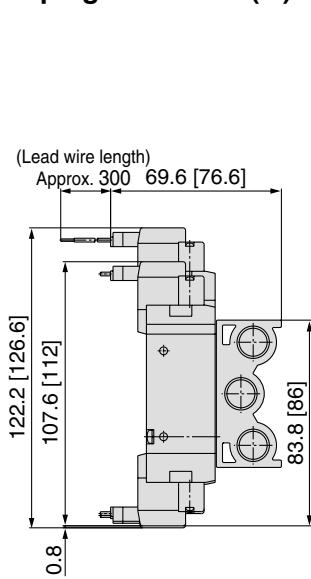
Built-in One-touch fitting



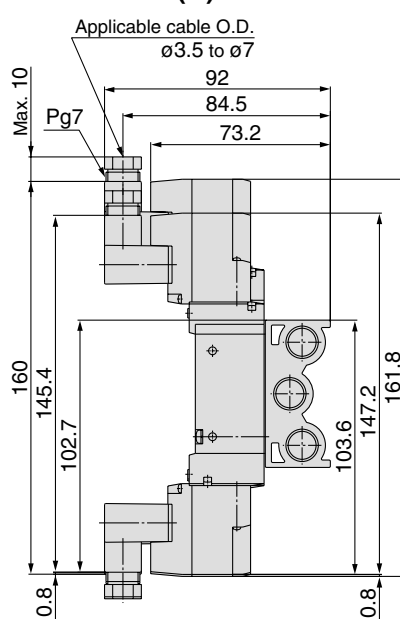
L plug connector (L)



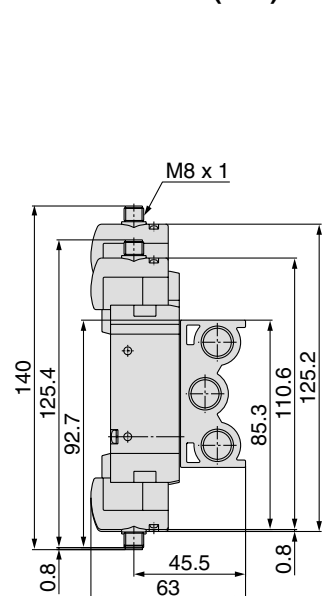
M plug connector (M)



DIN terminal (D)



M8 connector (WO)



Refer to page 1-5-79 for dimensions with connector cable.

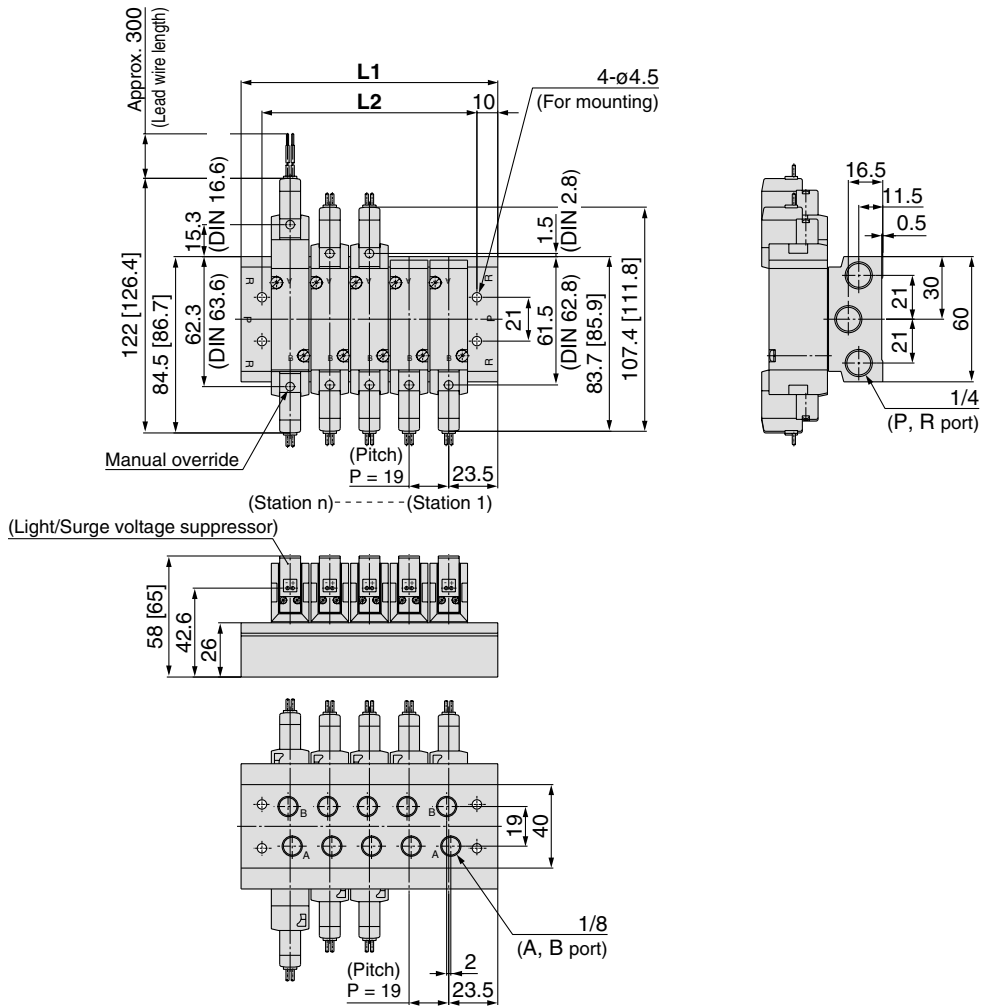
Station n	Station 2	3	4	5	6	7	8	9	10	11	12	13	14	15	16	17	18	19	Station 20
L1	66	85	104	123	142	161	180	199	218	237	256	275	294	313	332	351	370	389	408
L2	46	65	84	103	122	141	160	179	198	217	236	255	274	293	312	331	350	369	388

5 Port Solenoid Valve Rubber Seal Series SYJ7000

Type 40: Bottom Ported/SS5YJ7-40- Stations -01□



Grommet (G)



SV

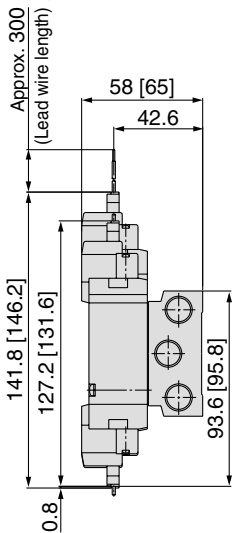
SZ

SY

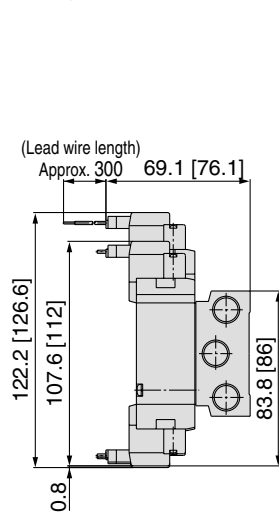
SYJ

SX

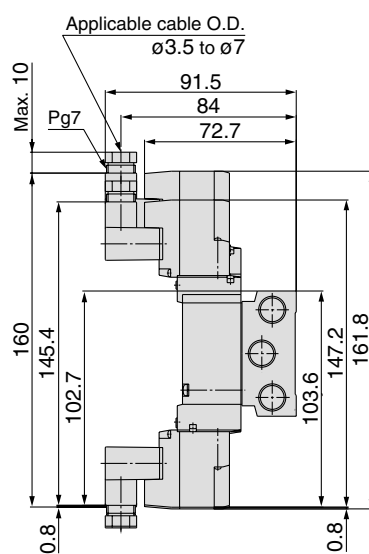
L plug connector (L)



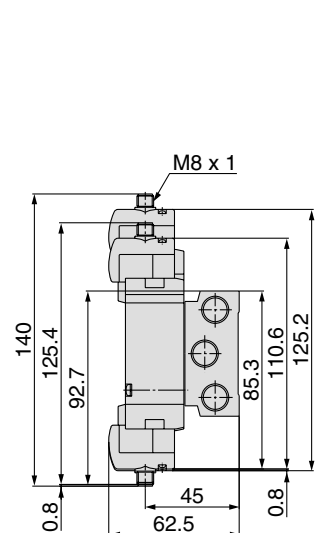
M plug connector (M)



DIN terminal (D)



M8 connector (WO)



Refer to page 1-5-79 for dimensions with connector cable.

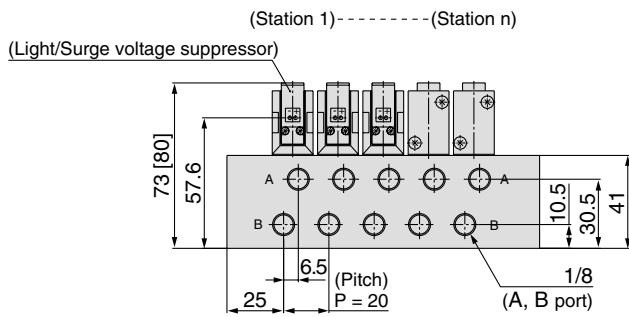
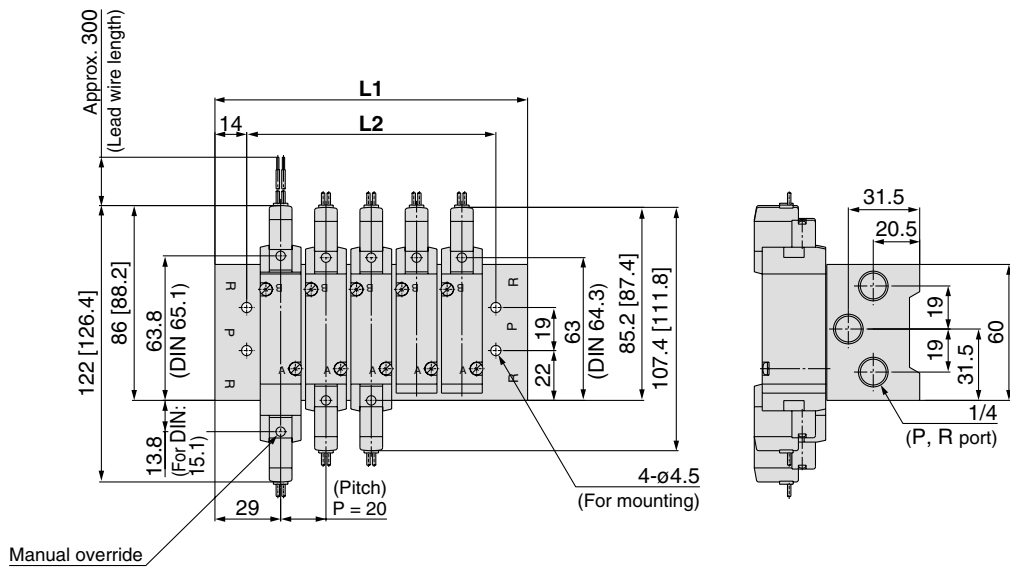
Station n	Station 2	3	4	5	6	7	8	9	10	11	12	13	14	15	16	17	18	19	Station 20
L1	66	85	104	123	142	161	180	199	218	237	256	275	294	313	332	351	370	389	408
L2	46	65	84	103	122	141	160	179	198	217	236	255	274	293	312	331	350	369	388

Series SYJ7000

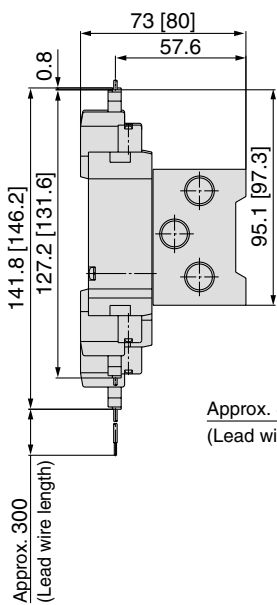
Type 41: Side Ported/SS5YJ7-41- Stations -01 □



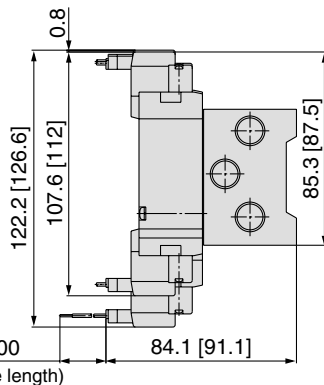
Grommet (G)



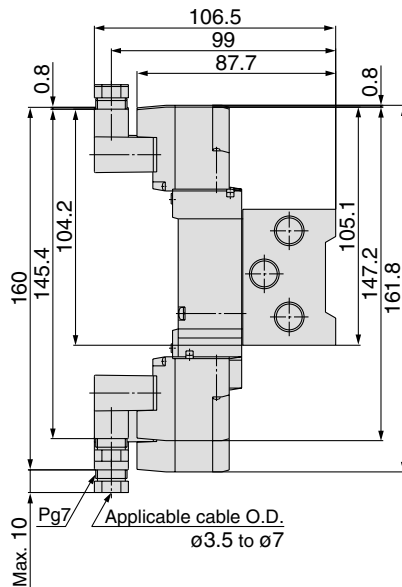
L plug connector (L)



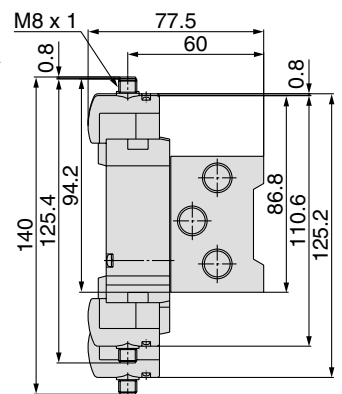
M plug connector (M)



DIN terminal (D)



M8 connector (WO)



Refer to page 1-5-79 for dimensions with connector cable.

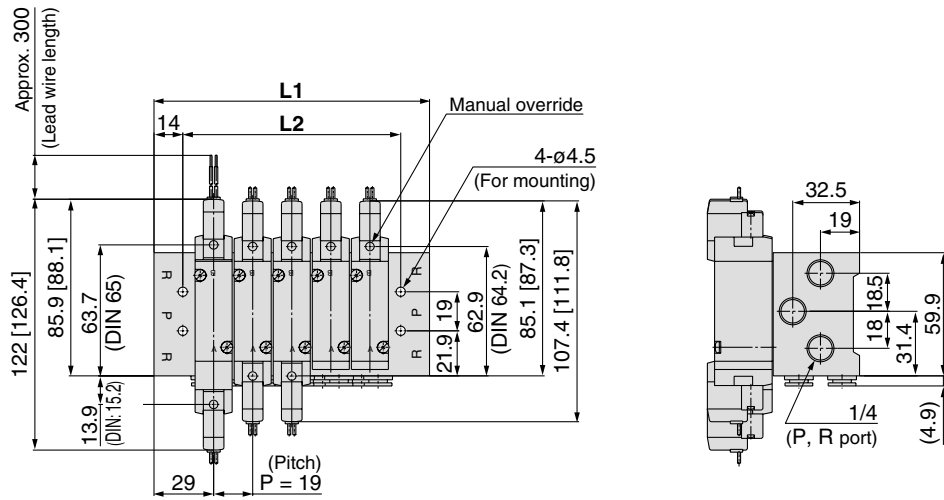
Station n	Station 2	3	4	5	6	7	8	9	10	11	12	13	14	15	16	17	18	19	Station 20
L1	78	98	118	138	158	178	198	218	238	258	278	298	318	338	358	378	398	418	438
L2	50	70	90	110	130	150	170	190	210	230	250	270	290	310	330	350	370	390	410

5 Port Solenoid Valve Rubber Seal Series SYJ7000

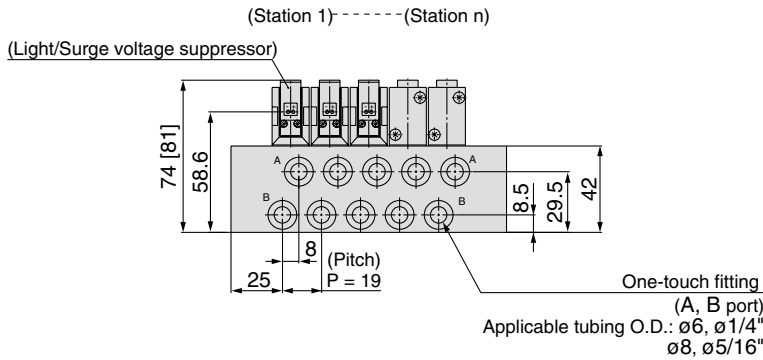
Type 42: Side Ported/SS5YJ7-42- Stations C6,N7
 C8,N9



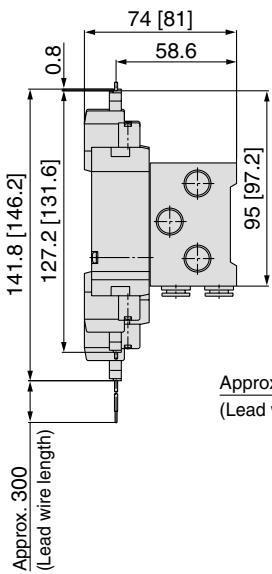
Grommet (G)



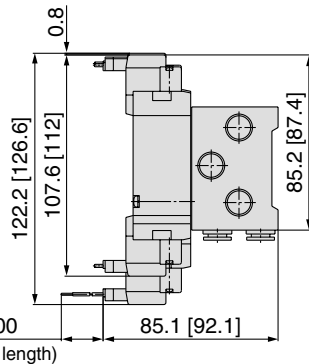
- SV
- SZ
- SY
- SYJ**
- SX



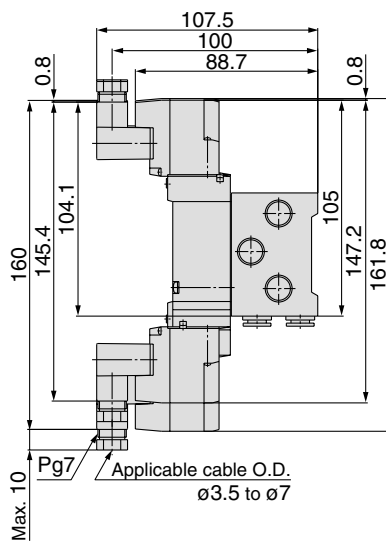
L plug connector (L)



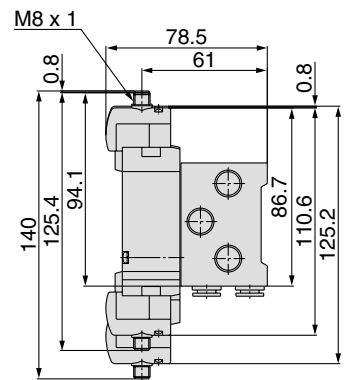
M plug connector (M)



DIN terminal (D)



M8 connector (WO)



Refer to page 1-5-79 for dimensions with connector cable.

Station n	Station 2	3	4	5	6	7	8	9	10	11	12	13	14	15	16	17	18	19	Station 20
L1	77	96	115	134	153	172	191	210	229	248	267	286	305	324	343	362	381	400	419
L2	49	68	87	106	125	144	163	182	201	220	239	258	277	296	315	334	353	372	391