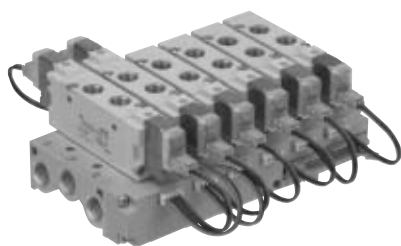


Series SYJ7000

Flat Ribbon Cable Manifold

- Multiple valve wiring is simplified through the use of the flat cable connector.
- Clean appearance

In the case of a flat ribbon cable type, each valve is wired on the print board of manifold base to allow the external wiring to be piped all together with 26 pins MIL connector.



Flat Ribbon Cable Manifold Specifications

| Model | | Type 21P |
|--|-----------|---|
| Manifold type | | Single base/B mount |
| P (SUP), R (EXH) | | Common SUP, Common EXH |
| Valve stations | | 3 to 12 stations |
| A, B port location | | Valve |
| Port size | P, R port | 1/4 |
| | A, B port | 1/8, C6, C8 |
| Applicable flat ribbon cable connector | | Socket: 26 pins MIL type with strain relief (MIL-C-83503) |
| Internal wiring | | In common between +COM and -COM (Z type: +COM only). |
| Rated voltage | | 24, 12 VDC |

Note 1) The value is for manifold base and individually operated 2 position type.
 Note 2) The withstand voltage specification for the wiring unit section is JIS C 0704, Grade 1 or its equivalent.

Flow Characteristics

| Manifold | Port size | | Flow characteristics | | | | | | | |
|--------------------------------|-------------------|-----------------|------------------------------|-----|-----|------------------------------|------|-----|------|------|
| | | | 1→4/2 (P→A/B) | | | 4/2→5/3 (A/B→R) | | | | |
| | 1(P), 5/3(R) Port | 2(B), 4(A) Port | C [dm ³ /(s·bar)] | b | Cv | C [dm ³ /(s·bar)] | b | Cv | | |
| Body ported for internal pilot | SS5YJ7-21P-01 | SYJ7□23 | 1/4 | 1/8 | 2.1 | 0.36 | 0.55 | 2.3 | 0.26 | 0.54 |
| | SS5YJ7-21P-C6 | SYJ7□23 | 1/4 | C6 | 1.4 | 0.32 | 0.36 | 2.1 | 0.24 | 0.50 |
| | SS5YJ7-21P-C8 | SYJ7□23 | 1/4 | C8 | 1.8 | 0.37 | 0.50 | 2.1 | 0.20 | 0.50 |

Note) Value at manifold base mounted, 2 position single operating

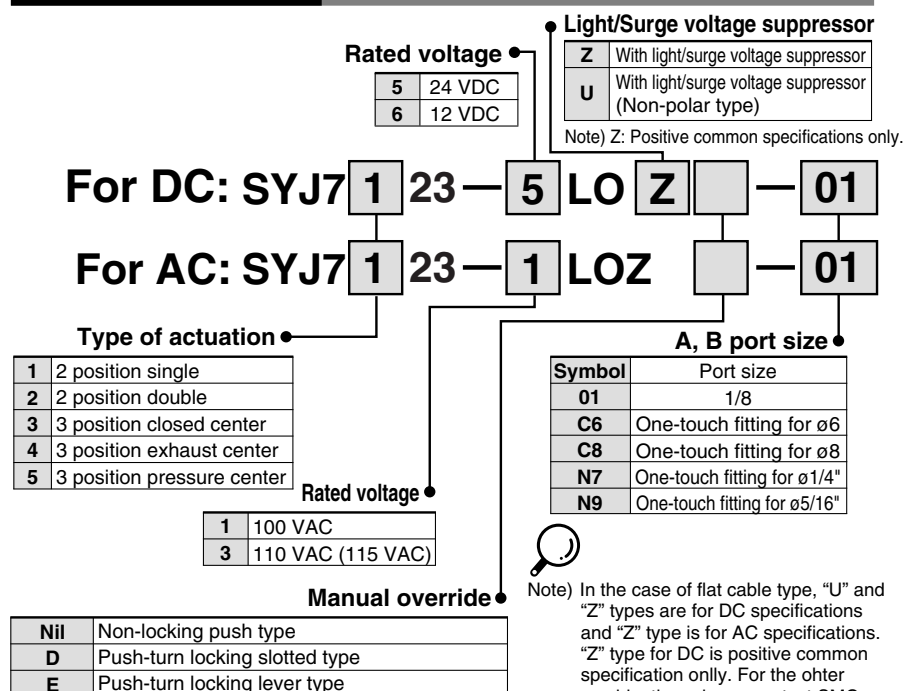
How to Order Manifold (Example)

Instruct by specifying the valves, blanking plate assembly and connector assembly to be mounted on the manifold along with the manifold base model no.

Example: **SS5YJ7-21P-07** 1 pc. (Manifold base)
 * **SYJ7123-5LOU-C8** 3 pcs. (Valve)
 * **SYJ7223-5LOU-C8** 3 pcs. (Valve)
 * **SYJ7000-21-3A** 1 pc. (Blanking plate assembly)
 * **SY3000-37-3A** 3 pcs. (Connector assembly)
 * **SY3000-37-4A** 3 pcs. (Connector assembly)
 ↳ The asterisk denotes the symbol for assembly. Prefix it to the part nos. of the solenoid valve, etc.

* Use manifold specification sheet.

How to Order Valves



How to Order Connector Assembly

12, 24 VDC

| | |
|---|--------------|
| Single solenoid | SY3000-37-3A |
| Double solenoid, 3 position type | SY3000-37-4A |
| Single solenoid, individual SUP, EXH spacer | SY3000-37-3A |
| Double solenoid, 3 position individual SUP/EXH spacer | SY3000-37-6A |
| Interface regulator for single solenoid | SY3000-37-3A |
| Double solenoid, 3 position interface regulator | SY3000-37-6A |
| 3 port adaptor plate | SY3000-37-3A |

100 VAC

| | |
|---|---------------|
| Single solenoid | SY3000-37-32A |
| Double solenoid, 3 position type | SY3000-37-33A |
| Single solenoid, individual SUP, EXH spacer | SY3000-37-15A |
| Double solenoid, 3 position individual SUP/EXH spacer | SY3000-37-34A |
| Interface regulator for single solenoid | SY3000-37-15A |
| Double solenoid, 3 position interface regulator | SY3000-37-34A |
| 3 port adaptor plate | SY3000-37-32A |

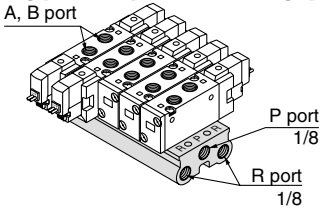
100 VAC (115 VAC)

| | |
|---|---------------|
| Single solenoid | SY3000-37-35A |
| Double solenoid, 3 position type | SY3000-37-36A |
| Single solenoid, individual SUP, EXH spacer | SY3000-37-19A |
| Double solenoid, 3 position individual SUP/EXH spacer | SY3000-37-37A |
| Interface regulator for single solenoid | SY3000-37-19A |
| Double solenoid, 3 position interface regulator | SY3000-37-37A |
| 3 port adaptor plate | SY3000-37-35A |

5 Port Solenoid Valve Rubber Seal Series SYJ7000

Manifold Standard/ Common SUP/Common EXH

Type 20 (5 Port/Body ported)



How to Order

SS5YJ7-20-05

| Stations | |
|----------|-------------|
| 02 | 2 stations |
| : | : |
| 15 | 15 stations |

P, R port
thread type

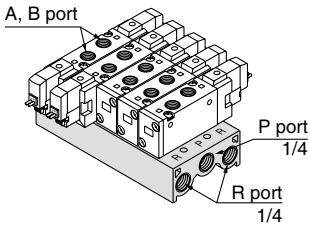
| | |
|-----|------|
| Nil | Rc |
| 00F | G |
| 00N | NPT |
| 00T | NPTF |

Applicable solenoid valve

SYJ□20-□□□□-01
C6
C8
SYJ□23-□□□□-01
C6
C8

Note) For more than 6 stations, supply air to both sides of P port and exhaust air from both sides of R port.

Type 21 (5 Port/Body ported)



How to Order

SS5YJ7-21-05

| Stations | |
|----------|-------------|
| 02 | 2 stations |
| : | : |
| 20 | 20 stations |

P, R port
thread type

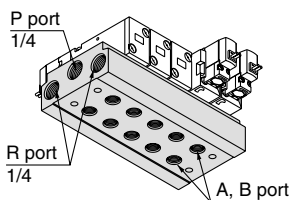
| | |
|-----|------|
| Nil | Rc |
| 00F | G |
| 00N | NPT |
| 00T | NPTF |

Applicable blanking
plate assembly
SYJ7000-21-1A

Applicable individual
EXH spacer assembly
SYJ7000-17-1A

Note) For more than 20 stations, supply air to both sides of P port and exhaust air from both sides of R port.

Type 40 (5 Port/Base mounted)



How to Order

SS5YJ7-40-05-01

| Stations | |
|----------|-------------|
| 02 | 2 stations |
| : | : |
| 20 | 20 stations |

A, B port size

| | |
|----|-----|
| 01 | 1/8 |
|----|-----|

Thread type

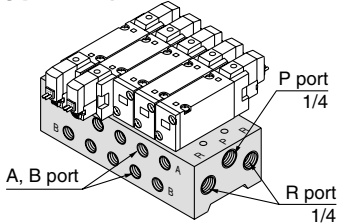
| | |
|-----|------|
| Nil | Rc |
| F | G |
| N | NPT |
| T | NPTF |

Applicable solenoid valve

SYJ□40-□□□□
SYJ□43-□□□□

Note) For more than 10 stations, supply air to both sides of P port and exhaust air from both sides of R port.

Type 41 (5 Port/Base mounted)



How to Order

SS5YJ7-41-05-01

| Stations | |
|----------|-------------|
| 02 | 2 stations |
| : | : |
| 20 | 20 stations |

A, B port size

| | |
|----|-----|
| 01 | 1/8 |
|----|-----|

Thread type

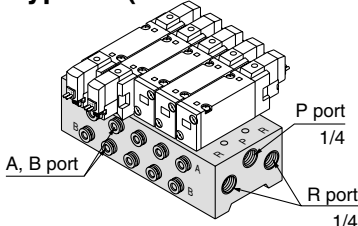
| | |
|-----|------|
| Nil | Rc |
| F | G |
| N | NPT |
| T | NPTF |

Applicable blanking
plate assembly
SYJ7000-21-1A

Applicable individual
EXH spacer assembly
SYJ7000-17-2A

Note) For more than 8 stations, supply air to both sides of P port and exhaust air from both sides of R port.

Type 42 (5 Port/Base mounted)



How to Order

SS5YJ7-42-05-C6

| Stations | |
|----------|-------------|
| 02 | 2 stations |
| : | : |
| 20 | 20 stations |

A, B port size

| | |
|----|------------------------------|
| C6 | One-touch fitting for ø6 |
| C8 | One-touch fitting for ø8 |
| N7 | One-touch fitting for ø1/4" |
| N9 | One-touch fitting for ø5/16" |

Thread type

| | |
|-----|------|
| Nil | Rc |
| F | G |
| N | NPT |
| T | NPTF |

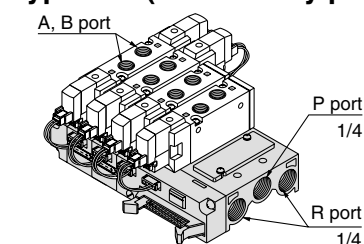
Applicable interface
regulator

ARBYJ7000-00-P

Note) For more than 20 stations, supply air to both sides of P port and exhaust air from both sides of R port.

Flat Ribbon Cable Manifold/ Common SUP/Common EXH

Type 21P (5 Port/Body ported)



How to Order

SS5YJ7-21P-05

| Stations | |
|----------|-------------|
| 03 | 3 stations |
| : | : |
| 12 | 12 stations |

P, R port
thread type

| | |
|-----|------|
| Nil | Rc |
| F | G |
| N | NPT |
| T | NPTF |

Applicable solenoid valve
Refer to page 1-5-62.

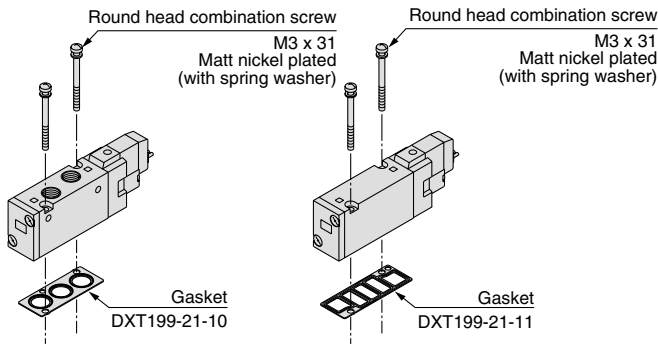
Applicable blanking
plate assembly
SYJ7000-21-3A

Applicable connector
assembly
Refer to page 1-5-62.

Note) For more than 10 stations, supply air to both sides of P port and exhaust air from both sides of R port.

Series SYJ7000

Combinations of Solenoid Valve, Manifold Gasket and Manifold Base



Applicable manifold base
Type SS5YJ7-20
Type SS5YJ7-21

Applicable manifold base Sub-plate
Type SS5YJ7-40
Type SS5YJ7-41
Type SS5YJ7-42

Mix Installation of SYJ700 and SYJ7000 Valves on the Same Manifold

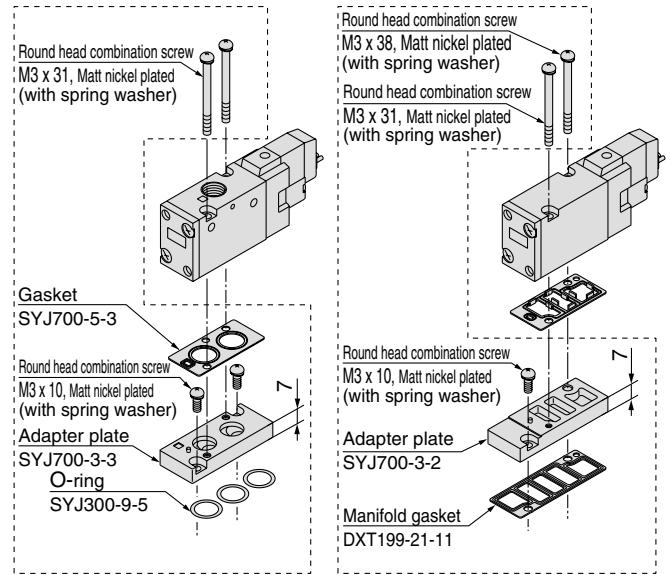
- Use of an adapter plate makes it possible to mount Series SYJ700 on the manifold bases of series SYJ7000.
- When mounting the SYJ700 valve on the SYJ7000 manifold, the SYJ700 solenoid must be positioned on the same side of the manifold as a single solenoid SYJ700. (Refer to the figure below.)
- For base mounted style, the A port of the 3 port valve flows out the B port of manifold base.

Adapter Plate Assembly SYJ700-3-1A

SYJ700 Series
Body ported

Adapter Plate Assembly SYJ700-3-2A

SYJ700 Series
Base mounted



Applicable manifold base
Type SS5YJ7-20
Type SS5YJ7-21

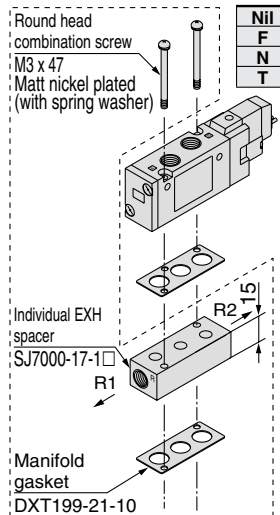
Applicable manifold base
Type SS5YJ7-40
Type SS5YJ7-41
Type SS5YJ7-42

Individual EXH Spacer Assembly

SYJ7000-17-1 □ A

• Thread type

| Nil | Rc |
|-----|------|
| F | G |
| N | NPT |
| T | NPTF |

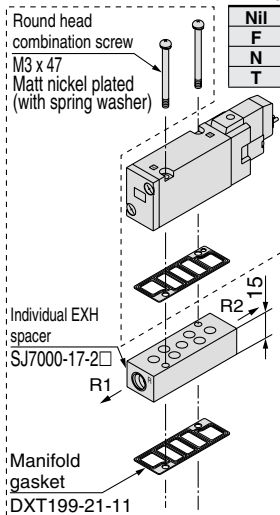


Applicable manifold base
Type SS5YJ7-20
Type SS5YJ7-21

SYJ7000-17-2 □ A

• Thread type

| Nil | Rc |
|-----|------|
| F | G |
| N | NPT |
| T | NPTF |



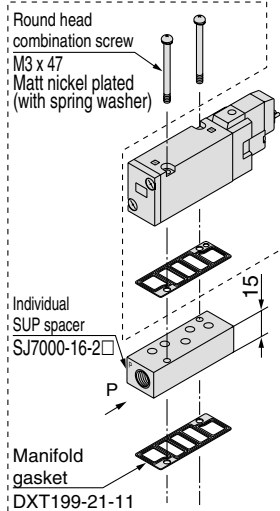
Applicable manifold base
Type SS5YJ7-40
Type SS5YJ7-41
Type SS5YJ7-42

Individual SUP Spacer Assembly

SYJ7000-16-2 □ A

• Thread type

| Nil | Rc |
|-----|------|
| F | G |
| N | NPT |
| T | NPTF |

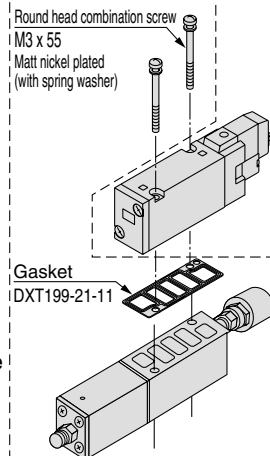


Applicable manifold base
Type SS5YJ7-40
Type SS5YJ7-41
Type SS5YJ7-42

Interface Regulator (P port regulation)

Spacer type regulating valve on manifold block can regulate the pressure to the valve individually.

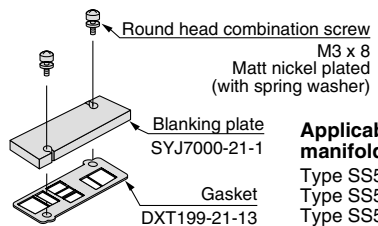
ARBYJ7000-00-P



Applicable manifold base
Type SS5YJ7-40
Type SS5YJ7-41
Type SS5YJ7-42

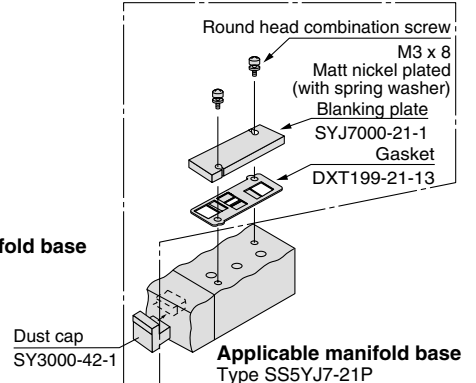
L Blanking Plate Assembly

SYJ7000-21-1A



Applicable manifold base
Type SS5YJ7-20
Type SS5YJ7-21
Type SS5YJ7-40
Type SS5YJ7-41
Type SS5YJ7-42

SYJ7000-21-3A



Applicable manifold base
Type SS5YJ7-21P

Caution

Mounting screw tightening torques

M3: 0.8 N·m

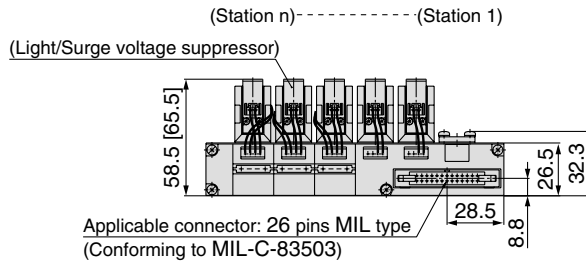
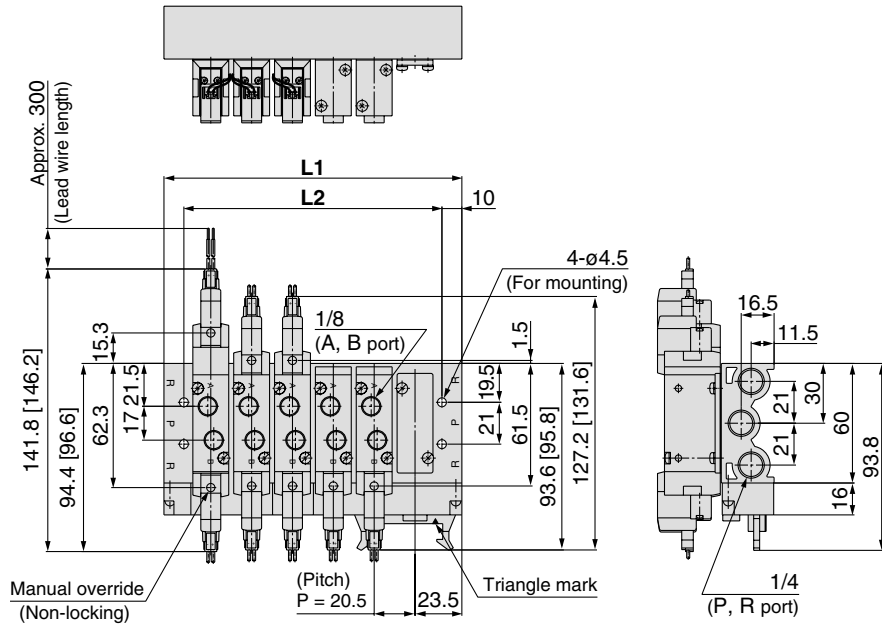
Use caution to the assembly orientation for solenoid valves, gasket, and optional parts.

Series SYJ7000

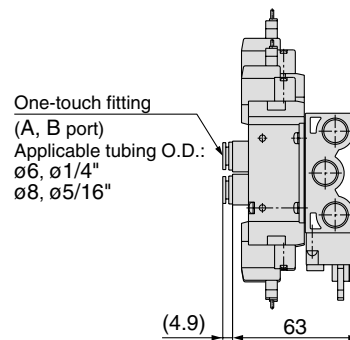
Flat Ribbon Cable Manifold



SS5YJ7-21P- Stations (-00□)



Built-in One-touch fitting



| Station n | Station 3 | 4 | 5 | 6 | 7 | 8 | 9 | 10 | 11 | Station 12 |
|-----------|-----------|-------|-----|-------|-----|-------|-----|-------|-----|------------|
| L1 | 88 | 108.5 | 129 | 149.5 | 170 | 190.5 | 211 | 231.5 | 252 | 272.5 |
| L2 | 68 | 88.5 | 109 | 129.5 | 150 | 170.5 | 191 | 211.5 | 232 | 252.5 |