

Series SX3000/5000/7000 Body Ported Valve Single Unit

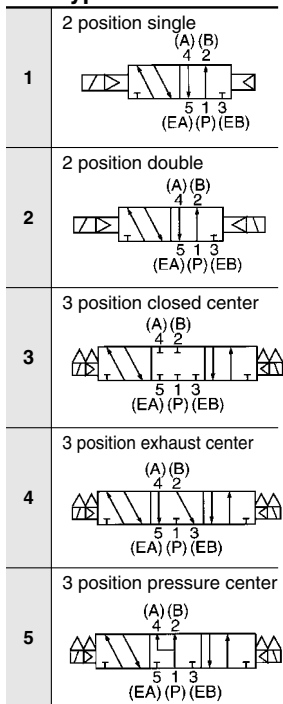
How to Order

SX 5 1 20 — 5 N L — — — 01 — —

Series

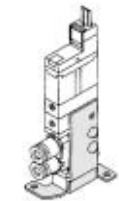
3	SX3000
5	SX5000
7	SX7000

Type of actuation

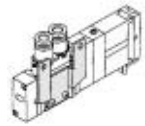


Bracket

Nil: Without bracket
F1: With foot bracket



F2: With side bracket



Manual override

Nil: Non-locking push type



D: Push-turn locking slotted type



Thread type

Nil	Rc
F	G
N	NPT
T	NPTF

A, B port size Thread piping

Symbol	Port size	Applicable series
M5	M5 x 0.8	SX3000
01	1/8	SX5000
02	1/4	SX7000

One-touch fitting (Metric size)

Symbol	Port size	Applicable series
C4	One-touch fittings for ø4	SX3000
C6	One-touch fittings for ø6	
C4	One-touch fittings for ø4	SX5000
C6	One-touch fittings for ø6	
C8	One-touch fittings for ø8	SX7000
C8	One-touch fittings for ø8	
C10	One-touch fitting for ø10	

One-touch fitting (Inch size)

Symbol	Port size	Applicable series
N3	One-touch fitting for ø5/32"	SX3000
N7	One-touch fitting for ø1/4"	
N3	One-touch fitting for ø5/32"	SX5000
N7	One-touch fitting for ø1/4"	
N9	One-touch fitting for ø5/16"	SX7000
N9	One-touch fitting for ø5/16"	
N11	One-touch fitting for ø3/8"	

Rated voltage

5	24 VDC
6	12 VDC
V	6 VDC
S	5 VDC
R	3 VDC

Light/Surge voltage suppressor

Nil	Without light/surge voltage suppressor
S	With surge voltage suppressor
Z	With light/surge voltage suppressor

Electrical entry

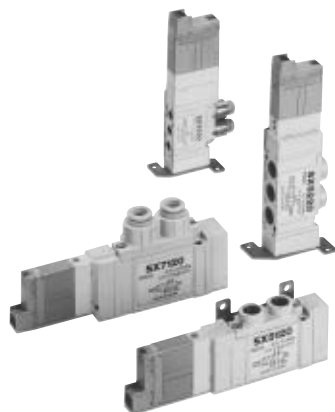
Grommet		L plug connector		M plug connector	
G: Lead wire length 300 mm		L: With lead wire (Length 300 mm)		M: With lead wire (Length 300 mm)	MN: Without lead wire
H: Lead wire length 600 mm		LN: Without lead wire		LO: Without connector	MO: Without connector

* The LN or MN option includes 2 sockets for single solenoid valves and 3 sockets for double solenoid valves.

Common specifications


Nil	Positive common
N	Negative common

Note) Put nothing for single grommet style and single without indicator light and surge voltage suppressor.



Specifications

Series		SX3000	SX5000	SX7000
Fluid		Air		
Internal pilot	2 position single	0.15 to 0.7		
Operating pressure range (MPa)	2 position double	0.1 to 0.7		
	3 position	0.2 to 0.7		
Ambient and fluid temperature (°C)		Max. 50		
Max. operating frequency (Hz)	2 position single, double	10	5	5
	3 position	3	3	3
Manual override		Non-locking push type, Push-turn locking slotted type		
Pilot exhaust method		Common exhaust type for main and pilot valve		
Lubrication		Not required		
Mounting orientation		Unrestricted		
Impact/Vibration resistance (m/s ²) ^{Note}		150/30		
Enclosure		Dusttight		

 Note) Impact resistance: No malfunction occurred when it is tested with a drop tester in the axial direction and at the right angles to the main valve and armature in both energized and de-energized states every once for each condition. (Values at the initial period)

Vibration resistance: No malfunction occurred in a one-sweep test between 45 and 2000 Hz. Test was performed at both energized and de-energized states in the axial direction and at the right angles to the main valve and armature. (Values at the initial period)

SV

SZ

SY

SYJ

SX




Made to Order Specifications
(For details, refer to pages 1-6-124 to 1-6-138.)

Solenoid Specifications

Electrical entry	Grommet (G)/(H), L plug connector (L), M plug connector (M)	
Coil rated voltage (V)	DC	24, 12, 6, 5, 3
Allowable voltage fluctuation	±10% of rated voltage	
Power consumption (W)	DC	0.6 (With indicator light: 0.65)
Surge voltage suppressor	Diode	
Indicator light	LED	

Response Time

 Note) Based on dynamic performance test, JIS B 8375-1981. (Coil temperature: 20°C, at rated voltage)

SX3000

Type of actuation	Response time (ms) (at the pressure of 0.5 MPa)	
	Without light/surge voltage suppressor	With light/surge voltage suppressor
2 position single	12 or less	15 or less
2 position double	10 or less	13 or less
3 position	15 or less	20 or less

SX5000

Type of actuation	Response time (ms) (at the pressure of 0.5 MPa)	
	Without light/surge voltage suppressor	With light/surge voltage suppressor
2 position single	19 or less	26 or less
2 position double	18 or less	22 or less
3 position	32 or less	38 or less

SX7000


Type of actuation	Response time (ms) (at the pressure of 0.5 MPa)	
	Without light/surge voltage suppressor	With light/surge voltage suppressor
2 position single	31 or less	38 or less
2 position double	27 or less	30 or less
3 position	50 or less	56 or less

Series SX3000/5000/7000

Flow Characteristics/Weight


Model/Series SX3000

Valve model	Type of actuation		Port size		Flow characteristics						Weight (g)			
					1 → 4/2 (P → A/B)			4/2 → 5/3 (A/B → EA/EB)						
					1, 5, 3 (P, EA, EB)	4, 2 (A, B)	C [dm ³ /(s·bar)]	b	Cv	C [dm ³ /(s·bar)]	b	Cv	Grommet	L plug connector M plug connector
SX3□20-□-M5	2 position	Single	M5 x 0.8	C4 (One-touch fitting for ø4)	0.61	0.44	0.16	0.64	0.45	0.18	62	63		
		Double			0.48	0.46	0.13	0.47	0.43	0.13	70	72		
	3 position	Closed center			0.47	0.42	0.13	0.47 [0.44]	0.41 [0.37]	0.13 [0.12]	73	74		
		Exhaust center			0.50 [0.41]	0.48 [0.35]	0.15 [0.11]	0.47	0.43	0.13				
SX3□20-□-C4	2 position	Single			M5 x 0.8	C4 (One-touch fitting for ø4)	0.72	0.29	0.18	0.64	0.34	0.17	72	73
		Double					0.59	0.28	0.15	0.59	0.30	0.15	80	81
	3 position	Closed center					0.63	0.35	0.16	0.42 [0.41]	0.34 [0.37]	0.11 [0.11]	82	84
		Exhaust center					0.76 [0.46]	0.42 [0.34]	0.21 [0.12]	0.59	0.29	0.15		
SX3□20-□-C6	2 position	Single	M5 x 0.8	C4 (One-touch fitting for ø6)			0.76	0.30	0.19	0.65	0.39	0.17	68	69
		Double					0.76	0.55	0.24	0.60	0.33	0.16	76	77
	3 position	Closed center					0.65	0.32	0.16	0.64 [0.42]	0.31 [0.36]	0.17 [0.11]	78	80
		Exhaust center					0.77 [0.49]	0.34 [0.43]	0.21 [0.15]	0.61	0.34	0.16		

 Note) []: Denotes normal position.

Model/Series SX5000

Valve model	Type of actuation		Port size		Flow characteristics						Weight (g)			
					1 → 4/2 (P → A/B)			4/2 → 5/3 (A/B → EA/EB)						
					1, 5, 3 (P, EA, EB)	4, 2 (A, B)	C [dm ³ /(s·bar)]	b	Cv	C [dm ³ /(s·bar)]	b	Cv	Grommet	L plug connector M plug connector
SX5□20-□-Ø1	2 position	Single	Rc 1/8	C4 (One-touch fitting for ø4)	1.9	0.35	0.49	2.4	0.39	0.61	75	76		
		Double			1.7	0.43	0.45	1.8	0.35	0.46	83	84		
	3 position	Closed center			1.5	0.44	0.41	2.5 [1.5]	0.32 [0.43]	0.59 [0.40]	88	90		
		Exhaust center			2.2 [0.91]	0.46 [0.58]	0.61 [0.28]	1.8	0.38	0.46				
SX5□20-□-C4	2 position	Single			Rc 1/4	C4 (One-touch fitting for ø4)	0.75	0.43	0.20	0.85	0.64	0.30	83	84
		Double					0.74	0.40	0.19	0.84	0.57	0.28	91	92
	3 position	Closed center					0.75	0.36	0.19	0.84 [0.84]	0.64 [0.53]	0.30 [0.27]	96	97
		Exhaust center					0.78 [0.71]	0.44 [0.37]	0.21 [0.18]	0.84	0.57	0.27		
SX5□20-□-C6	2 position	Single	Rc 1/4	C6 (One-touch fitting for ø6)			1.5	0.33	0.33	2.0	0.37	0.52	78	79
		Double					1.3	0.31	0.33	1.6	0.32	0.39	86	87
	3 position	Closed center					1.3	0.33	0.33	1.8 [1.4]	0.35 [0.37]	0.44 [0.35]	91	92
		Exhaust center					1.7 [0.80]	0.31 [0.47]	0.42 [0.23]	1.7	0.33	0.44		
SX5□20-□-C8	2 position	Single			Rc 1/4	C8 (One-touch fitting for ø8)	1.9	0.21	0.45	2.3	0.29	0.57	79	80
		Double					1.6	0.29	0.39	1.7	0.38	0.46	87	88
	3 position	Closed center					1.4	0.38	0.39	2.0 [1.5]	0.37 [0.41]	0.52 [0.43]	92	93
		Exhaust center					2.2 [1.6]	0.32 [0.44]	0.56 [0.44]	1.8	0.41	0.50		

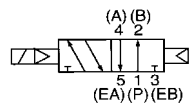
 Note) []: Denotes normal position.

Construction

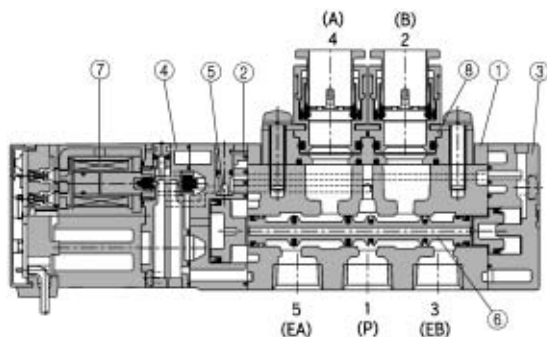
Series SX

JIS Symbol

2 position single

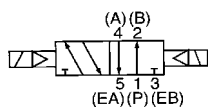


2 position single

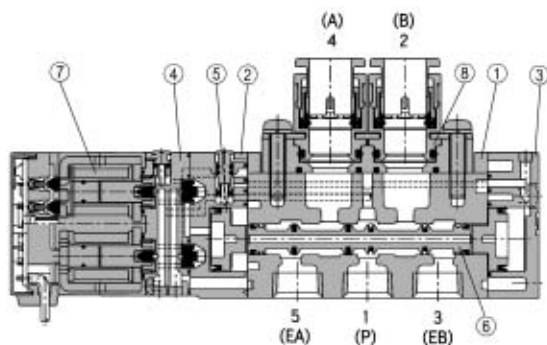


JIS Symbol

2 position double

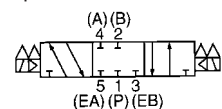


2 position double

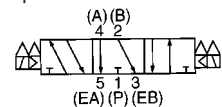


JIS Symbol

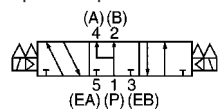
3 position closed center



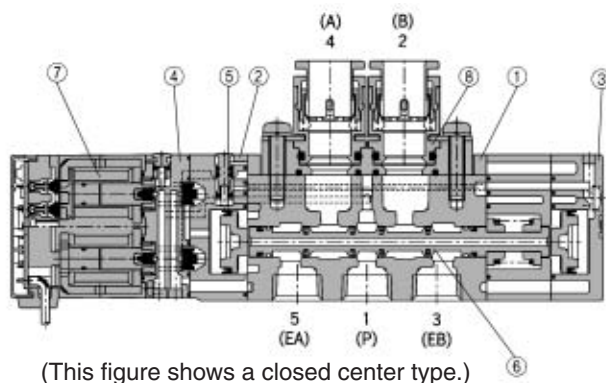
3 position exhaust center



3 position pressure center



3 position closed center/exhaust center/pressure center



Component Parts

No.	Description	Material	Note
①	Body	Aluminum die-casted (SX3000: Zinc die-casted)	White
②	Adapter plate	Resin	White
③	End plate	Resin	White
④	Pilot body	Resin	White
⑤	Piston	Resin	—
⑥	Spool valve assembly	Aluminum, HNBR	—
⑦	Molded coil	Resin	Gray

Replacement Parts

No.	Description	Part no.
⑧	Port block assembly	See "How to Order Port Block Assembly" on page 1-6-7.

How to Order Connector Assembly for L/M Plug Connector

Positive common specifications

For single solenoid: **SX100-40-4S**

For double solenoid,
3 position: **SX100-40-4D**

Negative common specifications

For single solenoid: **SX100-41-4S**

For double solenoid,
3 position: **SX100-41-4D**

Lead wire length

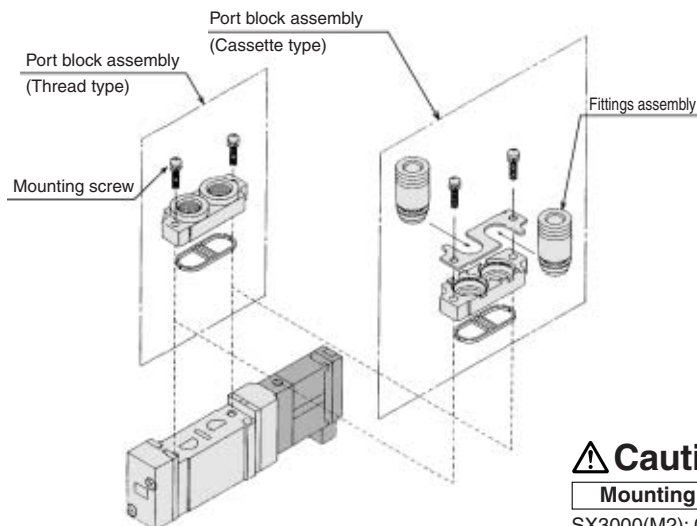
Nil	300 mm
6	600 mm
10	1000 mm
15	1500 mm
20	2000 mm
25	2500 mm
30	3000 mm
50	5000 mm

For detailed information on connector assembly, refer to page 1-6-8.

How to Change Port Block Assembly

The cylinder port block assembly can easily be changed. When changing block assembly, correct screw torque must be achieved. Cut off the air supply to confirm that no air is left in the manifold before starting operation. Remaining air or inappropriate installation may cause an accident.

● **For SX5000**



Caution

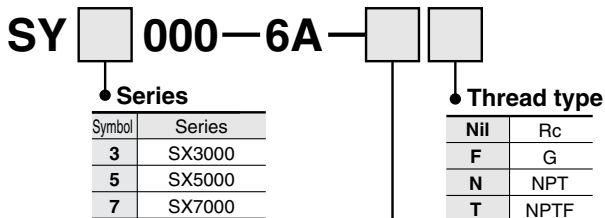
Mounting screw tightening torques
 SX3000(M2): 0.17 N·m SX⁵000(M3): 0.8 N·m



* Refer to "How to Order Port Block Assembly" below for parts no.

- SV
- SZ
- SY
- SYJ
- SX**

How to Order Port Block Assembly



A, B port size
Thread piping

Symbol	Port size	Applicable series
M5	M5 x 0.8	SX3000
01	1/8"	SX5000
02	1/4"	SX7000

One-touch fitting (Metric size)

Symbol	Port size	Applicable series
C4	One-touch fitting for ø4	SX3000
C6	One-touch fitting for ø6	
C4	One-touch fitting for ø4	SX5000
C6	One-touch fitting for ø6	
C8	One-touch fitting for ø8	SX7000
C8	One-touch fitting for ø8	
C10	One-touch fitting for ø10	

One-touch fitting (Inch size)

Symbol	Port size	Applicable series
N3	One-touch fitting for ø5/32"	SX3000
N7	One-touch fitting for ø1/4"	
N3	One-touch fitting for ø5/32"	SX5000
N7	One-touch fitting for ø1/4"	
N9	One-touch fitting for ø5/16"	SX7000
N9	One-touch fitting for ø5/16"	
N11	One-touch fitting for ø3/8"	

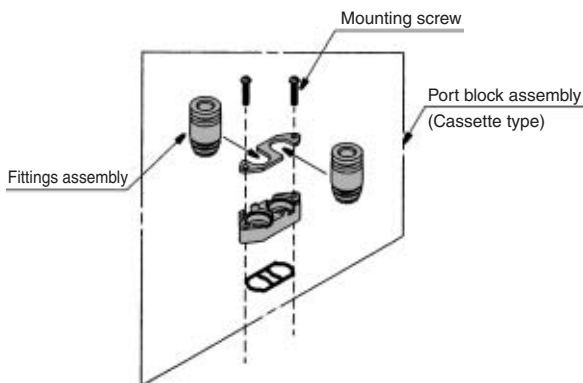
* Only replacement of the fittings assembly is possible.

Metric size

Series	One-touch fitting for ø4	One-touch fitting for ø6	One-touch fitting for ø8	One-touch fitting for ø10
SX3000	VVQ1000-50A-C4	VVQ1000-50A-C6		
SX5000	VVQ1000-51A-C4	VVQ1000-51A-C6	VVQ1000-51A-C8	
			VVQ2000-51A-C8	
SX7000	VVQ2000-51A-C8	VVQ2000-51A-C10		
				VVQ2000-51A-C10

Inch size

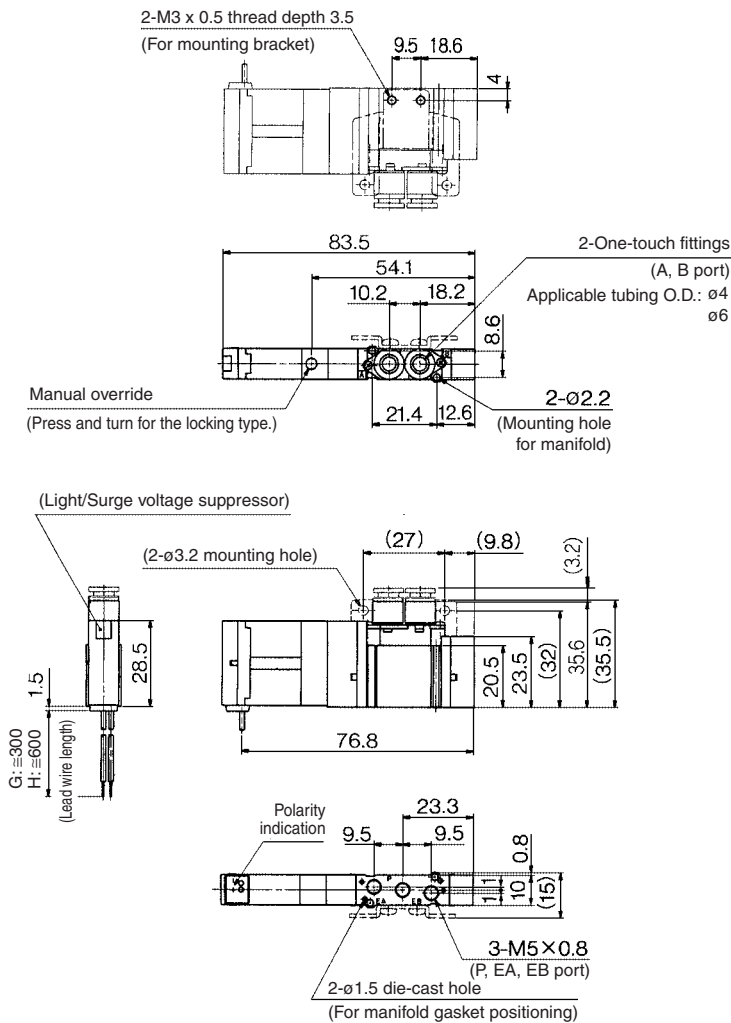
Series	One-touch fitting for ø5/32"	One-touch fitting for ø1/4"	One-touch fitting for ø5/16"	One-touch fitting for ø3/8"
SX3000	VVQ1000-50A-N3	VVQ1000-50A-N7		
			VVQ1000-51A-N3	
SX5000	VVQ1000-50A-N3	VVQ1000-50A-N7	VVQ1000-50A-N9	
			VVQ2000-51A-N9	
SX7000	VVQ2000-51A-N9	VVQ2000-51A-N11		
				VVQ2000-51A-N11



Dimensions: Series SX3000

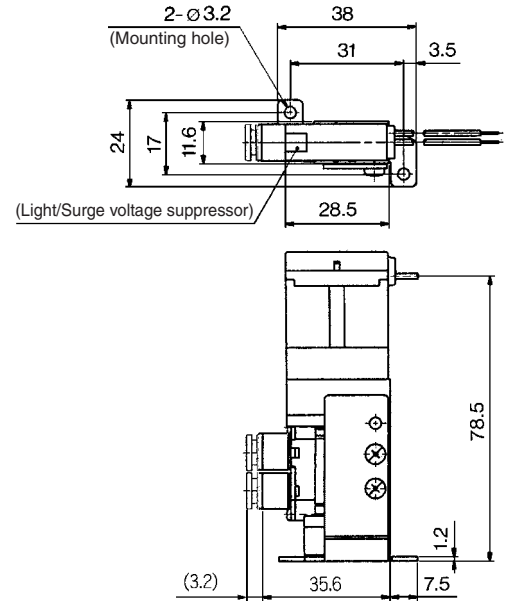
2 position single

Grommet (G), (H): SX3120-□^G□□-C₆^{-C4} (-F2)

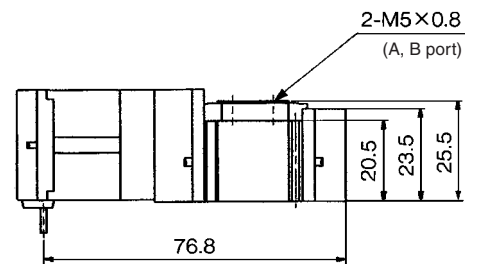


Foot bracket

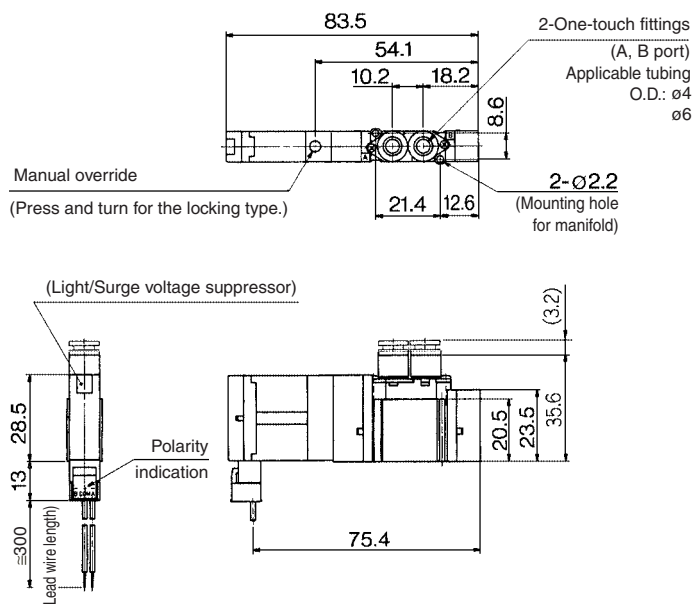
SX3120-□^G□□-C₆^{-C4} -F1



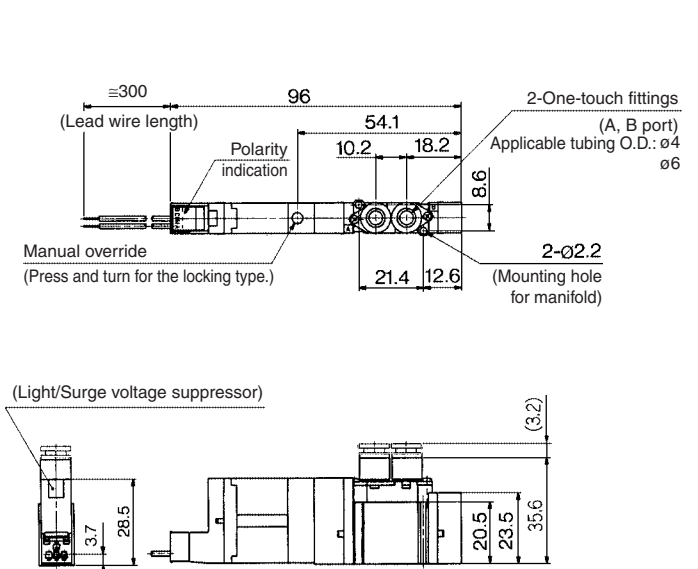
SX3120-□^G□□-M5



L plug connector (L): SX3120-□^L□□-C₆^{-C4}

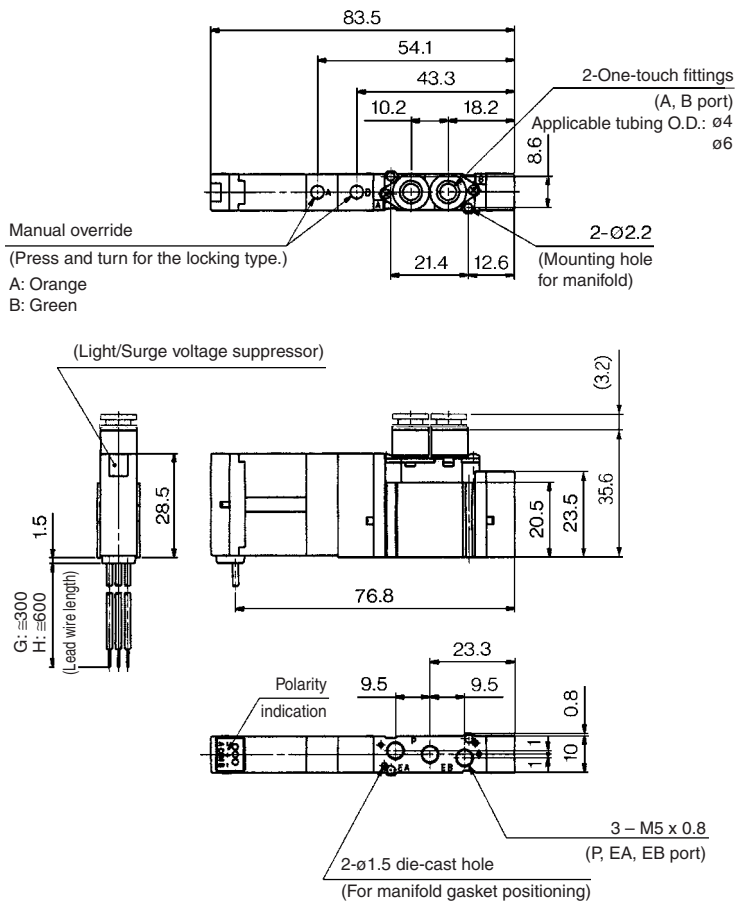


M plug connector (M): SX3120-□^M□□-C₆^{-C4}



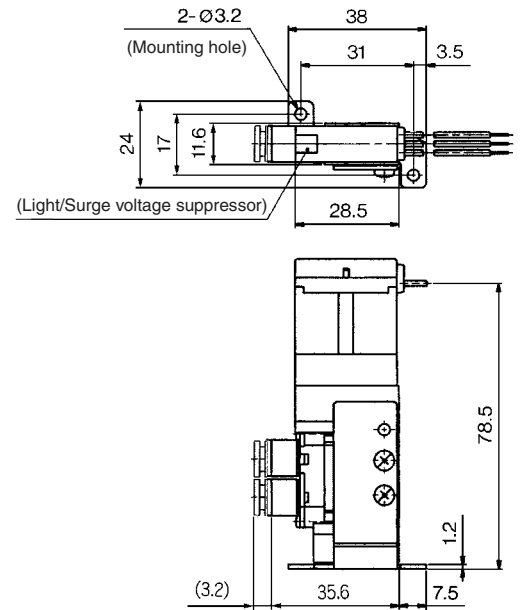
2 position double

Grommet (G), (H): SX3220-□^G□□□-C₄
C₆

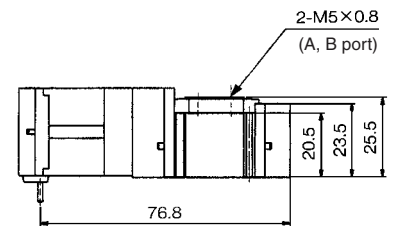


Foot bracket

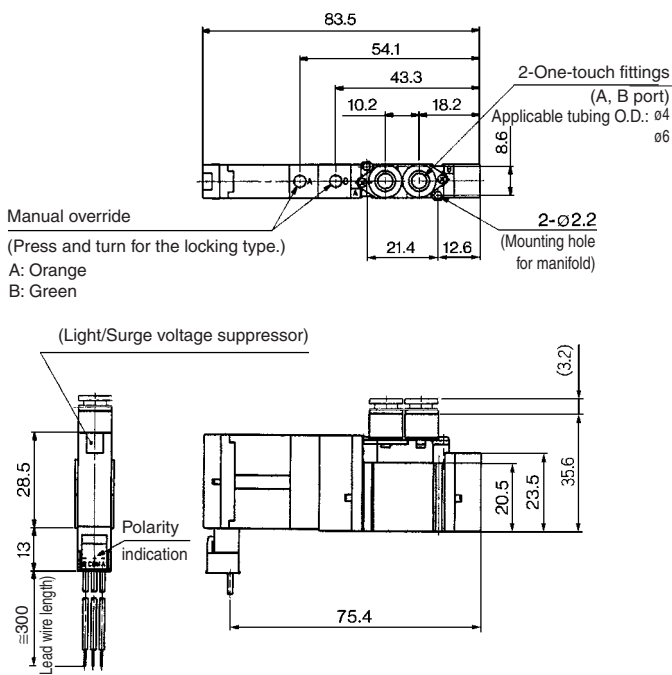
SX3220-□^G□□□-C₄
C₆-F1



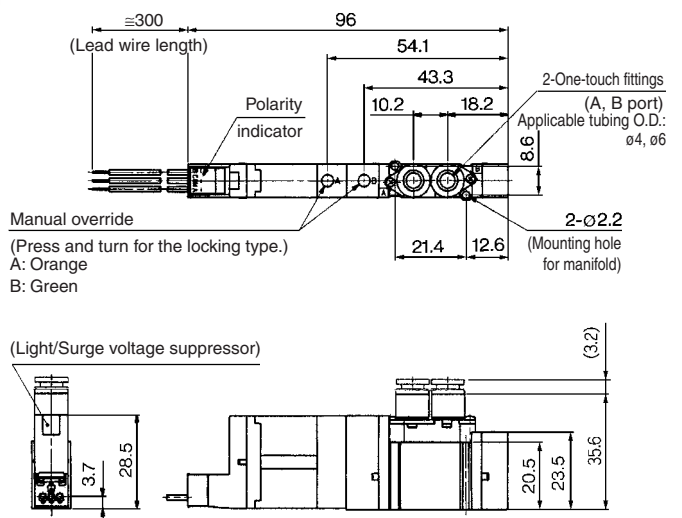
SX3220-□^G□□□-M5



L plug connector (L): SX3220-□^L□□□-C₄
C₆

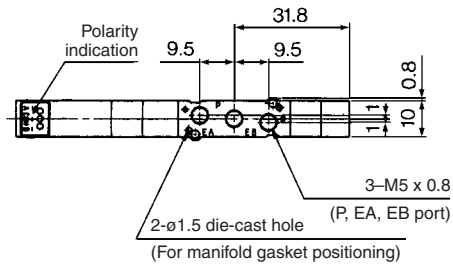
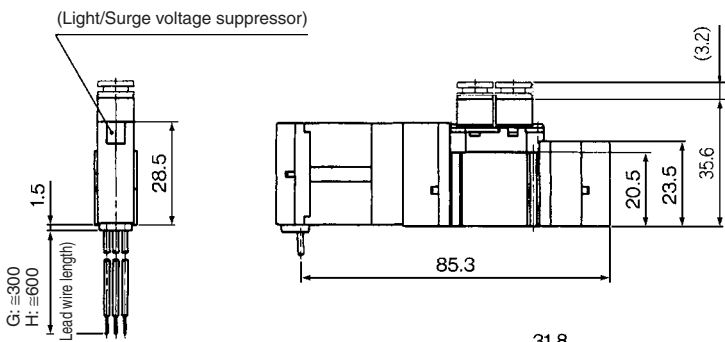
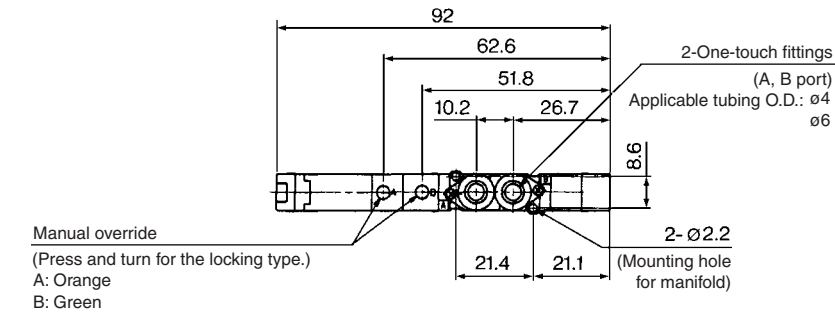


M plug connector (M): SX3220-□^M□□□-C₄
C₆

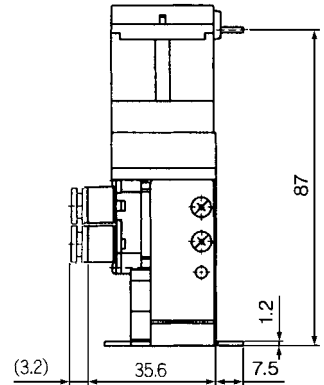
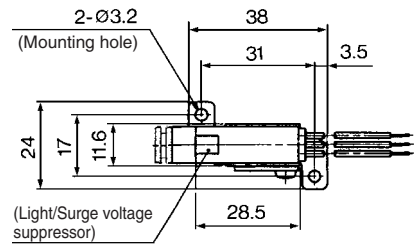


Dimensions: Series SX3000

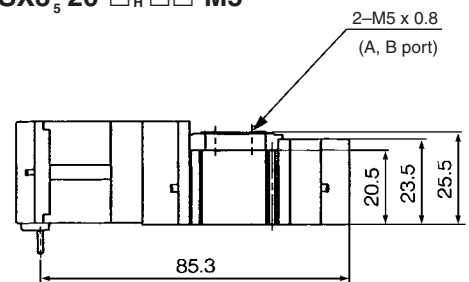
**3 position closed center/exhaust center/pressure center
Grommet (G), (H): SX₃³/₄⁴□₅⁵20-□_H^G□□-C₆^{C4}**



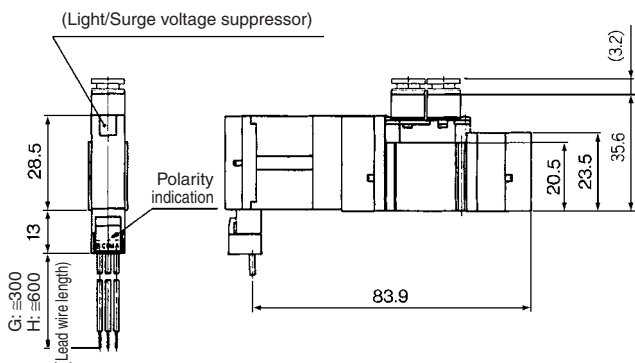
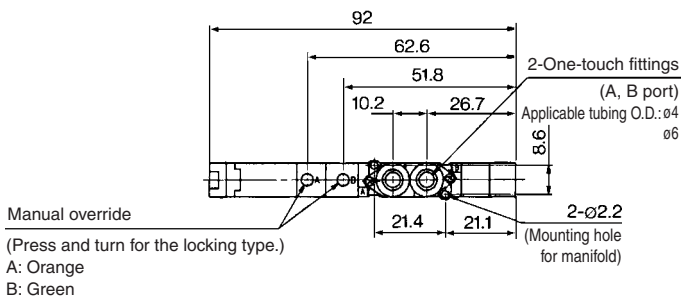
**Foot bracket
SX₃³/₄⁴20-□_H^G□□-C₆^{C4}-F1**



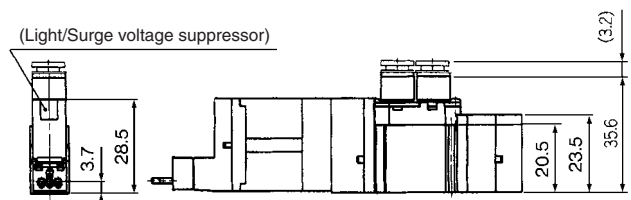
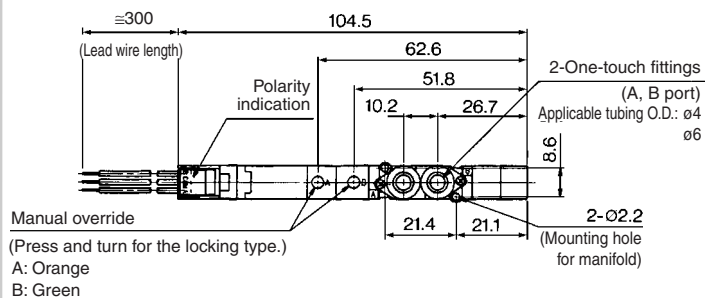
SX₃³/₄⁴20-□_H^G□□-M5



L plug connector (L): SX₃³/₄⁴20-□_L^G□□-C₆^{C4}



M plug connector (M): SX₃³/₄⁴20-□_M^G□□-C₆^{C4}



Series SX3000/5000/7000 Base Mounted Valve Single Unit

How to Order

SX 5 2 40 **5 N L**

Series

3	SX3000
5	SX5000
7	SX7000

Type of actuation

1	2 position single
2	2 position double
3	3 position closed center
4	3 position exhaust center
5	3 position pressure center

Thread type

Nil	Rc
F	G
N	NPT
T	NPTF

Port size

Symbol	Port size	Applicable series
Nil	Without sub-plate	
01	1/8 With sub-plate	SX3000
02	1/4 With sub-plate	SX5000 SX7000
03	3/8 With sub-plate	SX7000

Manual override

Nil: Non-locking push type

D: Push-turn locking slotted type

Light/Surge voltage suppressor

Nil	Without light/surge voltage suppressor
S	With surge voltage suppressor
Z	With light/surge voltage suppressor

Electrical entry

Grommet		L plug connector		M plug connector	
G: Lead wire length 300 mm 	L: With lead wire (Length 300 mm) 	M: With lead wire (Length 300 mm) 	MN: Without lead wire 	LO: Without connector 	MO: Without connector
H: Lead wire length 600 mm 	LN: Without lead wire 				

Pilot type

Nil	Internal pilot
R	External pilot

Rated voltage

5	24 VDC
6	12 VDC
V	6 VDC
S	5 VDC
R	3 VDC

Common specifications

Nil	Positive common
N	Negative common

Note) Put nothing for single grommet style and single without indicator light and surge voltage suppressor.

* The LN or MN option includes 2 sockets for single solenoid valves and 3 sockets for double solenoid valves.

Specifications



Made to Order Specifications
(For details, refer to pages
1-6-124 to 1-6-138.)

Series		SX3000	SX5000	SX7000
Fluid		Air		
Internal pilot Operating pressure range (MPa)	2 position single	0.15 to 0.7		
	2 position double	0.1 to 0.7		
	3 position	0.2 to 0.7		
External pilot Operating pressure range (MPa)	Operating pressure range		-100 kPa to 0.7	
	Pilot pressure range	2 position single	0.25 to 0.7	
		2 position double	0.25 to 0.7	
		3 position	0.25 to 0.7	
Ambient and fluid temperature (°C)		Max. 50		
Max. operating frequency (Hz)	2 position single, double	10	5	5
	3 position	3	3	3
Manual override		Non-locking push type, Push-turn locking slotted type		
Pilot exhaust method	Internal pilot	Common exhaust type for main and pilot valve		
	External pilot	Pilot valve individual exhaust		
Lubrication		Not required		
Mounting orientation		Unrestricted		
Impact/Vibration resistance (m/s ²) ^{Note)}		150/30		
Enclosure		Dusttight		



Note) Impact resistance: No malfunction occurred when it is tested with a drop tester in the axial direction and at the right angles to the main valve and armature in both energized and de-energized states every once for each condition. (Values at the initial period)

Vibration resistance: No malfunction occurred in a one-sweep test between 45 and 2000 Hz. Test was performed at both energized and de-energized states in the axial direction and at the right angles to the main valve and armature. (Values at the initial period)

Solenoid Specifications

Electrical entry	Grommet (G)/(H), L plug connector (L), M plug connector (M)		
Coil rated voltage (V)	DC	24, 12, 6, 5, 3	
Allowable voltage fluctuation	±10% of rated voltage		
Power consumption (W)	DC	0.6 (With indicator light: 0.65)	
Surge voltage suppressor	Diode		
Indicator light	LED		

Response Time



Note) Based on dynamic performance test, JIS B 8375-1981. (Coil temperature: 20°C, at rated voltage)

SX3000

Type of actuation	Response time (ms) (at the pressure of 0.5 MPa)	
	Without light/surge voltage suppressor	With light/surge voltage suppressor
2 position single	12 or less	15 or less
2 position double	10 or less	13 or less
3 position	15 or less	20 or less

SX5000

Type of actuation	Response time (ms) (at the pressure of 0.5 MPa)	
	Without light/surge voltage suppressor	With light/surge voltage suppressor
2 position single	19 or less	26 or less
2 position double	18 or less	22 or less
3 position	32 or less	38 or less

SX7000

Type of actuation	Response time (ms) (at the pressure of 0.5 MPa)	
	Without light/surge voltage suppressor	With light/surge voltage suppressor
2 position single	31 or less	38 or less
2 position double	27 or less	30 or less
3 position	50 or less	56 or less

SV

SZ

SY

SYJ

SX

Series **SX3000/5000/7000**

Flow Characteristics/Weight

Model/Series SX3000

Valve model	Type of actuation		Port size	Flow characteristics ⁽¹⁾						Weight (g) ⁽²⁾	
				1 → 4/2 (P → A/B)			4/2 → 5/3 (A/B → EA/EB)			Grommet	L plug connector M plug connector
				C [dm ³ /(s·bar)]	b	Cv	C [dm ³ /(s·bar)]	b	Cv		
SX3□40-□-01	2 position	Single	Rc 1/8	1.0	0.30	0.24	1.1	0.30	0.26	100 (66)	101 (67)
		Double		0.77	0.28	0.18	0.85	0.30	0.19	108 (74)	110 (75)
	3 position	Closed center		0.73	0.31	0.18	1.1 [0.55]	0.26 [0.52]	0.24 [0.16]	111 (76)	112 (78)
		Exhaust center		1.2 [0.51]	0.24 [0.45]	0.29 [0.14]	0.89	0.47	0.24		
		Pressure center									



Note 1) []: Denotes the normal position.
 Note 2) (): Without sub-plate.

Model/Series SX5000

Valve model	Type of actuation		Port size	Flow characteristics ⁽¹⁾						Weight (g) ⁽²⁾	
				1 → 4/2 (P → A/B)			4/2 → 5/3 (A/B → EA/EB)			Grommet	L plug connector M plug connector
				C [dm ³ /(s·bar)]	b	Cv	C [dm ³ /(s·bar)]	b	Cv		
SX5□40-□-02	2 position	Single	Rc 1/4	2.4	0.41	0.64	2.8	0.29	0.66	136 (74)	137 (75)
		Double		1.8	0.47	0.50	1.8	0.40	0.47	144 (82)	145 (83)
	3 position	Closed center		1.4	0.55	0.44	3.0 [1.2]	0.33 [0.48]	0.72 [0.37]	149 (87)	151 (89)
		Exhaust center		3.3 [0.84]	0.36 [0.60]	0.85 [0.28]	1.8	0.40	0.48		
		Pressure center									



Note 1) []: Denotes the normal position.
 Note 2) (): Without sub-plate.

Model/Series SX7000

Valve model	Type of actuation		Port size	Flow characteristics ⁽¹⁾						Weight (g) ⁽²⁾	
				1 → 4/2 (P → A/B)			4/2 → 5/3 (A/B → EA/EB)			Grommet	L plug connector M plug connector
				C [dm ³ /(s·bar)]	b	Cv	C [dm ³ /(s·bar)]	b	Cv		
SX7□40-□-02	2 position	Single	Rc 1/4	4.1	0.41	1.1	4.1	0.29	1.0	222 (100)	223 (101)
		Double		3.0	0.43	0.80	2.6	0.41	0.72	229 (107)	231 (109)
	3 position	Closed center		2.6	0.42	0.71	4.7 [1.7]	0.35 [0.48]	1.1 [0.49]	238 (116)	240 (118)
		Exhaust center		5.3 [2.3]	0.39 [0.49]	1.3 [0.65]	2.2	0.49	0.63		
		Pressure center									
SX7□40-□-03	2 position	Single	Rc 3/8	4.9	0.29	1.2	4.5	0.27	1.1	222 (100)	223 (101)
		Double		3.0	0.40	0.80	2.6	0.45	0.73	229 (107)	231 (109)
	3 position	Closed center		2.6	0.42	0.71	4.8 [1.7]	0.35 [0.48]	1.1 [0.49]	238 (116)	240 (118)
		Exhaust center		5.3 [2.3]	0.31 [0.51]	1.3 [0.64]	2.3	0.45	0.66		
		Pressure center									



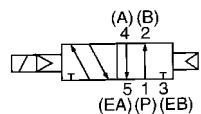
Note 1) []: Denotes the normal position.
 Note 2) (): Without sub-plate.

Construction

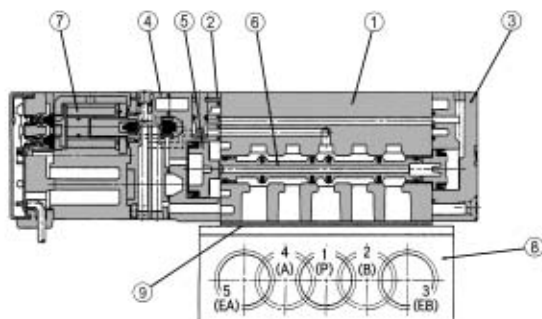
Series SX

JIS Symbol

2 position single

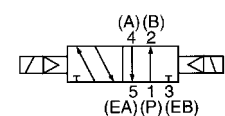


2 position single

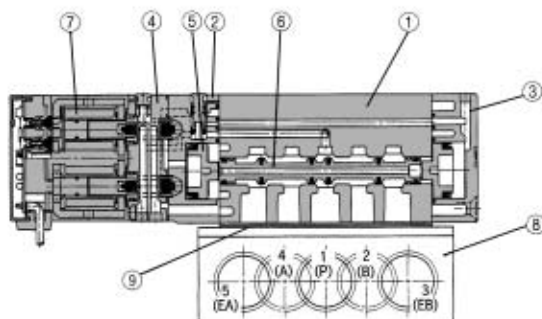


JIS Symbol

2 position double

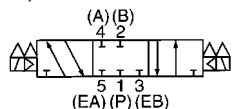


2 position double

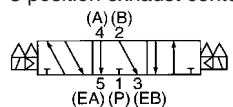


JIS Symbol

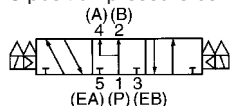
3 position closed center



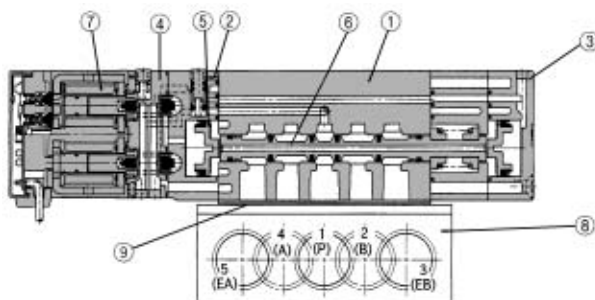
3 position exhaust center



3 position pressure center



3 position closed center/exhaust center/pressure center



(This figure shows a closed center type.)

Component Parts

No.	Description	Material	Note
①	Body	Aluminum die-casted (SX3000: Zinc die-casted)	White
②	Adapter plate	Resin	White
③	End plate	Resin	White
④	Pilot body	Resin	White
⑤	Piston	Resin	—
⑥	Spool valve assembly	Aluminum, HNBR	—
⑦	Molded coil	Resin	Gray

Replacement Parts

No.	Description	Part no.			Note
		SX3□40	SX5□40	SX7□40	
⑧	Sub-plate	SY3000-27-1	SY5000-27-1	1/4 Rc: SY7000-27-1 3/8 Rc: SY7000-27-2	Aluminum die-casted
⑨	Gasket	SY3000-11-25	SY5000-11-15	SY7000-11-11	HNBR
—	Round head combination screw	SX3000-22-2 (M2 x 24)	M3 x 30	M4 x 35	For valve mounting (Matt nickel plated)

How to Order Connector Assembly for L/M Plug Connector

Positive common specifications

For single solenoid: **SX100-40-4S**

For double solenoid, **SX100-40-4D**

3 position: **SX100-41-4S**

For single solenoid: **SX100-41-4S**

For double solenoid, **SX100-41-4D**

3 position: **SX100-41-4D**

Lead wire length

Lead wire length	Part no.
Nil	300 mm
6	600 mm
10	1000 mm
15	1500 mm
20	2000 mm
25	2500 mm
30	3000 mm
50	5000 mm



For detailed information on connector assembly, refer to page 1-6-8.

SV

SZ

SY

SYJ

SX

⚠ Caution

Mounting Screw Tightening Torques

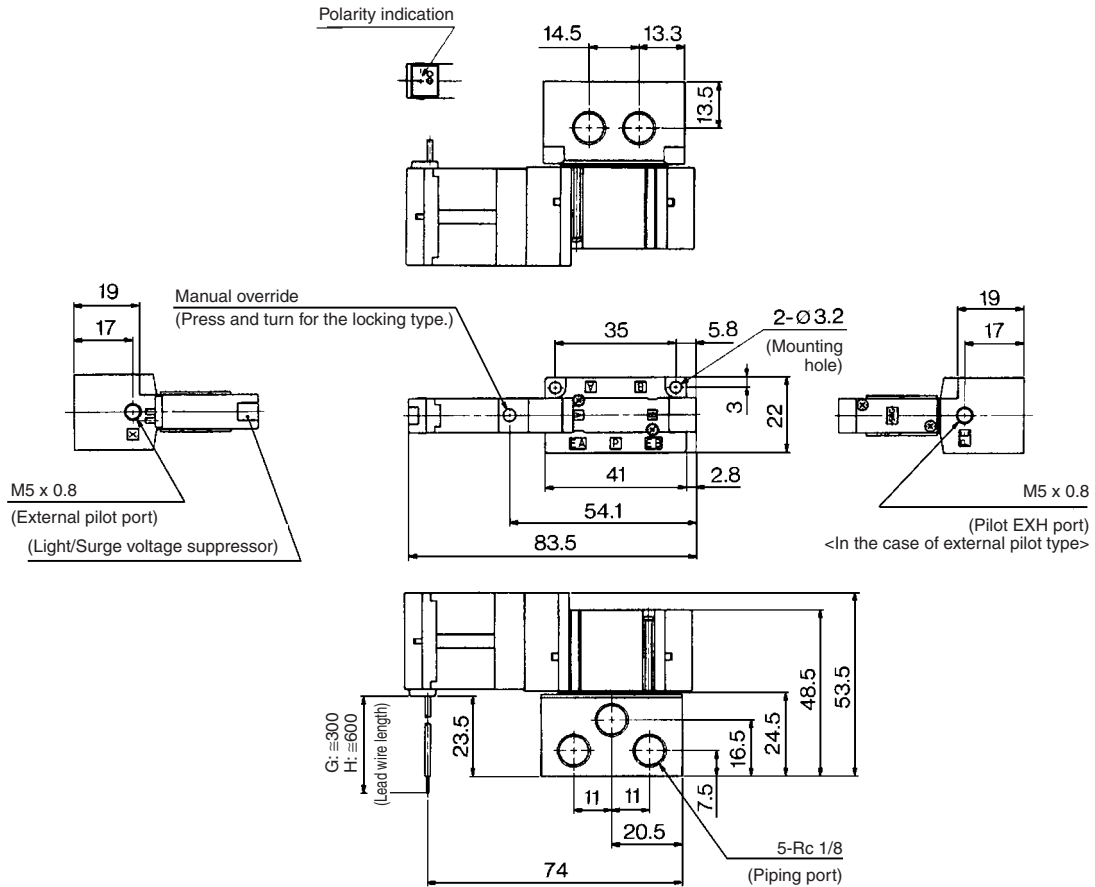
M2: 0.17 N·m
M3: 0.8 N·m
M4: 1.4 N·m

Series **SX3000/5000/7000**

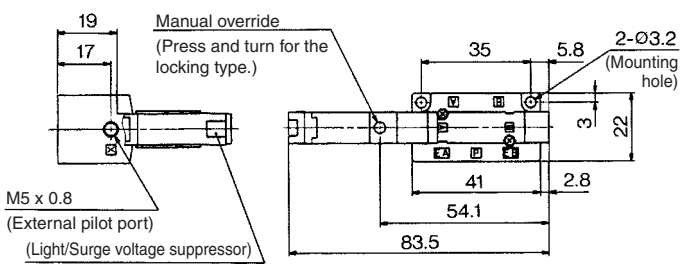
Dimensions: Series SX3000

2 position single

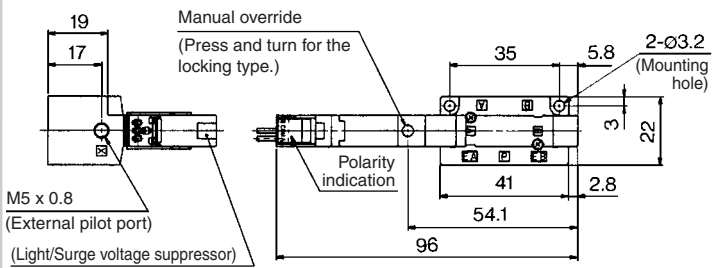
Grommet (G), (H): SX3140(R)-□^G□□-01



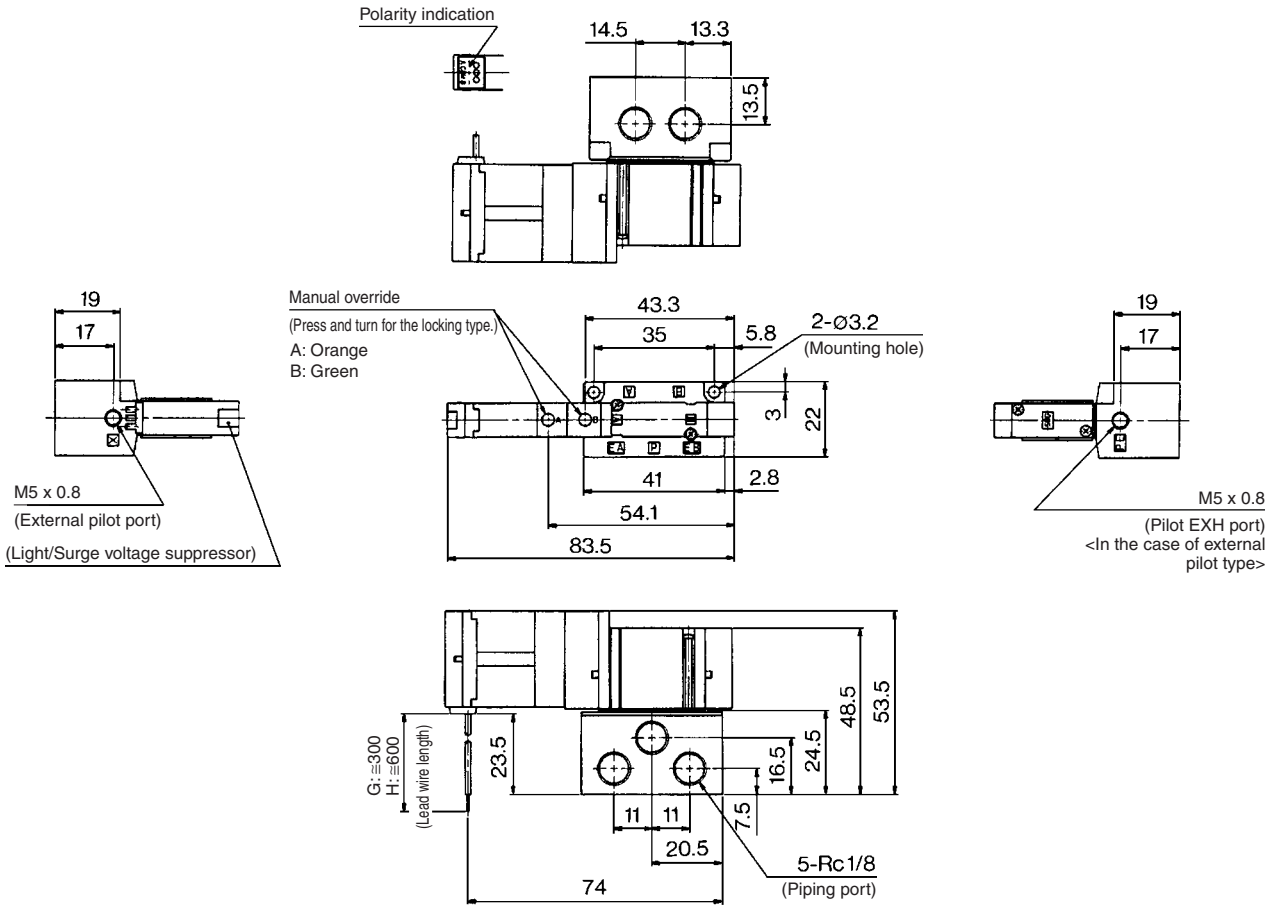
L plug connector (L): SX3140(R)-□L□□-01



M plug connector (M): SX3140(R)-□M□□-01



**2 position double
Grommet (G), (H): SX3240(R)-□^G□□-01**



SV

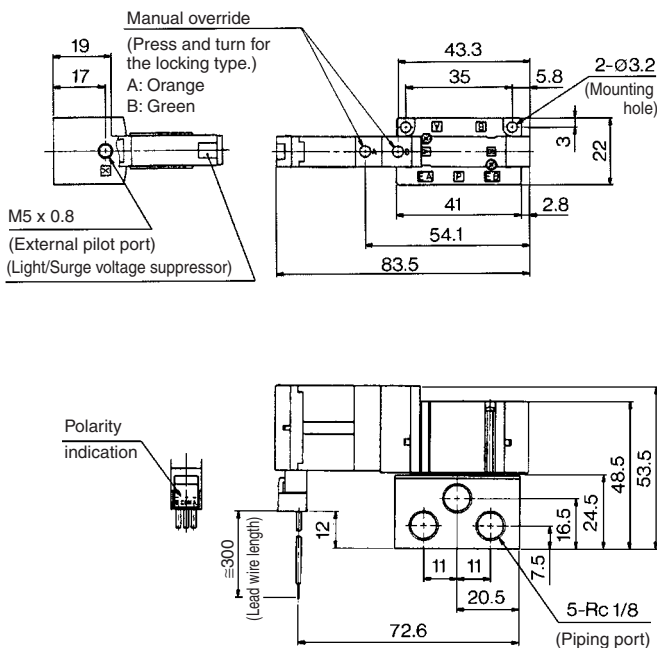
SZ

SY

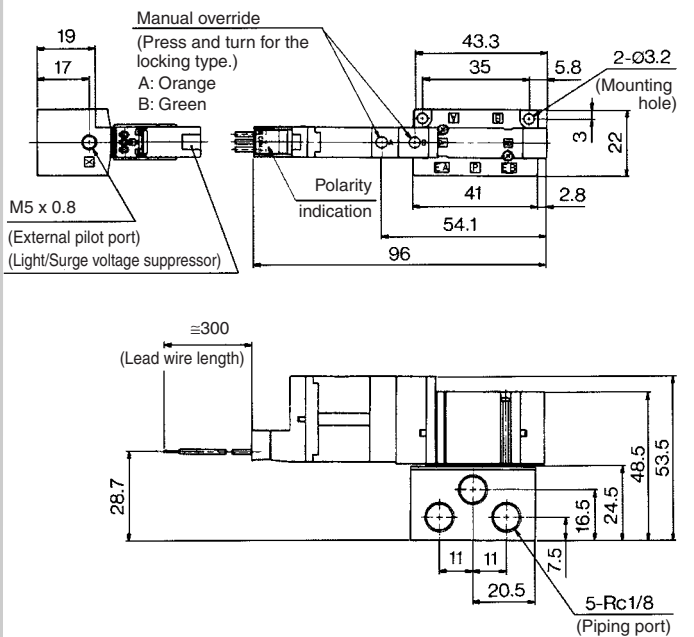
SYJ

SX

L plug connector (L): SX3240(R)-□L□□-01



M plug connector (M): SX3240(R)-□M□□-01

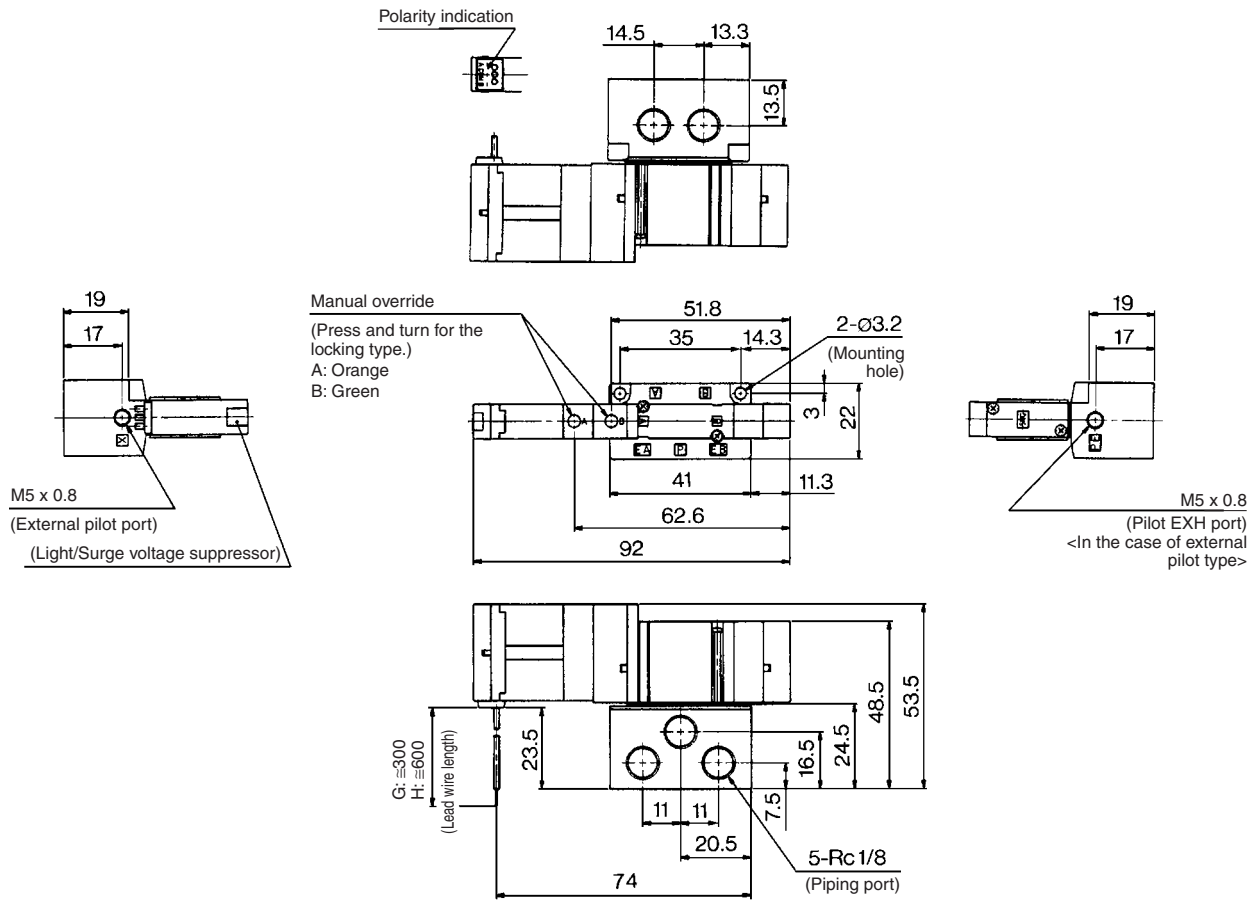


Series **SX3000/5000/7000**

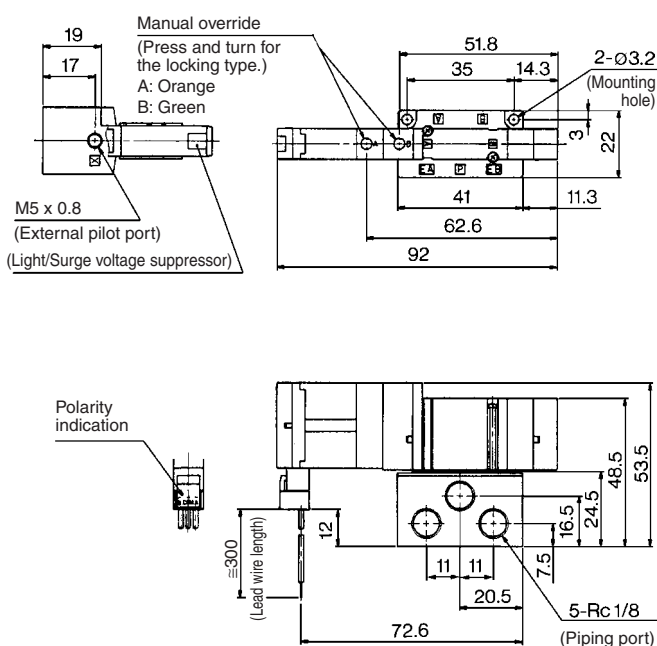
Dimensions: Series **SX3000**

3 position closed center/exhaust center/pressure center

Grommet (G), (H): **SX3³₄⁴₅40(R)-□^G_H□□-01**



L plug connector (L): SX3³₄⁴₅40(R)-□L□□-01



M plug connector (M): SX3³₄⁴₅40(R)-□M□□-01

