

# Series SX3000/5000/7000 Body Ported Valve Single Unit

## How to Order

**SX 5 1 20 — 5 N L — — — 01 — —**

### Series

3	SX3000
5	SX5000
7	SX7000

### Type of actuation

1	2 position single (A)(B) 4 2 5 1 3 (EA)(P)(EB)
2	2 position double (A)(B) 4 2 5 1 3 (EA)(P)(EB)
3	3 position closed center (A)(B) 4 2 5 1 3 (EA)(P)(EB)
4	3 position exhaust center (A)(B) 4 2 5 1 3 (EA)(P)(EB)
5	3 position pressure center (A)(B) 4 2 5 1 3 (EA)(P)(EB)

### Rated voltage

5	24 VDC
6	12 VDC
V	6 VDC
S	5 VDC
R	3 VDC

### Common specifications

Nil	Positive common
N	Negative common

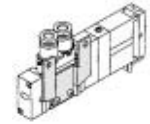
Note) Put nothing for single grommet style and single without indicator light and surge voltage suppresser.

### Bracket

Nil: Without bracket  
F1: With foot bracket



F2: With side bracket



### Manual override

Nil: Non-locking push type



D: Push-turn locking slotted type



### Thread type

Nil	Rc
F	G
N	NPT
T	NPTF

### A, B port size Thread piping

Symbol	Port size	Applicable series
M5	M5 x 0.8	SX3000
01	1/8	SX5000
02	1/4	SX7000

### One-touch fitting (Metric size)

Symbol	Port size	Applicable series
C4	One-touch fittings for ø4	SX3000
C6	One-touch fittings for ø6	
C4	One-touch fittings for ø4	SX5000
C6	One-touch fittings for ø6	
C8	One-touch fittings for ø8	SX7000
C8	One-touch fittings for ø8	
C10	One-touch fitting for ø10	

### One-touch fitting (Inch size)

Symbol	Port size	Applicable series
N3	One-touch fitting for ø5/32"	SX3000
N7	One-touch fitting for ø1/4"	
N3	One-touch fitting for ø5/32"	SX5000
N7	One-touch fitting for ø1/4"	
N9	One-touch fitting for ø5/16"	SX7000
N9	One-touch fitting for ø5/16"	
N11	One-touch fitting for ø3/8"	

### Light/Surge voltage suppressor

Nil	Without light/surge voltage suppressor
S	With surge voltage suppressor
Z	With light/surge voltage suppressor

### Electrical entry

Grommet		L plug connector		M plug connector	
<b>G:</b> Lead wire length 300 mm		<b>L:</b> With lead wire (Length 300 mm)		<b>M:</b> With lead wire (Length 300 mm)	
<b>H:</b> Lead wire length 600 mm		<b>LN:</b> Without lead wire		<b>MO:</b> Without connector	
				<b>MN:</b> Without lead wire	

\* The LN or MN option includes 2 sockets for single solenoid valves and 3 sockets for double solenoid valves.



**Specifications**

Series		SX3000	SX5000	SX7000
Fluid		Air		
Internal pilot	2 position single	0.15 to 0.7		
Operating pressure range (MPa)	2 position double	0.1 to 0.7		
	3 position	0.2 to 0.7		
Ambient and fluid temperature (°C)		Max. 50		
Max. operating frequency (Hz)	2 position single, double	10	5	5
	3 position	3	3	3
Manual override		Non-locking push type, Push-turn locking slotted type		
Pilot exhaust method		Common exhaust type for main and pilot valve		
Lubrication		Not required		
Mounting orientation		Unrestricted		
Impact/Vibration resistance (m/s <sup>2</sup> ) <sup>Note</sup>		150/30		
Enclosure		Dusttight		



Note) Impact resistance: No malfunction occurred when it is tested with a drop tester in the axial direction and at the right angles to the main valve and armature in both energized and de-energized states every once for each condition. (Values at the initial period)

Vibration resistance: No malfunction occurred in a one-sweep test between 45 and 2000 Hz. Test was performed at both energized and de-energized states in the axial direction and at the right angles to the main valve and armature. (Values at the initial period)

SV

SZ

SY

SYJ

SX



**Made to Order Specifications**  
(For details, refer to pages 1-6-124 to 1-6-138.)

**Solenoid Specifications**

Electrical entry	Grommet (G)/(H), L plug connector (L), M plug connector (M)	
Coil rated voltage (V)	DC	24, 12, 6, 5, 3
Allowable voltage fluctuation	±10% of rated voltage	
Power consumption (W)	DC	0.6 (With indicator light: 0.65)
Surge voltage suppressor	Diode	
Indicator light	LED	

**Response Time**



Note) Based on dynamic performance test, JIS B 8375-1981. (Coil temperature: 20°C, at rated voltage)

**SX3000**

Type of actuation	Response time (ms) (at the pressure of 0.5 MPa)	
	Without light/surge voltage suppressor	With light/surge voltage suppressor
2 position single	12 or less	15 or less
2 position double	10 or less	13 or less
3 position	15 or less	20 or less

**SX5000**

Type of actuation	Response time (ms) (at the pressure of 0.5 MPa)	
	Without light/surge voltage suppressor	With light/surge voltage suppressor
2 position single	19 or less	26 or less
2 position double	18 or less	22 or less
3 position	32 or less	38 or less

**SX7000**

Type of actuation	Response time (ms) (at the pressure of 0.5 MPa)	
	Without light/surge voltage suppressor	With light/surge voltage suppressor
2 position single	31 or less	38 or less
2 position double	27 or less	30 or less
3 position	50 or less	56 or less

Model/Series **SX7000**

Valve model	Type of actuation		Port size		Flow characteristics						Weight (g)			
					1 → 4/2 (P → A/B)			4/2 → 5/3 (A/B → EA/EB)						
					1, 5, 3 (P, EA, EB)	4, 2 (A, B)	C [dm <sup>3</sup> /(s·bar)]	b	Cv	C [dm <sup>3</sup> /(s·bar)]	b	Cv	Grommet	L plug connector M plug connector
<b>SX7□20-□-02</b>	2 position	Single	1(P) port Rc 1/4	Rc 1/4	4.1	0.23	0.93	3.3	0.33	0.81	108	109		
		Double			2.9	0.31	0.70	2.4	0.38	0.63	116	117		
	3 position	Exhaust center			2.5	0.39	0.65	3.4 [2.1]	0.35 [0.38]	0.82 [0.54]	125	126		
		Pressure center			4.3 [2.4]	0.23 [0.32]	0.97 [0.61]	2.2	0.39	0.58				
<b>SX7□20-□-C8</b>	2 position	Single			5, 3 (EA, EB) Port Rc 1/8	C8 (One-touch fitting for ø8)	3.2	0.26	0.77	3.2	0.37	0.82	114	116
		Double					2.6	0.24	0.63	2.4	0.31	0.62	122	124
	3 position	Exhaust center					2.4	0.25	0.57	2.6 [1.9]	0.42 [0.46]	0.70 [0.56]	131	132
		Pressure center					3.3 [2.4]	0.28 [0.22]	0.78 [0.57]	2.2	0.34	0.60		
<b>SX7□20-□-C10</b>	2 position	Single	C10 (One-touch fitting for ø10)	C10			3.8	0.26	0.86	3.2	0.34	0.82	110	111
		Double					2.8	0.27	0.67	2.4	0.21	0.59	118	119
	3 position	Exhaust center					2.5	0.25	0.59	2.7 [2.0]	0.38 [0.38]	0.70 [0.56]	126	128
		Pressure center					3.8 [2.4]	0.25 [0.31]	0.89 [0.61]	2.3	0.38	0.61		



Note) [ ]: Denotes normal position.

SV

SZ

SY

SYJ

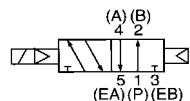
SX

## Construction

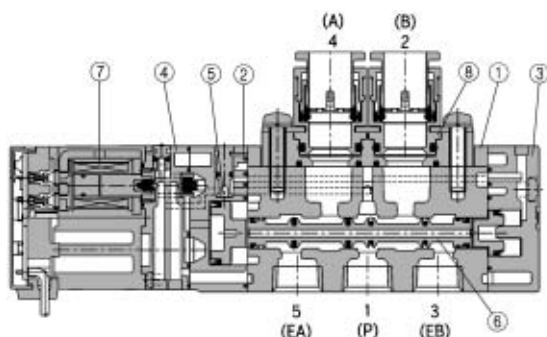
### Series SX

#### JIS Symbol

2 position single

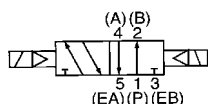


#### 2 position single

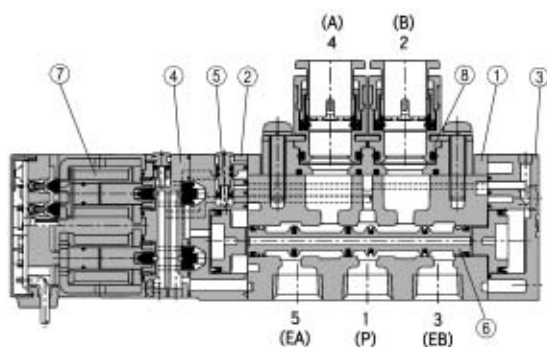


#### JIS Symbol

2 position double



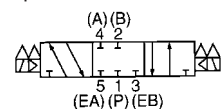
#### 2 position double



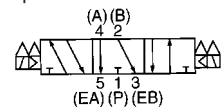
#### 3 position closed center/exhaust center/pressure center

#### JIS Symbol

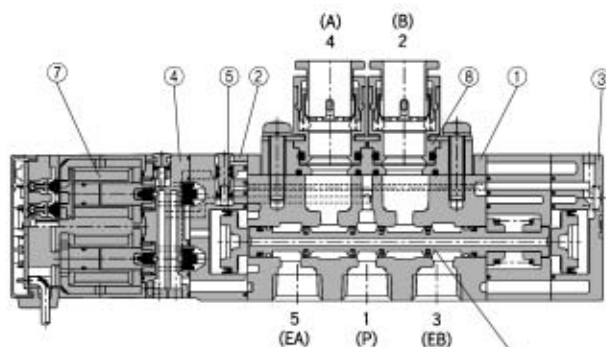
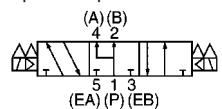
3 position closed center



3 position exhaust center



3 position pressure center



(This figure shows a closed center type.)

## Component Parts

No.	Description	Material	Note
①	Body	Aluminum die-casted (SX3000: Zinc die-casted)	White
②	Adapter plate	Resin	White
③	End plate	Resin	White
④	Pilot body	Resin	White
⑤	Piston	Resin	—
⑥	Spool valve assembly	Aluminum, HNBR	—
⑦	Molded coil	Resin	Gray

## Replacement Parts

No.	Description	Part no.
⑧	Port block assembly	See "How to Order Port Block Assembly" on page 1-6-7.

## How to Order Connector Assembly for L/M Plug Connector

### Positive common specifications

For single solenoid: **SX100-40-4S**

For double solenoid,  
3 position: **SX100-40-4D**

### Negative common specifications

For single solenoid: **SX100-41-4S**

For double solenoid,  
3 position: **SX100-41-4D**

### Lead wire length

Nil	300 mm
6	600 mm
10	1000 mm
15	1500 mm
20	2000 mm
25	2500 mm
30	3000 mm
50	5000 mm

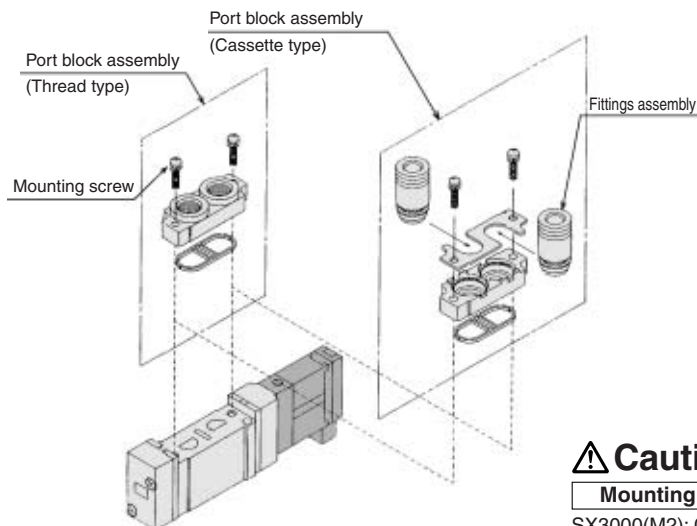


For detailed information on connector assembly, refer to page 1-6-8.

**How to Change Port Block Assembly**

The cylinder port block assembly can easily be changed. When changing block assembly, correct screw torque must be achieved. Cut off the air supply to confirm that no air is left in the manifold before starting operation. Remaining air or inappropriate installation may cause an accident.

● **For SX5000**



**Caution**

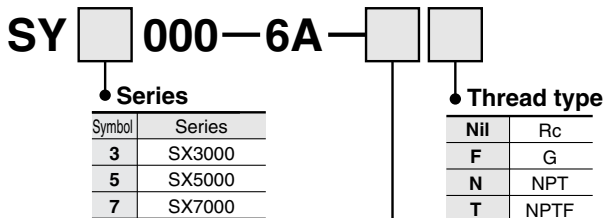
**Mounting screw tightening torques**  
 SX3000(M2): 0.17 N·m SX<sup>5</sup>000(M3): 0.8 N·m



\* Refer to "How to Order Port Block Assembly" below for parts no.

- SV
- SZ
- SY
- SYJ
- SX**

**How to Order Port Block Assembly**



**A, B port size**  
**Thread piping**

Symbol	Port size	Applicable series
M5	M5 x 0.8	SX3000
01	1/8"	SX5000
02	1/4"	SX7000

**One-touch fitting (Metric size)**

Symbol	Port size	Applicable series
C4	One-touch fitting for ø4	SX3000
C6	One-touch fitting for ø6	
C4	One-touch fitting for ø4	SX5000
C6	One-touch fitting for ø6	
C8	One-touch fitting for ø8	SX7000
C8	One-touch fitting for ø8	
C10	One-touch fitting for ø10	

**One-touch fitting (Inch size)**

Symbol	Port size	Applicable series
N3	One-touch fitting for ø5/32"	SX3000
N7	One-touch fitting for ø1/4"	
N3	One-touch fitting for ø5/32"	SX5000
N7	One-touch fitting for ø1/4"	
N9	One-touch fitting for ø5/16"	SX7000
N9	One-touch fitting for ø5/16"	
N11	One-touch fitting for ø3/8"	

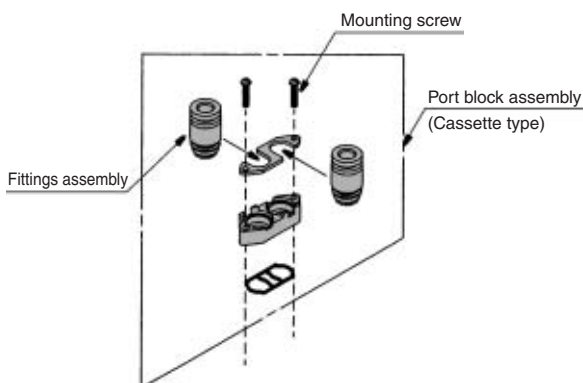
\* Only replacement of the fittings assembly is possible.

**Metric size**

Series	One-touch fitting for ø4	One-touch fitting for ø6	One-touch fitting for ø8	One-touch fitting for ø10
SX3000	VVQ1000-50A-C4	VVQ1000-50A-C6		
SX5000	VVQ1000-51A-C4	VVQ1000-51A-C6	VVQ1000-51A-C8	
			VVQ2000-51A-C8	
SX7000	VVQ2000-51A-C8	VVQ2000-51A-C10		
				VVQ2000-51A-C10

**Inch size**

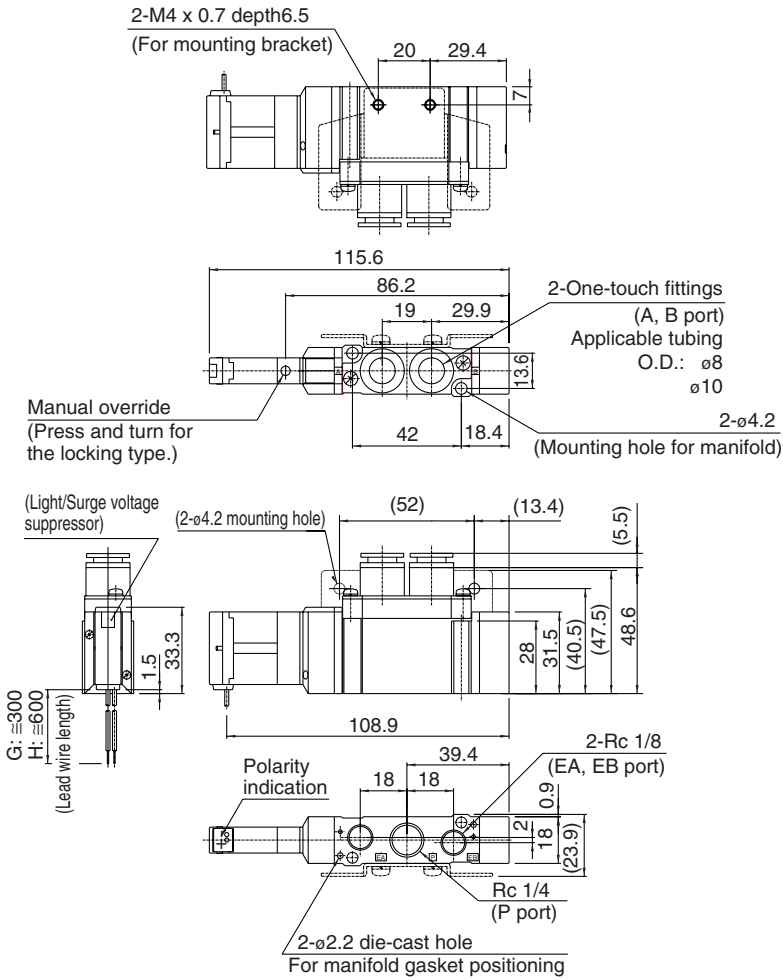
Series	One-touch fitting for ø5/32"	One-touch fitting for ø1/4"	One-touch fitting for ø5/16"	One-touch fitting for ø3/8"
SX3000	VVQ1000-50A-N3	VVQ1000-50A-N7		
			VVQ1000-51A-N3	
SX5000	VVQ1000-50A-N7	VVQ1000-50A-N9	VVQ1000-50A-N9	
			VVQ2000-51A-N9	
SX7000	VVQ2000-51A-N9	VVQ2000-51A-N11		
				VVQ2000-51A-N11



**Dimensions: Series SX7000**

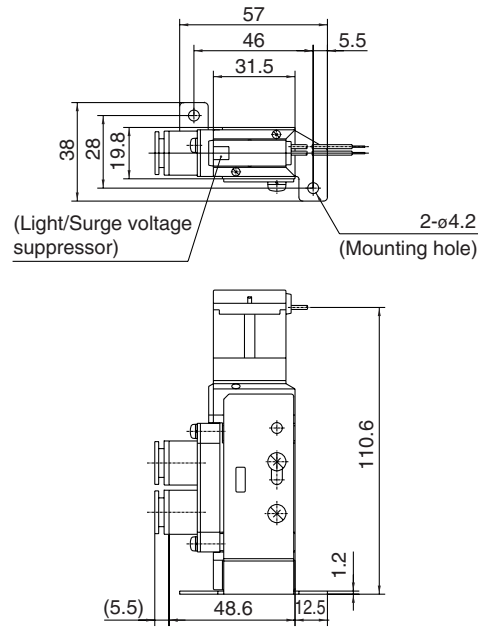
**2 position single**

**Grommet (G), (H): SX7120-□<sup>G</sup>□<sup>H</sup>□□-C<sup>8</sup><sub>C10</sub> (-F2)**

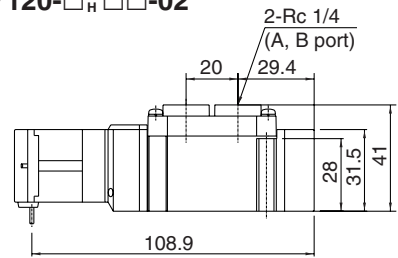


**Foot bracket**

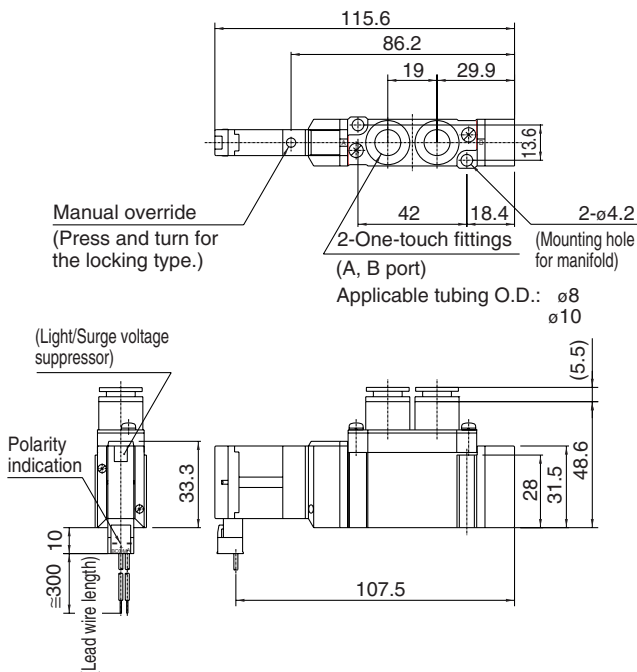
**SX7120-□<sup>G</sup>□<sup>H</sup>□□-C<sup>8</sup><sub>C10</sub> -F1**



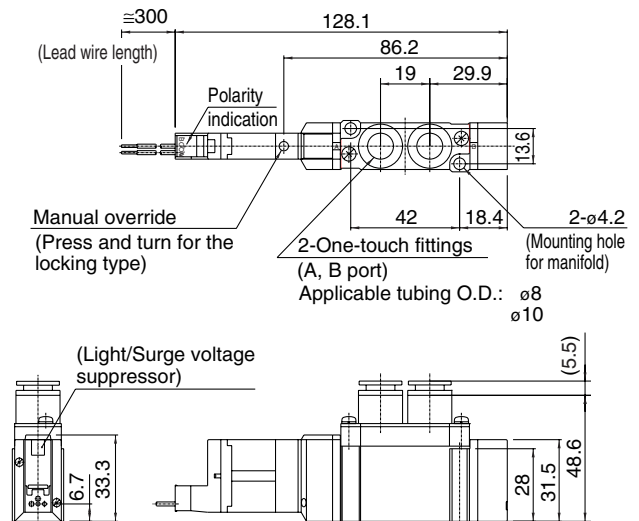
**SX7120-□<sup>G</sup>□<sup>H</sup>□□-02**



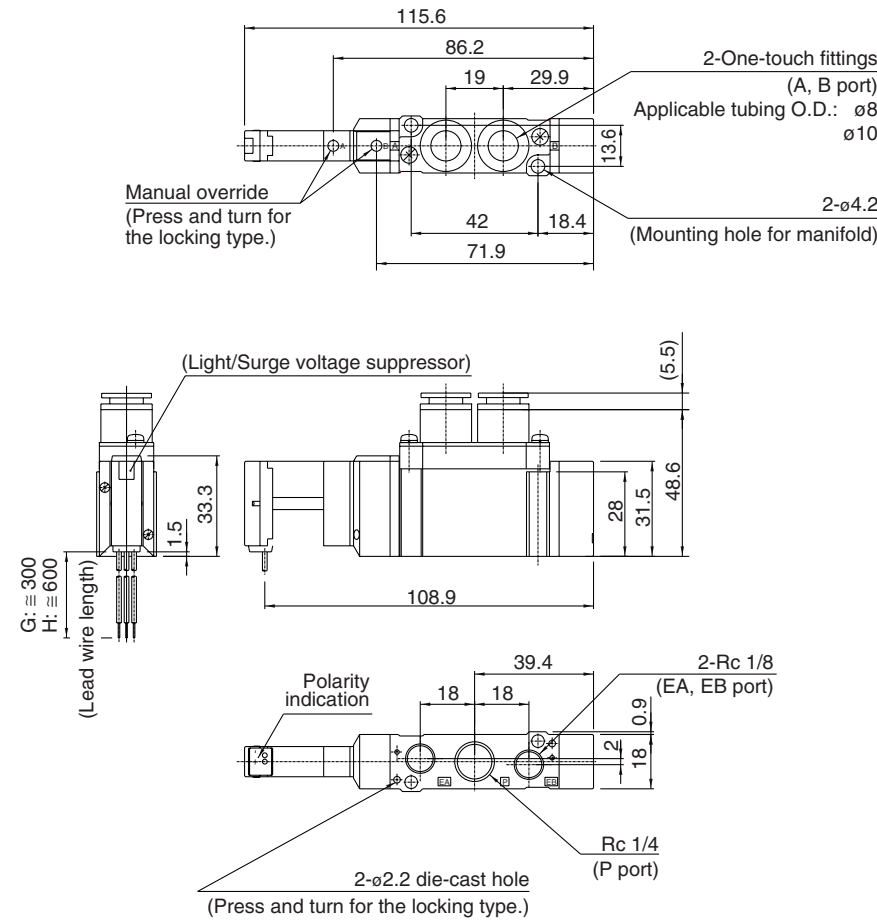
**L plug connector (L): SX7120-□L□□-C<sup>8</sup><sub>C10</sub>**



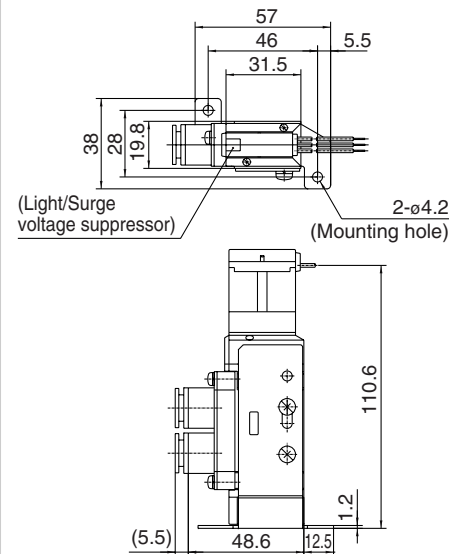
**M plug connector (M): SX7120-□M□□-C<sup>8</sup><sub>C10</sub>**



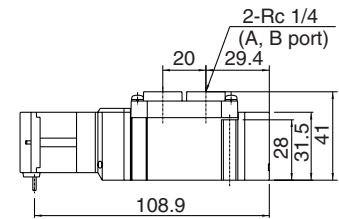
**2 position double Grommet (G), (H): SX7220-□<sub>H</sub>□□-C<sub>8</sub><sub>C10</sub> (-F2)**



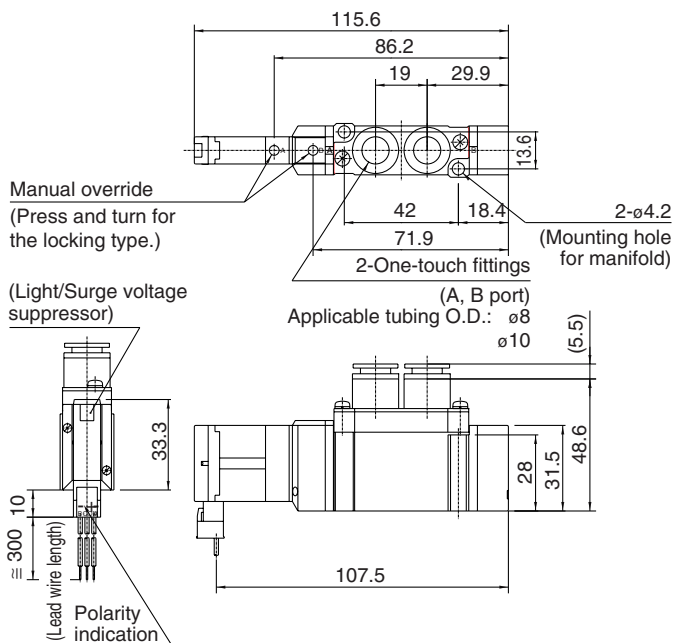
**Foot bracket SX7220-□<sub>H</sub>□□-C<sub>8</sub><sub>C10</sub> -F1**



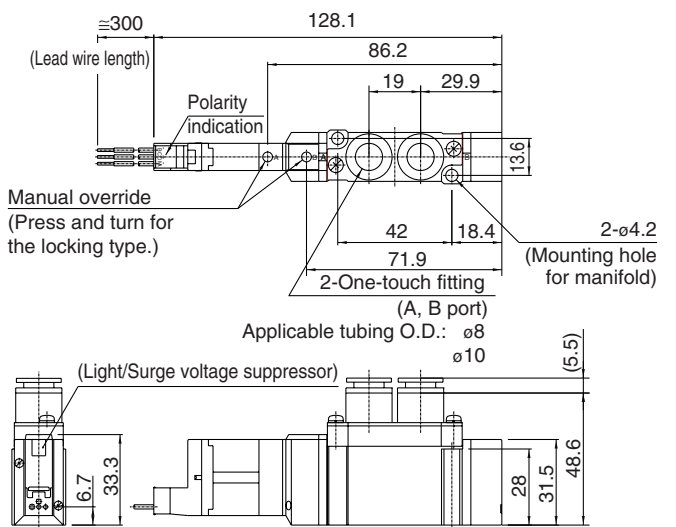
**SX7220-□<sub>H</sub>□□-02**



**L plug connector (L): SX7220-□L□□-C<sub>8</sub><sub>C10</sub>**



**M plug connector (M): SX7220-□M□□-C<sub>8</sub><sub>C10</sub>**

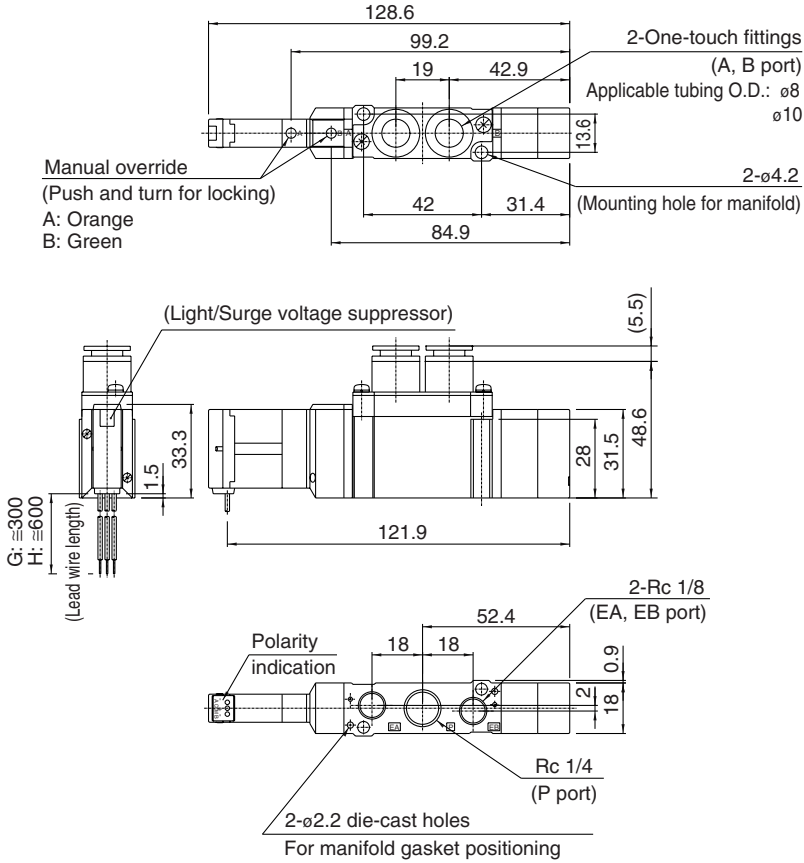


- SV
- SZ
- SY
- SYJ
- SX**

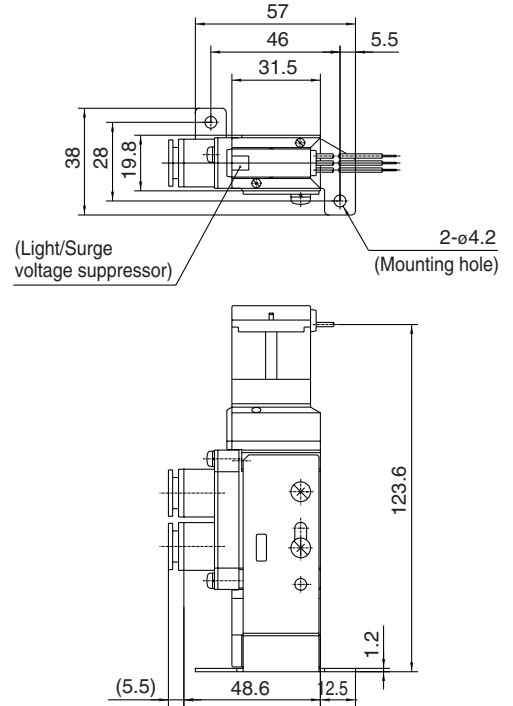


**Dimensions: Series SX7000**

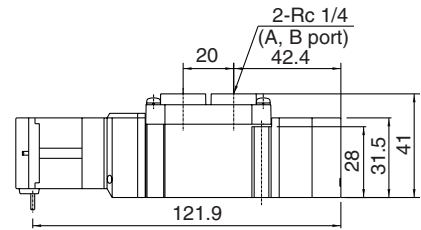
**3 position closed center/exhaust center/pressure center  
Grommet (G), (H): SX7<sup>3</sup>/<sub>4</sub>20-□<sup>G</sup>□□-C<sup>8</sup><sub>C10</sub> (-F2)**



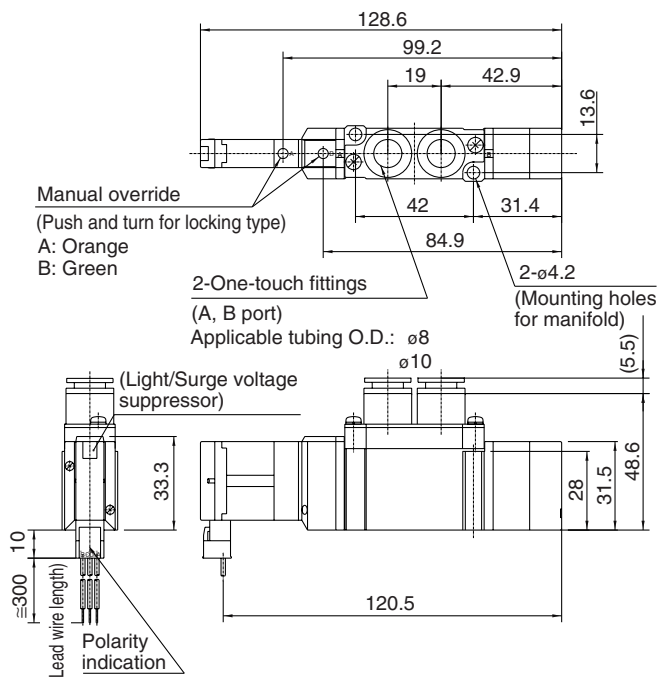
**Foot bracket  
SX7<sup>3</sup>/<sub>4</sub>20-□<sup>G</sup>□□-C<sup>8</sup><sub>C10</sub> -F1**



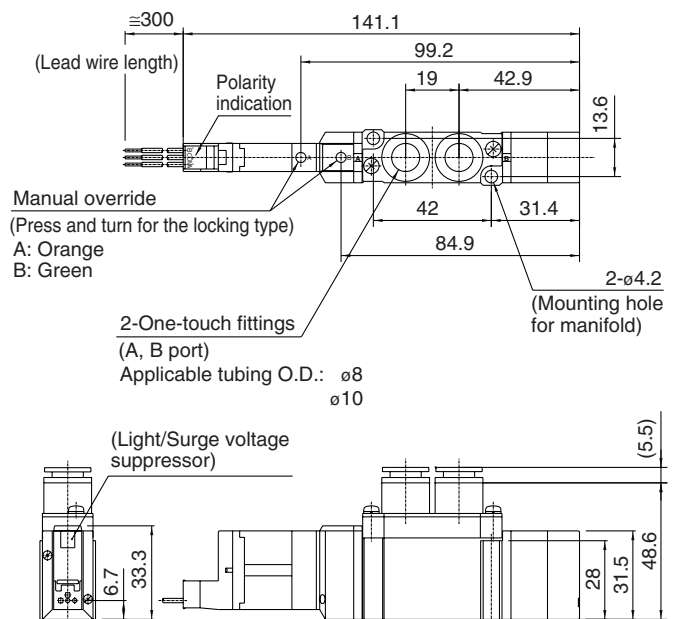
**SX7<sup>3</sup>/<sub>4</sub>20-□<sup>G</sup>□□-02**



**L plug connector (L): SX7<sup>3</sup>/<sub>4</sub>20-□<sup>L</sup>□□-C<sup>8</sup><sub>C10</sub>**



**M plug connector (M): SX7<sup>3</sup>/<sub>4</sub>20-□<sup>M</sup>□□-C<sup>8</sup><sub>C10</sub>**





# Series SX3000/5000/7000 Base Mounted Valve Single Unit

## How to Order

**SX 5 2 40** **5 N L**

**Series**

3	SX3000
5	SX5000
7	SX7000

**Type of actuation**

1	2 position single 
2	2 position double 
3	3 position closed center 
4	3 position exhaust center 
5	3 position pressure center 

**Thread type**

Nil	Rc
F	G
N	NPT
T	NPTF

**Port size**

Symbol	Port size	Applicable series
Nil	Without sub-plate	
01	1/8 With sub-plate	SX3000
02	1/4 With sub-plate	SX5000 SX7000
03	3/8 With sub-plate	SX7000

**Manual override**

**Nil:** Non-locking push type

**D:** Push-turn locking slotted type

**Light/Surge voltage suppressor**

Nil	Without light/surge voltage suppressor
S	With surge voltage suppressor
Z	With light/surge voltage suppressor

**Electrical entry**

Grommet		L plug connector		M plug connector	
<b>G:</b> Lead wire length 300 mm 	<b>L:</b> With lead wire (Length 300 mm) 	<b>M:</b> With lead wire (Length 300 mm) 	<b>MN:</b> Without lead wire 	<b>LO:</b> Without connector 	<b>MO:</b> Without connector 
<b>H:</b> Lead wire length 600 mm 	<b>LN:</b> Without lead wire 				

**Pilot type**

Nil	Internal pilot
R	External pilot

**Rated voltage**

5	24 VDC
6	12 VDC
V	6 VDC
S	5 VDC
R	3 VDC

**Common specifications**

Nil	Positive common
N	Negative common

Note) Put nothing for single grommet style and single without indicator light and surge voltage suppressor.

\* The LN or MN option includes 2 sockets for single solenoid valves and 3 sockets for double solenoid valves.

## Specifications



**Made to Order Specifications**  
(For details, refer to pages  
1-6-124 to 1-6-138.)

Series		SX3000	SX5000	SX7000
Fluid		Air		
Internal pilot Operating pressure range (MPa)	2 position single	0.15 to 0.7		
	2 position double	0.1 to 0.7		
	3 position	0.2 to 0.7		
External pilot Operating pressure range (MPa)	Operating pressure range		-100 kPa to 0.7	
	Pilot pressure range	2 position single	0.25 to 0.7	
		2 position double	0.25 to 0.7	
		3 position	0.25 to 0.7	
Ambient and fluid temperature (°C)		Max. 50		
Max. operating frequency (Hz)	2 position single, double	10	5	5
	3 position	3	3	3
Manual override		Non-locking push type, Push-turn locking slotted type		
Pilot exhaust method	Internal pilot	Common exhaust type for main and pilot valve		
	External pilot	Pilot valve individual exhaust		
Lubrication		Not required		
Mounting orientation		Unrestricted		
Impact/Vibration resistance (m/s <sup>2</sup> ) <sup>Note)</sup>		150/30		
Enclosure		Dusttight		



Note) Impact resistance: No malfunction occurred when it is tested with a drop tester in the axial direction and at the right angles to the main valve and armature in both energized and de-energized states every once for each condition. (Values at the initial period)

Vibration resistance: No malfunction occurred in a one-sweep test between 45 and 2000 Hz. Test was performed at both energized and de-energized states in the axial direction and at the right angles to the main valve and armature. (Values at the initial period)

## Solenoid Specifications

Electrical entry	Grommet (G)/(H), L plug connector (L), M plug connector (M)	
Coil rated voltage (V)	DC	24, 12, 6, 5, 3
Allowable voltage fluctuation	±10% of rated voltage	
Power consumption (W)	DC	0.6 (With indicator light: 0.65)
Surge voltage suppressor	Diode	
Indicator light	LED	

## Response Time



Note) Based on dynamic performance test, JIS B 8375-1981. (Coil temperature: 20°C, at rated voltage)

## SX3000

Type of actuation	Response time (ms) (at the pressure of 0.5 MPa)	
	Without light/surge voltage suppressor	With light/surge voltage suppressor S, Z type
2 position single	12 or less	15 or less
2 position double	10 or less	13 or less
3 position	15 or less	20 or less

## SX5000

Type of actuation	Response time (ms) (at the pressure of 0.5 MPa)	
	Without light/surge voltage suppressor	With light/surge voltage suppressor S, Z type
2 position single	19 or less	26 or less
2 position double	18 or less	22 or less
3 position	32 or less	38 or less

## SX7000

Type of actuation	Response time (ms) (at the pressure of 0.5 MPa)	
	Without light/surge voltage suppressor	With light/surge voltage suppressor S, Z type
2 position single	31 or less	38 or less
2 position double	27 or less	30 or less
3 position	50 or less	56 or less

SV

SZ

SY

SYJ

SX

Series **SX3000/5000/7000**

## Flow Characteristics/Weight

## Model/Series SX3000

Valve model	Type of actuation		Port size	Flow characteristics <sup>(1)</sup>						Weight (g) <sup>(2)</sup>	
				1 → 4/2 (P → A/B)			4/2 → 5/3 (A/B → EA/EB)			Grommet	L plug connector M plug connector
				C [dm <sup>3</sup> /(s·bar)]	b	Cv	C [dm <sup>3</sup> /(s·bar)]	b	Cv		
SX3□40-□-01	2 position	Single	Rc 1/8	1.0	0.30	0.24	1.1	0.30	0.26	100 (66)	101 (67)
		Double		0.77	0.28	0.18	0.85	0.30	0.19	108 (74)	110 (75)
	3 position	Closed center		0.73	0.31	0.18	1.1 [0.55]	0.26 [0.52]	0.24 [0.16]	111 (76)	112 (78)
		Exhaust center		1.2 [0.51]	0.24 [0.45]	0.29 [0.14]	0.89	0.47	0.24		
		Pressure center									



Note 1) [ ]: Denotes the normal position.  
 Note 2) ( ): Without sub-plate.

## Model/Series SX5000

Valve model	Type of actuation		Port size	Flow characteristics <sup>(1)</sup>						Weight (g) <sup>(2)</sup>	
				1 → 4/2 (P → A/B)			4/2 → 5/3 (A/B → EA/EB)			Grommet	L plug connector M plug connector
				C [dm <sup>3</sup> /(s·bar)]	b	Cv	C [dm <sup>3</sup> /(s·bar)]	b	Cv		
SX5□40-□-02	2 position	Single	Rc 1/4	2.4	0.41	0.64	2.8	0.29	0.66	136 (74)	137 (75)
		Double		1.8	0.47	0.50	1.8	0.40	0.47	144 (82)	145 (83)
	3 position	Closed center		1.4	0.55	0.44	3.0 [1.2]	0.33 [0.48]	0.72 [0.37]	149 (87)	151 (89)
		Exhaust center		3.3 [0.84]	0.36 [0.60]	0.85 [0.28]	1.8	0.40	0.48		
		Pressure center									



Note 1) [ ]: Denotes the normal position.  
 Note 2) ( ): Without sub-plate.

## Model/Series SX7000

Valve model	Type of actuation		Port size	Flow characteristics <sup>(1)</sup>						Weight (g) <sup>(2)</sup>	
				1 → 4/2 (P → A/B)			4/2 → 5/3 (A/B → EA/EB)			Grommet	L plug connector M plug connector
				C [dm <sup>3</sup> /(s·bar)]	b	Cv	C [dm <sup>3</sup> /(s·bar)]	b	Cv		
SX7□40-□-02	2 position	Single	Rc 1/4	4.1	0.41	1.1	4.1	0.29	1.0	222 (100)	223 (101)
		Double		3.0	0.43	0.80	2.6	0.41	0.72	229 (107)	231 (109)
	3 position	Closed center		2.6	0.42	0.71	4.7 [1.7]	0.35 [0.48]	1.1 [0.49]	238 (116)	240 (118)
		Exhaust center		5.3 [2.3]	0.39 [0.49]	1.3 [0.65]	2.2	0.49	0.63		
		Pressure center									
SX7□40-□-03	2 position	Single	Rc 3/8	4.9	0.29	1.2	4.5	0.27	1.1	222 (100)	223 (101)
		Double		3.0	0.40	0.80	2.6	0.45	0.73	229 (107)	231 (109)
	3 position	Closed center		2.6	0.42	0.71	4.8 [1.7]	0.35 [0.48]	1.1 [0.49]	238 (116)	240 (118)
		Exhaust center		5.3 [2.3]	0.31 [0.51]	1.3 [0.64]	2.3	0.45	0.66		
		Pressure center									



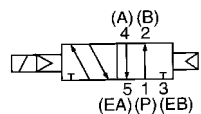
Note 1) [ ]: Denotes the normal position.  
 Note 2) ( ): Without sub-plate.

## Construction

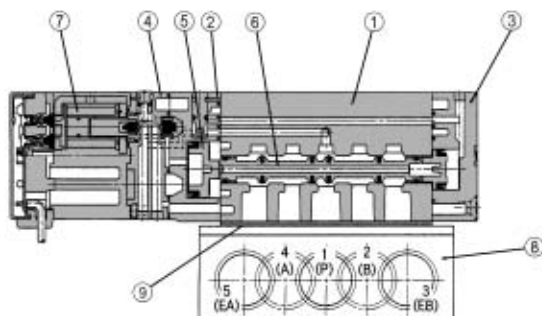
### Series SX

#### JIS Symbol

2 position single

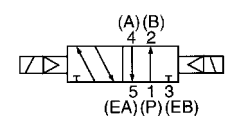


#### 2 position single

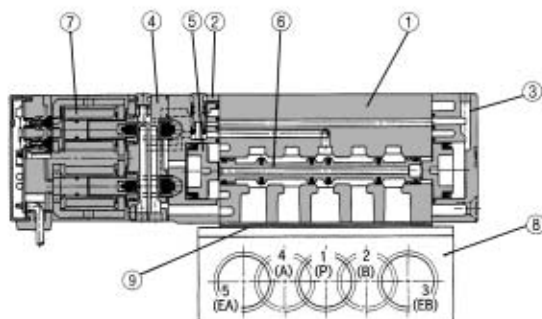


#### JIS Symbol

2 position double

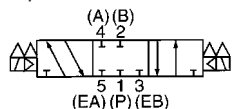


#### 2 position double

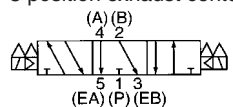


#### JIS Symbol

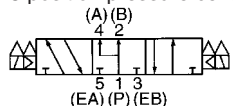
3 position closed center



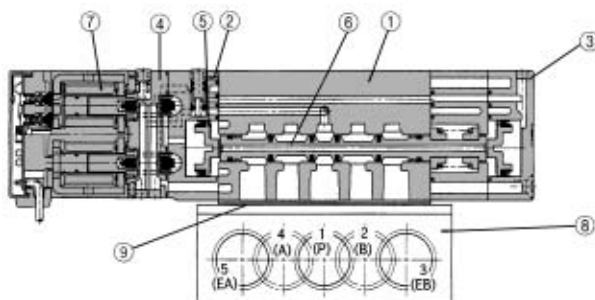
3 position exhaust center



3 position pressure center



#### 3 position closed center/exhaust center/pressure center



(This figure shows a closed center type.)

### Component Parts

No.	Description	Material	Note
①	Body	Aluminum die-casted (SX3000: Zinc die-casted)	White
②	Adapter plate	Resin	White
③	End plate	Resin	White
④	Pilot body	Resin	White
⑤	Piston	Resin	—
⑥	Spool valve assembly	Aluminum, HNBR	—
⑦	Molded coil	Resin	Gray

### Replacement Parts

No.	Description	Part no.			Note
		SX3□40	SX5□40	SX7□40	
⑧	Sub-plate	SY3000-27-1	SY5000-27-1	1/4 Rc: SY7000-27-1 3/8 Rc: SY7000-27-2	Aluminum die-casted
⑨	Gasket	SY3000-11-25	SY5000-11-15	SY7000-11-11	HNBR
—	Round head combination screw	SX3000-22-2 (M2 x 24)	M3 x 30	M4 x 35	For valve mounting (Matt nickel plated)

## How to Order Connector Assembly for L/M Plug Connector

### Positive common specifications

For single solenoid: **SX100-40-4S**

For double solenoid, **SX100-40-4D**

3 position: **SX100-41-4S**

For single solenoid: **SX100-41-4S**

For double solenoid, **SX100-41-4D**

3 position: **SX100-41-4D**

### Lead wire length

Lead wire length	Part no.
Nil	300 mm
6	600 mm
10	1000 mm
15	1500 mm
20	2000 mm
25	2500 mm
30	3000 mm
50	5000 mm



For detailed information on connector assembly, refer to page 1-6-8.

SV

SZ

SY

SYJ

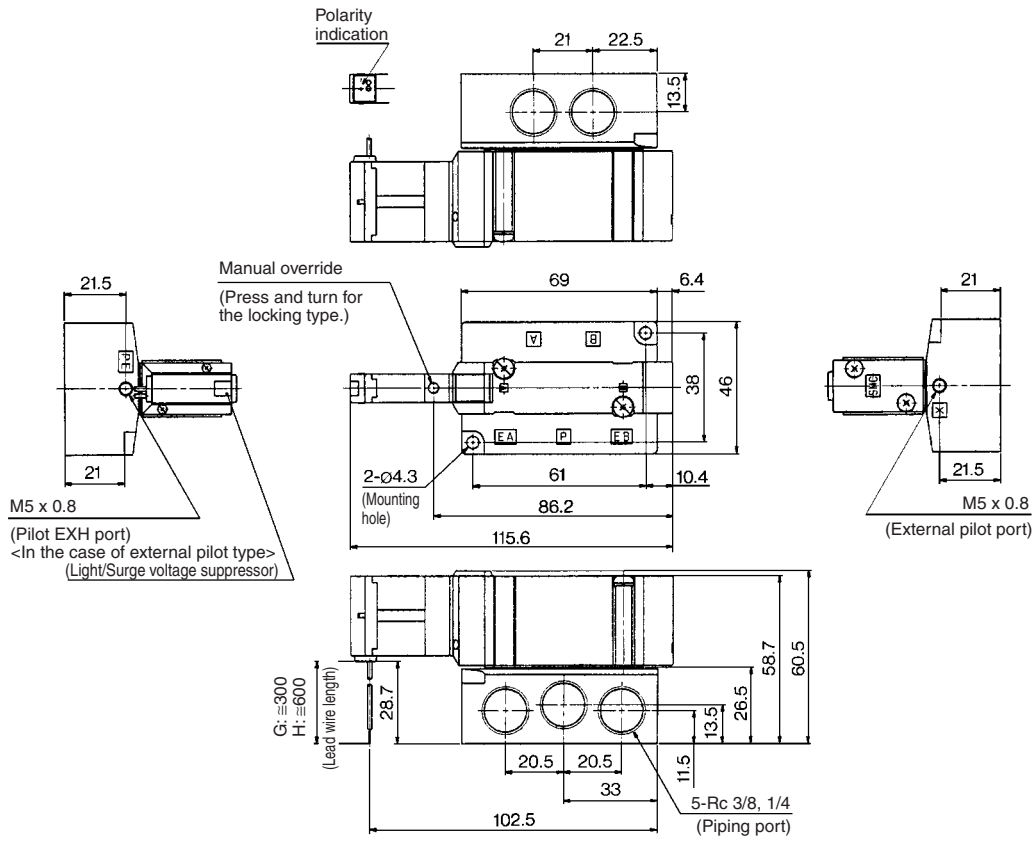
SX

Series **SX3000/5000/7000**

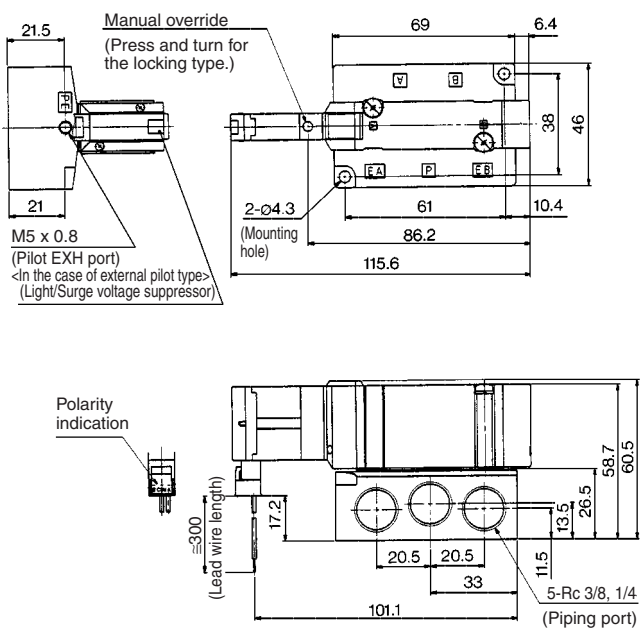
Dimensions: Series **SX7000**

2 position single

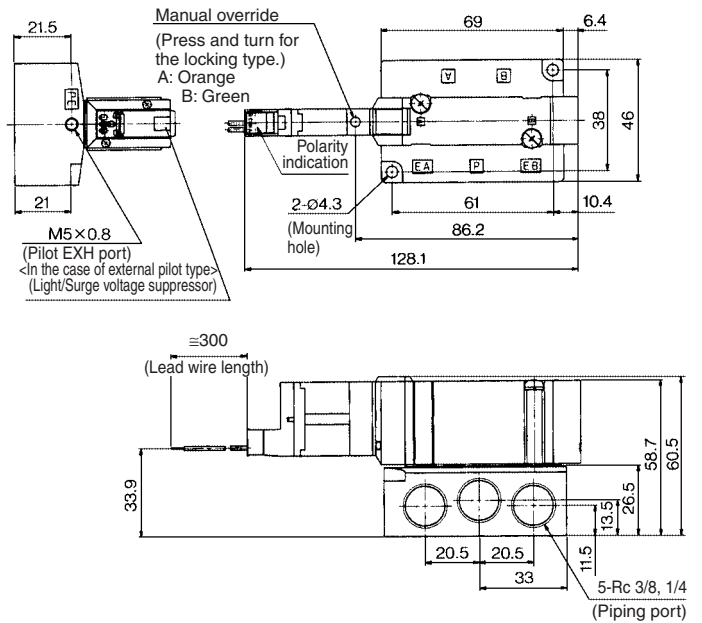
Grommet (G), (H): **SX7140(R)-□<sup>G</sup>□□-<sup>02</sup><sub>03</sub>**



L plug connector (L): **SX7140(R)-□L□□-<sup>02</sup><sub>03</sub>**

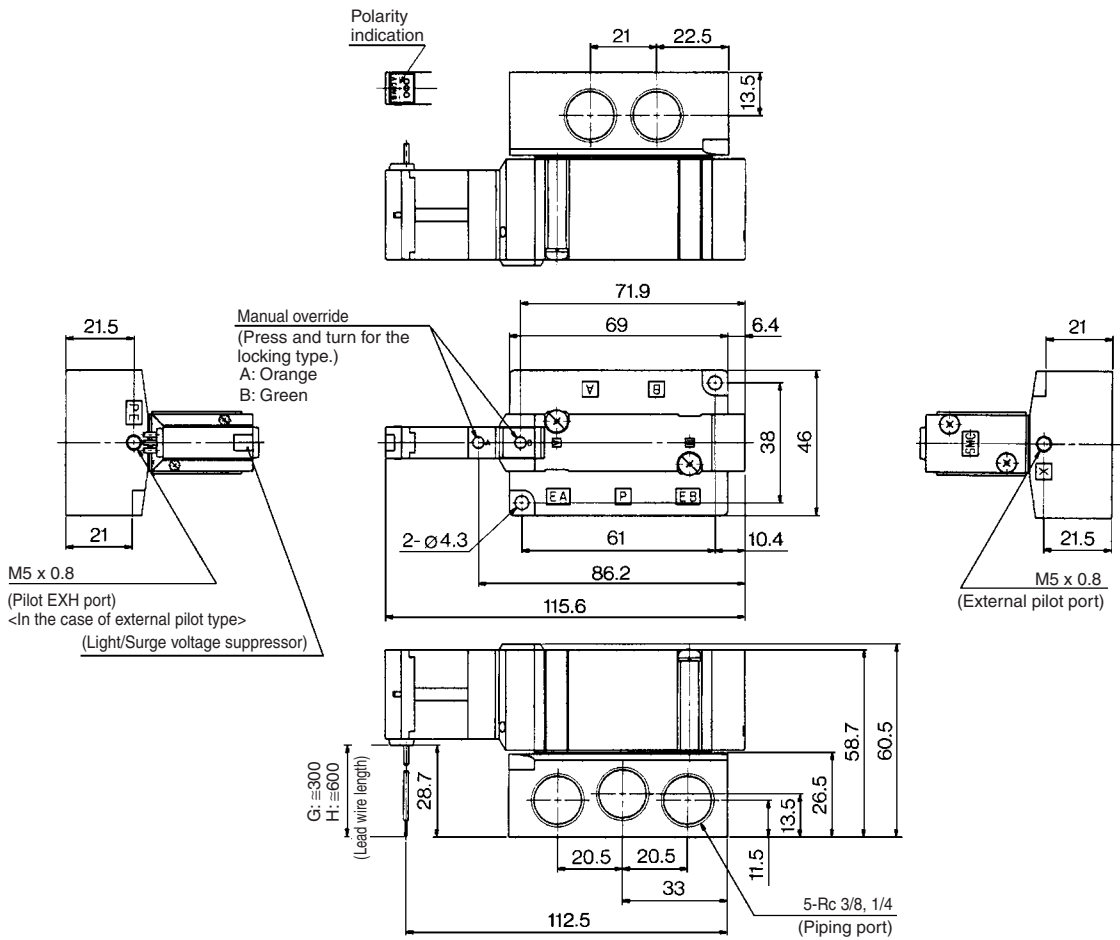


M plug connector (M): **SX7140(R)-□M□□-<sup>02</sup><sub>03</sub>**



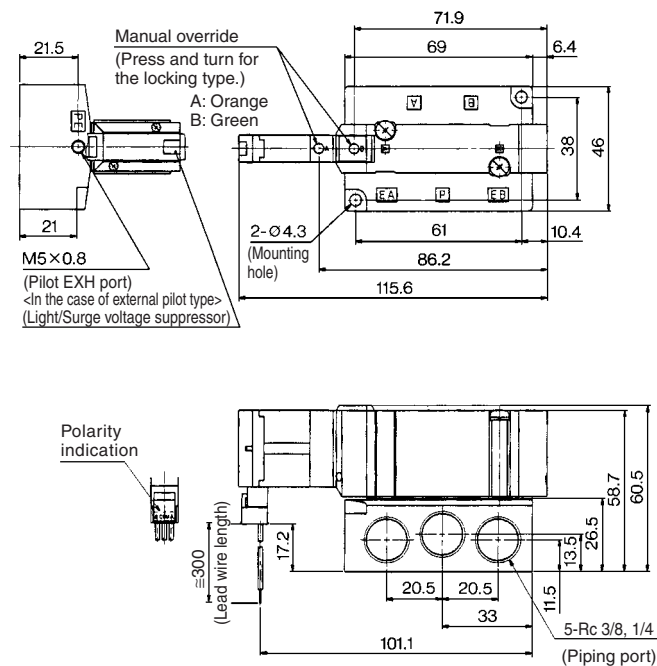
2 position double

Grommet (G), (H): **SX7240(R)-□<sup>G</sup>□□-02**

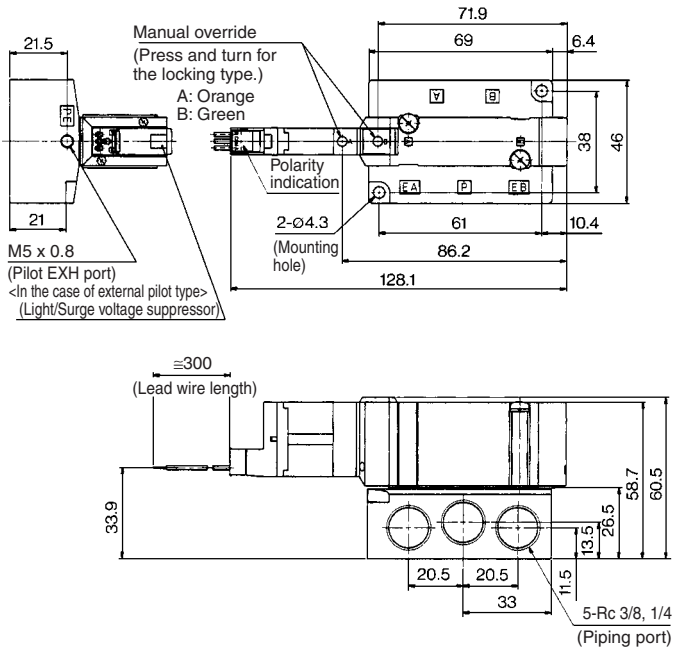


- SV
- SZ
- SY
- SYJ
- SX

L plug connector (L): **SX7240(R)-□L□□-02**



M plug connector (M): **SX7240(R)-□M□□-02**

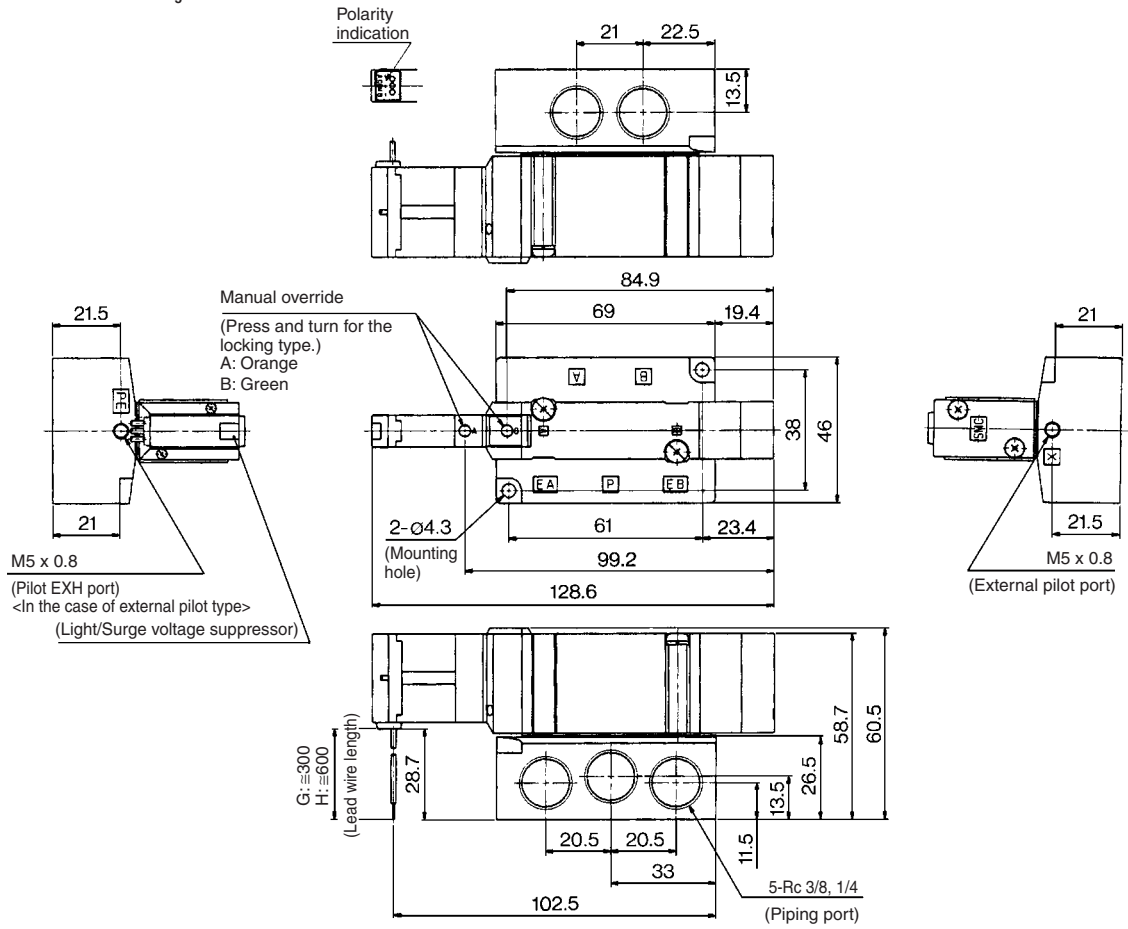


Series **SX3000/5000/7000**

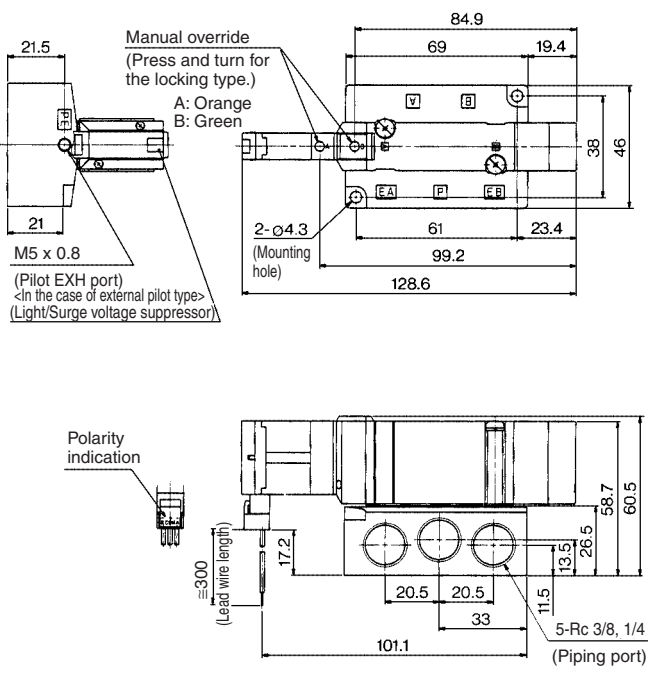
Dimensions: Series **SX7000**

3 position closed center/exhaust center/pressure center

Grommet (G), (H): **SX<sub>7</sub><sup>3</sup><sub>4</sub>40(R)-□<sup>G</sup>□□-<sup>02</sup><sub>03</sub>**



L plug connector (L): **SX<sub>7</sub><sup>3</sup><sub>4</sub>40(R)-□L□□-<sup>02</sup><sub>03</sub>**



M plug connector (M): **SX<sub>7</sub><sup>3</sup><sub>4</sub>40(R)-□M□□-<sup>02</sup><sub>03</sub>**

