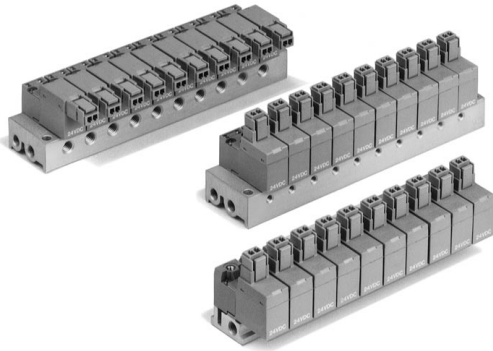


Series SY100 Manifold

Specifications



Type		30 ⁽⁴⁾	31	S41
Manifold style		Single base style, B mount		
P (SUP)/R (EXH) style		Common SUP/Common EXH		
Valve stations		2 to 10 stations	2 to 20 stations	
A porting	Location	Valve		Base
	Direction	Top		Side
Port size	P, R port	M5 X 0.8		
	A port	M3 X 0.5	M3 X 0.5, M5 X 0.8	
Valve effective area mm ² (Cv factor) ⁽¹⁾	SY1□3	0.14 (0.008)	—	
	SY1□3A	0.21 (0.012)	—	
	SY1□4	—	0.13 (0.007)	
	SY1□4A	—	0.2 (0.011)	



Note 1) When mounted on manifold base

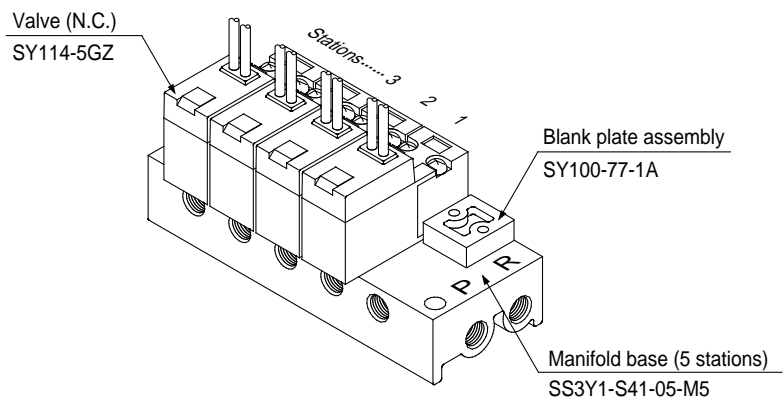
Note 2) SY114 (A) and SY124 (A) can not be mounted on the same manifold.

Note 3) Supply to R port and exhaust from P port for SY124 (A).

Note 4) 30 Type is applicable only for SY113 and SY113A. Piping to exhaust port is not possible.

How to Order Manifold Base (Ordering Example)

Example



SS3Y1-S41-05-M5.....1set (S41 type 5-station manifold part number)

* **SY100-77-1A**1set (Blank plate assembly part number)

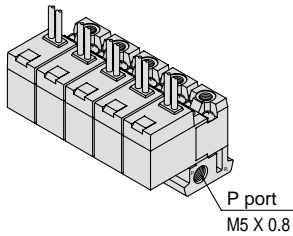
* **SY114-5GZ**.....4set (Valve)

↳ *: Assembly symbol prefix "*" mark to the installed solenoid valve part number.

List part numbers of the installed valve and option in required station location separately under manifold part number.

Common SUP/Common EXH

30 Type



How to Order

SS3Y1 - 30 - 05 - F

● Stations

02	2 stations
⋮	⋮
10	10 stations

Applicable solenoid valve ⁽¹⁾

SY113-□□□□-M3

SY113A-□□□□-M3

Applicable blank plate

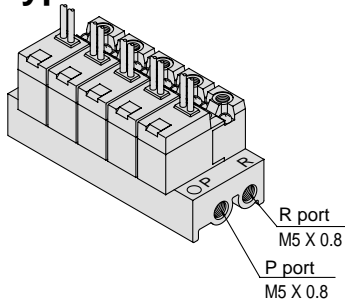
assembly

SY100-77-1A



Note 1) Piping to exhaust port not possible.

31 Type



How to Order

SS3Y1 - 31 - 05

● Stations

02	2 stations
⋮	⋮
20	20 stations

Applicable solenoid valve ⁽¹⁾

SY113-□□□□-M3

SY113A-□□□□-M3

SY123-□□□□-M3

SY123A-□□□□-M3

Applicable blank plate

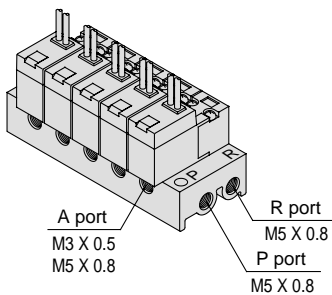
assembly

SY100-77-1A



Note 1) SY113 (A) and SY123 (A) cannot be mounted on the same manifold.

S41 Type



How to Order

SS3Y1 - S41 - 05 - M3

● Stations

02	2 stations
⋮	⋮
20	20 stations

● A port size

M3	M3 X 0.5
M5	M5 X 0.8

Applicable solenoid valve ⁽¹⁾

SY114-□□□□

SY114A-□□□□

SY124-□□□□

SY124A-□□□□

Applicable blank plate

assembly

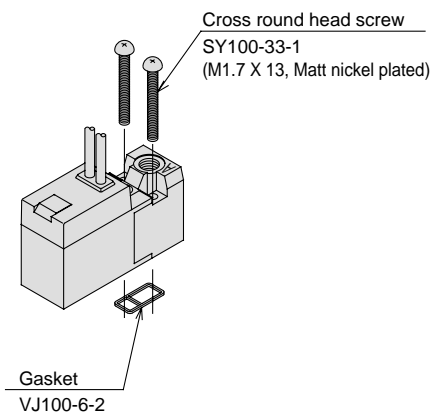
SY100-77-1A



Note 1) SY114 (A) and SY124 (A) cannot be mounted on the same manifold.

Combination with Solenoid Valve and Gasket Manifold Base

Body ported

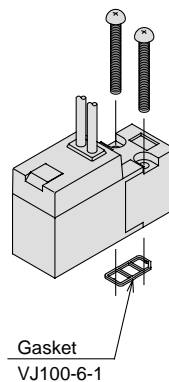


Applicable base

Sub-plate (For body ported style)

SS3Y1-30 type }
SS3Y1-31 type } Manifold base

Base mounted



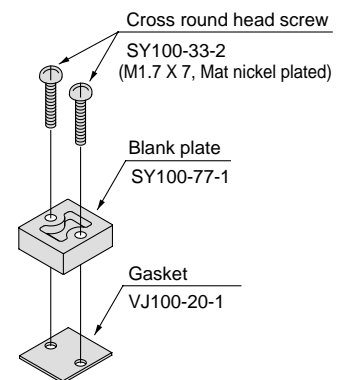
Applicable base

Sub-plate

SS3Y1-S41 type manifold base

Blank Plate Assembly

Parts No.: SY100-77-1A



Applicable base

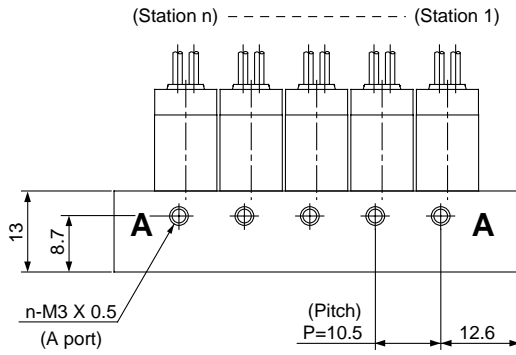
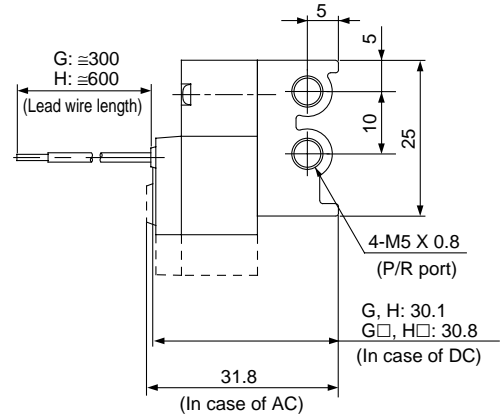
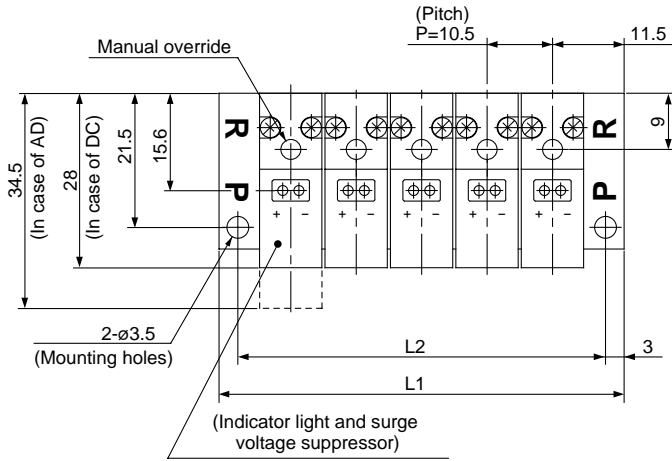
Sub-plate

SS3Y1- 30 type }
SS3Y1- 31 type } Manifold base
SS3Y1- S41 type }

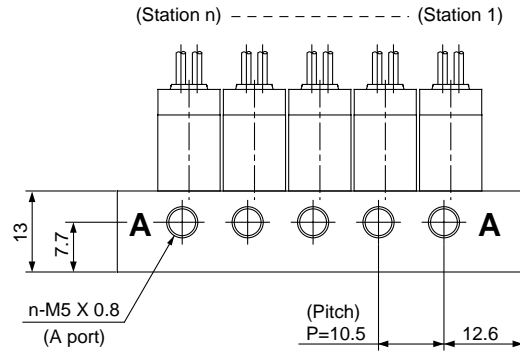
Series SY100

S41 Type Manifold: Side Ported/SS3Y1-S41-Station-M3/M5

Grommet (G), (H)

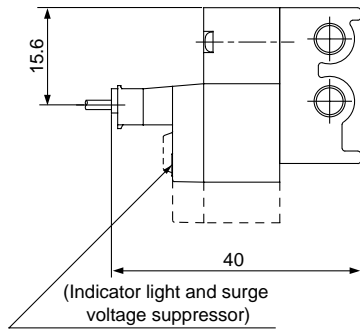


In case of M3

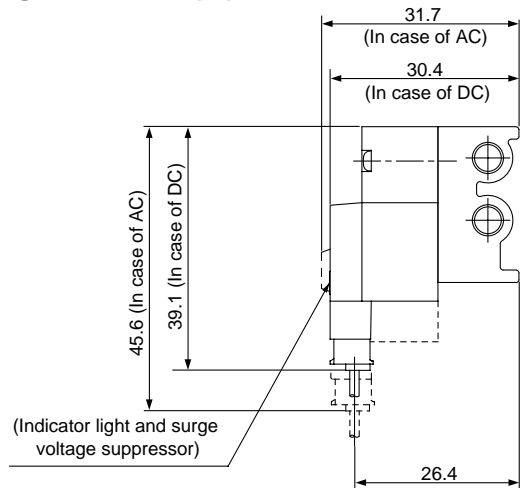


In case of M5

L plug connector (L)



M plug connector (M)



* Other dimensions are same as grommet style.

* Other dimensions are same as grommet style.

Station	2	3	4	5	6	7	8	9	10	11	12	13	14	15	16	17	18	19	20
L1	33.5	44	54.5	65	75.5	86	96.5	107	117.5	128	138.5	149	159.5	170	180.5	191	201.5	212	222.5
L2	27.5	38	48.5	59	69.5	80	90.5	101	111.5	122	132.5	143	153.5	164	174.5	185	195.5	206	216.5