

ON 9A0

△ MODEL NO.  
SY5100-5\*1-M9\*W\*\*PC-X32

CONNECTOR SPECIFICATIONS

- A : M8-3 PINS
- B : M8-4 PINS
- D : M12-4 PINS

CABLE LENGTH

- S : 0.5m
- M : 1.0m

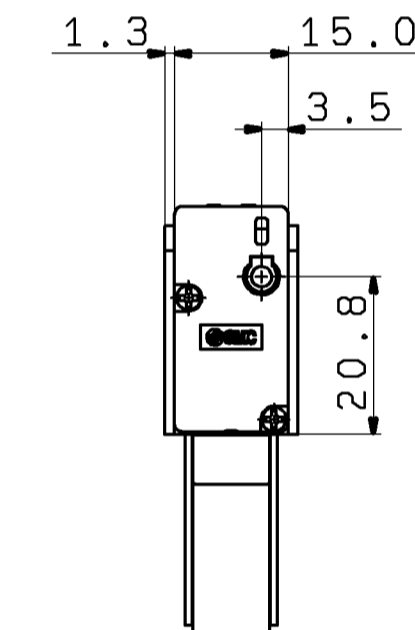
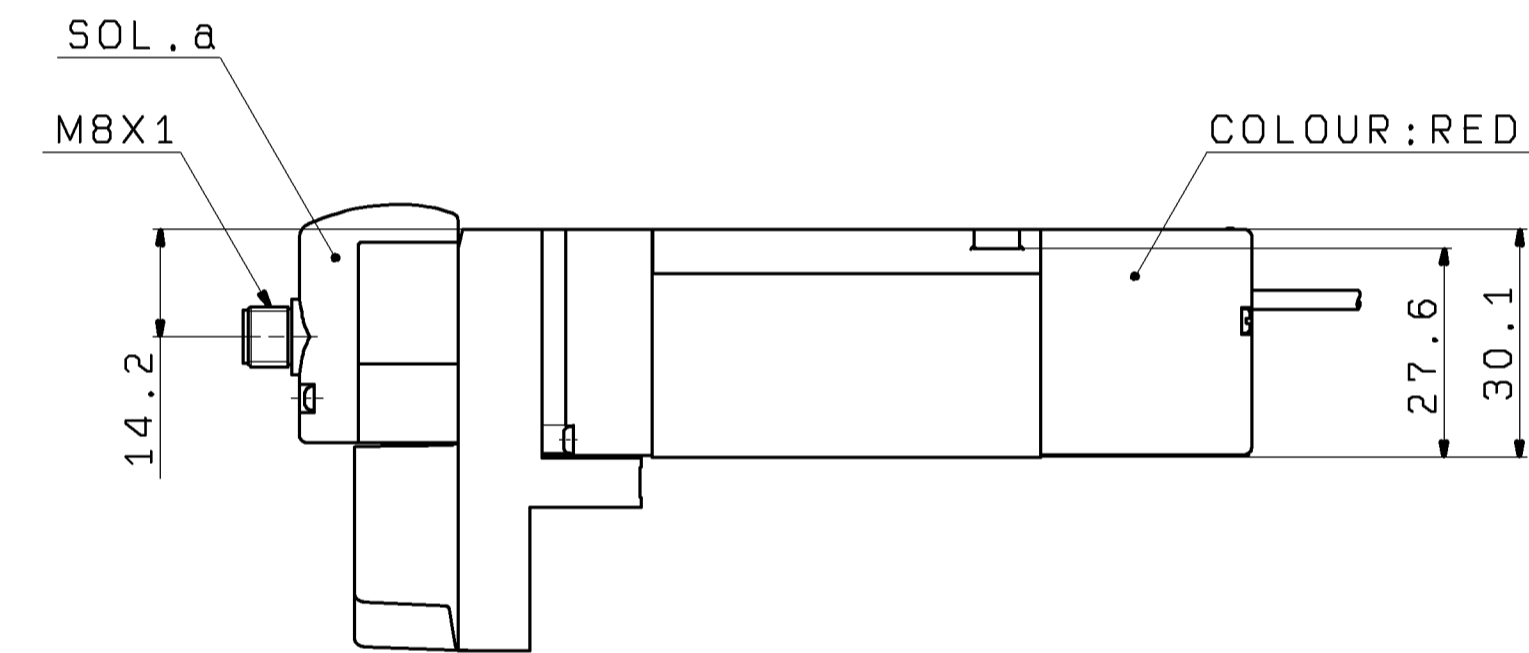
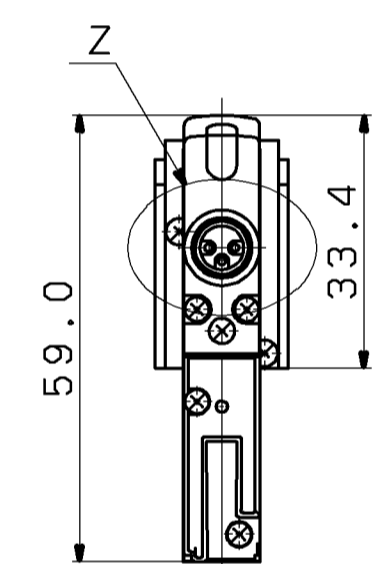
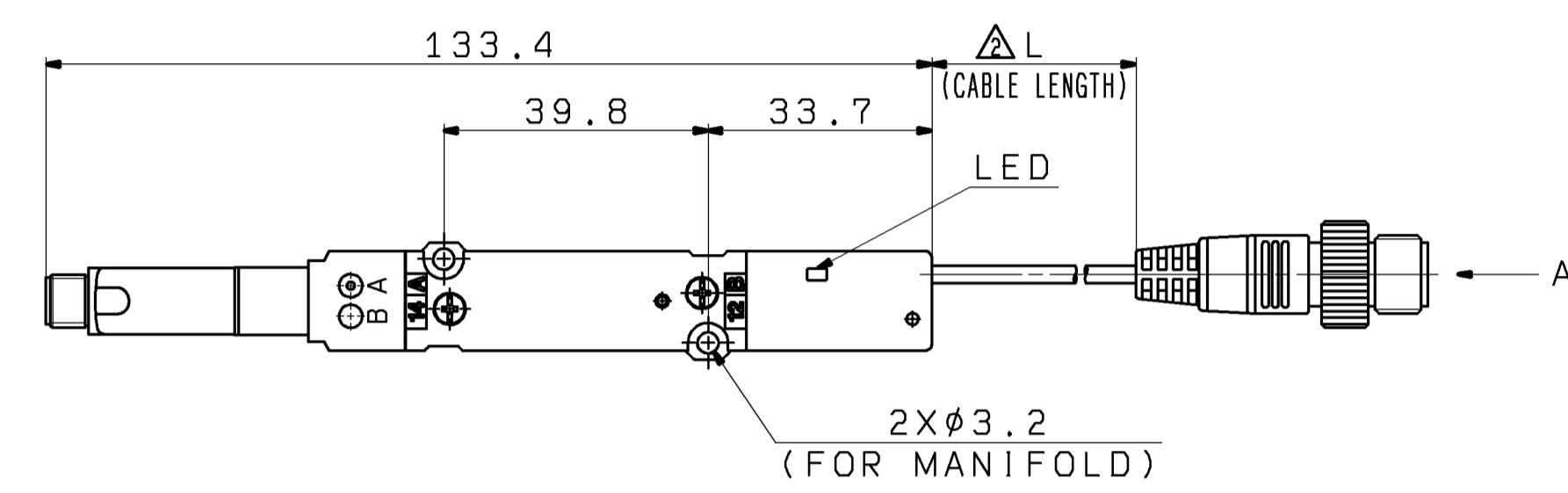
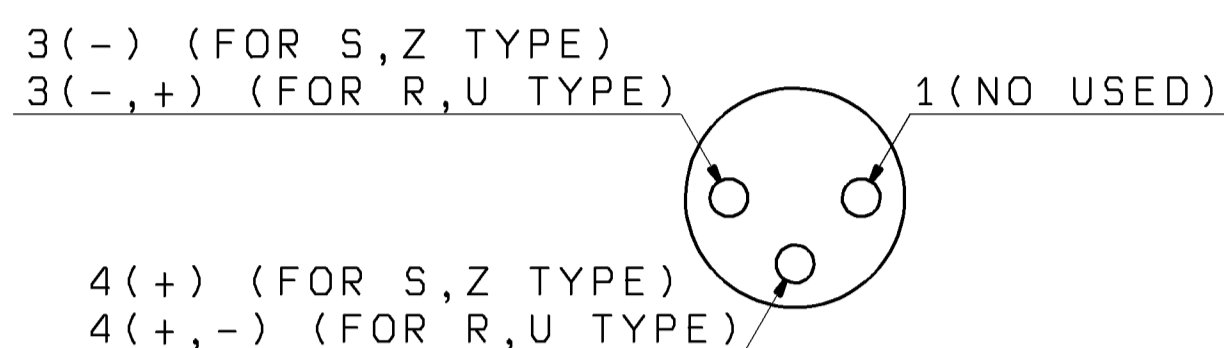
WIRING AND OUTPUT TYPE

- N : 3-WIRE, NPN
- P : 3-WIRE, PNP
- B : 2-WIRE

LIGHT/SURGE VOLTAGE SUPPRESSOR AND COMMON SPECIFICATION

- NIL: WITHOUT LIGHT/SURGE VOLTAGE SUPPRESSOR (NON-POLAR)
- R : WITH SURGE VOLTAGE SUPPRESSOR (NON-POLAR)
- U : WITH LIGHT/SURGE VOLTAGE SUPPRESSOR (NON-POLAR)
- S : WITH SURGE VOLTAGE SUPPRESSOR (POLAR TYPE)
- Z : WITH LIGHT/SURGE VOLTAGE SUPPRESSOR (POLAR TYPE)

DETAIL OF Z



RATED VOLTAGE : 24VDC

SPECIAL REQUIRMENT

- 1.EXTERNAL PILOT PRESSURE CONTROL (SPECIAL AIR PASSAGE)
- 2.AUTO SWITCH SPOOL DETECTION (AUTO SWITCH SIGNAL OUT AT VALVE OFF POSITION)
- △ 3.CONNECTOR FOR AUTO SWITCH : M8 OR M12
- 4.RETURN SPRING FOR SPOOL
- 5.SPECIAL END PLATE COLOUR : RED
- △ 6.LIFE TIME B10=8.2 MILLION CYCLES

NOTES

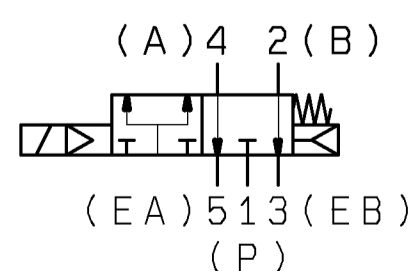
- △ 1.THIS DRAWING SHOWS THE CASE OF "SY5100-5Z1-M9PWS\*PC-X32"
- 2.WHEN THE AIR SUPPLY IS CUT,THE MAIN VALVE RETURNS TO THE ORIGINAL(OFF) POSITION.
- 3.SY50M-2-14A:INSTALL IN THE MANIFOLD BLOCK AND USE IT.
- 4.FOR DETAILS OF THE PRODUCT SPECIFICATIONS, PLEASE REFER TO THE STANDARD CATALOG.
- 5.FOR DETAILS OF THE AUTO SWITCH SPECIFICATIONS, PLEASE REFER TO D-M9\* CATALOG.
- 6.UNLESS OTHERWISE NOTED ALONG WITH A SEPARATE CONTRACT OR AGREEMENT WITHIN THE PRODUCT SPECIFICATIONS, THE SAFETY INSTRUCTIONS SPECIFIED IN THE PRODUCT CATALOG ARE APPLIED.PLEASE CONTACT YOUR LOCAL SMC SALES OFFICE FOR FURTHER DETAILS.
- 7.DIMENSIONS ARE IN MILLIMETERS.
- 8.CE MARKED PRODUCT.

VIEW AT A

Connector Specifications

Connector	M8-3pins	M8-4pins	M12-4pins
Pin arrangement			

SYMBOL



5	ADD SPECIFICATIONS	2024-02-20	M. NIMI	DOC1070604	FINISH	
1	CORRECT B10 VALUE	2016-06-03	K. MATSUDA	SY5000V-DM0005	PAINT	
-	INITIAL RELEASE	2016-03-14	K. MATSUDA	-	MASS	
REV	QTY	DESCRIPTION	DATE	PREPARED	REV NO	MODEL
TOLERANCES JIS B 0405		GRADE	DATE	SCALE	MATERIAL	THIRD ANGLE
RANGE (mm)	F	M	C	DATE	2024-02-20	FREE
0.5~0.63	0.05	0.1	0.2	DESIGNED	M. NIMI	DWG NAME
3~0.6	0.05	0.1	0.3	DATE	2024-02-20	5 PORT SOLENOID VALVE
6~0.630	0.1	0.2	0.5	CHECKED	R. KANEKO	DWG NO
30~0.6120	0.15	0.3	0.8	DATE	2024-02-20	REVISON
120~0.6400	0.2	0.5	1.2	APPROVED	T. FUJIWARA	△ (A) SY5100-5*1-M9*W**PC-X32
400~0.61000	0.3	0.8	2	DATE	2024-02-21	2
1000~0.62000	0.5	1.2	3			