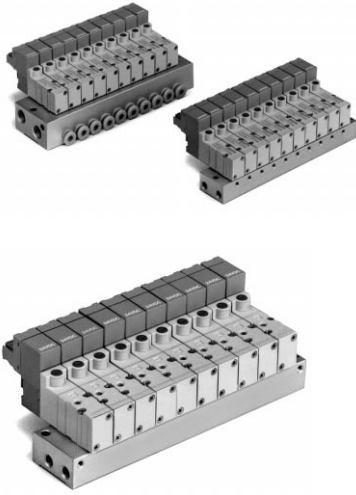



# Series SYJ300 Manifold



## Manifold Specifications

Type	For internal pilot	20	41, S41	42, S42
	For external pilot	20R	—	42R, S42R
Manifold style	Single base style/B mount			
P(SUP)/R(EXH) style	Common SUP/Common EXH			
Valve stations	2 to 20 stations			
A port specifications	Location	Valve	Base	
	Direction	Top	Side	
Port size	P/R port	Rc(PT) <sup>1</sup> / <sub>8</sub> M5 X 0.8	M5 X 0.8	Rc (PT) <sup>1</sup> / <sub>8</sub>
	A port	M3 X 0.5	M3 X 0.5	M5 X 0.8 C4 (ø4 One-touch fitting)
	X port <sup>(1)</sup>	M5 X 0.8	—	M5 X 0.8
Valve effective area (mm <sup>2</sup> ) (Cv) <sup>(2)</sup>	Body ported SYJ3□2/SYJ3□2R	0.9 (0.05)	—	
	Base mounted SYJ3□4/SYJ3□4R	—	1.5(0.08)	

 Note 1) Only for external pilot  
Note 2) Value when used on a manifold

## How to Order Manifold Assembly

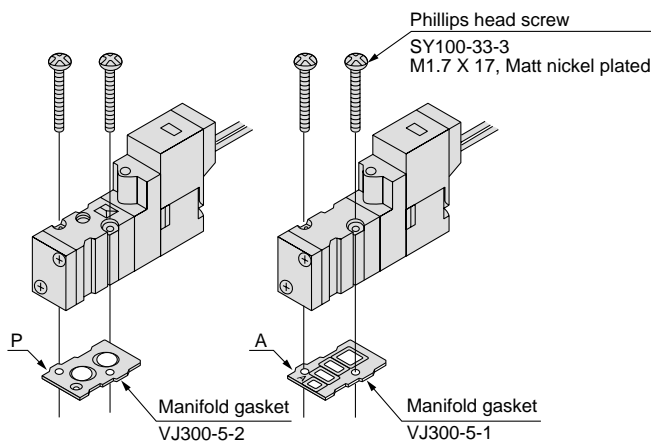
Specify the part numbers for the valve(s), blank plate assembly, and manifold base.

Example:

**SS3YJ3-20-03** .....1 pc. (Manifold base)      **SS3YJ3-42R-03-C4** .....1 pc. (Manifold base)  
**SYJ312-5LZ-M3** .....2 pcs. (Valve)              **SYJ314R-5G** .....2 pcs. (Valve)  
**SYJ300-10-1A** .....1 pc. (Blank plate ass'y)      **SYJ300-10-2A** .....1 pc. (Blank plate ass'y)

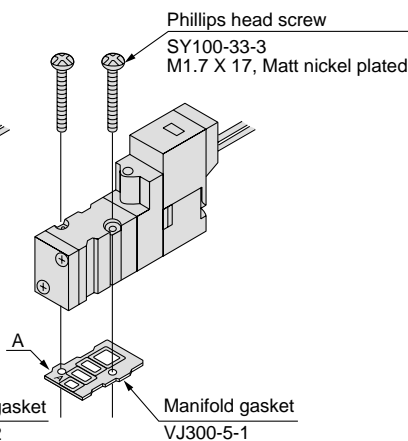
## Combinations of Solenoid Valve, Manifold Gasket and Manifold Base

### Body ported (SYJ3□2)



**Applicable base**  
SS3YJ3-20  
SS3YJ3-20R } Manifold base

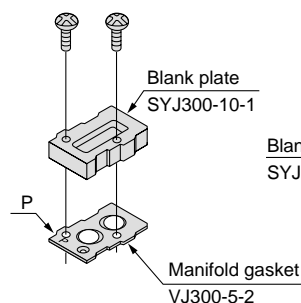
### Base mounted (SYJ3□4)



**Applicable base**  
**Sub-plate**  
SS3YJ3-41  
SS3YJ3-S41  
SS3YJ3-42  
SS3YJ3-S42  
SS3YJ3-42R  
SS3YJ3-S42R } Manifold base

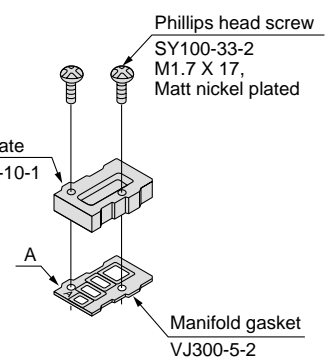
## Blank Plate Assembly

### SYJ300-10-1A



**Applicable base**  
SS3YJ3-20  
SS3YJ3-20R } Manifold base

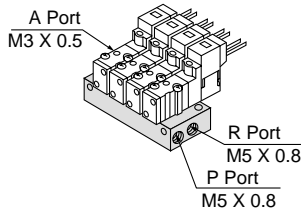
### SYJ300-10-2A



**Applicable base**  
**Sub-plate**  
SS3YJ3-41  
SS3YJ3-S41  
SS3YJ3-42  
SS3YJ3-S42  
SS3YJ3-42R  
SS3YJ3-S42R } Manifold base

## Manifolds for Internal Pilot

### 20 Type



#### How to Order

**SS3YJ3-20-05**

Stations		Bracket	
02	2 stations	-	Without bracket
⋮	⋮	F	With bracket
20	20 stations		

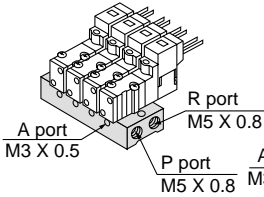
**Applicable solenoid valve**  
 SYJ312-□□□□-M3  
 SYJ312M-□□□□-M3  
 SYJ322-□□□□-M3  
 SYJ322M-□□□□-M3

**Applicable blank plate ass'y**  
 SYJ300-10-1A

Note) If more than 10 stations, supply air to both sides of "P" port and exhaust air from both sides of "R" port.

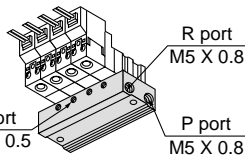
### 41 Type

#### 41 Type



#### S41 Type

(Coil is located on same side as the A port.)



#### Valve mounting direction

-	Coil is located on the opposite side of the A port.
S	Coil is located on same side as the A port.

#### Stations

02	2 stations
⋮	⋮
20	20 stations

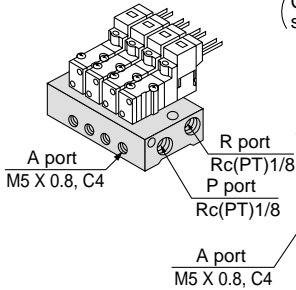
**Applicable solenoid valve**  
 SYJ314-□□□□  
 SYJ314M-□□□□  
 SYJ324-□□□□  
 SYJ324M-□□□□

**Applicable blank plate ass'y**  
 SYJ300-10-2A

Note) If more than 10 stations, supply air to both sides of "P" port and exhaust air from both sides of "R" port.

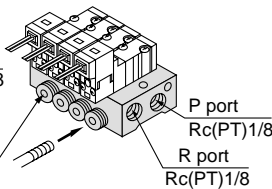
### 42 Type

#### 42 Type



#### S42 Type

(Coil is located on same side as the A port.)



#### Valve mounting direction

-	Coil is located on the opposite side of the A port.
S	Coil is located on same side as the A port.

#### Stations

02	2 stations
⋮	⋮
20	20 stations

#### A port side

M5	M5 X 0.8
C4	ø4 One-touch fitting

**Applicable solenoid valve**  
 SYJ314-□□□□  
 SYJ314M-□□□□  
 SYJ324-□□□□  
 SYJ324M-□□□□

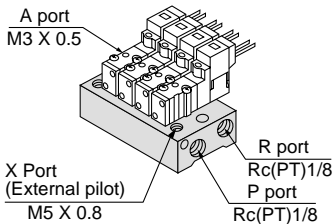
**Applicable blank plate ass'y**  
 SYJ300-10-2A

Note) If more than 8 stations, supply air to both sides of "P" Port and exhaust air from both sides of "R" port.

## Manifolds for External Pilot

Pilot valve pressure is isolated from main valve pressure through a separate supply line. This is suitable for vacuum (up to -100kPa) and low pressure 0.15MPa applications.

### 20R Type



#### How to Order

**SS3YJ3-20R-05**

Stations	
02	2 stations
⋮	⋮
20	20 stations

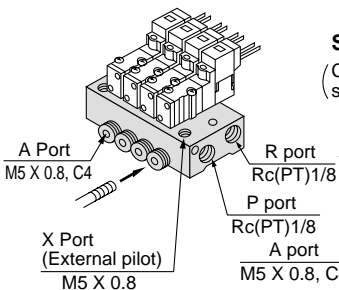
**Applicable solenoid valve**  
 SYJ312R-□□□□  
 SYJ322R-□□□□

**Applicable blank plate ass'y**  
 SYJ300-10-1A

Note) If more than 10 stations, supply air to both sides of "P" or "R" port and exhaust air from both sides of "R" or "P" port.

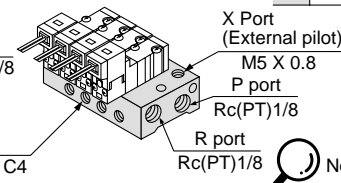
### 42R Type

#### 42R Type (External pilot)



#### S42R Type

(Coil is located on same side as the A port.)



#### Valve mounting direction

-	Coil is located on the opposite side of the A port.
S	Coil is located on same side as the A port.

#### Stations

02	2 stations
⋮	⋮
20	20 stations

#### A port side

M5	M5 X 0.8
C4	ø4 One-touch fitting

**Applicable solenoid valve**  
 SYJ314R-□□□□  
 SYJ324R-□□□□

**Applicable blank plate ass'y**  
 SYJ300-10-2A

Note) If more than 8 stations, supply air to both sides of "P" or "R" port and exhaust air from both sides of "R" or "P" port.

SY

SYJ

VK

VZ

VT

VT

VP

VG

VP

VQ

VQZ

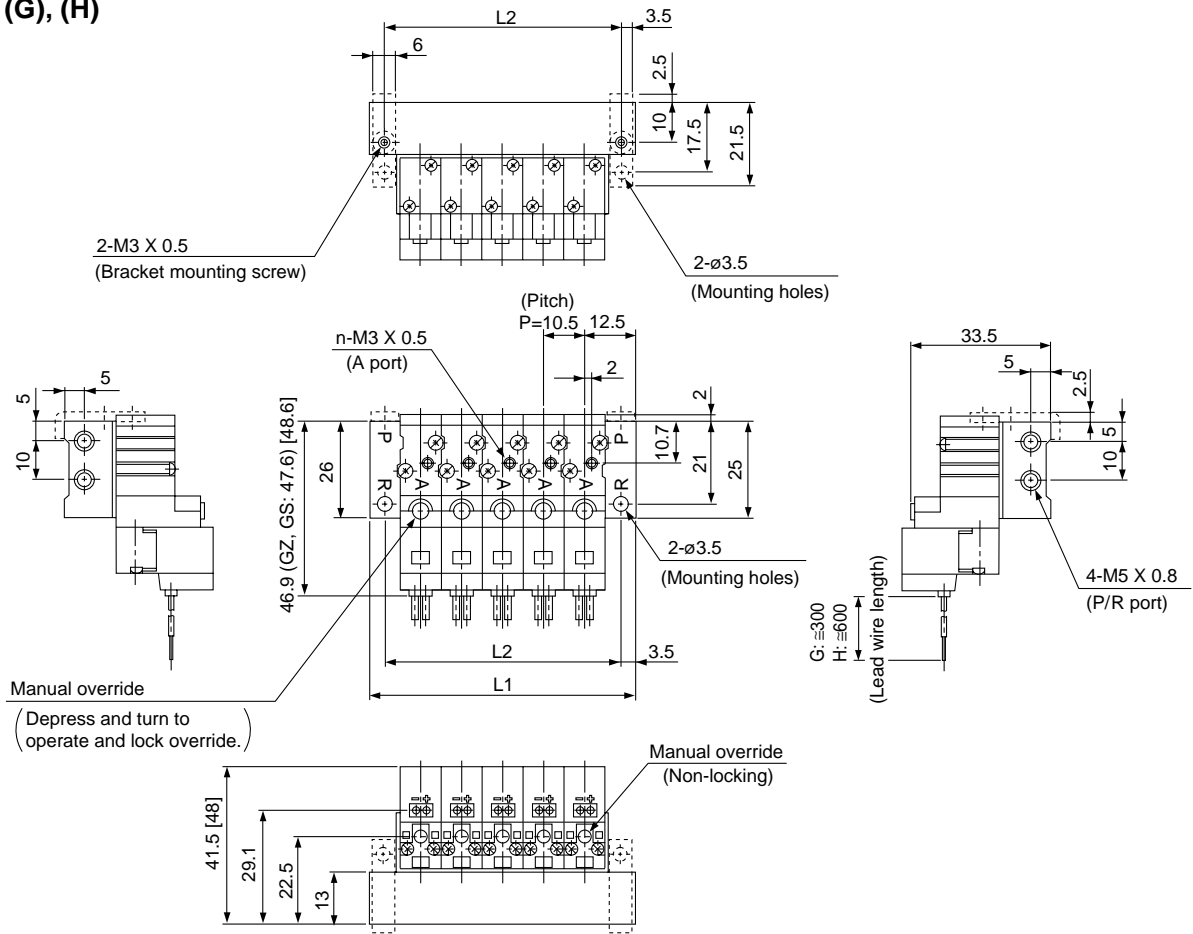
VZ

VS

# Series SYJ300

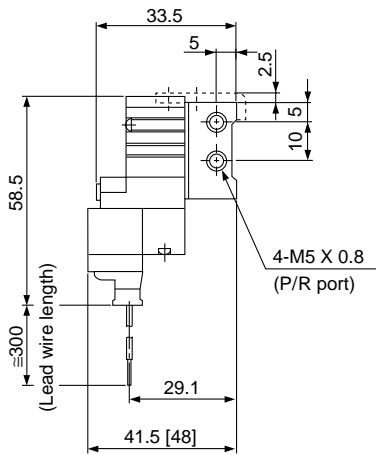
## 20 Type Manifold: Top Ported/SS3YJ3-20-Station

### Grommet (G), (H)

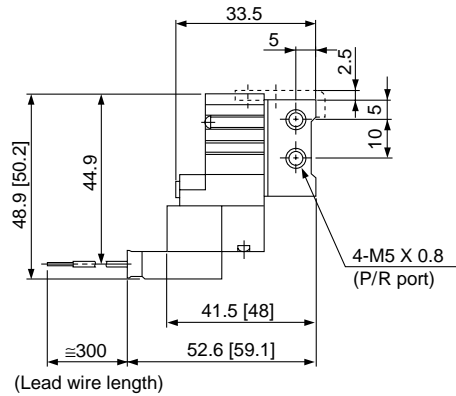


\* [ ] for AC

### L plug connector (L)



### M plug connector (M)



\* [ ] for AC

\* Other dimensions are the same as the grommet.



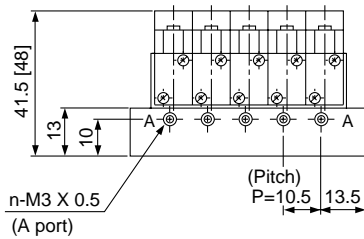
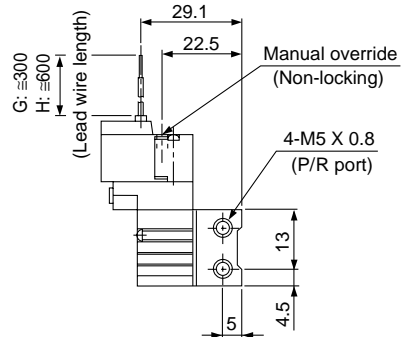
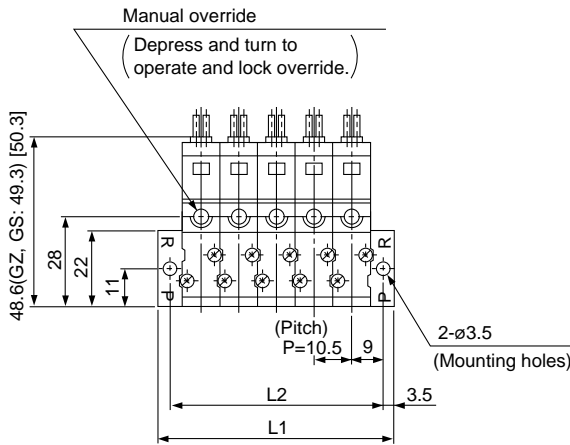
\* [ ] for AC

\* Other dimensions are the same as the grommet.

Station	2	3	4	5	6	7	8	9	10	11	12	13	14	15	16	17	18	19	20
L1	35.5	46	56.5	67	77.5	88	98.5	109	119.5	130	140.5	151	161.5	172	182.5	193	203.5	214	224.5
L2	28.5	39	49.5	60	70.5	81	91.5	102	112.5	123	133.5	144	154.5	165	175.5	186	196.5	207	217.5

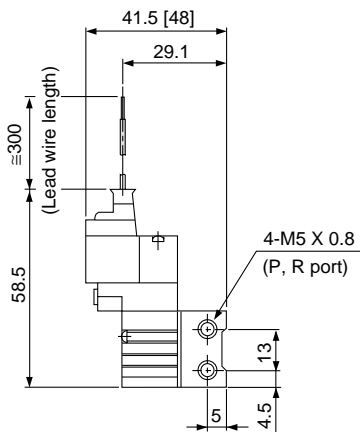
## 41 Type Manifold: Side Ported/SS3YJ3-41-Station -M3

### Grommet (G), (H)



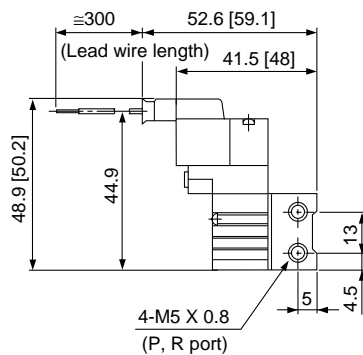
\* [ ] for AC

### L plug connector (L)



\* [ ] for AC  
\* Other dimensions are the same as the grommet.

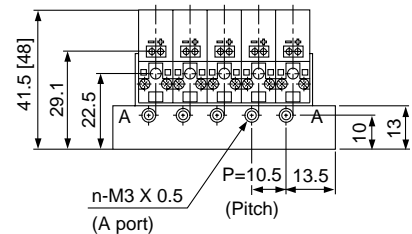
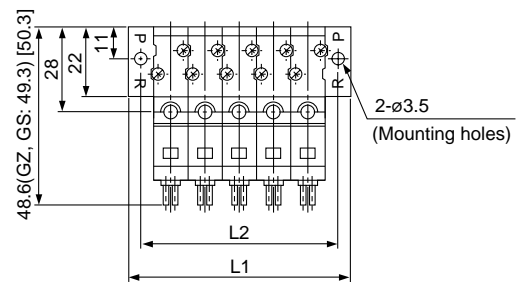
### M plug connector (M)



\* [ ] for AC  
\* Other dimensions are the same as the grommet.

### S41 Type/Side Ported (Coil is located on same side as the A port.)

## SS3YJ3-S41-Station -M3



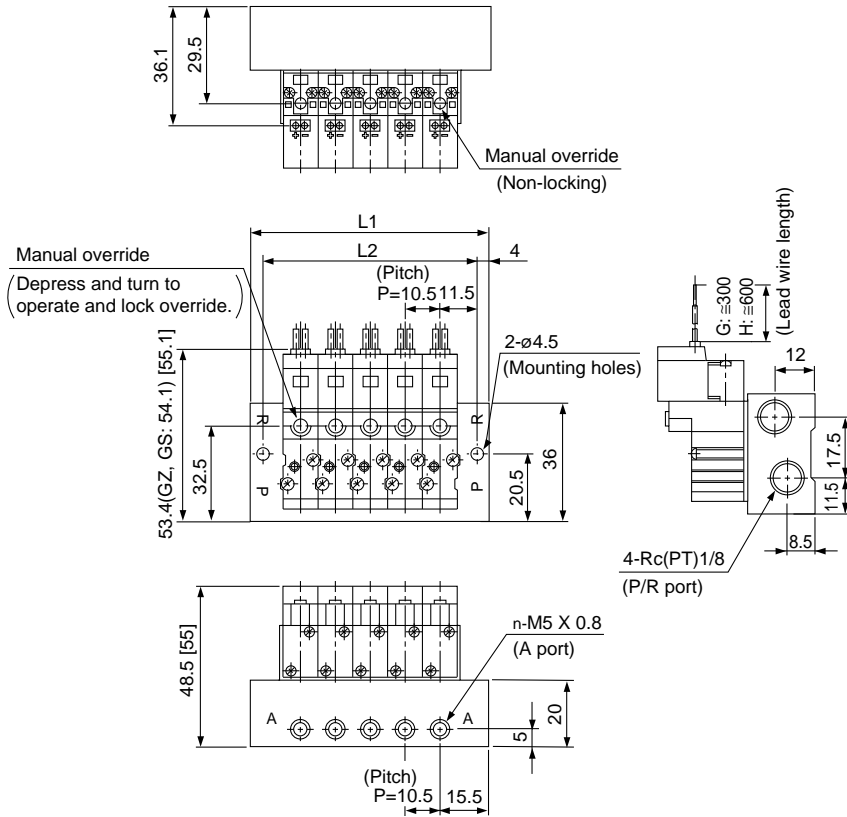
\* [ ] for AC  
\* Other dimensions are the same as type 41.

Station	2	3	4	5	6	7	8	9	10	11	12	13	14	15	16	17	18	19	20
L1	35.5	46	56.5	67	77.5	88	98.5	109	119.5	130	140.5	151	161.5	172	182.5	193	203.5	214	224.5
L2	28.5	39	49.5	60	70.5	81	91.5	102	112.5	123	133.5	144	154.5	165	175.5	186	196.5	207	217.5

# Series SYJ300

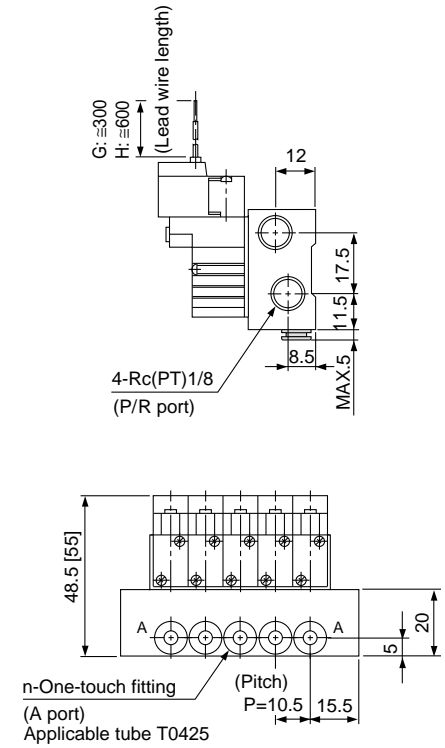
## 42 Type Manifold: Side Ported/SS3YJ3-42-Station -M5, C4

### Grommet (G), (H)



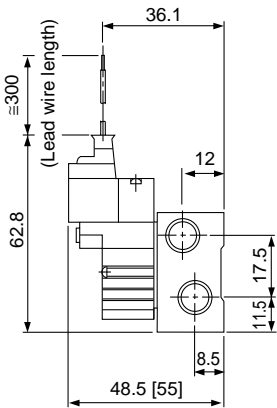
\* [ ] for AC

### C4 (Built-in one-touch fitting)



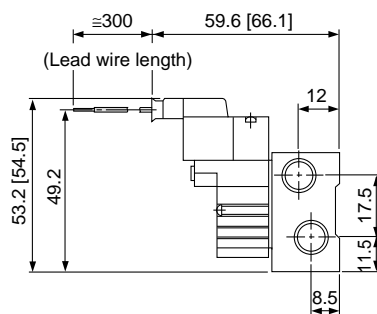
\* [ ] for AC  
\* Other dimensions are the same as the M5.

### L plug connector (L)



\* [ ] for AC  
\* Other dimensions are the same as the grommet.

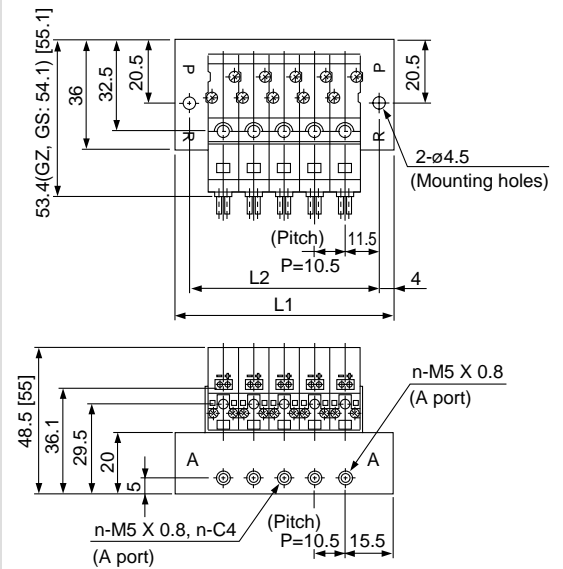
### M plug connector (M)



\* [ ] for AC  
\* Other dimensions are the same as the grommet.

## S42 Type/Side Ported (Coil is located on same side as the A port.)

### SS3YJ3-S42-Station -M5, C4

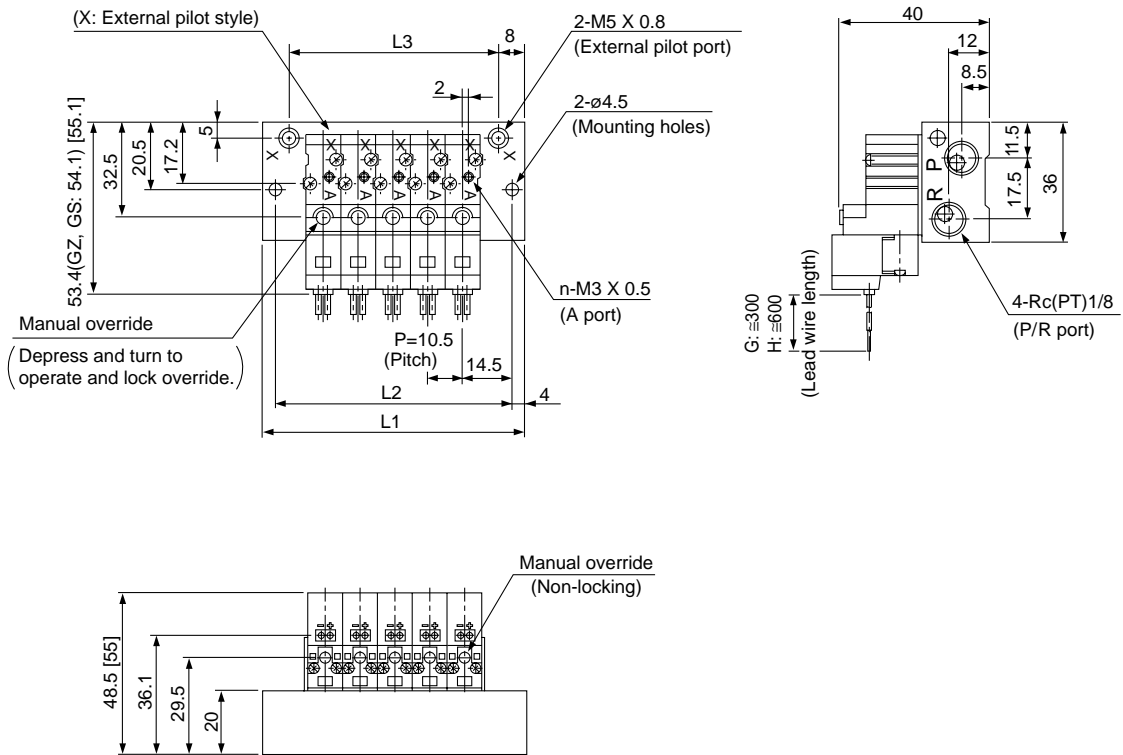


\* [ ] for AC  
\* Other dimensions are the same as type 42.

Station	2	3	4	5	6	7	8	9	10	11	12	13	14	15	16	17	18	19	20
L1	41.5	52	62.5	73	83.5	94	104.5	115	125.5	136	146.5	157	167.5	178	188.5	199	209.5	220	230.5
L2	33.5	44	54.5	65	75.5	86	96.5	107	117.5	128	138.5	149	159.5	170	180.5	191	201.5	212	222.5

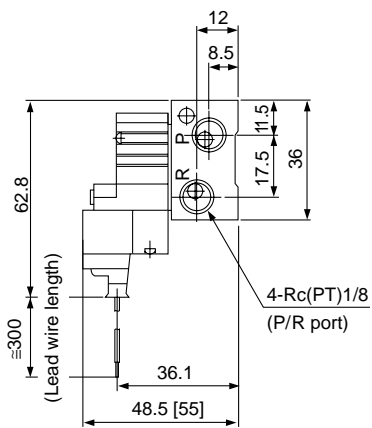
## 20R Type Manifold: Top Ported (External Pilot)/SS3YJ3-20R- Station

### Grommet (G), (H)



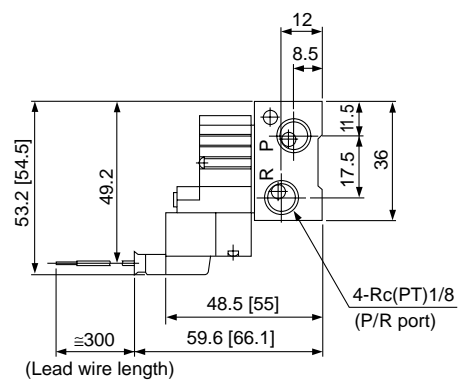
\* [ ] for AC

### L plug connector (L)



\* [ ] for AC  
\* Other dimensions are the same as the grommet.

### M plug connector (M)



\* [ ] for AC  
\* Other dimensions are the same as the grommet.

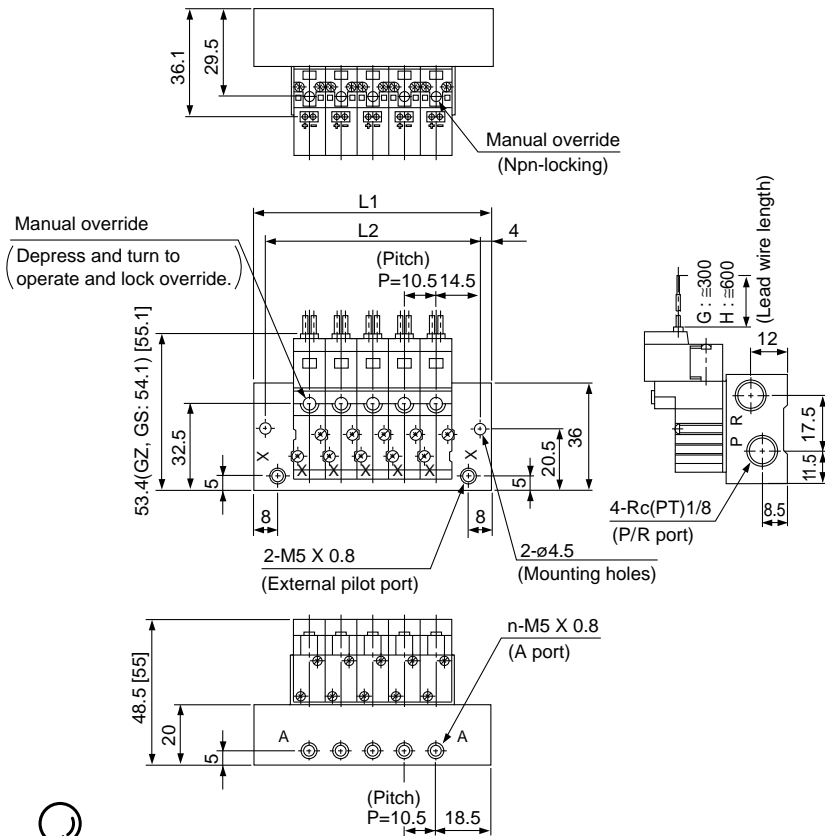
Station	2	3	4	5	6	7	8	9	10	11	12	13	14	15	16	17	18	19	20
L1	47.5	58	68.5	79	89.5	100	110.5	121	131.5	142	152.5	163	173.5	184	194.5	205	215.5	226	236.5
L2	39.5	50	60.5	71	81.5	92	102.5	113	123.5	134	144.5	155	165.5	176	186.5	197	207.5	218	228.5
L3	31.5	42	52.5	63	73.5	84	94.5	105	115.5	126	136.5	147	157.5	168	178.5	189	199.5	210	220.5

- SY
- SYJ**
- VK
- VZ
- VT
- VT
- VP
- VG
- VP
- VQ
- VQZ
- VZ
- VS

# Series SYJ300

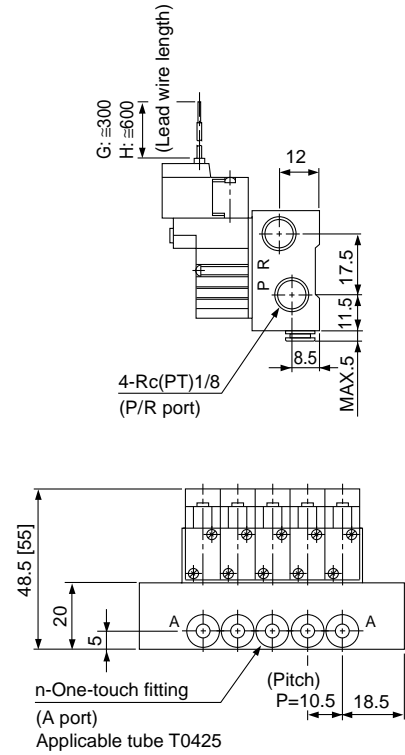
## 42R Type Manifold: Side Ported (External Pilot)/SS3YJ3-42R-Station-M5, C4

### Grommet (G), (H)



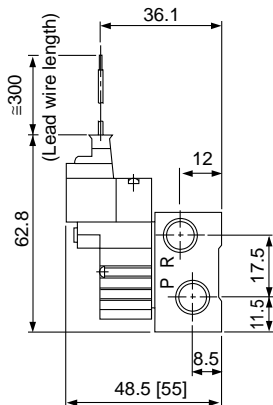
\* [ ] for AC  
\* Other dimensions are the same as the M5.

### C4 (Built-in one-touch fitting)



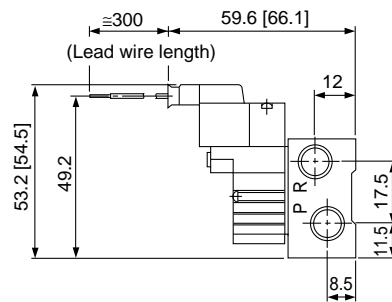
\* [ ] for AC  
\* Other dimensions are the same as the M5.

### L plug connector (L)



\* [ ] for AC  
\* Other dimensions are the same as the grommet.

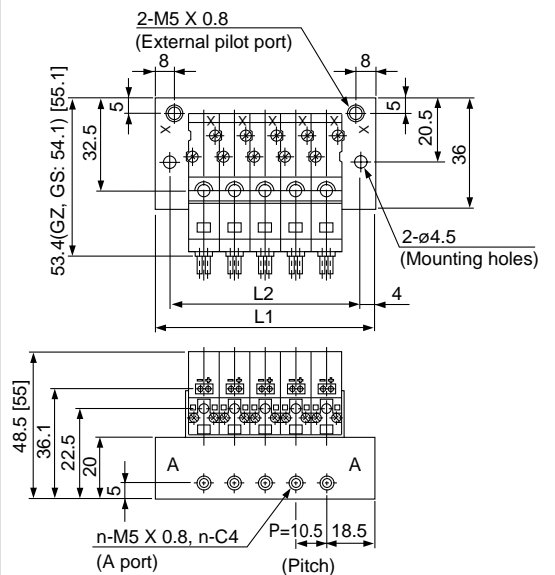
### M plug connector (M)



\* [ ] for AC  
\* Other dimensions are the same as the grommet.

## S42R Type/Side Ported (Coil is located on same side as the A port.)

### SS3YJ3-S42R-Station-M5, C4



\* [ ] for AC  
\* Other dimensions are the same as type 42R.

Station	2	3	4	5	6	7	8	9	10	11	12	13	14	15	16	17	18	19	20
L1	47.5	58	68.5	79	89.5	100	110.5	121	131.5	142	152.5	163	173.5	184	194.5	205	215.5	226	236.5
L2	39.5	50	60.5	71	81.5	92	102.5	113	123.5	134	144.5	155	165.5	176	186.5	197	207.5	218	228.5