



## Flow Characteristics/Weight

Valve model	Type of actuation	Port size		Flow characteristics <sup>Note 1)</sup>						Weight (g) <sup>Note 2, 3)</sup>																			
				1→4/2 (P→A/B)			4/2→5/3 (A/B→EA/EB)			Grommet	L/M plug connector	DIN terminal	M8 connector																
				C [dm <sup>3</sup> /(s·bar)]	b	Cv	C [dm <sup>3</sup> /(s·bar)]	b	Cv																				
Body ported	SYJ5□20-□-M5	2 position	Single	M5 x 0.8	M5 x 0.8	0.47	0.41	0.13	0.47	0.41	0.13	46	47	68	51														
			Double													64	66	108	74										
		3 position	Closed center																	0.49	0.44	0.13	0.44	0.40	0.12	75	77	119	85
			Exhaust center																										
			Pressure center																										
	SYJ5□20-□-C4	2 position	Single	M5 x 0.8	C4 (One-touch fitting for ø4)	0.69	0.39	0.18	0.44	0.39	0.12	53	54	75	58														
			Double													71	73	115	81										
		3 position	Closed center																	0.69	0.40	0.19	0.43	0.40	0.12	82	84	126	72
			Exhaust center																										
			Pressure center																										
SYJ5□20-□-C6	2 position	Single	M5 x 0.8	C6 (One-touch fitting for ø6)	0.70	0.36	0.19	0.47	0.40	0.12	53	54	75	58															
		Double													71	73	115	81											
	3 position	Closed center																	0.72	0.37	0.19	0.44	0.34	0.12	82	84	126	92	
		Exhaust center																											
		Pressure center																											
Base mounted	SYJ5□40-□-01	2 position	Single	1/8	1/8	0.79	0.21	0.19	0.83	0.32	0.21	80 (49)	81 (47)	102 (68)					51										
			Double												98 (64)	100 (66)	142 (108)	74											
		3 position	Closed center																	0.80	0.28	0.18	0.86	0.34	0.20	109 (75)	111 (77)	153 (119)	85
			Exhaust center																										
			Pressure center																										

Note 1) [ ]: Denotes normal position. Exhaust center: 4/2 → 5/3, Pressure center: 1 → 4/2  
 Note 2) ( ): Without sub-plate.  
 Note 3) For DC voltages. For AC voltages add 3 g to the weight of the single solenoid and 6 g to the weight of the double solenoid and 3 position types.

SV  
SZ  
SY  
SYJ  
SX

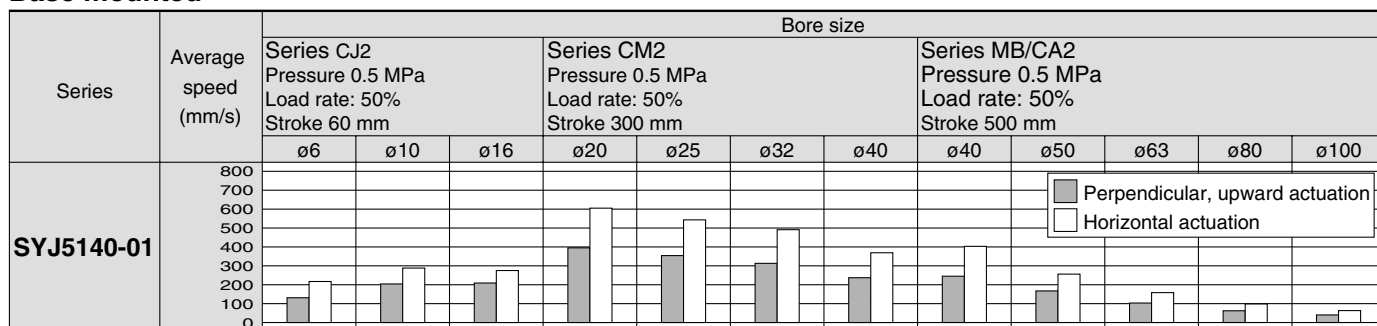
## Cylinder Speed Chart

Use as a guide for selection.  
Please confirm the actual conditions with SMC Sizing Program.

### Body ported



### Base mounted



\* Cylinder is in extending. Speed controller is meter-out, which is directly connected with cylinder and its needle is fully opened.  
 \* Average speed of cylinder is obtained by dividing the full stroke time by the stroke.  
 \* Load factor: ((Load weight x 9.8)/Theoretical force) x 100%

## Conditions

	Body ported	Series CJ2	Series CM2	Series MB/CA2
SYJ5120-M5	Tubing bore x Length	ø4 x 1 m	ø6 x 1 m	ø8 x 1 m
	Speed controller	AS1301F-04	AS3301F-06	AS3301F-08
	Silencer	AN120-M5	AN110-01	

	Base mounted	Series CJ2	Series CM2	Series MB/CA2
SYJ5140-01	Tubing bore x Length	ø4 x 1 m	ø6 x 1 m	
	Speed controller	AS2301F-04	AS3001F-06	
	Silencer	AN101-01	AN101-01	

## How to Order

### Type of actuation

1	2 position single solenoid
2	2 position double solenoid
3	3 position closed center
4	3 position exhaust center
5	3 position pressure center

### Light/Surge voltage suppressor Electrical entry for G, H, L, M, W

Nil	Without light/surge voltage suppressor
S	With surge voltage suppressor
Z	With light/surge voltage suppressor
R	With surge voltage suppressor (Non-polar type)
U	With light/surge voltage suppressor (Non-polar type)

\* For AC voltage valves there is no "S" option.  
It is already built-in to the rectifier circuit.  
\* For type "R" and "U", DC voltage is only available.  
\* Power saving circuit is only available in the "Z" type.

### Electrical entry for D

Nil	Without light/surge voltage suppressor
S	With surge voltage suppressor (Non-polar type)
Z	With light/surge voltage suppressor (Non-polar type)

\* "DOZ" is not available.  
\* For AC voltage valves there is no "S" option.  
It is already built-in to the rectifier circuit.

### Rated voltage

DC		AC (50/60 Hz)	
5	24 VDC	1	100 VAC
6	12 VDC	2	200 VAC
V	6 VDC	3	110 VAC [115 VAC]
S	5 VDC	4	220 VAC [230 VAC]
R	3 VDC		

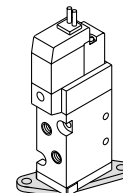
\* DC specifications of type "D" and "DO" is only available with 12 and 24 VDC.  
\* For type "W□", DC voltage is only available.

### A, B port size

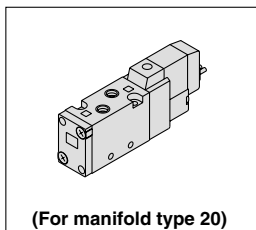
M5	M5 x 0.8
C4	One-touch fitting for Ø4
C6	One-touch fitting for Ø6
N3	One-touch fitting for Ø5/32"
N7	One-touch fitting for Ø1/4"

### Bracket

Nil: Without bracket  
F: With bracket



Note) The mounting bracket is supplied unattached.

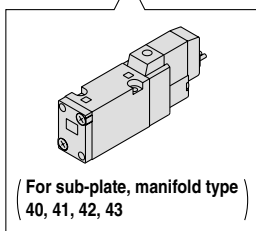


### Body ported

SYJ5 1 2 0 □ 5 L □ □ M5 □

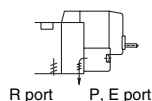
### Base mounted

SYJ5 2 4 0 □ 5 L □ □ □ □

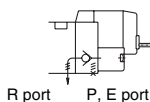


### Body option

0: Pilot valve individual exhaust for the pilot valve



3: Common exhaust type for main and pilot valve



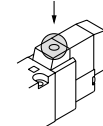
### Coil specifications

Nil	Standard
T	With power saving circuit <24 V, 12 VDC only>

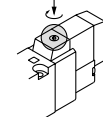
\* Power saving circuit is not available in the case of "D", "DO" or "W□" type.

### Manual override

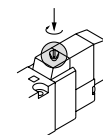
Nil: Non-locking push type



D: Push-turn locking slotted type



E: Push-turn locking lever type

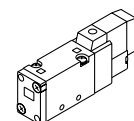


### Thread type

Nil	Rc
F	G
N	NPT
T	NPTF

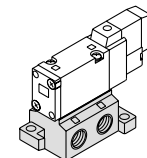
### Port size

Nil: Without sub-plate



(With gasket and screws)

O1: 1/8 With sub-plate



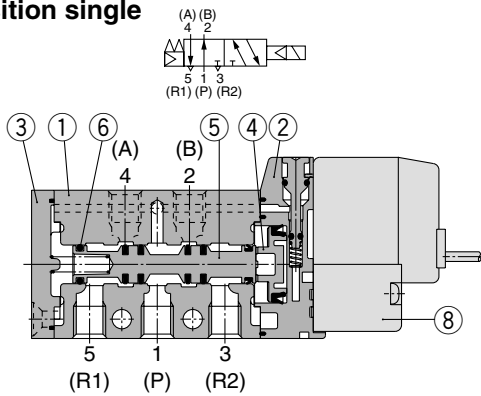
### Electrical entry

24, 12, 6, 5, 3 VDC 100, 110, 200, 220 VAC				24, 12 VDC 100, 110, 200, 220 VAC		24, 12, 6, 5, 3 VDC	
Grommet	L plug connector	M plug connector		DIN terminal	M8 connector		
G: Lead wire length 300 mm	L: With lead wire (Length 300 mm)	M: With lead wire (Length 300 mm)	MN: Without lead wire	D: With connector	WO: Without connector cable		
H: Lead wire length 600 mm	LN: Without lead wire	LO: Without connector	MO: Without connector	DO: Without connector			

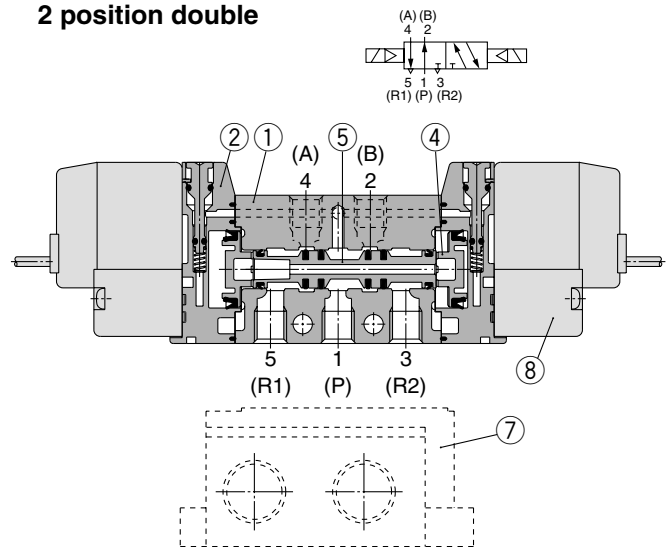
\* LN, MN type: with 2 sockets.  
\* DIN terminal "Type Y" conforming to DIN43650C standard is also available. (For details, refer to catalog in page 1-5-73.)  
\* For connector cable of M8 connector, refer to page 1-5-78.

## Construction

### 2 position single

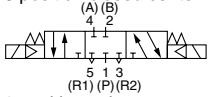


### 2 position double

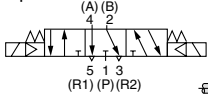


### 3 position closed center/exhaust center/pressure center

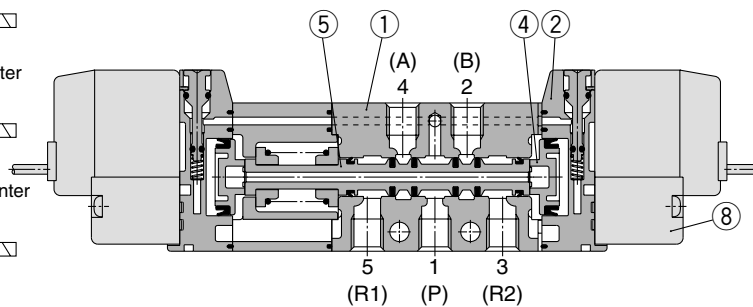
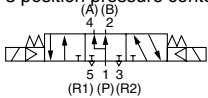
#### 3 position closed center



#### 3 position exhaust center



#### 3 position pressure center



(This figure shows a closed center type.)

## Component Parts

No.	Description	Material	Note
①	Body	Aluminum die-casted	White
②	Piston plate	Resin	White
③	End cover	Resin	White
④	Piston	Resin	—
⑤	Spool valve assembly	Aluminum, H-NBR	—
⑥	Spool spring	Stainless steel	—

## Replacement Parts

No.	Description	Part no.	Note
⑦	Sub-plate	SYJ5000-22-1	Aluminum die-casted
⑧	Pilot valve	V111(T)-□□□	—

SV

SZ

SY

SYJ

SX

# Series SYJ5000

## How to Order Pilot Valve Assembly

V111    — 5 G   

### Coil specifications

<b>Nil</b>	Standard: DC specifications
<b>A</b>	Standard: AC specifications
<b>T</b>	With power saving circuit (24, 12 VDC only)

\* Power saving circuit is not available in the case of "W□" type.

### Rated voltage

<b>5</b>	24 VDC
<b>6</b>	12 VDC
<b>V</b>	6 VDC
<b>S</b>	5 VDC
<b>R</b>	3 VDC
<b>1</b>	100 VAC 50/60 Hz
<b>2</b>	200 VAC 50/60 Hz
<b>3</b>	110 VAC 50/60 Hz [115 VAC 50/60 Hz]
<b>4</b>	220 VAC 50/60 Hz [230 VAC 50/60 Hz]

\* For type "W□", DC voltage is only available.

### Light/Surge voltage suppressor

<b>Nil</b>	Without light/surge voltage suppressor
<b>S</b>	With surge voltage suppressor
<b>Z</b>	With light/surge voltage suppressor
<b>R</b>	With surge voltage suppressor (Non-polar type)
<b>U</b>	With light/surge voltage suppressor (Non-polar type)

\* For AC voltage valves there is no "S" option. It is already built-in to the rectifier circuit.  
\* For type "R" and "U", DC voltage is only available.  
\* Power saving circuit is only available in the "Z" type.

### Electrical entry

<b>G</b>	Grommet, 300 mm lead wire	
<b>H</b>	Grommet, 600 mm lead wire	
<b>L</b>	L plug connector	With lead wire
<b>LN</b>		Without lead wire
<b>LO</b>		Without connector
<b>M</b>	M plug connector	With lead wire
<b>MN</b>		Without lead wire
<b>MO</b>		Without connector
<b>WO</b>	M8 connector Without connector cable	

\* For connector cable of M8 connector, refer to page 1-5-78.

## How to Order Connector Assembly for L/M Plug Connector

For DC : SY100-30-4A-    
 For 100 VAC : SY100-30-1A-    
 For 200 VAC : SY100-30-2A-    
 For other voltages of AC : SY100-30-3A-  

Without lead wire: SY100-30-A  
 (with connector and 2 of sockets only)

### Lead wire length

<b>Nil</b>	300 mm
<b>6</b>	600 mm
<b>10</b>	1000 mm
<b>15</b>	1500 mm
<b>20</b>	2000 mm
<b>25</b>	2500 mm
<b>30</b>	3000 mm
<b>50</b>	5000 mm

V115 — 5 D   

### Rated voltage

<b>5</b>	24 VDC
<b>6</b>	12 VDC
<b>1</b>	100 VAC 50/60 Hz
<b>2</b>	200 VAC 50/60 Hz
<b>3</b>	110 VAC 50/60 Hz [115 VAC 50/60 Hz]
<b>4</b>	220 VAC 50/60 Hz [230 VAC 50/60 Hz]

\* DC specifications of type "D" and "DO" is only available with 12 and 24 VDC.  
\* Power saving circuit is not available in the case of "D" or "DO" type.

### Light/Surge voltage suppressor

<b>Nil</b>	Without light/surge voltage suppressor
<b>S</b>	With surge voltage suppressor (Non-polar type)
<b>Z</b>	With light/surge voltage suppressor (Non-polar type)

\* "DOZ" is not available.  
\* For AC voltage valves there is no "S" option. It is already built-in to the rectifier circuit.

### Electrical entry

<b>D</b>	DIN terminal	With connector
<b>DO</b>	terminal	Without connector

Note) Do not replace SV111 (G, H, L, M, W) to SV115 (DIN terminal) and vice versa when replacing pilot valve assembly only.

## How to Order M8 Connector Cable

V100-49-1-  

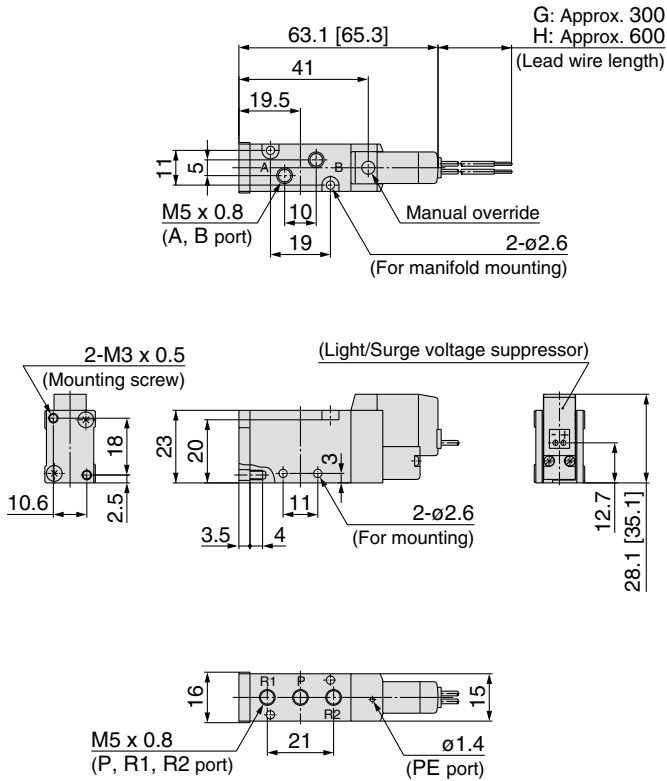
### Cable length

<b>1</b>	300 mm
<b>2</b>	500 mm
<b>3</b>	1000 mm
<b>4</b>	2000 mm
<b>7</b>	5000 mm

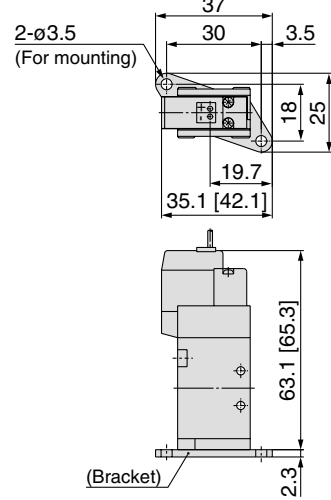
**2 Position Single**



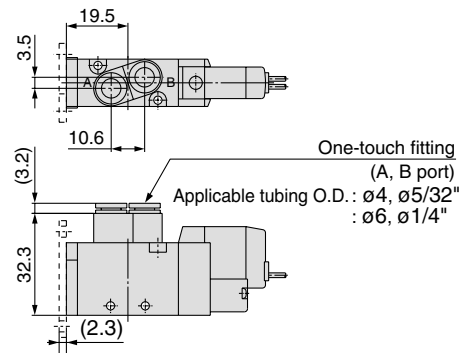
Grommet (G), (H): SYJ5120-□<sup>G</sup><sub>H</sub>□□-M5



With bracket  
SYJ5120-□<sup>G</sup><sub>H</sub>□□-M5-F



Built-in One-touch fitting:  
SYJ5120-□<sup>G</sup><sub>H</sub>□□-C4, N3  
C6, N7 (-F)



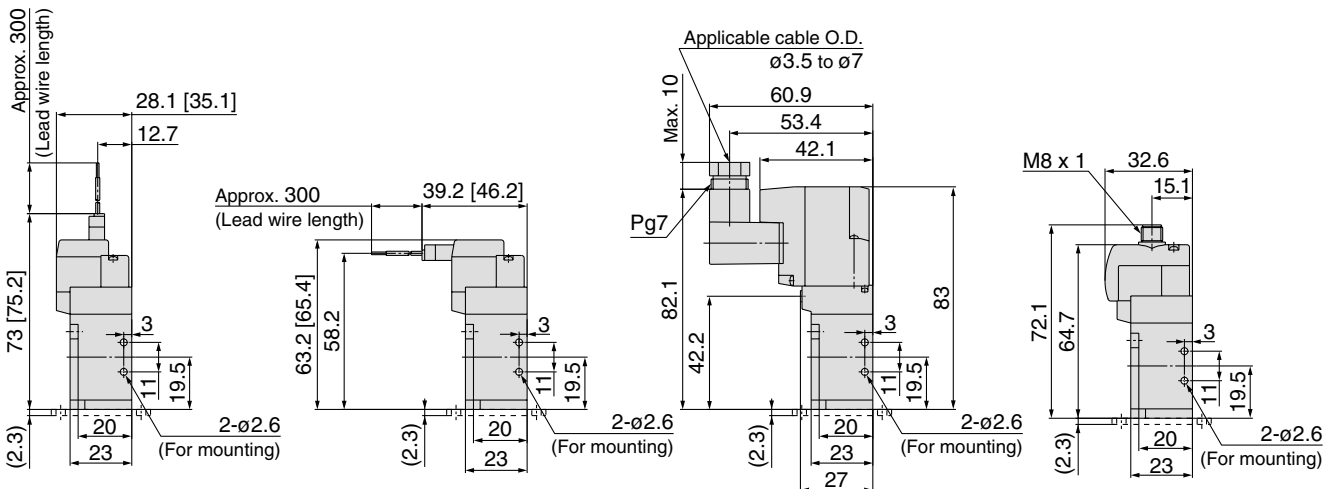
- SV
- SZ
- SY
- SYJ**
- SX

L plug connector (L):  
SYJ5120-□L□□-M5(-F)

M plug connector (M):  
SYJ5120-□M□□-M5(-F)

DIN terminal (D):  
SYJ5120-□D□□-M5(-F)

M8 connector (WO):  
SYJ5120-□WO□□-M5(-F)



Refer to page 1-5-79 for dimensions with connector cable.

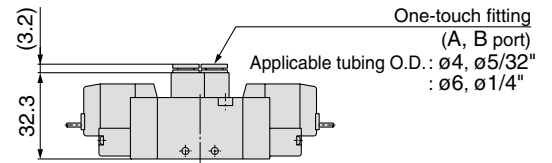
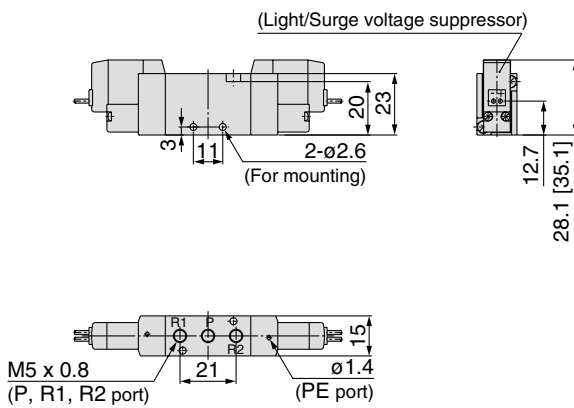
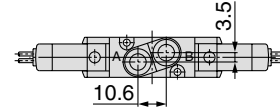
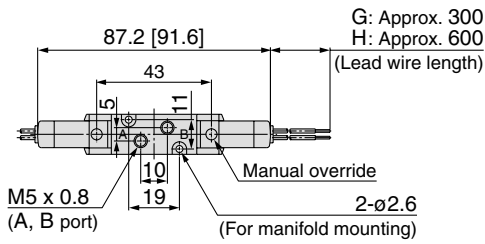
# Series SYJ5000

## 2 Position Double



Grommet (G), (H): SYJ5220-□<sup>G</sup><sub>H</sub>□□□-M5

**Built-in One-touch fitting:**  
SYJ5220-□<sup>G</sup><sub>H</sub>□□□-<sup>C4, N3</sup><sub>C6, N7</sub>

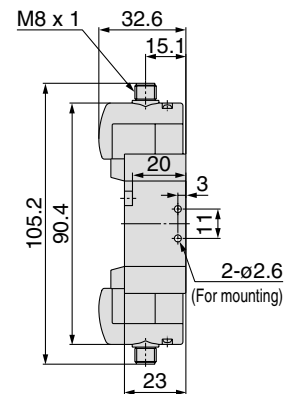
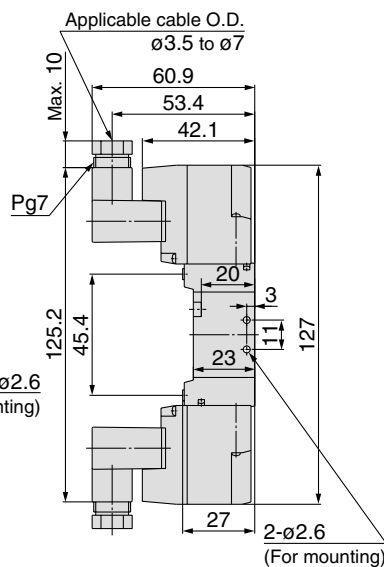
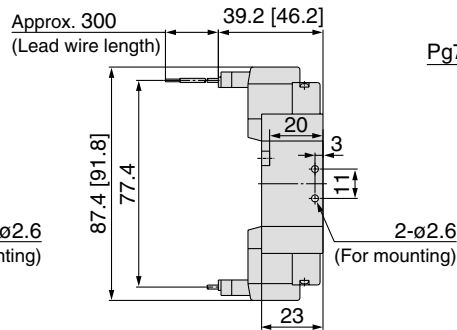
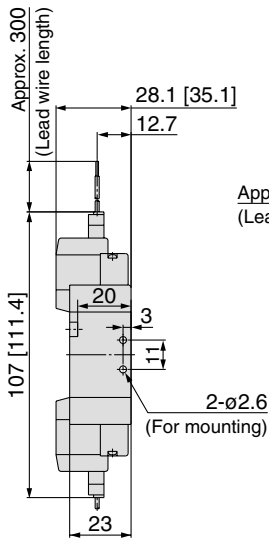


**L plug connector (L):**  
SYJ5220-□L□□□-M5

**M plug connector (M):**  
SYJ5220-□M□□□-M5

**DIN terminal (D):**  
SYJ5220-□D□□□-M5

**M8 connector (WO):**  
SYJ5220-□WO□□□-M5



Refer to page 1-5-79 for dimensions with connector cable.

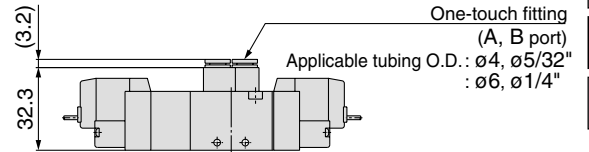
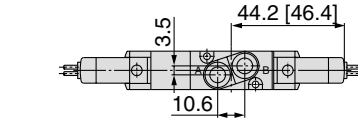
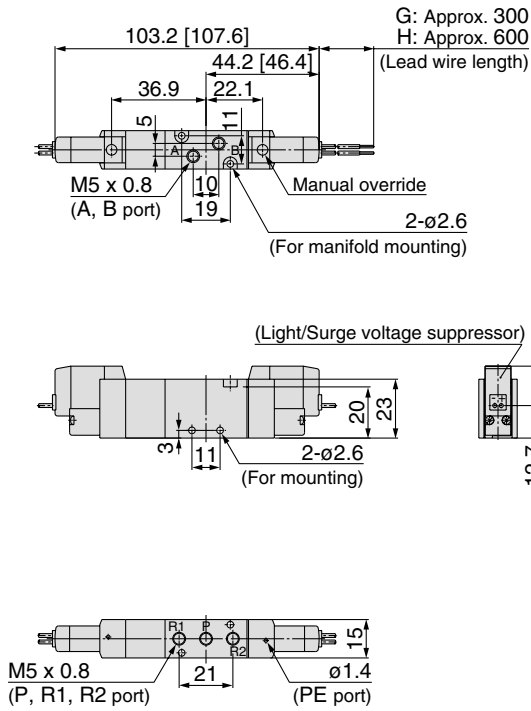
# 5 Port Solenoid Valve Rubber Seal Series SYJ5000

## 3 Position Closed Center/Exhaust Center/Pressure Center



Grommet (G), (H): SYJ5<sup>3</sup>/<sub>5</sub>20-□<sup>G</sup>□□-M5

Built-in One-touch fitting:  
SYJ5<sup>3</sup>/<sub>5</sub>20-□<sup>G</sup>□□-C4, N3  
C6, N7



SV

SZ

SY

**SYJ**

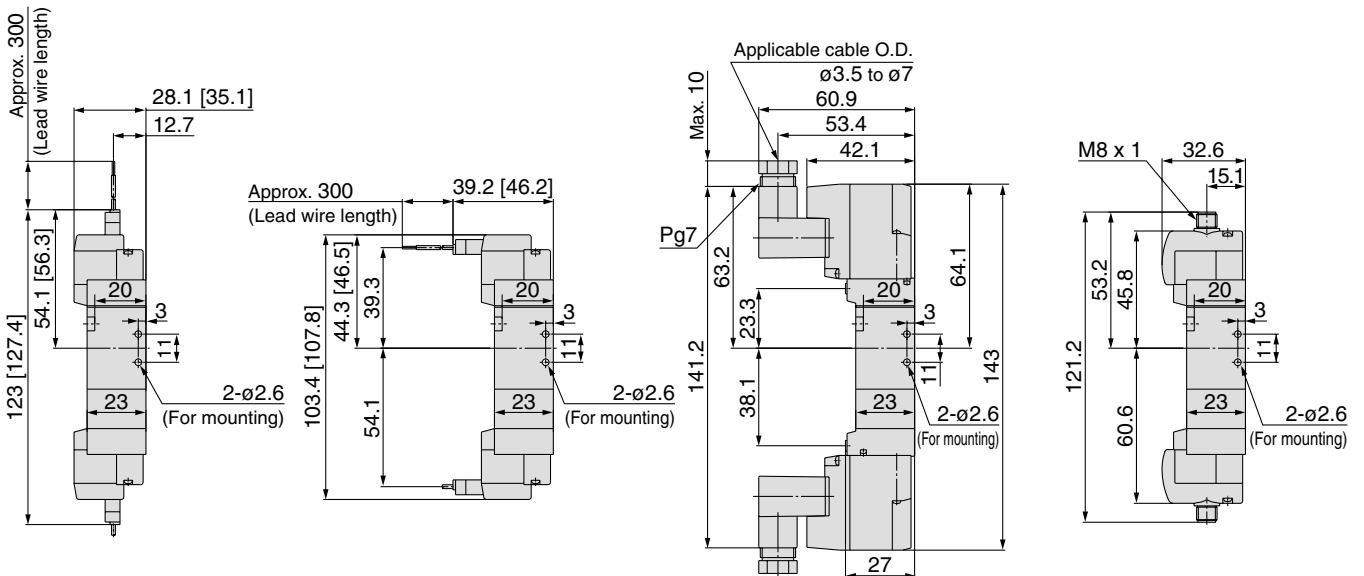
SX

L plug connector (L):  
SYJ5<sup>3</sup>/<sub>5</sub>20-□L□□-M5

M plug connector (M):  
SYJ5<sup>3</sup>/<sub>5</sub>20-□M□□-M5

DIN terminal (D):  
SYJ5<sup>3</sup>/<sub>5</sub>20-□D□□-M5

M8 connector (WO):  
SYJ5<sup>3</sup>/<sub>5</sub>20-□WO□□-M5



Refer to page 1-5-79 for dimensions with connector cable.



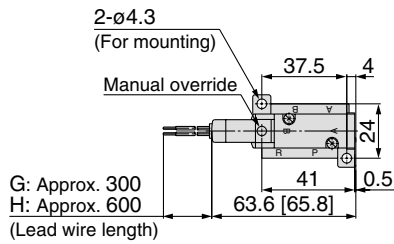
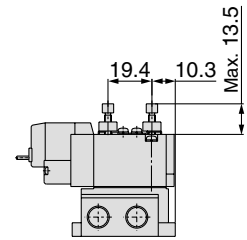
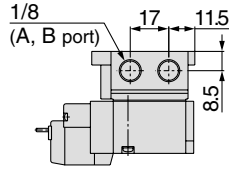
# Series SYJ5000

## 2 Position Single

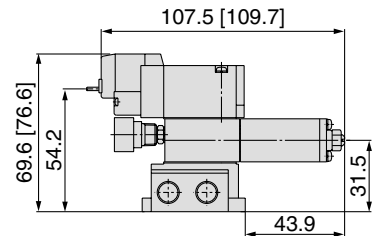


Grommet (G), (H): SYJ5140-□<sub>H</sub>□□-01□

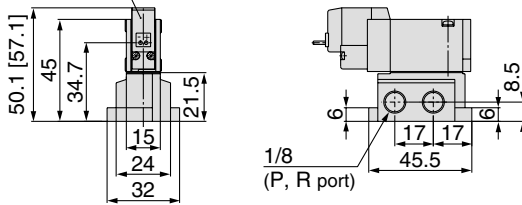
Built-in speed controller:  
SYJ5150-□<sub>H</sub>□□-01□



With interface regulator



(Light/Surge voltage suppressor)

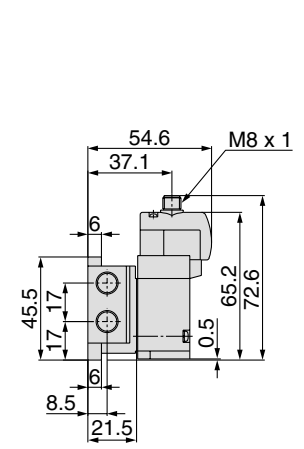
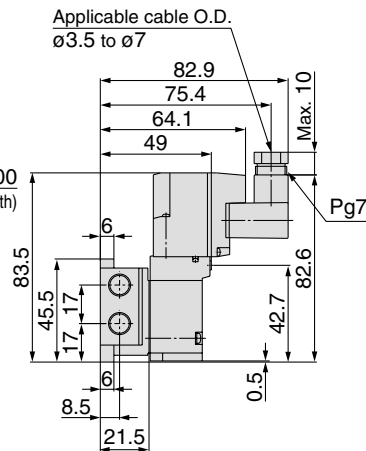
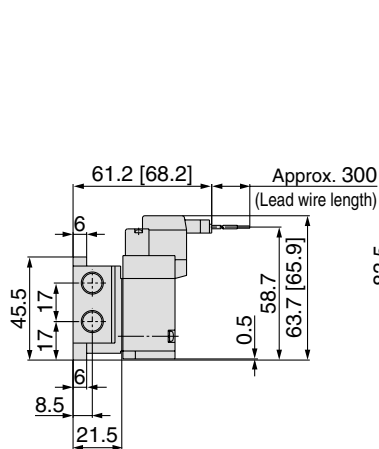
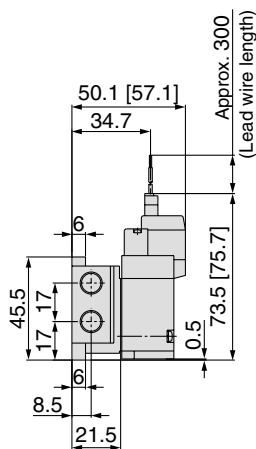


L plug connector (L):  
SYJ5140-□L□□-01□

M plug connector (M):  
SYJ5140-□M□□-01□

DIN terminal (D):  
SYJ5140-□D□□-01□

M8 connector (WO):  
SYJ5140-□WO□□-01□



Refer to page 1-5-79 for dimensions with connector cable.

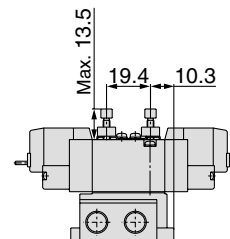
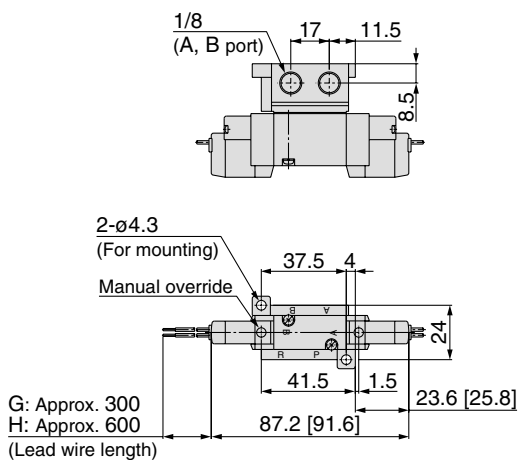
# 5 Port Solenoid Valve Rubber Seal Series SYJ5000

## 2 Position Double



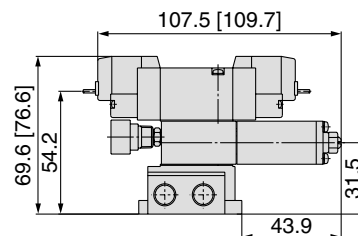
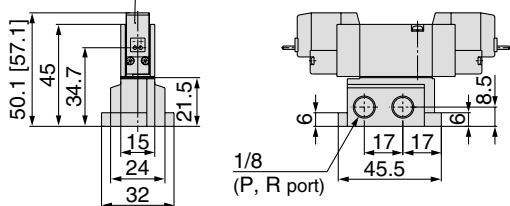
Grommet (G), (H): SYJ5240-□<sup>G</sup>□□-01□

Built-in speed controller:  
SYJ5250-□<sup>G</sup>□□-01□



With interface regulator

(Light/Surge voltage suppressor)



SV

SZ

SY

SYJ

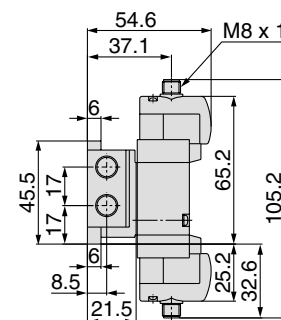
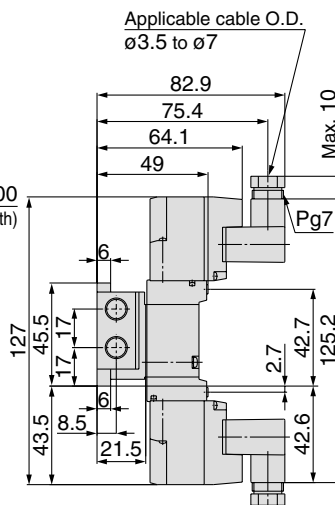
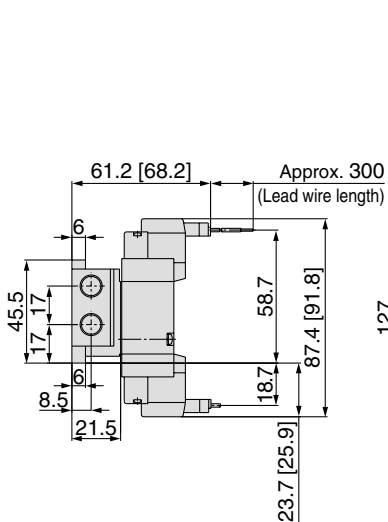
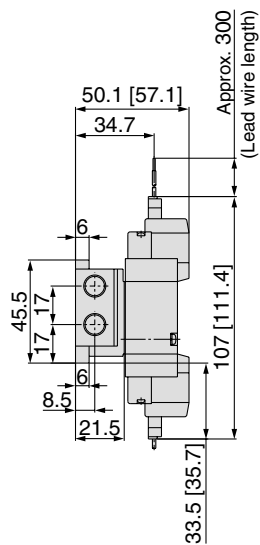
SX

L plug connector (L):  
SYJ5240-□L□□-01□

M plug connector (M):  
SYJ5240-□M□□-01□

DIN terminal (D):  
SYJ5240-□D□□-01□

M8 connector (WO):  
SYJ5240-□WO□□-01□



Refer to page 1-5-79 for dimensions with connector cable.

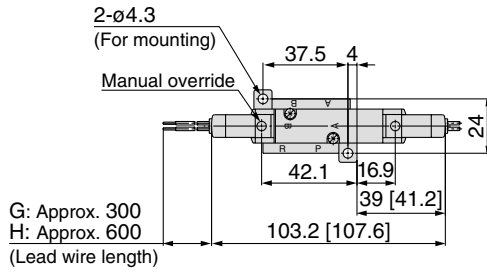
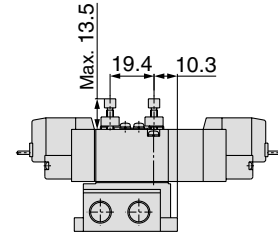
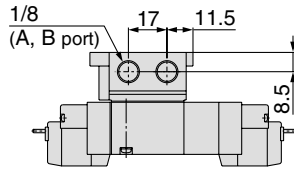
# Series SYJ5000

## 3 Position Closed Center/Exhaust Center/Pressure Center

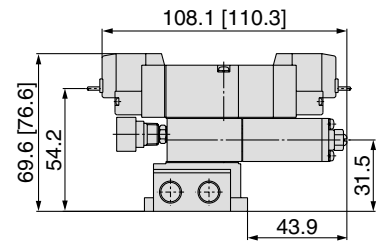


Grommet (G), (H): SYJ5<sup>3</sup>/<sub>4</sub>40-□<sup>G</sup><sub>H</sub>□□-01□

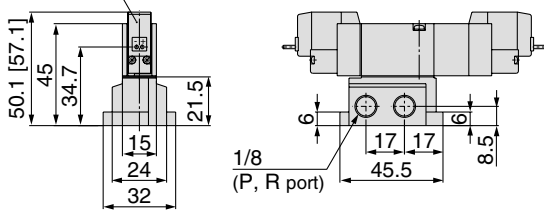
Built-in speed controller:  
SYJ5<sup>3</sup>/<sub>4</sub>50-□<sup>G</sup><sub>H</sub>□□-01□



With interface regulator



(Light/Surge voltage suppressor)

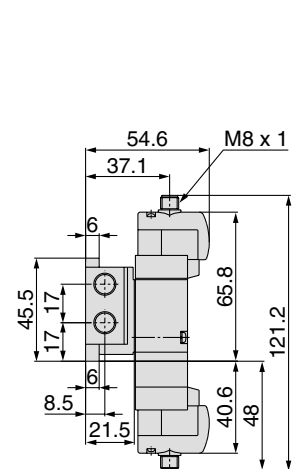
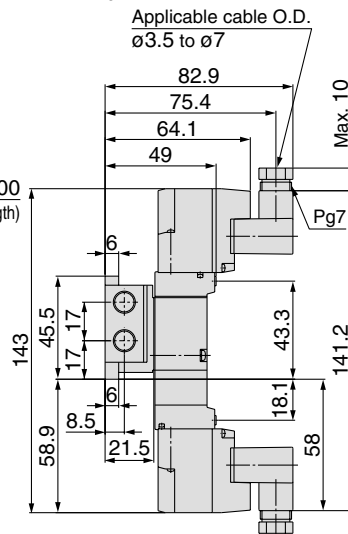
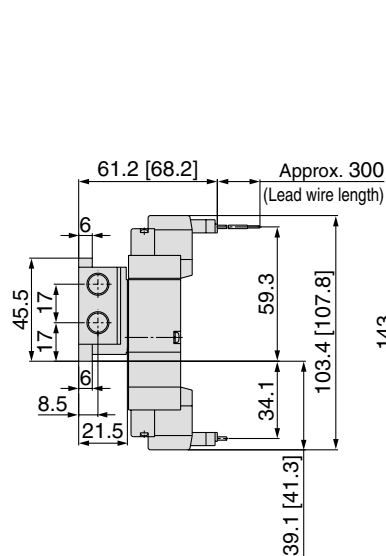
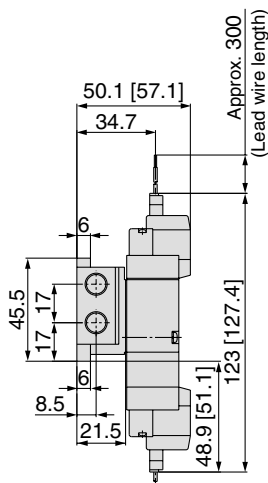


L plug connector (L):  
SYJ5<sup>3</sup>/<sub>4</sub>40-□L□□-01□

M plug connector (M):  
SYJ5<sup>3</sup>/<sub>4</sub>40-□M□□-01□

DIN terminal (D):  
SYJ5<sup>3</sup>/<sub>4</sub>40-□D□□-01□

M8 connector (WO):  
SYJ5<sup>3</sup>/<sub>4</sub>40-□WO□□-01□



Refer to page 1-5-79 for dimensions with connector cable.

# Series SYJ5000 Manifold Specifications

## Manifold Standard



## Manifold Specifications

Model		Type 20	Type 40	Type 41	Type 42	Type 43
Manifold type		Single base/B mount				
P (SUP), R (EXH)		Common SUP, Common EXH				
Valve stations		2 to 20 stations				
A, B port Porting specifications	Location	Valve	Base	Base		
	Direction	Top	Bottom	Side		
Port size	P, R port	1/8			1/4	1/8
	A, B port	M5 x 0.8, C4 (One-touch fitting for ø4) C6 (One-touch fitting for ø6)	M5 x 0.8		1/8, C6 (One-touch fitting for ø6)	C4 (One-touch fitting for ø4)

SV

SZ

SY

SYJ

SX

## Flow Characteristics

Manifold			Port size		Flow characteristics					
					1→4/2 (P→A/B)			4/2→5/3 (A/B→R)		
			1(P), 5/3(R) Port	2(B), 4(A) Port	C [dm <sup>3</sup> /(s·bar)]	b	Cv	C [dm <sup>3</sup> /(s·bar)]	b	Cv
Body ported for internal pilot	SS5YJ5-20	SYJ5□2□	1/8	M5 x 0.8	0.46	0.39	0.12	0.75	0.32	0.19
			1/8	C4	0.62	0.33	0.16	0.83	0.27	0.20
			1/8	C6	0.79	0.36	0.21	0.91	0.36	0.24
Base mounted for internal pilot	SS5YJ5-40 SS5YJ5-41 SS5YJ5-42-01 SS5YJ5-42-C6 SS5YJ5-43	SYJ5□4□	1/8	M5 x 0.8	0.55	0.35	0.15	0.64	0.26	0.16
			1/8	M5 x 0.8	0.59	0.35	0.16	0.68	0.23	0.17
			1/4	1/8	0.74	0.22	0.18	0.82	0.31	0.21
			1/4	C6	0.71	0.24	0.17	0.8	0.29	0.20
			1/8	C4	0.55	0.29	0.14	0.74	0.32	0.19



Note) Value at manifold base mounted, 2 position single operating

## How to Order Manifold (Example)

Instruct by specifying the valves and blanking plate assembly to be mounted on the manifold along with the manifold base model no.

Example: **SS5YJ5-20-03** ..... 1 pc. (Manifold base)

\* **SYJ5120-5G-M5** ..... 2 pcs. (Valve)

\* **SYJ5000-21-1A** ..... 1 pc. (Blanking plate assembly)

**SS5YJ5-43-03-C4** ..... 1 pc. (Manifold base)

\* **SYJ5140-5LZ** ..... 1 pc. (Valve)

\* **SYJ5240-5LZ** ..... 1 pc. (Valve)

\* **SYJ5000-21-1A** ..... 1 pc. (Blanking plate assembly)

↳ The asterisk denotes the symbol for assembly. Prefix it to the part nos. of the solenoid valve, etc.

\* Use manifold specification sheet.

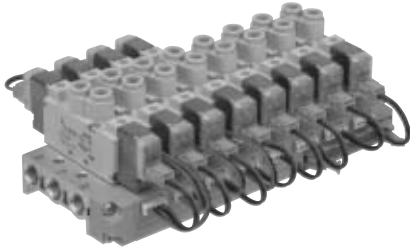
# Series SYJ5000

## Flat Ribbon Cable Manifold

• Multiple valve wiring is simplified through the use of the flat cable connector.

• Clean appearance

In the case of a flat ribbon cable type, each valve is wired on the print board of manifold base to allow the external wiring to be piped all together with 26 pins MIL connector.



## Flat Ribbon Cable Manifold Specifications

Model	Type 20	Type 41P	Type 43P
Manifold type	Single base/B mount		
P (SUP), R (EXH)	Common SUP, Common EXH		
Valve stations	3 to 12 stations		
A, B port Porting specifications	Location	Valve	Base
	Direction	Top	Side
Port size	P, R port	1/8	1/8
	A, B port	M5 x 0.8, C4 (One-touch fitting for ø4) C6 (One-touch fitting for ø6)	M5 x 0.8
Applicable flat ribbon cable connector	Socket: 26 pins MIL type with strain relief (MIL-C-83503)		
Internal wiring	In common between +COM and -COM (Z type: +COM only)		
Rated voltage	24, 12 VDC/100, 110 VAC		

Note) The withstand voltage specification for the wiring unit section conforms to JIS C 0704, Grade 1 or its equivalent.

## Flow Characteristics

Manifold	Port size	Flow characteristics							
		1→4/2 (P→A/B)			4/2→5/3 (A/B→R)				
		1(P), 5/3(R) Port	2(B), 4(A) Port	C [dm <sup>3</sup> /(s·bar)]	b	Cv	C [dm <sup>3</sup> /(s·bar)]	b	Cv
Body ported for internal pilot	SS5YJ5-20P SYJ5□23	1/8	M5 x 0.8	0.46	0.39	0.12	0.75	0.32	0.19
		1/8	C4	0.62	0.33	0.16	0.83	0.27	0.20
		1/8	C6	0.79	0.36	0.21	0.91	0.36	0.24
Base mounted for internal pilot	SS5YJ5-41P SYJ5□43	1/8	M5 x 0.8	0.59	0.35	0.16	0.68	0.23	0.17
		1/8	C4	0.55	0.29	0.14	0.74	0.32	0.19

Note) Value at manifold base mounted, 2 position single operating

## How to Order Manifold (Example)

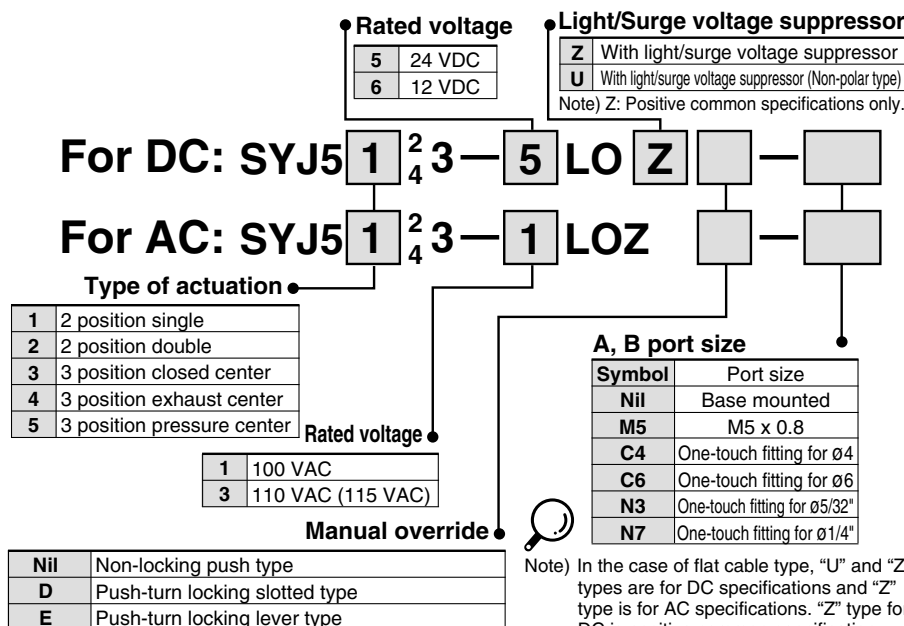
Instruct by specifying the valves and blanking plate assembly to be mounted on the manifold along with the manifold base model no.

Example: **SS5YJ5-41P-07-C4** ..... 1 pc. (Manifold base)  
 \* **SYJ5143-5LOU** ..... 3 pcs. (Valve)  
 \* **SYJ5243-5LOU** ..... 3 pcs. (Valve)  
 \* **SYJ5000-21-3A** ..... 1 pc. (Blanking plate assembly)  
 \* **SY3000-37-28A** ..... 3 pcs. (Connector assembly)  
 \* **SY3000-37-29A** ..... 3 pcs. (Connector assembly)

↳ The asterisk denotes the symbol for assembly. Prefix it to the part nos. of the solenoid valve, etc.

\* Use manifold specification sheet.

## How to Order Valves



## How to Order Connector Assembly

12, 24 VDC	
Single solenoid	SY3000-37-28A
Double solenoid, 3 position type	SY3000-37-29A
Single solenoid, individual SUP, EXH spacer	SY3000-37-3A
Double solenoid, 3 position individual SUP/EXH spacer	SY3000-37-4A
Interface regulator for single solenoid	SY3000-37-3A
Double solenoid, 3 position interface regulator	SY3000-37-6A
3 port adaptor plate	SY3000-37-3A

100 VAC	
Single solenoid	SY3000-37-46A
Double solenoid, 3 position type	SY3000-37-47A
Single solenoid, individual SUP, EXH spacer	SY3000-37-32A
Double solenoid, 3 position individual SUP/EXH spacer	SY3000-37-33A
Interface regulator for single solenoid	SY3000-37-15A
Double solenoid, 3 position interface regulator	SY3000-37-34A
3 port adaptor plate	SY3000-37-32A

100 VAC (115 VAC)	
Single solenoid	SY3000-37-54A
Double solenoid, 3 position type	SY3000-37-55A
Single solenoid, individual SUP, EXH spacer	SY3000-37-35A
Double solenoid, 3 position individual SUP/EXH spacer	SY3000-37-36A
Interface regulator for single solenoid	SY3000-37-19A
Double solenoid, 3 position interface regulator	SY3000-37-37A
3 port adaptor plate	SY3000-37-35A

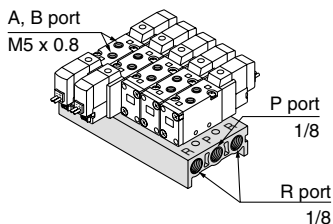
# 5 Port Solenoid Valve Rubber Seal Series SYJ5000

## Common SUP/Common EXH



Note) For more than 8 stations, supply air to both sides of P port and exhaust air from both sides of R port.

### Type 20 (5 Port/Body ported)



#### How to Order

SS5YJ5-20-05-□

Number of stations

02	2 stations
:	:
20	20 stations

P, R port thread type

Nil	Rc
00F	G
00N	NPT
00T	NPTF

#### Applicable solenoid valve

SYJ5□20-□□□□-<sup>M5</sup>  
SYJ5□23-□□□□-<sup>M5</sup>  
<sup>C4</sup>  
<sup>C6</sup>

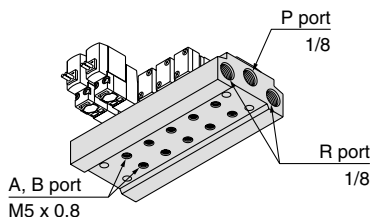
#### Applicable blanking plate assembly

SYJ5000-21-1A

#### Applicable individual EXH spacer assembly

SYJ5000-17-1A

### Type 40 (5 Port/Base mounted)



#### How to Order

SS5YJ5-40-05-M5-□

Stations

02	2 stations
:	:
20	20 stations

P, R port thread type

Nil	Rc
F	G
N	NPT
T	NPTF

A, B port size

M5	M5 x 0.8
----	----------

#### Applicable solenoid valve

SYJ5□40-□□□□  
SYJ5□43-□□□□  
SYJ5□50-□□□□  
SYJ5□53-□□□□

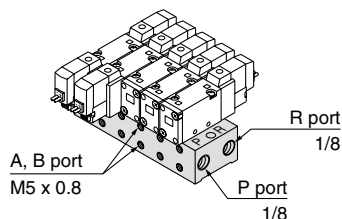
#### Applicable blanking plate assembly

SYJ5000-21-1A

#### Applicable individual EXH spacer assembly

ARBYJ5000-00-P

### Type 41 (5 Port/Base mounted)



#### How to Order

SS5YJ5-41-05-M5-□

Stations

02	2 stations
:	:
20	20 stations

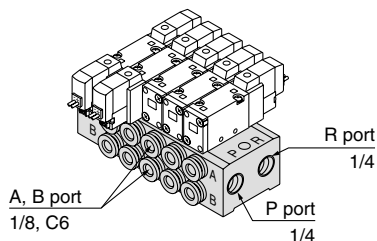
P, R port thread type

Nil	Rc
F	G
N	NPT
T	NPTF

A, B port size

M5	M5 x 0.8
----	----------

### Type 42 (5 Port/Base mounted)



#### How to Order

SS5YJ5-42-05-C6-□

Stations

02	2 stations
:	:
20	20 stations

A, B port size

01	1/8
C6	One-touch fitting for ø6
N7	One-touch fitting for ø1/4"

Thread type

Nil	Rc
F	G
N	NPT
T	NPTF

#### Applicable solenoid valve

SYJ5□40-□□□□  
SYJ5□43-□□□□  
SYJ5□50-□□□□  
SYJ5□53-□□□□

#### Applicable blanking plate assembly

SYJ5000-21-1A

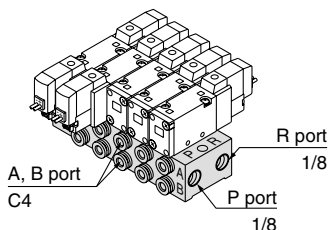
#### Applicable individual EXH spacer assembly

SYJ5000-17-1A

#### Applicable individual SUP spacer assembly

SYJ5000-16-2A

### Type 43 (5 Port/Base mounted)



#### How to Order

SS5YJ5-43-05-C4-□

Stations

02	2 stations
:	:
20	20 stations

A, B port size

C4	One-touch fitting for ø4
N3	One-touch fitting for ø5/32"

P, R port thread type

Nil	Rc
F	G
N	NPT
T	NPTF

#### Applicable individual SUP spacer assembly

ARBYJ5000-00-P

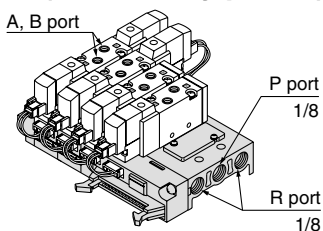
# Series SYJ5000

## Flat Ribbon Cable Manifold

### Common SUP/Common EXH

Note) For more than 8 stations, supply air to both sides of P port and exhaust air from both sides of R port.

#### Type 20 (5 Port/Body ported)



How to Order

**SS5YJ5-20P-05** [ ]

Number of stations

03	3 stations
:	:
12	12 stations

P, R port thread type

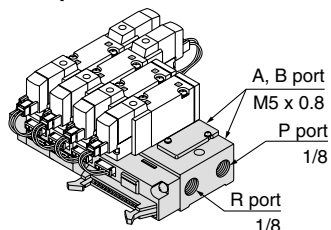
Nil	Rc
00F	G
00N	NPT
00T	NPTF

Applicable solenoid valve  
Refer to page 1-5-38.

Applicable blanking plate assembly  
SYJ5000-21-3A

Applicable connector assembly  
Refer to page 1-5-38.

#### Type 41P (5 Port/Base mounted)



How to Order

**SS5YJ5-41P-05-M5** [ ]

Number of stations

03	3 stations
:	:
12	12 stations

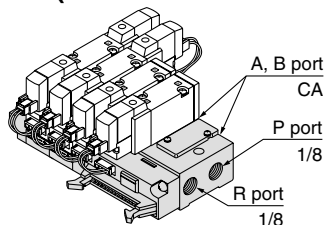
P, R port thread type

Nil	Rc
F	G
N	NPT
T	NPTF

Applicable solenoid valve  
Refer to page 1-5-38.

Applicable blanking plate assembly  
SYJ5000-21-3A

#### Type 43P (5 Port/Base mounted)



How to Order

**SS5YJ5-43P-05-C4** [ ]

Number of stations

03	3 stations
:	:
12	12 stations

A, B port size

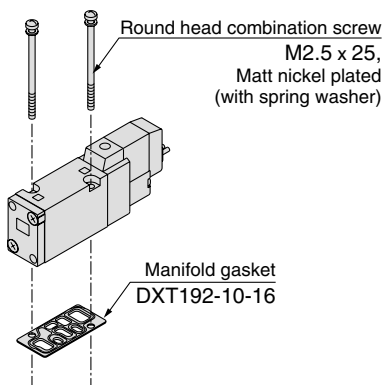
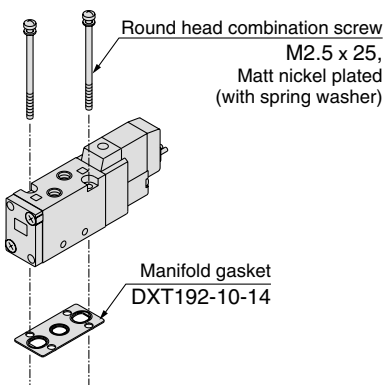
C4	One-touch fitting for $\phi 4$
N3	One-touch fitting for $\phi 5/32$ "

P, R port thread type

Nil	Rc
F	G
N	NPT
T	NPTF

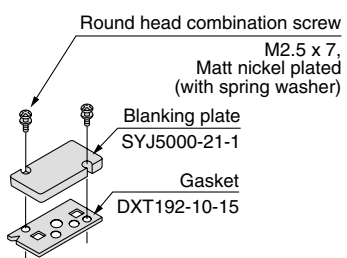
Applicable connector assembly  
Refer to page 1-5-38.

## Combinations of Solenoid Valve, Manifold Gasket and Manifold Base



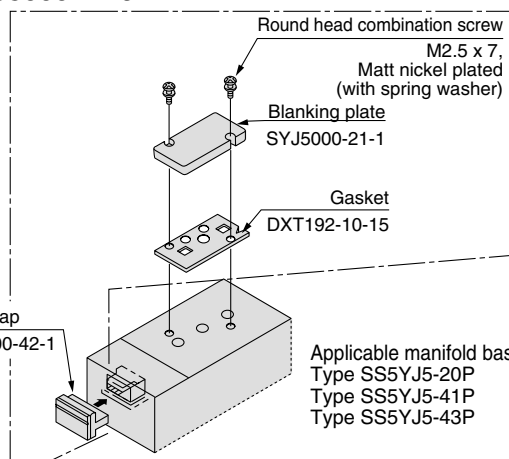
## L Blanking Plate Assembly

### SYJ5000-21-4A



Applicable manifold base  
Type SS5YJ5-20  
Type SS5YJ5-40  
Type SS5YJ5-41  
Type SS5YJ5-42  
Type SS5YJ5-43

### SYJ5000-21-3A



Applicable manifold base  
Type SS5YJ5-20P  
Type SS5YJ5-41P  
Type SS5YJ5-43P

### Caution

Mounting screw tightening torques

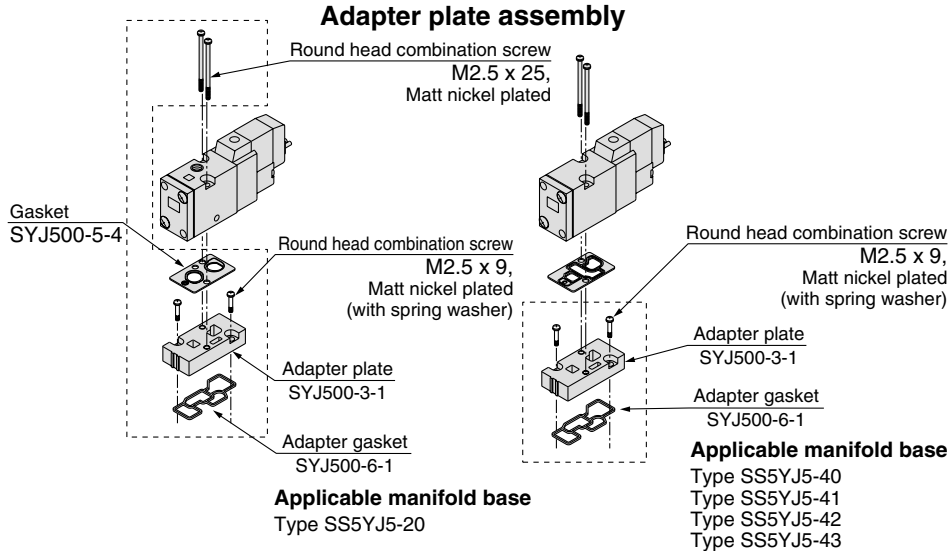
M2.5: 0.45 N·m

Use caution to the assembly orientation for solenoid valves, gasket, and optional parts.

# 5 Port Solenoid Valve Rubber Seal Series SYJ5000

## Mix Installation of the SYJ500 and the SYJ5000 Valves on the Same Manifold

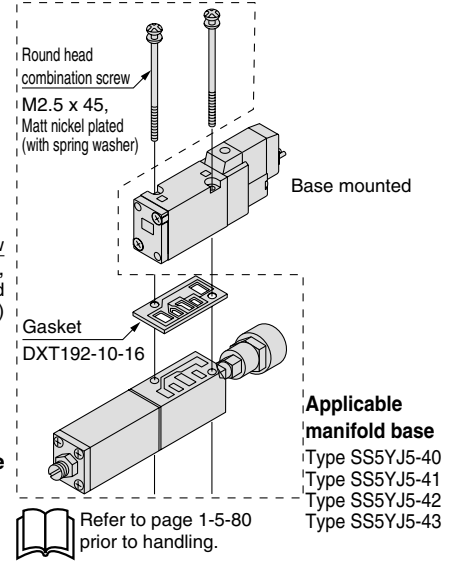
- Use of an adapter plate makes it possible to mount Series SYJ500 on the manifold bases of series SYJ5000.
- When mounting the SYJ500 valve on the SYJ5000 manifold, the SYJ500 solenoid must be positioned on the same side of the manifold as a single solenoid SYJ500. (Refer to the figure below.)
- For base mounted style, the A port of the 3 port valve flows out the B port of manifold base.



## Interface Regulator (P port regulation)

Spacer type regulating valve on manifold block can regulate the pressure to the valve individually.

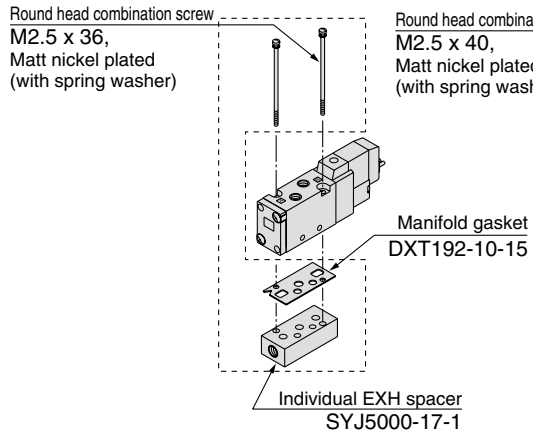
### ARBYJ5000-00-P



- SV
- SZ
- SY
- SYJ
- SX

## Individual EXH Spacer Assembly

### SYJ5000-17-1A

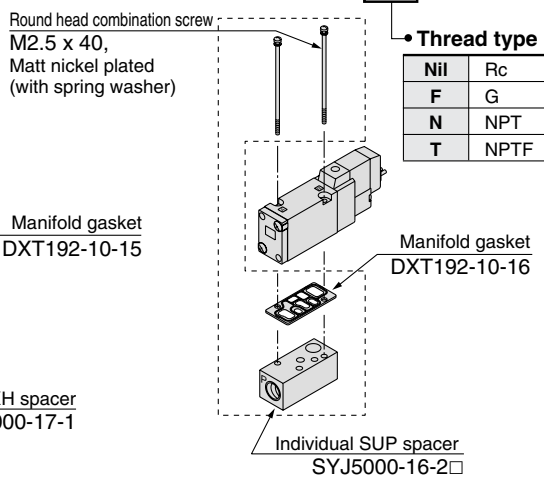


#### Applicable manifold base

- Type SS5YJ5-20
- Type SS5YJ5-40
- Type SS5YJ5-41
- Type SS5YJ5-42
- Type SS5YJ5-43

## Individual SUP Spacer Assembly

### SYJ5000-16-2 A



#### Applicable manifold base

- Type SS5YJ5-41
- Type SS5YJ5-42
- Type SS5YJ5-43

## ⚠ Caution

### Mounting screw tightening torques

M2.5: 0.45 N·m

Use caution to the assembly orientation for solenoid valves, gasket, and optional parts.

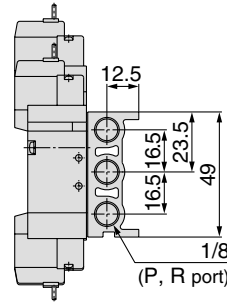
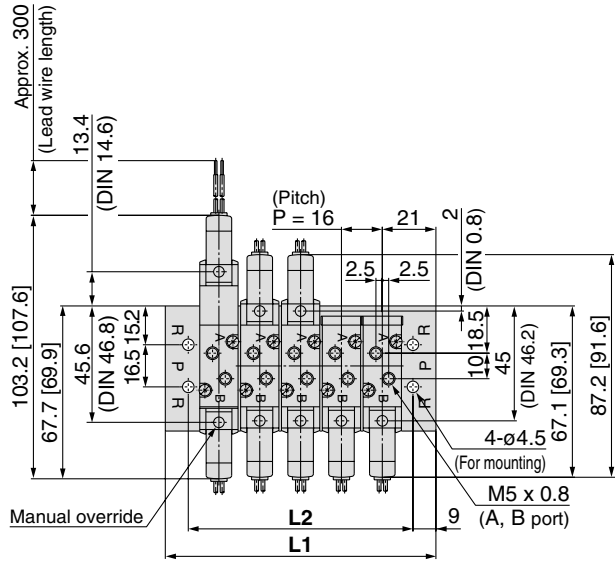


# Series SYJ5000

## Type 20: Top Ported/SS5YJ5-20- Stations -00□

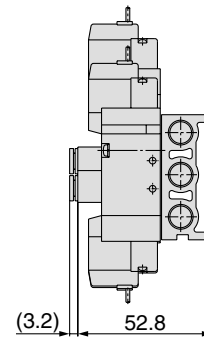
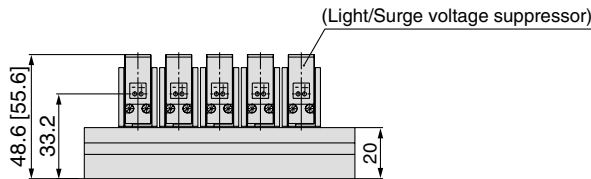


### Grommet (G)



### Built-in One-touch fitting

(Station n)----- (Station 1)

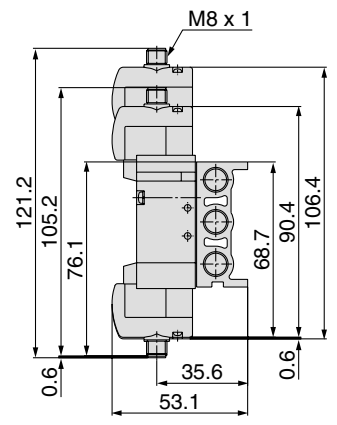
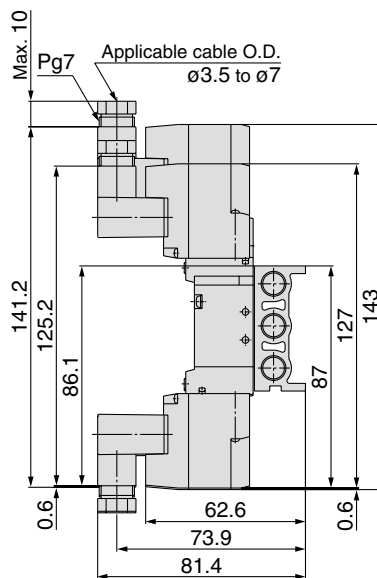
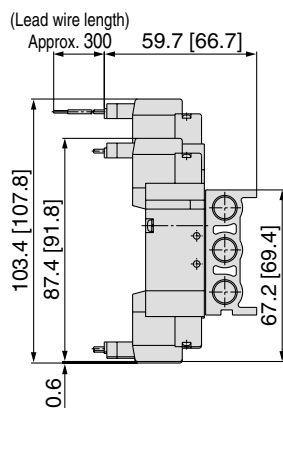
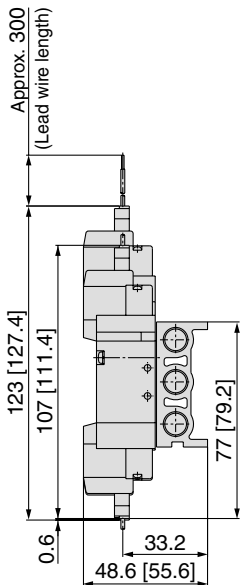


### L plug connector (L)

### M plug connector (M)

### DIN terminal (D)

### M8 connector (WO)



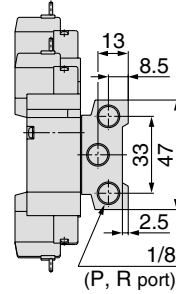
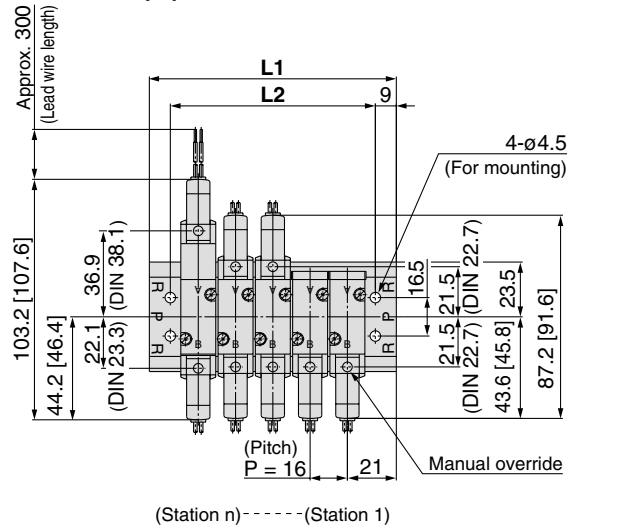
Refer to page 1-5-79 for dimensions with connector cable.

Station n	Station 2	3	4	5	6	7	8	9	10	11	12	13	14	15	16	17	18	19	Station 20
L1	58	74	90	106	122	138	154	170	186	202	218	234	250	266	282	298	314	330	346
L2	40	56	72	88	104	120	136	152	168	184	200	216	232	248	264	280	296	312	328

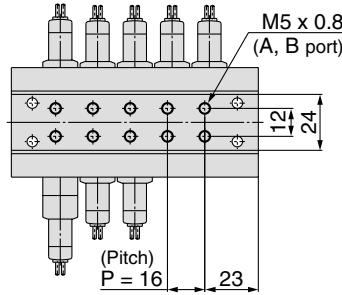
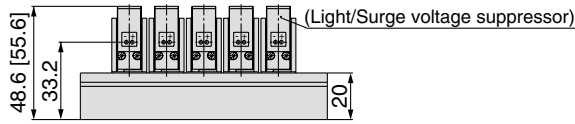
Type 40: Bottom Ported/SS5YJ5-40- Stations -M5□



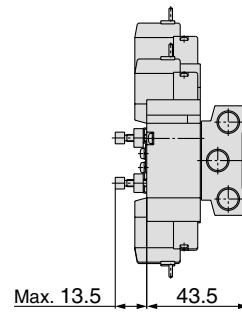
**Grommet (G)**



- SV
- SZ
- SY
- SYJ**
- SX



**Built-in speed controller**

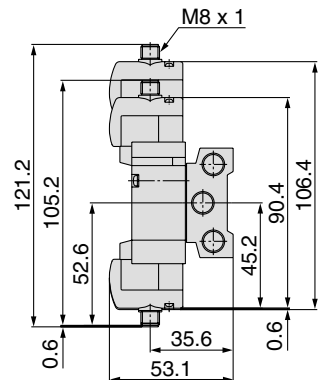
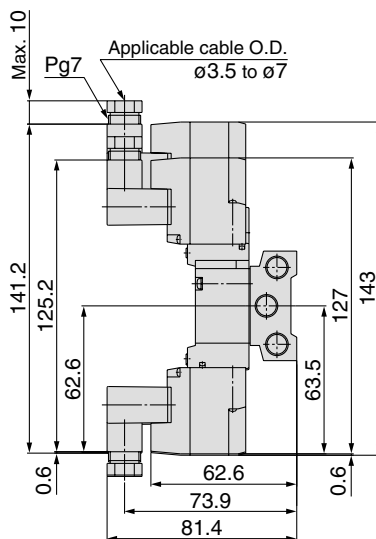
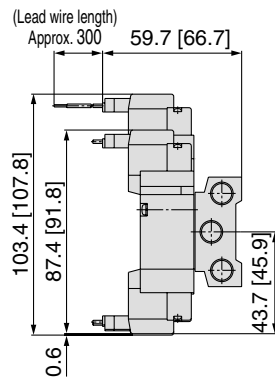
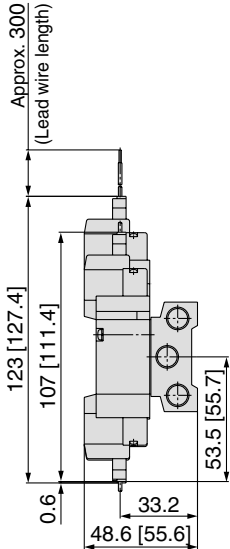


**L plug connector (L)**

**M plug connector (M)**

**DIN terminal (D)**

**M8 connector (WO)**



Refer to page 1-5-79 for dimensions with connector cable.

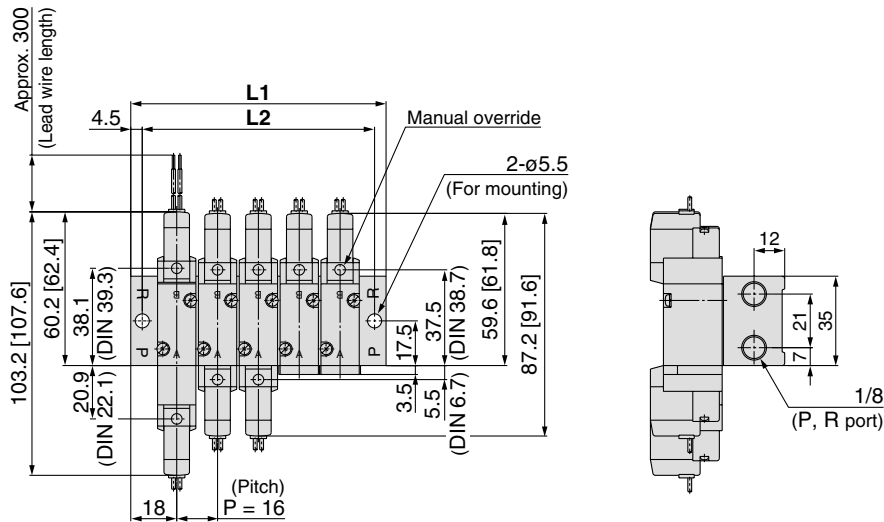
Station n	Station 2	3	4	5	6	7	8	9	10	11	12	13	14	15	16	17	18	19	Station 20
<b>L1</b>	58	74	90	106	122	138	154	170	186	202	218	234	250	266	282	298	314	330	346
<b>L2</b>	40	56	72	88	104	120	136	152	168	184	200	216	232	248	264	280	296	312	328

# Series SYJ5000

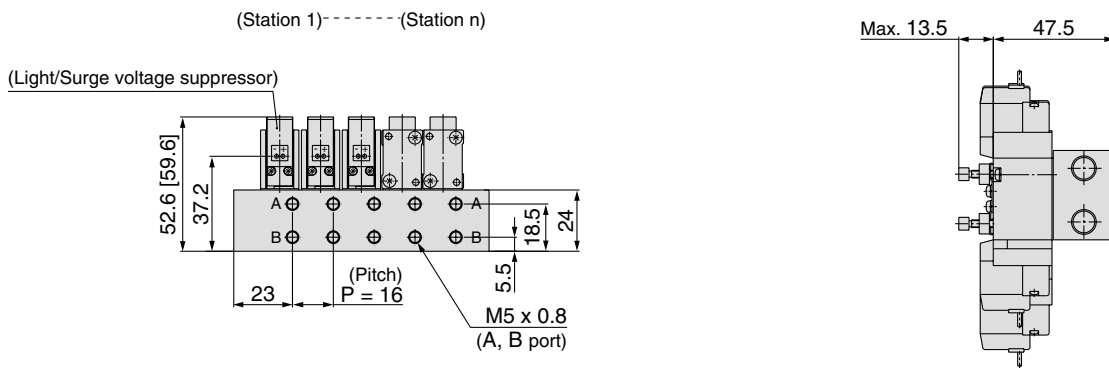
## Type 41: Side Ported/SS5YJ5-41- Stations -M5□



### Grommet (G)



### Built-in speed controller

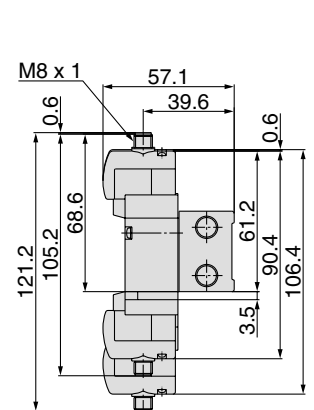
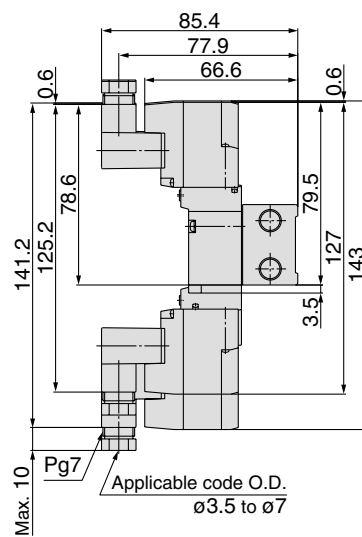
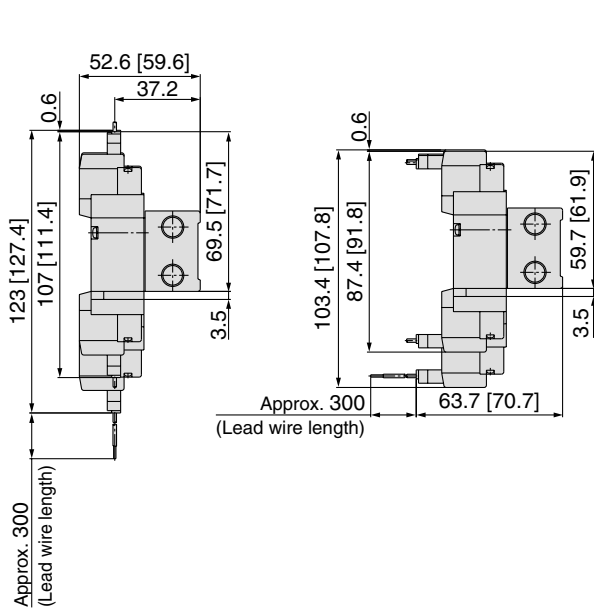


### L plug connector (L)

### M plug connector (M)

### DIN terminal (D)

### M8 connector (WO)



Refer to page 1-5-79 for dimensions with connector cable.

Station n	Station 2	3	4	5	6	7	8	9	10	11	12	13	14	15	16	17	18	19	Station 20
<b>L1</b>	52	68	84	100	116	132	148	164	180	196	212	228	244	260	276	292	308	324	340
<b>L2</b>	43	59	75	91	107	123	139	155	171	187	203	219	235	251	267	283	299	315	331

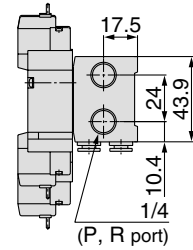
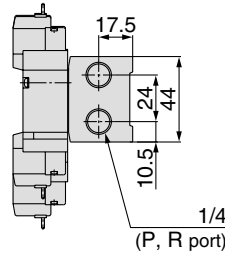
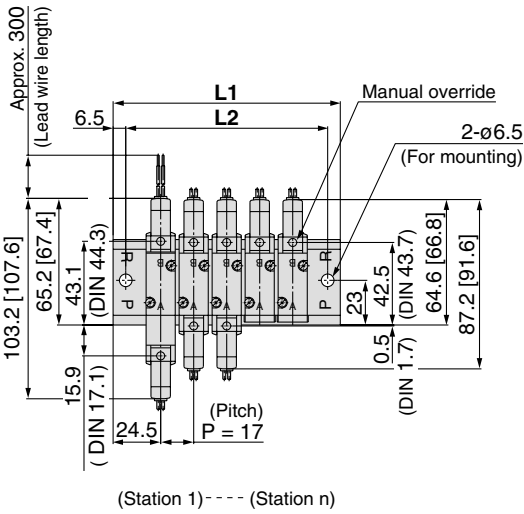
# 5 Port Solenoid Valve Rubber Seal Series SYJ5000

Type 42: Side Ported/SS5YJ5-42- Stations -01, C6 N7

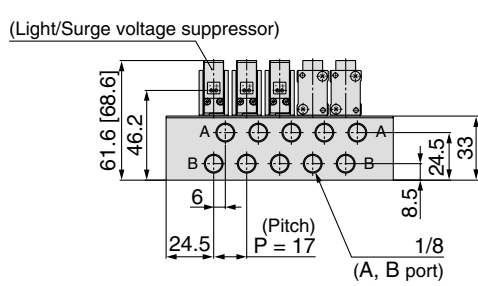


Grommet (G)  
For 01

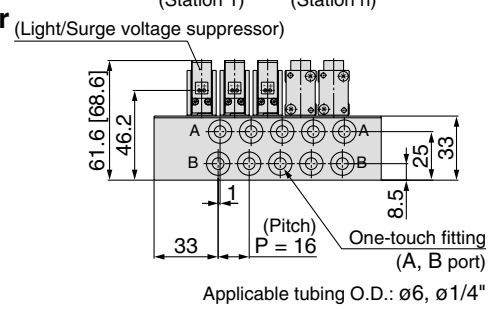
For C6 N7 (Built-in One-touch fitting)



- SV
- SZ
- SY
- SYJ**
- SX



**Built-in speed controller**



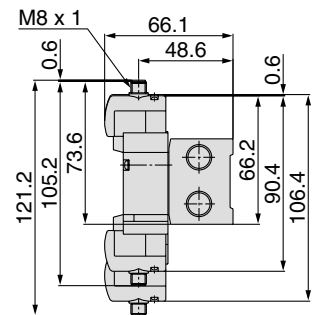
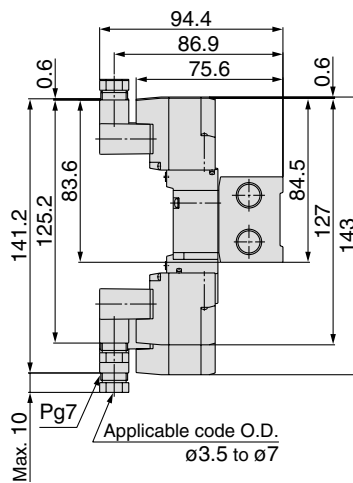
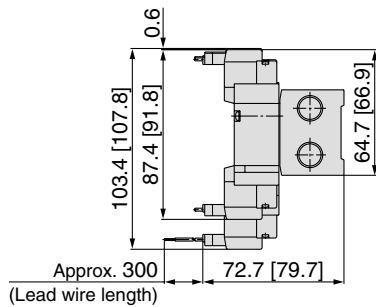
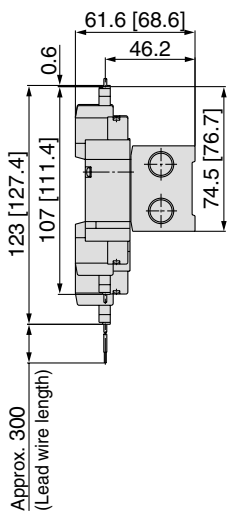
\* Other dimensions are the same as the grommet type.

L plug connector (L)

M plug connector (M)

DIN terminal (D)

M8 connector (WO)



Refer to page 1-5-79 for dimensions with connector cable.

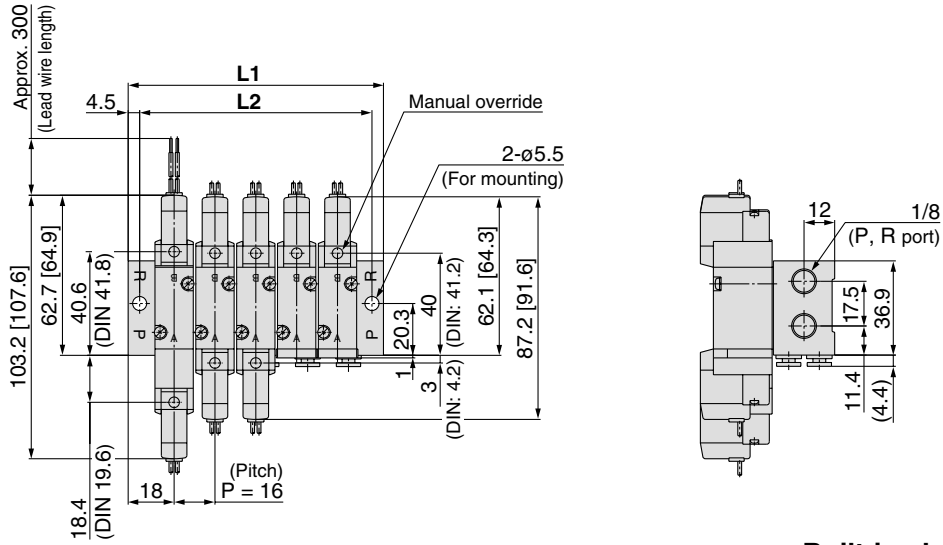
A, B port size	Station n	Station 2	3	4	5	6	7	8	9	10	11	12	13	14	15	16	17	18	19	Station 20
For 1/8	L1	66	83	100	117	134	151	168	185	202	219	236	253	270	287	304	321	338	355	372
	L2	53	70	87	104	121	138	155	172	189	206	223	240	257	274	291	308	325	342	359
For C6/N7	L1	65	81	97	113	129	145	161	177	193	209	225	241	257	273	289	305	321	337	353
	L2	52	68	84	100	116	132	148	164	180	196	212	228	244	260	276	292	308	324	340

# Series SYJ5000

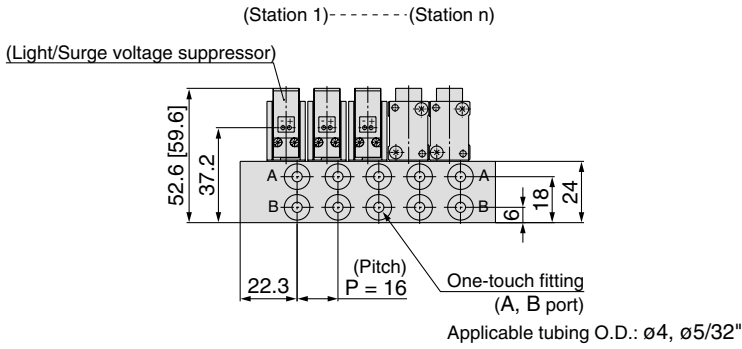
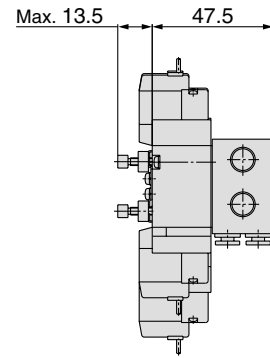
Type 43: Side Ported/SS5YJ3-43- Stations  C4  N3



## Grommet (G)



## Built-in slottle valve

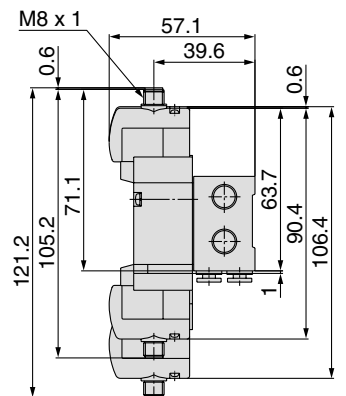
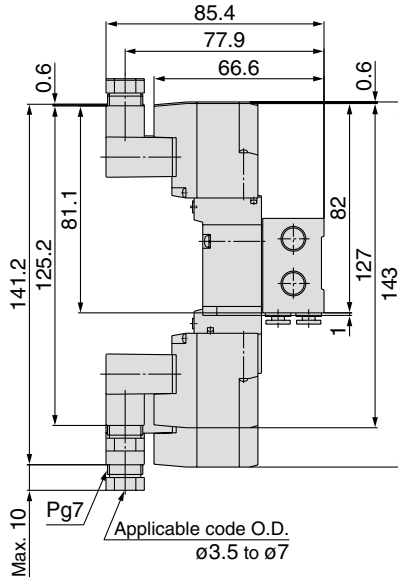
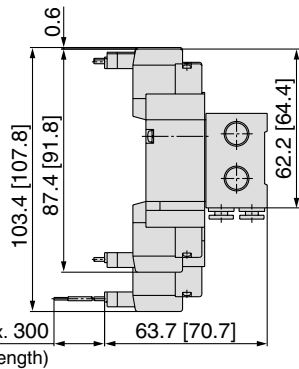
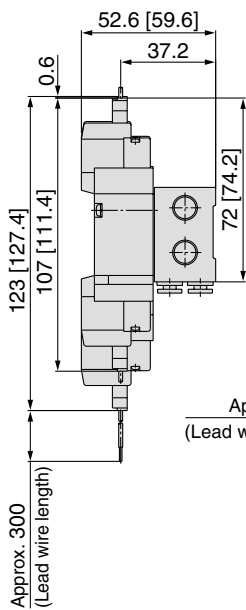


## L plug connector (L)

## M plug connector (M)

## DIN terminal (D)

## M8 connector (WO)



Refer to page 1-5-79 for dimensions with connector cable.

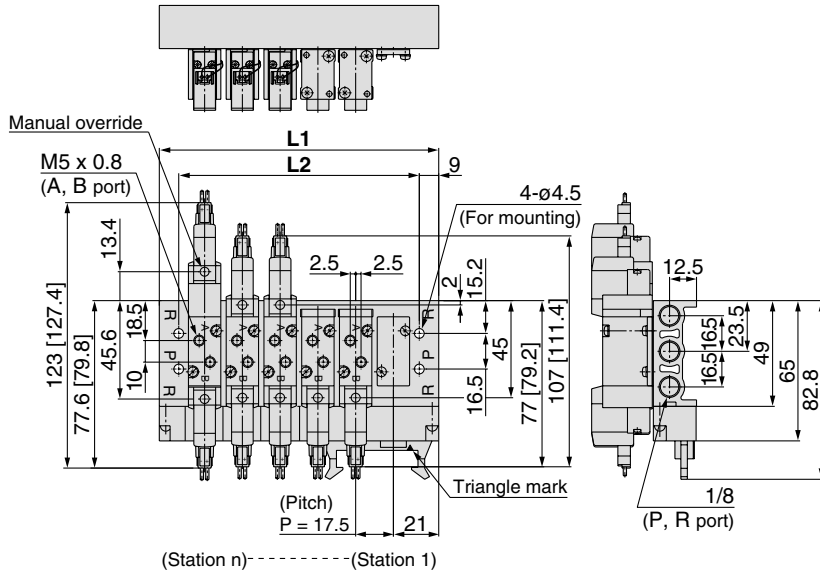
Station n	Station 2	3	4	5	6	7	8	9	10	11	12	13	14	15	16	17	18	19	Station 20
L1	52	68	84	100	116	132	148	164	180	196	212	228	244	260	276	292	308	324	340
L2	43	59	75	91	107	123	139	155	171	187	203	219	235	251	267	283	299	315	331



## Flat Ribbon Cable Manifold

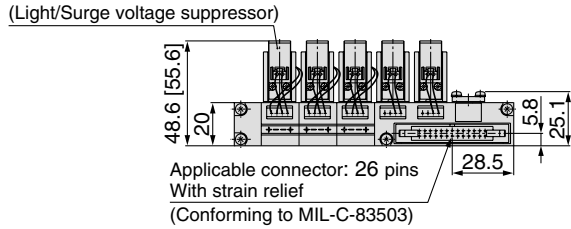
### SS5YJ5-20P- Stations -00□

For <sup>C4 N3</sup><sub>C6 N7</sub> (Built-in One-touch fitting)



One-touch fitting ø6, ø1/4"  
(A, B port)  
Applicable tubing O.D.:  
ø4, ø5/32", ø6, ø1/4"

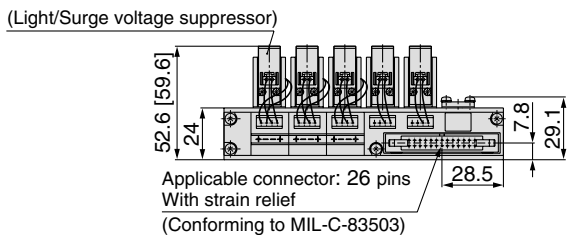
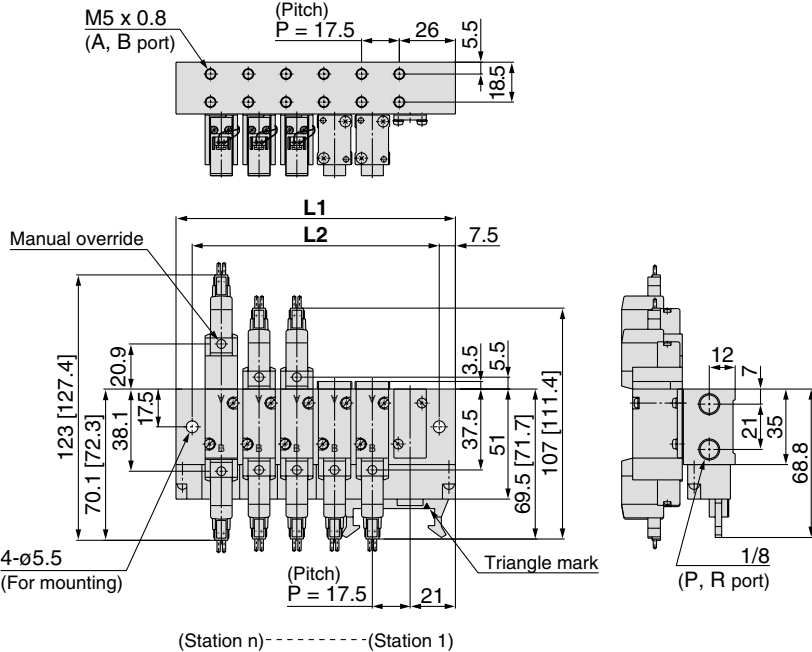
- SV
- SZ
- SY
- SYJ**
- SX



Station n	Station 3	4	5	6	7	8	9	10	11	Station 12
<b>L1</b>	77	94.5	112	129.5	147	164.5	182	199.5	217	234.5
<b>L2</b>	59	76.5	94	111.5	129	146.5	164	181.5	199	216.5

### SS5YJ5-41P- Stations -M5□

Built-in slottle valve



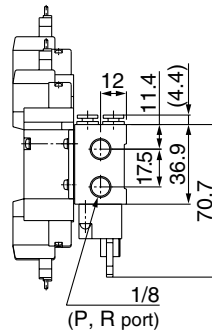
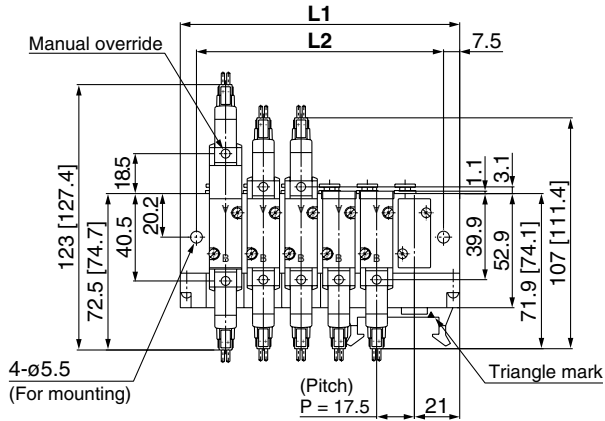
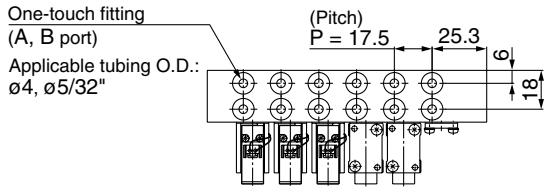
Station n	Station 3	4	5	6	7	8	9	10	11	Station 12
<b>L1</b>	77	94.5	112	129.5	147	164.5	182	199.5	217	234.5
<b>L2</b>	62	79.5	97	114.5	132	149.5	167	184.5	202	219.5

# Series SYJ5000

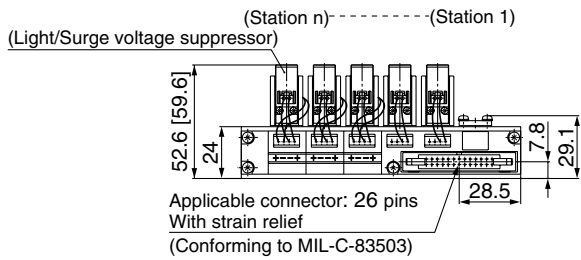
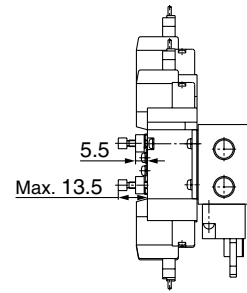
## Flat Ribbon Cable Manifold



SS5YJ5-43P- Stations  C4  
N3



### Built-in speed controller



Station n	Station 3	4	5	6	7	8	9	10	11	Station 12
<b>L1</b>	77	94.5	112	129.5	147	164.5	182	199.5	217	234.5
<b>L2</b>	62	79.5	97	114.5	132	149.5	167	184.5	202	219.5