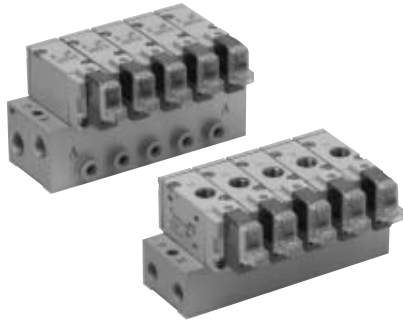


Series SYJ700 Manifold Specifications



Manifold Specifications

Model	For internal pilot	Type 20	Type 21	Type 40	Type 41	Type 42
	For external pilot	—	Type 21R	—	Type 41R	Type 42R
Manifold type		Single base/B mount				
P (SUP), R (EXH)		Common SUP, common EXH				
Valve stations		2 to 20 stations				
A port Porting specifications	Location	Valve	Valve	Base	Base	Base
	Direction	Top	Top	Bottom	Bottom	Side
Port size	P, R port	1/8	1/4	1/8	1/4	1/4
	A port	1/8	1/8	1/8	1/8	1/8 C6 (ø6 one-touch fitting) C8 (ø8 one-touch fitting)
	X port ^{Note)}	—	M3 x 0.8	—	M5 x 0.8	M5 x 0.8

Note) Only for external pilot

Flow Characteristics

Manifold			Port size		Flow characteristics					
					1 → 2 (P → A)			2 → 3 (A → R)		
			1(P), 3(R) port	2(A) port	C [dm ³ /(s·bar)]	b	Cv	C [dm ³ /(s·bar)]	b	Cv
Body ported for internal pilot	Type SS3YJ7-20	SYJ7□2	1/8	1/8	2.2	0.34	0.55	2.3	0.27	0.59
	Type SS3YJ7-21		1/4	1/8	2.2	0.39	0.59	2.4	0.32	0.62
Base mounted for internal pilot	Type SS3YJ7-40	SYJ7□4	1/8	1/8	2.1	0.35	0.59	2.3	0.27	0.54
	Type SS3YJ7-41		1/4	1/8	2.2	0.35	0.59	2.4	0.36	0.66
	Type SS3YJ7-42-01		1/4	1/8	2.0	0.27	0.47	2.2	0.32	0.56
	Type SS3YJ7-42-C6		1/4	C6	1.6	0.32	0.39	2.2	0.27	0.54
	Type SS3YJ7-42-C8		1/4	C8	2.1	0.24	0.51	2.3	0.31	0.59
Body ported for external pilot	Type SS3YJ7-21R	SYJ7□2R	1/4	1/8	2.2	0.34	0.55	2.4	0.32	0.62
Base mounted for external pilot	Type SS3YJ7-41R	SYJ7□4R	1/4	1/8	2.2	0.35	0.59	2.4	0.36	0.66
	Type SS3YJ7-42R-01		1/4	1/8	2.0	0.27	0.47	2.2	0.32	0.56
	Type SS3YJ7-42R-C6		1/4	C6	1.6	0.32	0.39	2.2	0.27	0.54
	Type SS3YJ7-42R-C8		1/4	C8	2.1	0.24	0.51	2.3	0.31	0.59

Note) Value at manifold base mounted, 2 position single operating

How to Order Manifold (Example)

Instruct by specifying the valves and blanking plate assembly to be mounted on the manifold along with the manifold base model no.

Example:

- SS3YJ7-20-031 set (Manifold base)
- SS3YJ7-42R-03-011 set (Manifold base)
- * SYJ712-5LZ-012 sets (Valve)
- * SYJ714R-5G2 sets (Valve)
- * SYJ700-10-1A1 set (Blanking plate assembly)
- * SYJ700-10-2A1 set (Blanking plate assembly)

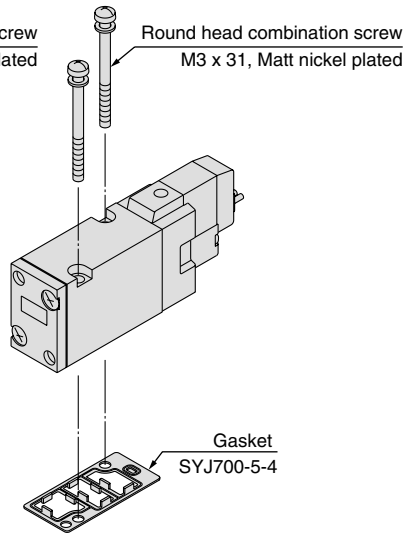
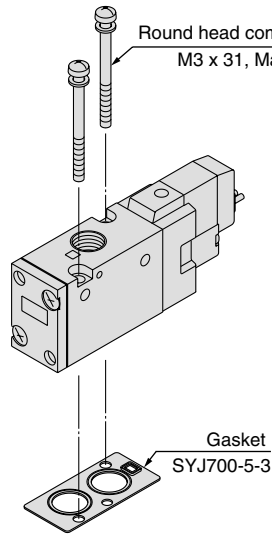
↳ The asterisk denotes the symbol for assembly. Prefix it to the part nos. of the solenoid valve, etc.

3 Port Pilot Operated Solenoid Valve Rubber Seal Series SYJ700

Combinations of Solenoid Valve, Manifold Gasket and Manifold Base

Body ported (Type SYJ7□2)

Base mounted (Type SYJ7□4)



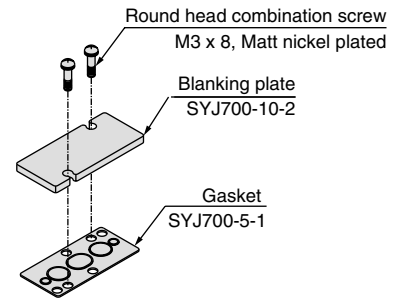
Applicable base
SS3YJ7-20
SS3YJ7-21
SS3YJ7-21R } Manifold
base

Applicable base
Sub-plate
SS3YJ7-40
SS3YJ7-41
SS3YJ7-42
SS3YJ7-41R
SS3YJ7-42R } Manifold
base

Blanking Plate Assembly

Part no.: SYJ700-10-2A

(In common for body ported type and base mounted type)



V100

SY

SYJ

VK

VZ

VT

VP

VG

VP

S070

VQ

VKF

VQZ

VZ

VS

VFN

Caution

Mounting screw tightening torques

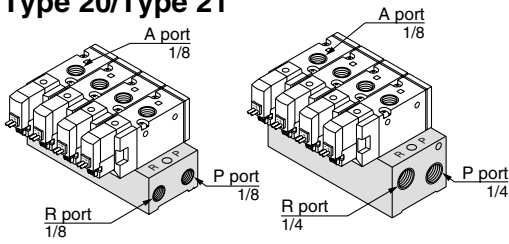
M3: 0.8 N·m

Use caution to the assembly orientation for solenoid valves, gasket, and optional parts.

Series SYJ700

Manifold for Internal Pilot Type

Type 20/Type 21



How to Order

SS3YJ7-20-05-□

Manifold type	
20	Type 20
21	Type 21

Stations	
02	2 stations
:	:
20	20 stations

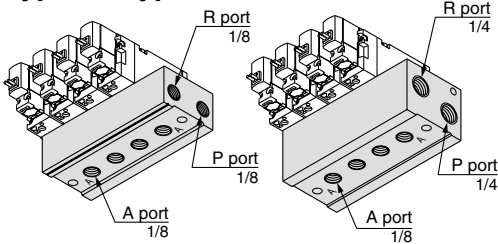
P, R port thread type	
Nil	Rc
00F	G
00N	NPT
00T	NPTF

Applicable solenoid valve
 SYJ712-□□□□-01
 SYJ712M-□□□□-01
 SYJ722-□□□□-01
 SYJ722M-□□□□-01

Applicable blanking plate assembly
 SYJ700-10-2A

Note) If there are more than 6 stations for type 20, or more than 9 stations for 21 type, supply air to both sides of P port and exhaust air from both sides of R port.

Type 40/Type 41



How to Order

SS3YJ7-40-05-01-□

Manifold type	
40	Type 40
41	Type 41

Stations	
02	2 stations
:	:
20	20 stations

A port size	
01	1/8

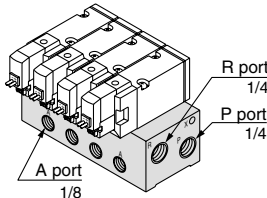
P, R port thread type	
Nil	Rc
F	G
N	NPT
T	NPTF

Applicable solenoid valve
 SYJ714-□□□□
 SYJ714M-□□□□
 SYJ724-□□□□
 SYJ724M-□□□□

Applicable blanking plate assembly
 SYJ700-10-2A

Note) If there are more than 6 stations for type 40, or more than 9 stations for 41 type, supply air to both sides of P port and exhaust air from both sides of R port.

Type 42



How to Order

SS3YJ7-42-05-C6-□

Stations	
02	2 stations
:	:
20	20 stations

A port size	
01	1/8
C6	ø6 One-touch fitting
C8	ø8 One-touch fitting
N7	ø1/4" One-touch fitting
N9	ø5/16" One-touch fitting

P, R port thread type	
Nil	Rc
F	G
N	NPT
T	NPTF

Applicable solenoid valve
 SYJ714-□□□□
 SYJ714M-□□□□
 SYJ724-□□□□
 SYJ724M-□□□□

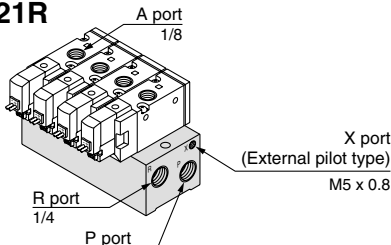
Applicable blanking plate assembly
 SYJ700-10-2A

Note) For more than 9 stations, supply air to both sides of P port and exhaust air from both sides of R port.

Manifold for External Pilot Type

Pilot valve pressure is supplied separately from the main valve pressure through the use of a separate supply port. It can be used in the vacuum (up to -100 kPa) or low pressure line with 0.15 MPa or less.

Type 21R



How to Order

SS3YJ7-21R-05-□

Stations	
02	2 stations
:	:
20	20 stations

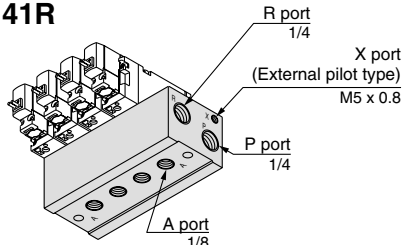
P, R port thread type	
Nil	Rc
00F	G
00N	NPT
00T	NPTF

Applicable solenoid valve
 SYJ712R-□□□□-01
 SYJ722R-□□□□-01

Applicable blanking plate assembly
 SYJ700-10-2A

Note) For more than 9 stations, supply/exhaust air to/from both sides of P and R port.

Type 41R



How to Order

SS3YJ7-41R-05-01-□

Stations	
02	2 stations
:	:
20	20 stations

A port size	
01	1/8

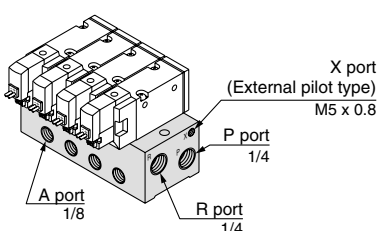
P, R port thread type	
Nil	Rc
F	G
N	NPT
T	NPTF

Applicable solenoid valve
 SYJ714R-□□□□
 SYJ724R-□□□□

Applicable blanking plate assembly
 SYJ700-10-2A

Note) For more than 9 stations, supply/exhaust air to/from both sides of P and R port.

Type 42R



How to Order

SS3YJ7-42R-05-01-□

Stations	
02	2 stations
:	:
20	20 stations

A port size	
01	1/8
C6	ø6 One-touch fitting
C8	ø8 One-touch fitting
N7	ø1/4" One-touch fitting
N9	ø5/16" One-touch fitting

P, R port thread type	
Nil	Rc
F	G
N	NPT
T	NPTF

Applicable solenoid valve
 SYJ714R-□□□□
 SYJ724R-□□□□

Applicable blanking plate assembly
 SYJ700-10-2A

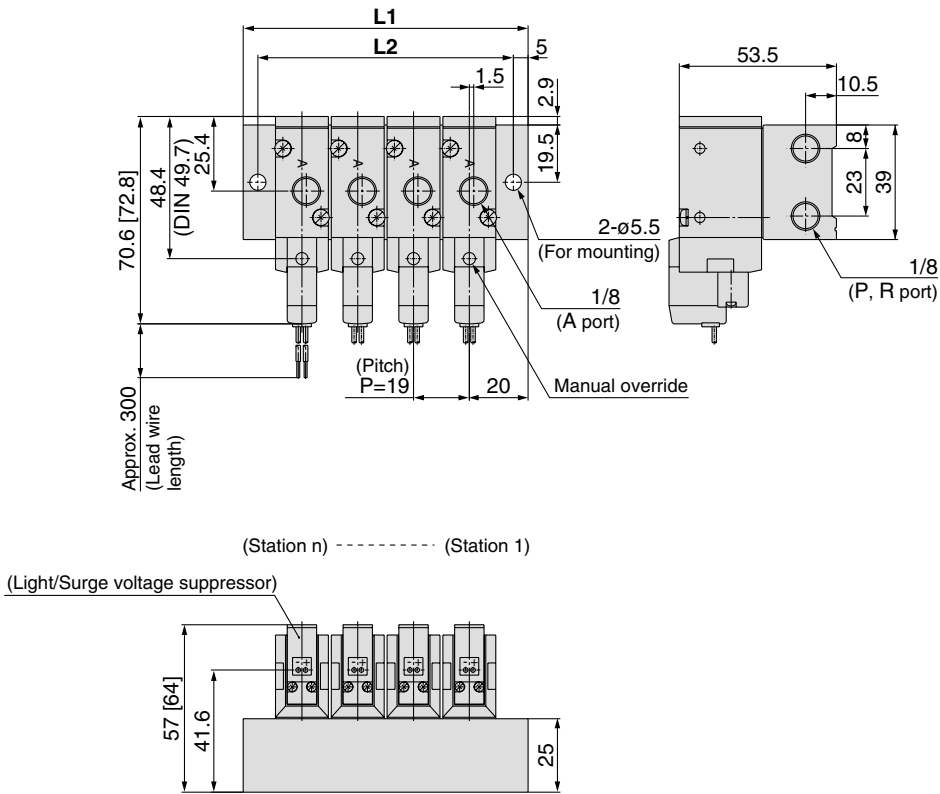
Note) For more than 9 stations, supply/exhaust air to/from both sides of P and R port.

3 Port Pilot Operated Solenoid Valve Rubber Seal Series SYJ700

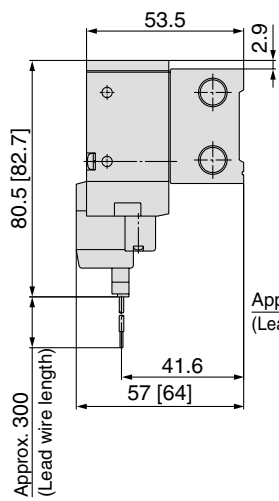
Type 20 Manifold: Top Ported/SS3YJ7-20- Stations (-00□)



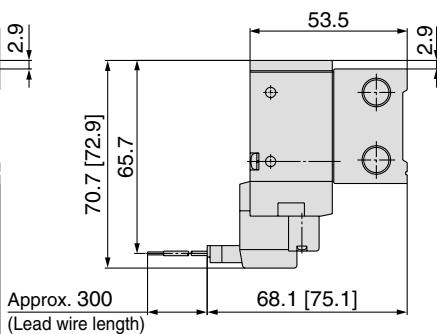
Grommet (G)



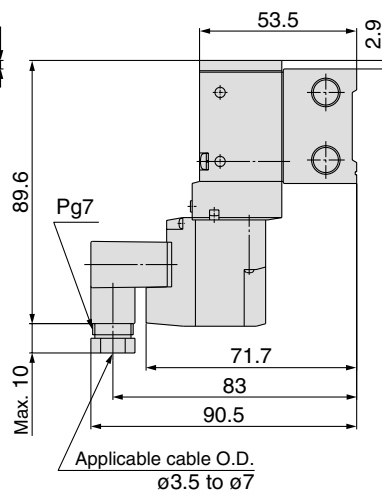
L plug connector (L)



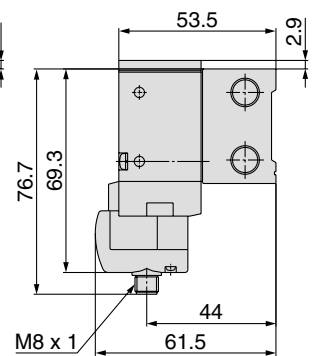
M plug connector (M)



DIN terminal (D)



M8 connector (WO)



* Refer to page 4-4-61 for dimensions with connector cable.

Station n	Station 2	3	4	5	6	7	8	9	10	11	12	13	14	15	16	17	18	19	Station 20
L1	59	78	97	116	135	154	173	192	211	230	249	268	287	306	325	344	363	382	401
L2	49	68	87	106	125	144	163	182	201	220	239	258	277	296	315	334	353	372	391

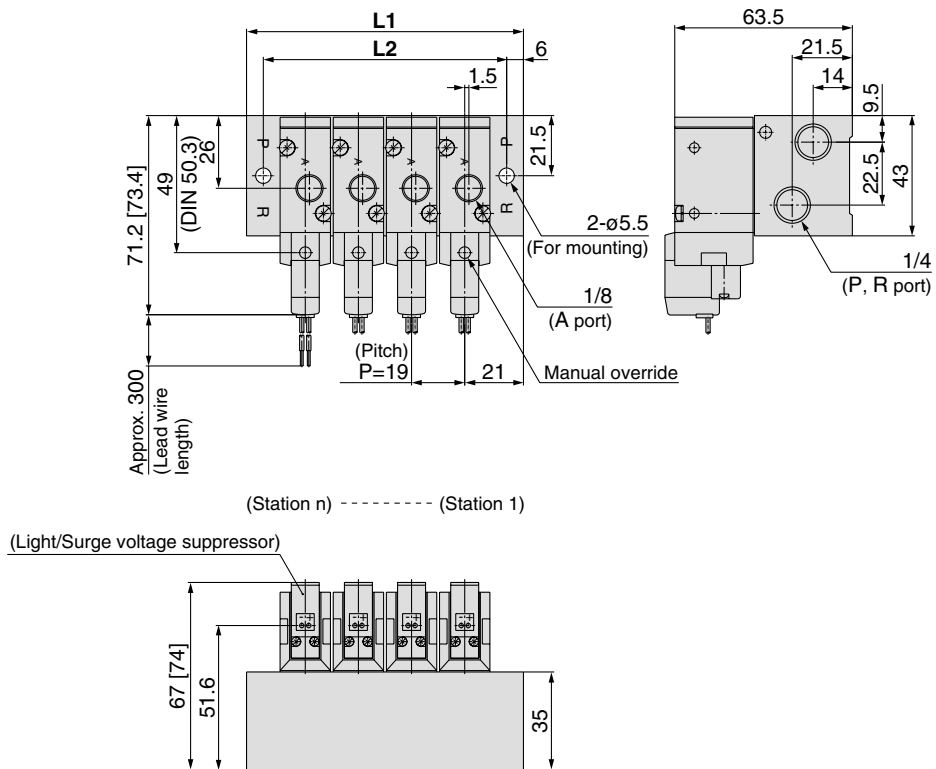
- V100
- SY
- SYJ**
- VK
- VZ
- VT
- VP
- VG
- VP
- S070
- VQ
- VKF
- VQZ
- VZ
- VS
- VFN

Series SYJ700

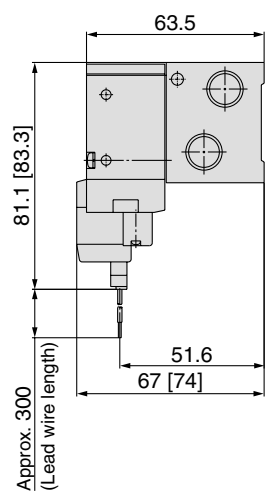
Type 21 Manifold: Top Ported/SS3YJ7-21- Stations (-00□)



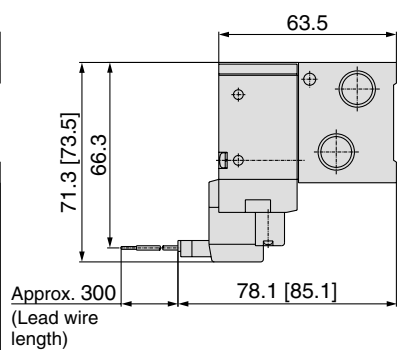
Grommet (G)



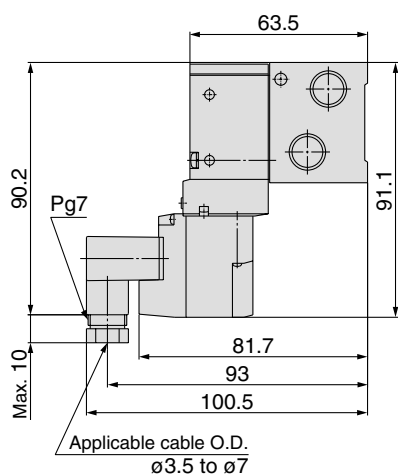
L plug connector (L)



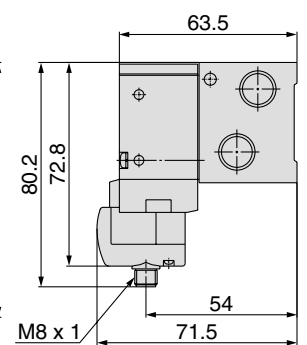
M plug connector (M)



DIN terminal (D)



M8 connector (WO)



* Refer to page 4-4-61 for dimensions with connector cable.

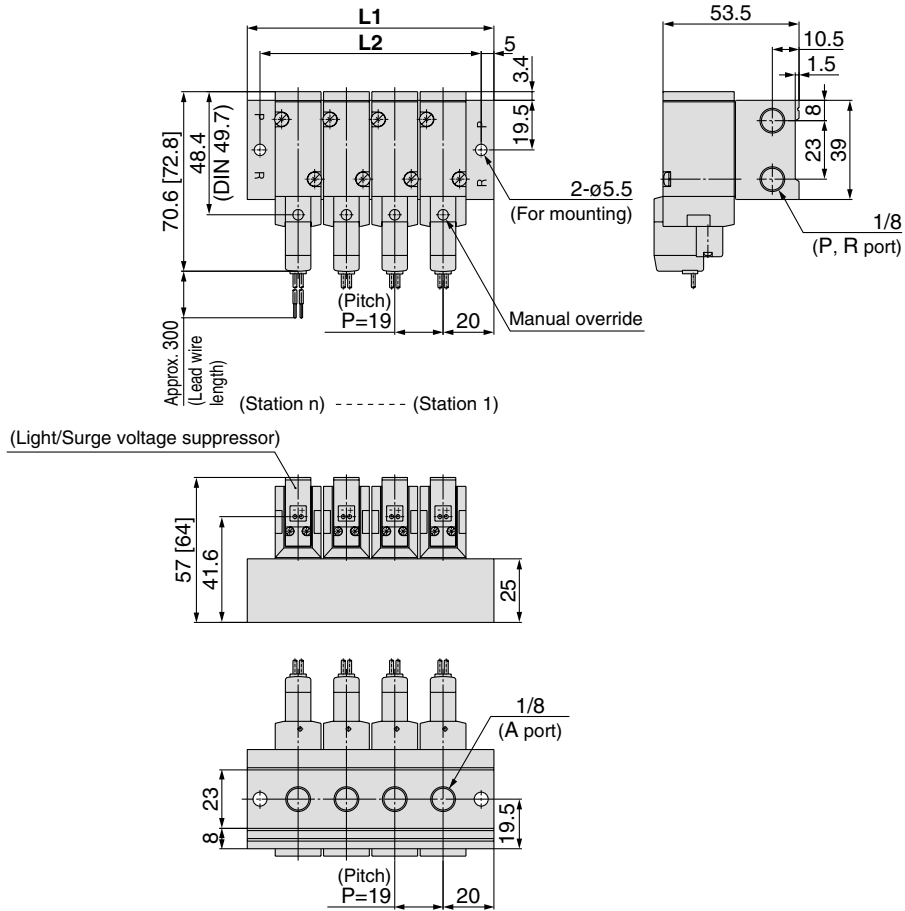
Station n	Station 2	3	4	5	6	7	8	9	10	11	12	13	14	15	16	17	18	19	Station 20
L1	61	80	99	118	137	156	175	194	213	232	251	270	289	308	327	346	365	384	403
L2	49	68	87	106	125	144	163	182	201	220	239	258	277	296	315	334	353	372	391

3 Port Pilot Operated Solenoid Valve Rubber Seal Series SYJ700

Type 40 Manifold: Bottom Ported/SS3YJ7-40-**Stations**-01□



Grommet (G)



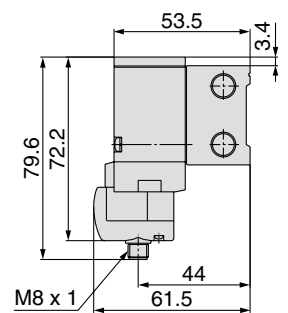
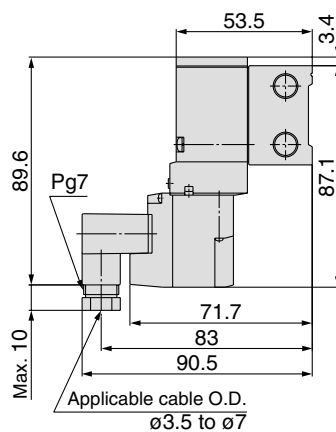
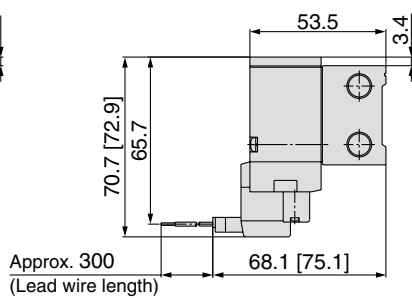
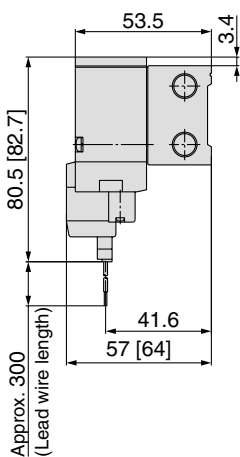
- V100
- SY
- SYJ**
- VK
- VZ
- VT
- VP
- VG
- VP
- S070
- VQ
- VKF
- VQZ
- VZ
- VS
- VFN

L plug connector (L)

M plug connector (M)

DIN terminal (D)

M8 connector (WO)



* Refer to page 4-4-61 for dimensions with connector cable.

Station n	Station 2	3	4	5	6	7	8	9	10	11	12	13	14	15	16	17	18	19	Station 20
L1	59	78	97	116	135	154	173	192	211	230	249	268	287	306	325	344	363	382	401
L2	49	68	87	106	125	144	163	182	201	220	239	258	277	296	315	334	353	372	391

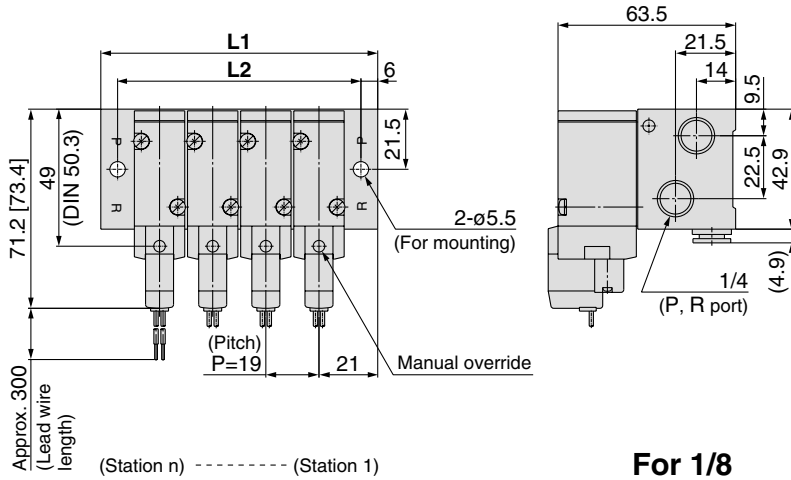
Series SYJ700

Type 42 Manifold: Side Ported/SS3YJ7-42- Stations -01, C6 N7 C8 N9

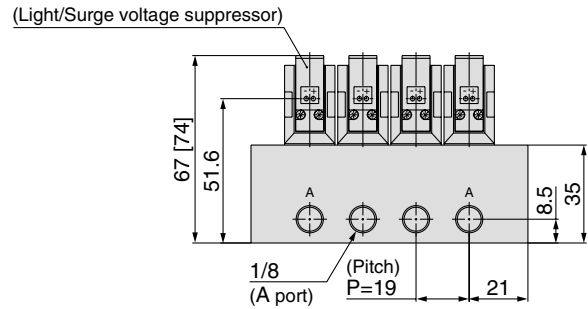
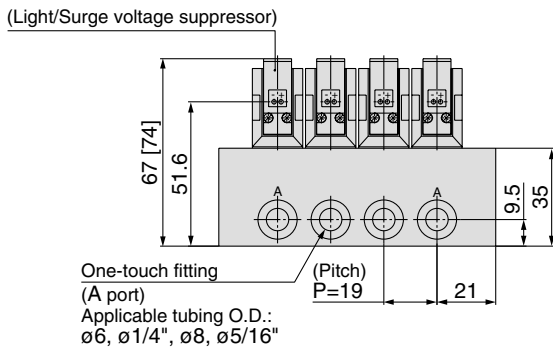


Grommet (G)

For C6, N7 C8, N9 (Built-in One-touch fitting)



For 1/8

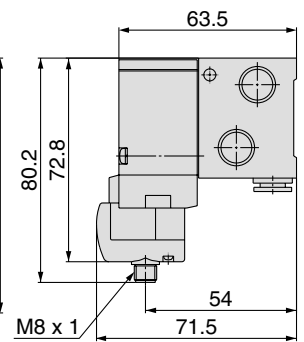
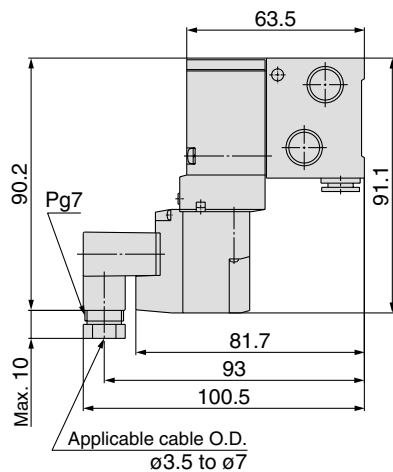
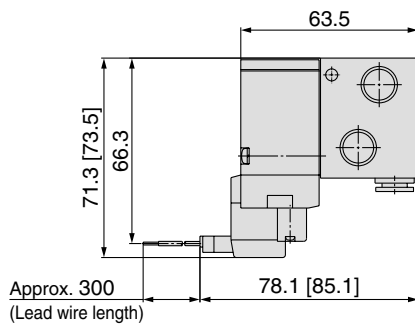
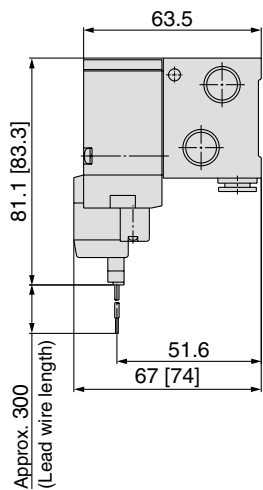


L plug connector (L)

M plug connector (M)

DIN terminal (D)

M8 connector (WO)



* Refer to page 4-4-61 for dimensions with connector cable.

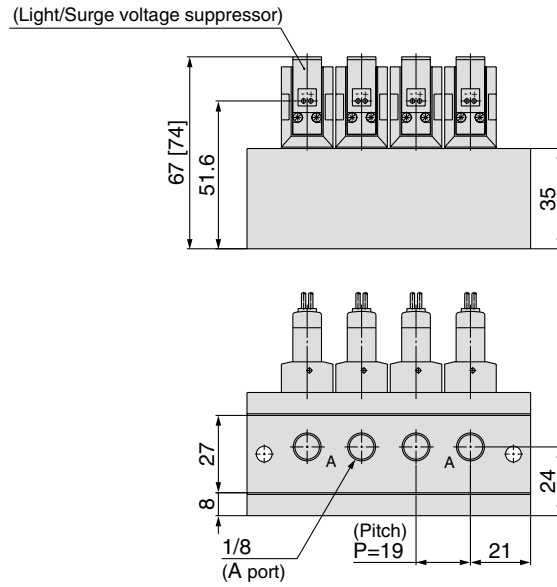
Station n	Station 2	3	4	5	6	7	8	9	10	11	12	13	14	15	16	17	18	19	Station 20
L1	61	80	99	118	137	156	175	194	213	232	251	270	289	308	327	346	365	384	403
L2	49	68	87	106	125	144	163	182	201	220	239	258	277	296	315	334	353	372	391

3 Port Pilot Operated Solenoid Valve Rubber Seal Series **SYJ700**

Type 41 Manifold: Bottom Ported/SS3YJ7-41- Stations -01 □

* [] for AC

Grommet (G)



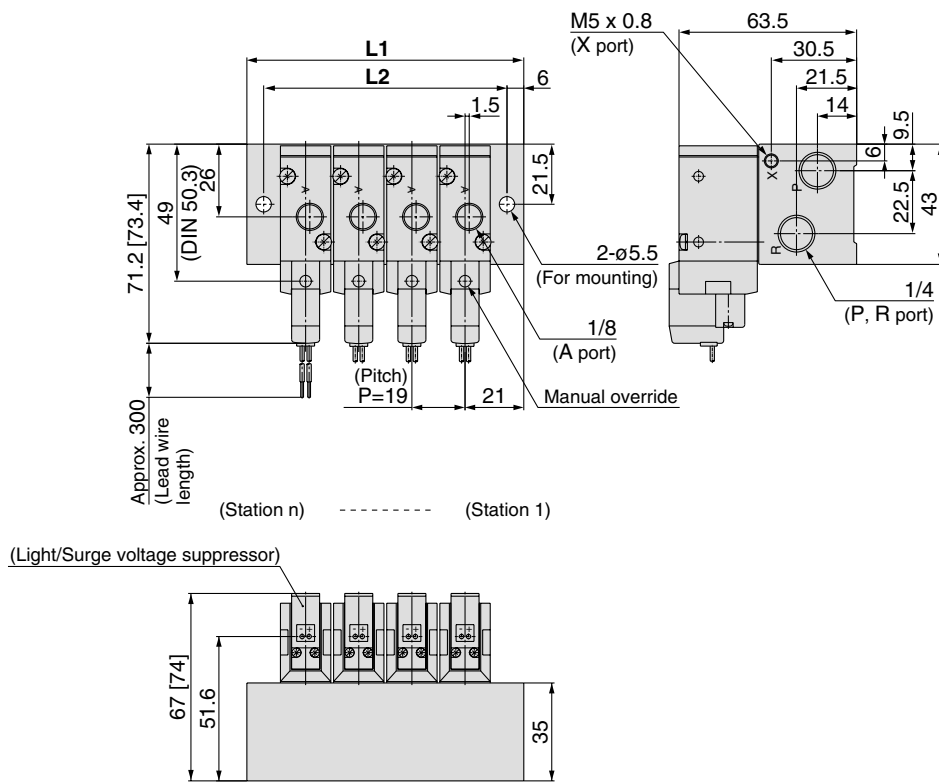
- V100
- SY
- SYJ**
- VK
- VZ
- VT
- VP
- VG
- VP
- S070
- VQ
- VKF
- VQZ
- VZ
- VS
- VFN

Series SYJ700

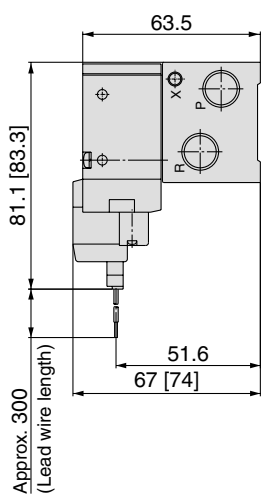
Type 21R Manifold: Top Ported (External Pilot Type)/SS3YJ7-21R- Stations (-00□)



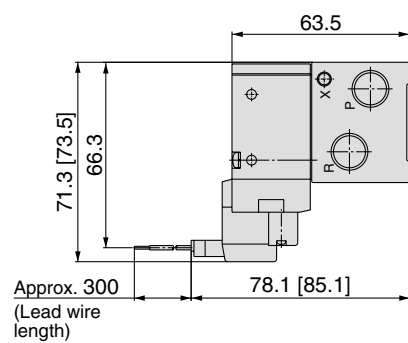
Grommet (G)



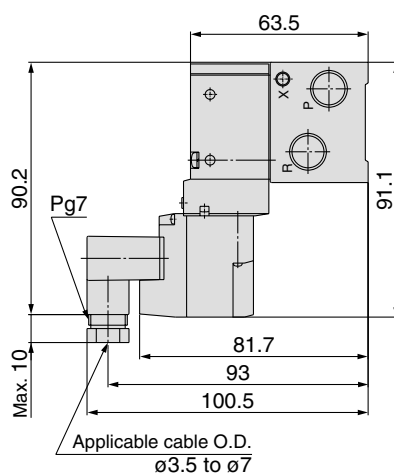
L plug connector (L)



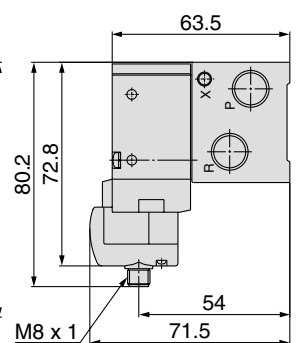
M plug connector (M)



DIN terminal (D)



M8 connector (WO)



* Refer to page 4-4-61 for dimensions with connector cable.

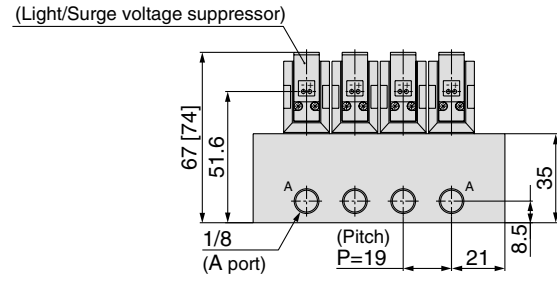
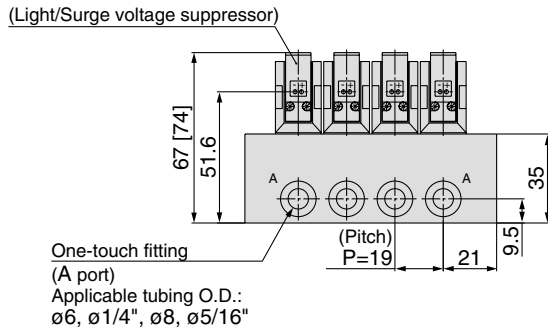
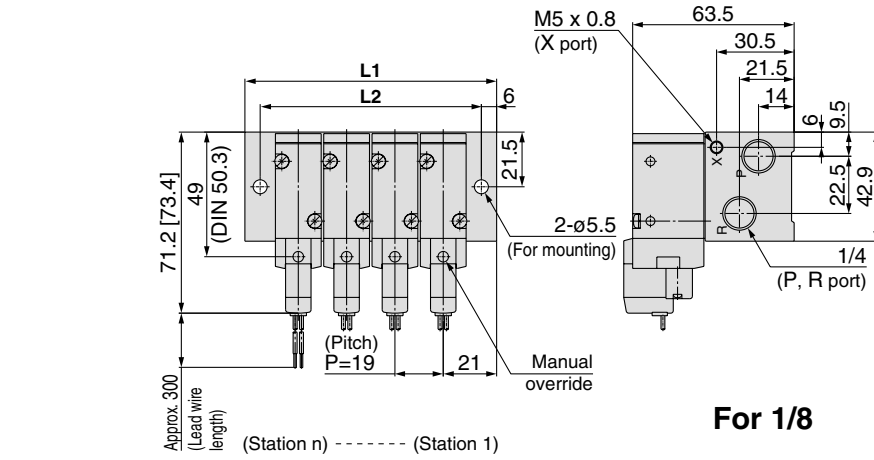
Station n	Station 2	3	4	5	6	7	8	9	10	11	12	13	14	15	16	17	18	19	Station 20
L1	61	80	99	118	137	156	175	194	213	232	251	270	289	308	327	346	365	384	403
L2	49	68	87	106	125	144	163	182	201	220	239	258	277	296	315	334	353	372	391

3 Port Pilot Operated Solenoid Valve Rubber Seal Series SYJ700

Type 42R Manifold: Side Ported/SS3YJ7-42R- **Stations** -01, C6, N7, C8, N9

* [] for AC

Grommet (G)

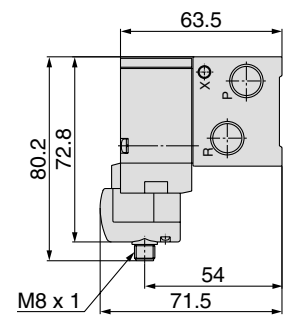
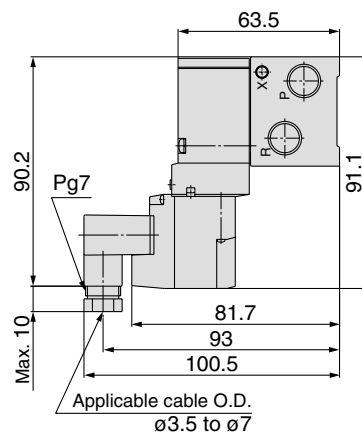
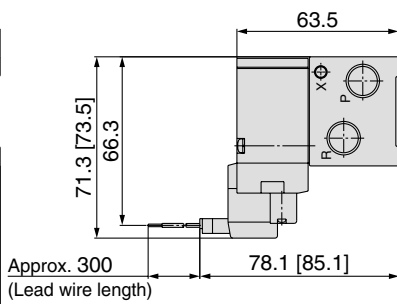
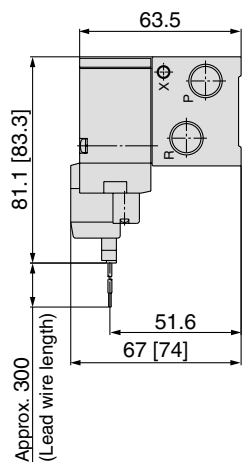


L plug connector (L)

M plug connector (M)

DIN terminal (D)

M8 connector (WO)



* Refer to page 4-4-61 for dimensions with connector cable.

Station n	Station 2	3	4	5	6	7	8	9	10	11	12	13	14	15	16	17	18	19	Station 20
L1	61	80	99	118	137	156	175	194	213	232	251	270	289	308	327	346	365	384	403
L2	49	68	87	106	125	144	163	182	201	220	239	258	277	296	315	334	353	372	391

- V100
- SY
- SYJ**
- VK
- VZ
- VT
- VP
- VG
- VP
- S070
- VQ
- VKF
- VQZ
- VZ
- VS
- VFN

Series SYJ700

Type 41R Manifold: Bottom Ported (External Pilot Type)/SS3YJ7-41R- Stations -01□

 * [] for AC

Grommet (G)

(Light/Surge voltage suppressor)

