

Series SYJ700 Manifold



Manifold Specifications

Type	For internal pilot	20	21	40	41	42
	For external pilot	—	21R	—	41R	42R
Manifold style	Single base style/B mount					
P(SUP)/R(EXH) style	Common SUP/Common EXH					
Valve stations	2 to 20 stations					
A port specifications	Location	Valve	Valve	Base	Base	Base
	Direction	Top	Top	Bottom	Bottom	Side
Port size	P/R port	Rc (PT) 1/8	Rc (PT) 1/4	Rc (PT) 1/8	Rc (PT) 1/4	Rc(PT) 1/4
	A port	Rc (PT) 1/8	R c(PT) 1/8	Rc (PT) 1/8	Rc (PT) 1/8	Rc(PT) 1/8 C6 (ø6 One-touch fitting) C8 (ø8 One-touch fitting)
	X port ⁽¹⁾	—	M3 X 0.8	—	M5 X 0.8	M5 X 0.8
Valve effective area (mm ²) (Cv) ⁽²⁾	Body ported SYJ7□2/SYJ7□2R	10.6 (0.59)			—	
	Base mounted SYJ7□4/SYJ7□4R	—		10.2 (0.57)	10.2 (0.57)	1/8: 9.2 (0.51) C6: 8.8 (0.49) C8: 10 (0.56)



Note 1) Only for external pilot

Note 2) Value when used on a manifold

How to Order Manifold Assembly

Specify the part numbers for the valve (s), blank plate assembly, and manifold base.

Example:

SS3YJ7-20-031 pc.(Manifold base)

SYJ712-5LZ-012 pcs. (Valve)

SYJ700-10-2A1 pc. (Blank plate ass'y)

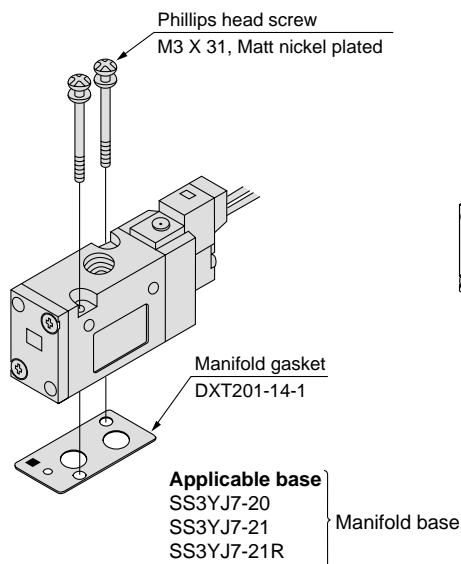
SS3YJ7-42R-03-011 pc. (Manifold base)

SYJ714R-5G2 pcs. (Valve)

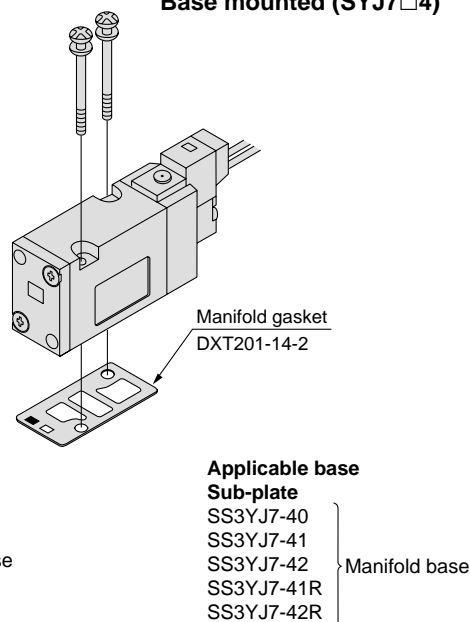
SYJ700-10-2A1 pc. (Blank plate ass'y)

Combinations of Solenoid Valve, Manifold Gasket and Manifold Base

Body ported (SYJ7□2)

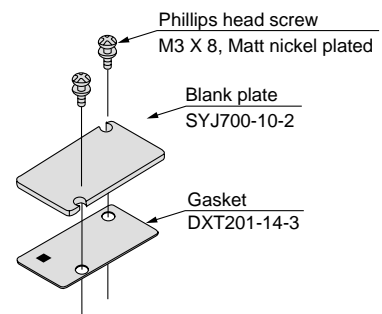


Base mounted (SYJ7□4)



Blank Plate Assembly

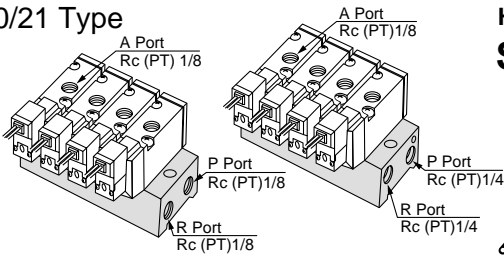
SYJ700-10-2A



Series SYJ700

Manifolds for Internal Pilot

20/21 Type



How to Order

SS3YJ7-20-05

Valve model		Stations	
20	20 Type	02	2 stations
21	21 Type	:	:
		20	20 stations

Applicable solenoid valve

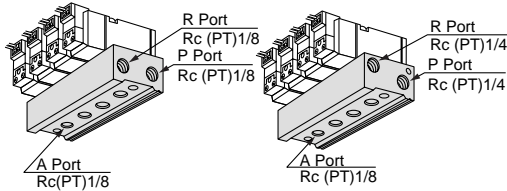
SYJ712-□□□□-01
SYJ712M-□□□□-01
SYJ722-□□□□-01
SYJ722M-□□□□-01

Applicable blank plate ass'y

SYJ700-10-2A

Note) If there are more than 6 stations in type 20 or more than 9 stations in 21 type, supply air to both sides of "P" port and exhaust air from both sides of "R" port.

40/41 Type



How to Order

SS3YJ7-40-05-01

Valve model		Stations		A port side	
40	40 Type	02	2 stations	01	Rc (PT) 1/8
41	41 Type	:	:		
		20	20 stations		

Applicable solenoid valve

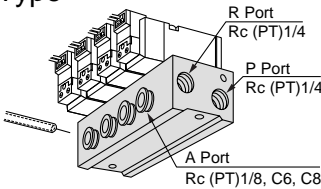
SYJ714-□□□□
SYJ714M-□□□□
SYJ724-□□□□
SYJ724M-□□□□

Applicable blank plate ass'y

SYJ700-10-2A

Note) If there are more than 6 stations in type 40 or more than 9 stations in 41 type, supply air to both sides of "P" port and exhaust air from both sides of "R" port.

42 Type



How to Order

SS3YJ7-42-05-C6

Stations		A port side	
02	2 stations	01	Rc (PT) 1/8
:	:	C6	ø6 One-touch fitting
20	20 stations	C8	ø8 One-touch fitting

Applicable solenoid valve

SYJ714-□□□□
SYJ714M-□□□□
SYJ724-□□□□
SYJ724M-□□□□

Applicable blank plate ass'y

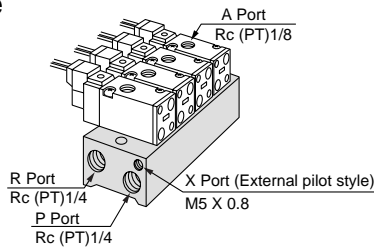
SYJ700-10-2A

Note) If more than 9 stations, supply air to both sides of "P" Port and exhaust air from both sides of "R" port.

Manifolds for External Pilot

Pilot valve pressure is isolated from main valve pressure through a separate supply line. This is suitable for vacuum (up to -100kPa) and low pressure 0.15MPa applications.

21R Type



How to Order

SS3YJ7-21R-05

Stations	
02	2 stations
:	:
20	20 stations

Applicable solenoid valve

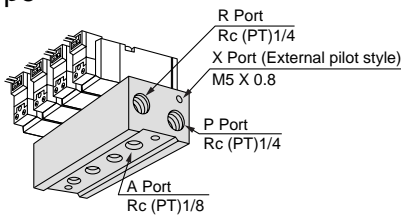
SYJ712R-□□□□-01
SYJ722R-□□□□-01

Applicable blank plate ass'y

SYJ700-10-2A

Note) If more than 9 stations, supply air to both sides of "P" or "R" port and exhaust air from both sides of "R" or "P" port.

41R Type



How to Order

SS3YJ7-41R-05-01

Stations		A port side	
02	2 stations	01	Rc (PT) 1/8
:	:		
20	20 stations		

Applicable solenoid valve

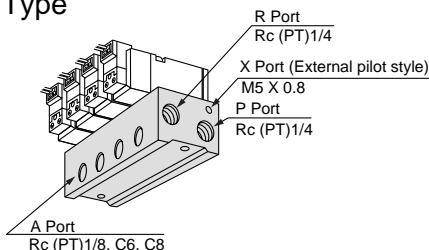
SYJ714R-□□□□
SYJ724R-□□□□

Applicable blank plate ass'y

SYJ700-10-2A

Note) If more than 9 stations, supply air to both sides of "P" or "R" port and exhaust air from both sides of "R" or "P" port.

42R Type



How to Order

SS3YJ7-42R-05-01

Stations		A port side	
02	2 stations	01	Rc (PT) 1/8
:	:	C6	ø6 One-touch fitting
20	20 stations	C8	ø8 One-touch fitting

Applicable solenoid valve

SYJ714R-□□□□
SYJ724R-□□□□

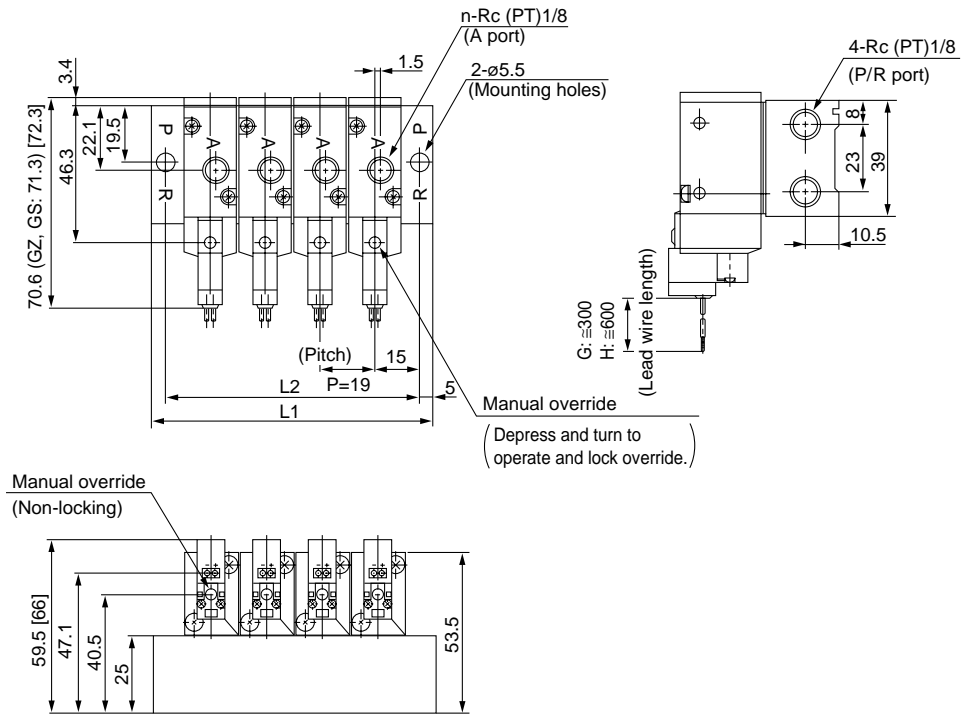
Applicable blank plate ass'y

SYJ700-10-2A

Note) If more than 9 stations, supply air to both sides of "P" or "R" port and exhaust air from both sides of "R" or "P" port.

20 Type Manifold: Top Ported / SS3YJ7-20-Station

Grommet (G), (H)



SY

SYJ

VK

VZ

VT

VT

VP

VG

VP

VQ

VQZ

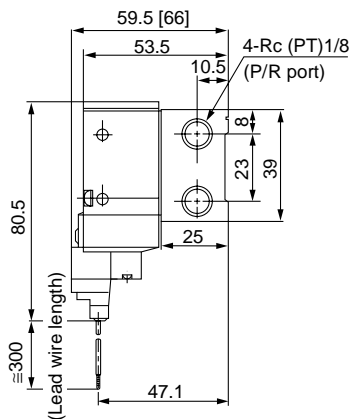
VZ

VS

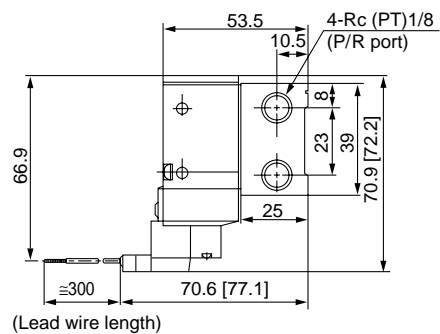


* [] for AC

L plug connector (L)



M plug connector (M)



* [] for AC

* Other dimensions are the same as the grommet.



* [] for AC

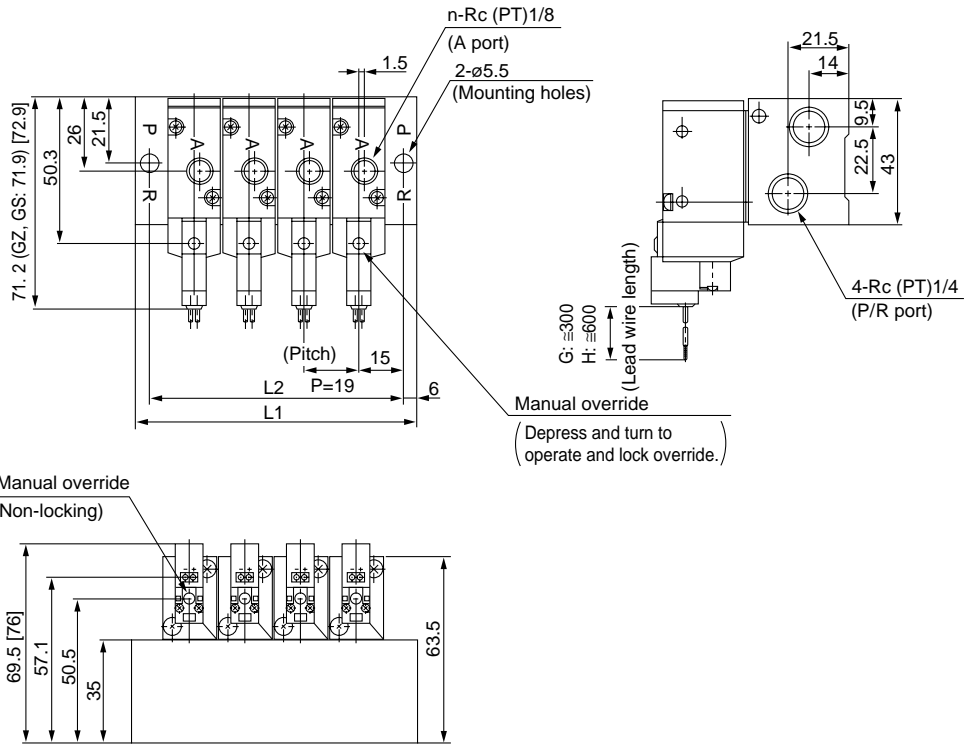
* Other dimensions are the same as the grommet.

Station	2	3	4	5	6	7	8	9	10	11	12	13	14	15	16	17	18	19	20
L1	59	78	97	116	135	154	173	192	211	230	249	268	287	306	325	344	363	382	401
L2	49	68	87	106	125	144	163	182	201	220	239	258	277	296	315	334	353	372	391

Series SYJ700

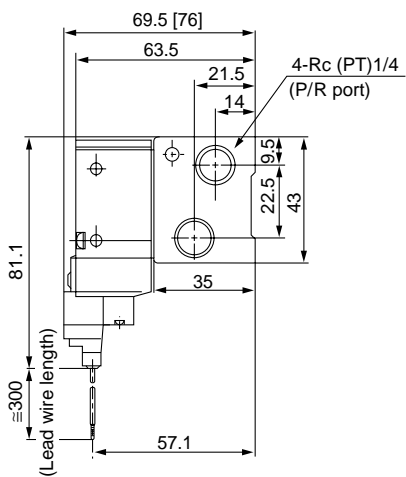
21 Type Manifold: Top Ported/SS3YJ7-21-Station

Grommet (G), (H)



* [] for AC

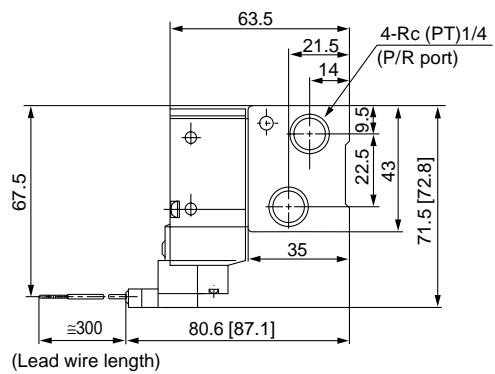
L plug connector (L)



* [] for AC

* Other dimensions are the same as the grommet.

M plug connector (M)



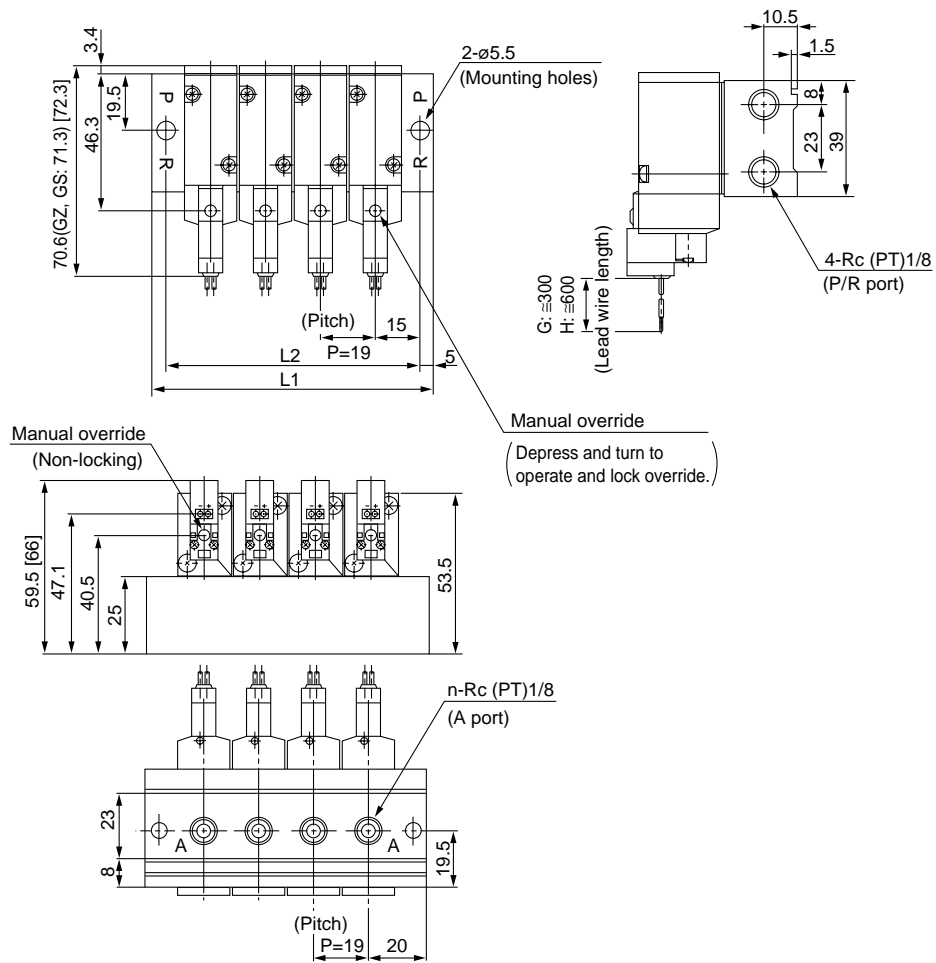
* [] for AC

* Other dimensions are the same as the grommet.

Station	2	3	4	5	6	7	8	9	10	11	12	13	14	15	16	17	18	19	20
L1	61	80	99	118	137	156	175	194	213	232	251	270	289	308	327	346	365	384	403
L2	49	68	87	106	125	144	163	182	201	220	239	258	277	296	315	334	353	372	391

40 Type Manifold: Bottom Ported/SS3YJ7-40-Station -01

Grommet (G), (H)



* [] for AC

SY

SYJ

VK

VZ

VT

VT

VP

VG

VP

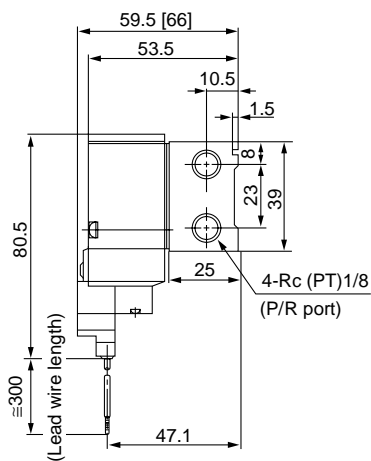
VQ

VQZ

VZ

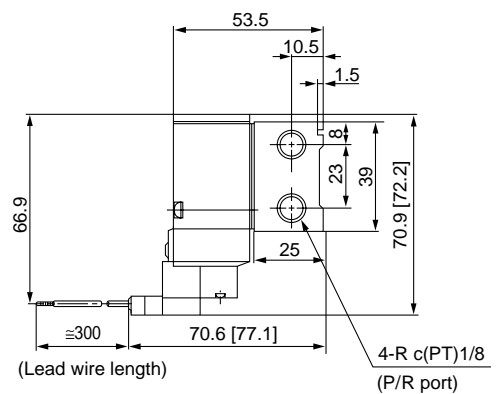
VS

L plug connector (L)



* [] for AC
* Other dimensions are the same as the grommet.

M plug connector (M)



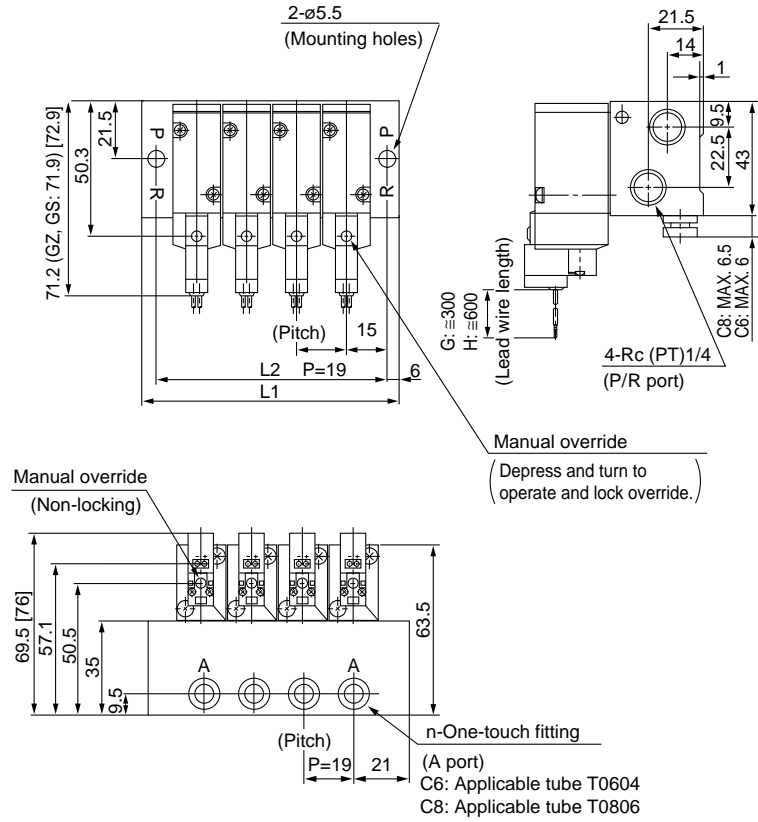
* [] for AC
* Other dimensions are the same as the grommet.

Station	2	3	4	5	6	7	8	9	10	11	12	13	14	15	16	17	18	19	20
L1	59	78	97	116	135	154	173	192	211	230	249	268	287	306	325	344	363	382	401
L2	49	68	87	106	125	144	163	182	201	220	239	258	277	296	315	334	353	372	391

Series SYJ700

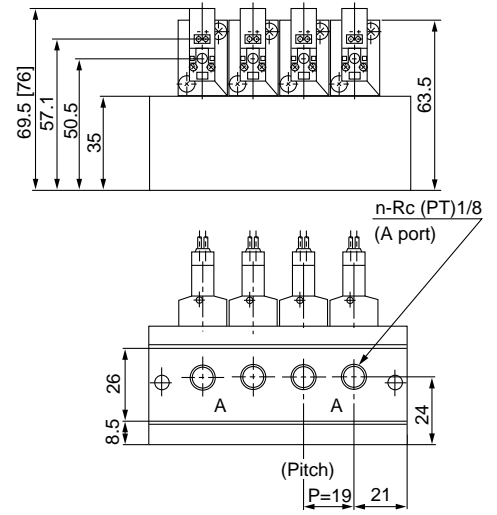
42 Type Manifold: Side Ported/SS3YJ7-42-Station -01, C6, C8

Grommet (G), (H)



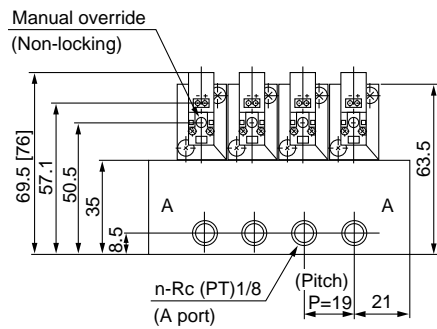
41 Type: Bottom Ported/SS3YJ7-41-Station -01

SS3YJ7-41-Station -01



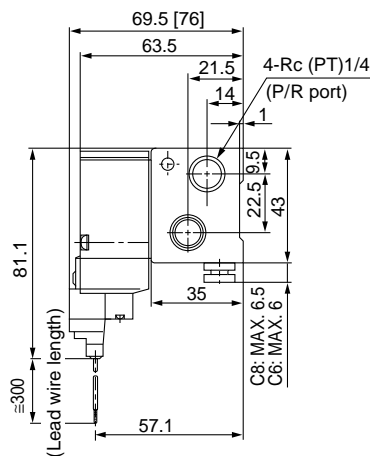
* [] for AC
* Other dimensions are the same as type 42.

Rc (PT) 1/8



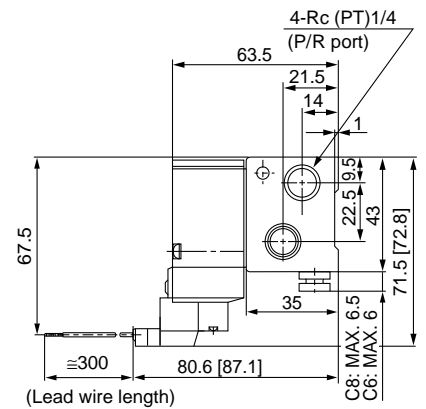
* [] for AC

L plug connector (L)



* [] for AC
* Other dimensions are the same as the grommet.

M plug connector (M)

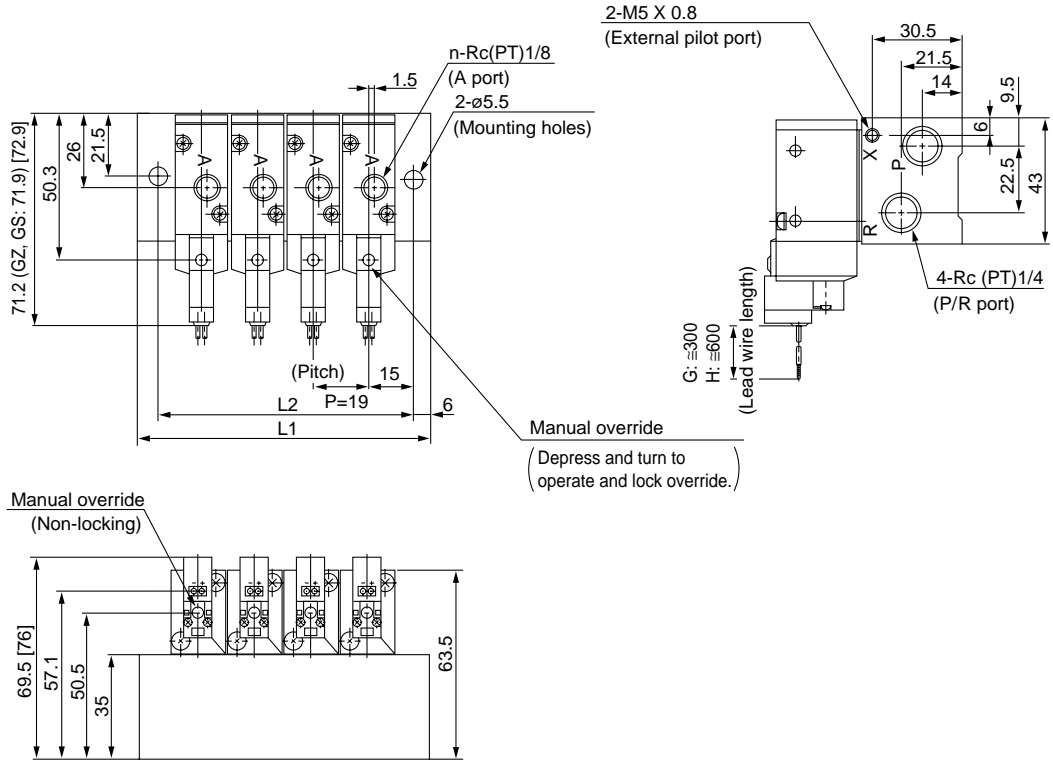


* [] for AC
* Other dimensions are the same as the grommet.

Station	2	3	4	5	6	7	8	9	10	11	12	13	14	15	16	17	18	19	20
L1	61	80	99	118	137	156	175	194	213	232	251	270	289	308	327	346	365	384	403
L2	49	68	87	106	125	144	163	182	201	220	239	258	277	296	315	334	353	372	391

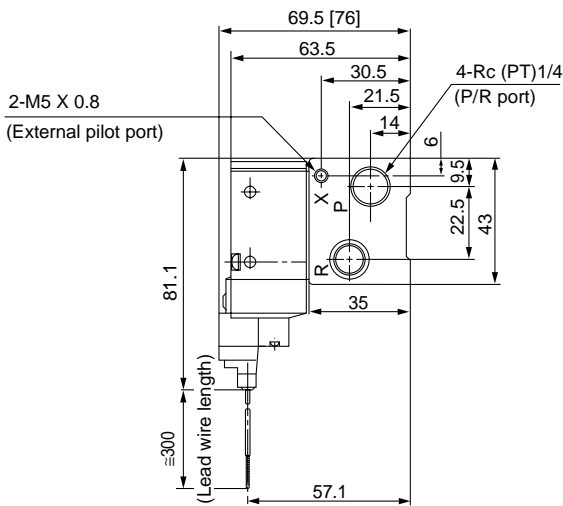
21R Type Manifold: Top Ported (External Pilot)/SS3YJ7-21R- Station

Grommet (G), (H)



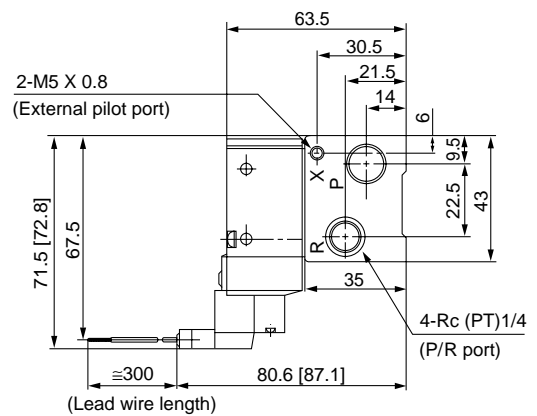
* [] for AC

L plug connector (L)



* [] for AC
* Other dimensions are the same as the grommet.

M plug connector (M)



* [] for AC
* Other dimensions are the same as the grommet.

Station	2	3	4	5	6	7	8	9	10	11	12	13	14	15	16	17	18	19	20
L1	61	80	99	118	137	156	175	194	213	232	251	270	289	308	327	346	365	384	403
L2	49	68	87	106	125	144	163	182	201	220	239	258	277	296	315	334	353	372	391

SY

SYJ

VK

VZ

VT

VT

VP

VG

VP

VQ

VQZ

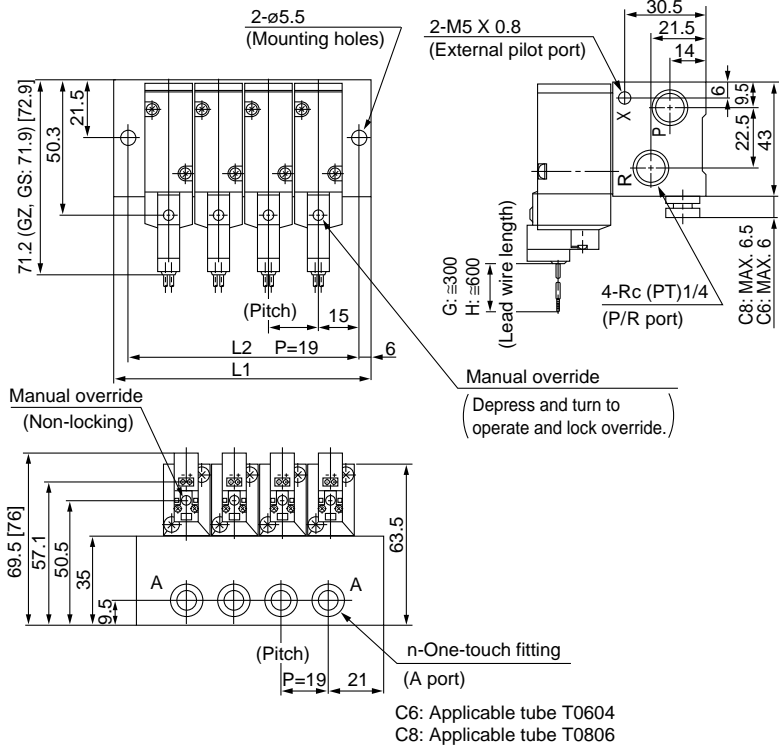
VZ

VS

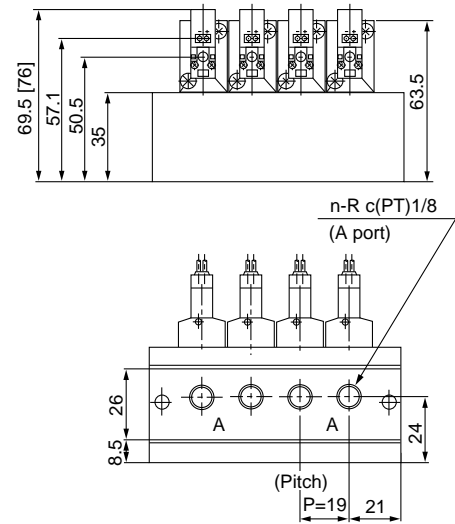
Series SYJ700

42R Type Manifold: Side Ported/SS3YJ7-42R-Station-01, C6, C8

Grommet (G), (H)

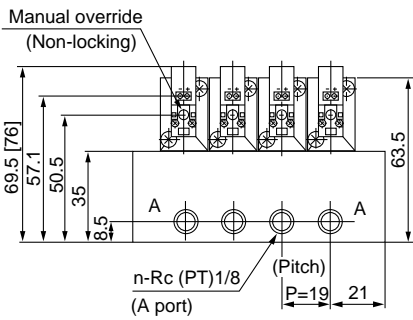


41R Type: Bottom Ported (External Pilot)/SS3YJ7-41R-Station-01

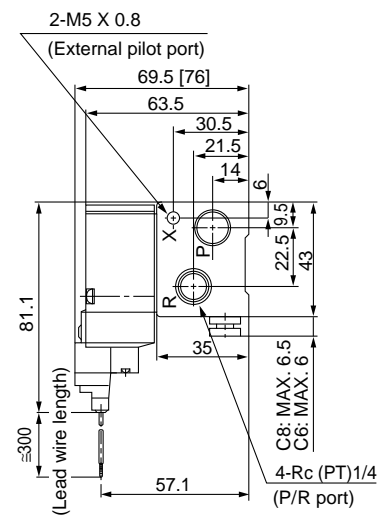


* [] for AC
 * Other dimensions are the same as the 42R.

Rc (PT) 1/8

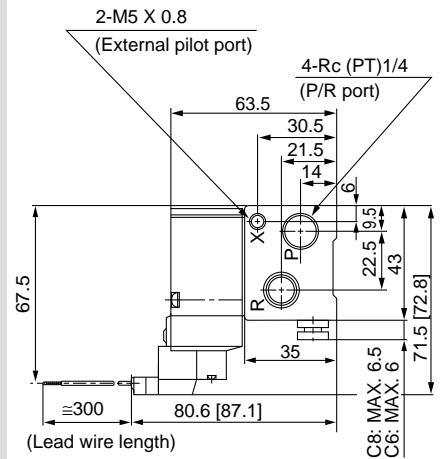


L plug connector (L)



* [] for AC
 * Other dimensions are the same as the grommet.

M plug connector (M)



* [] for AC
 * Other dimensions are the same as the grommet.

* [] for AC

Station	2	3	4	5	6	7	8	9	10	11	12	13	14	15	16	17	18	19	20
L1	61	80	99	118	137	156	175	194	213	232	251	270	289	308	327	346	365	384	403
L2	49	68	87	106	125	144	163	182	201	220	239	258	277	296	315	334	353	372	391