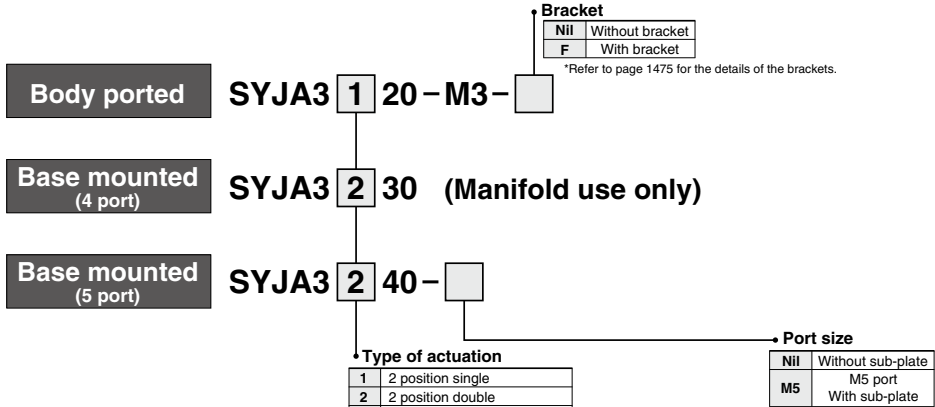


4/5 Port Air Operated Valve

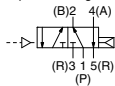
SYJA3000 Series

How to Order

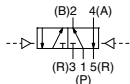


Symbol 5 port

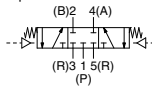
2 position single



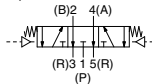
2 position double



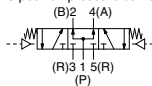
3 position closed center



3 position exhaust center

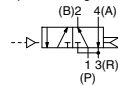


3 position pressure center

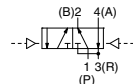


4 port

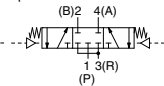
2 position single



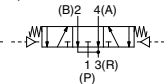
2 position double



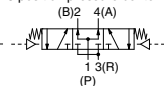
3 position closed center



3 position exhaust center



3 position pressure center



How to Order Manifold Base

Same manifolds as SYJ3000 series are prepared.

SS5YJA3- (Fill the same as SS5YJ3) (Refer to page 166.)

Instruct by specifying the valves and blanking plate assembly to be mounted on the manifold along with the manifold base model no.

(Example)

SS5YJA3-41-03-M5 1 pc.
 * SYJA3140 1 pc.
 * SYJA3240 1 pc.
 * SYJ3000-21-2A 1 pc.

The asterisk denotes the symbol for assembly. Prefix it to the part nos. of the solenoid valve, etc.

⚠ Caution

Be sure to read this before handling the products.
 Refer to back page 50 for Safety Instructions
 and pages 3 to 9 for 3/4/5 Port Solenoid Valve
 Precautions.

Specifications



Base mounted



Body ported

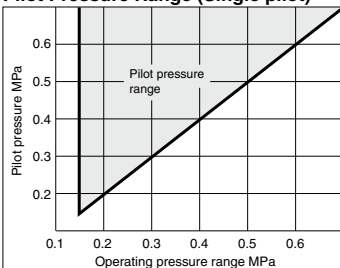
Fluid	Air	
Operating pressure range MPa	2 position single	0.15 to 0.7
	2 position double	-100 kPa to 0.7
	3 position	-100 kPa to 0.7
Pilot pressure range MPa <small>Note 1)</small>	2 position single	Operating pressure to 0.7
	2 position double	0.1 to 0.7
	3 position	0.2 to 0.7
Ambient and fluid temperature °C	-10 to 60 (No freezing.)	
Lubrication	Not required	
Mounting orientation	Unrestricted	
Impact/Vibration resistance (m/s ²) <small>Note 2)</small>	300/50	

Note 1) In case of single type, be certain that pressure within operating pressure range be supplied to supply port, because return pressure is introduced from supply port (1(P)) for activation.

Note 2) Impact resistance: No malfunction resulted from the impact test using a drop impact tester. The test was performed on the axis and right angle directions of the main valve, when pilot signal is ON and OFF. (Value in the initial state)

Vibration resistance: No malfunction occurred in one sweep test between 45 and 2000 Hz. Test was performed to axis and right angle directions of the main valve when pilot signal is ON and OFF. (Value in the initial state)

Pilot Pressure Range (Single pilot)



With Bracket

Air operated valve	SYJA3□20-M3-F
--------------------	---------------

The mounting bracket for the 2 position double solenoid and 3 position is supplied unattached.

Flow Rate Characteristics/Weight

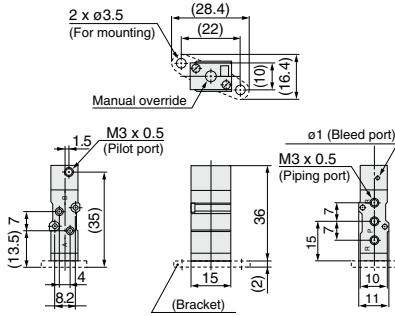
Valve model	Type of actuation	Port size	Pilot port size	Weight (g) <small>Note 3)</small>	Effective area mm ²	Flow rate characteristics <small>Note 2)</small>						
						1→4/2 (P→A/B)			4/2→5/3 (A/B→EA/EB)			
						C [dm ³ / (s·bar)]	b	Cv	C [dm ³ / (s·bar)]	b	Cv	
5 port Base mounted (with sub-plate) SYJA3□40-M5	2 position	M5 x 0.8	M3 x 0.5	48 (22) 51 (25)	-	0.46	0.36	0.12	0.46	0.35	0.12	
												3 position
	0.36					0.39	0.10	0.59 [0.40]	0.43 [0.33]	0.16 [0.11]		
											0.58 [0.32]	0.42 [0.33]
Body ported SYJA3□20-M3	2 position	M3 x 0.5	M3 x 0.5	22 25 28	0.9	0.46	0.36	0.12	0.46	0.35		
											3 position	Closed center Exhaust center Pressure center
	0.36					0.39	0.10	0.59 [0.40]	0.43 [0.33]	0.16 [0.11]		
											0.58 [0.32]	0.42 [0.33]
4 Port Base Mounted (For manifold) <small>Note 1)</small> SYJA3□30	2 position	-	M3 x 0.5	22 25 28	-	0.46	0.36	0.12	0.46	0.35		
											3 position	Closed center Exhaust center Pressure center
	0.36					0.39	0.10	0.59 [0.40]	0.43 [0.33]	0.16 [0.11]		
											0.58 [0.32]	0.42 [0.33]

Note 1) Value when used on a manifold. Refer to page 1474 for details.
 Note 2) []: denotes normal position.
 Note 3) (): Without sub-plate.
 Note 4) 5 port, base mounted without sub-plate: SYJA3□40

SYJA3000 Series

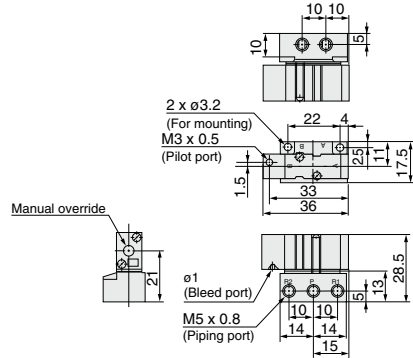
Dimensions/Body Ported

2 position single: SYJA3120-M3(-F)

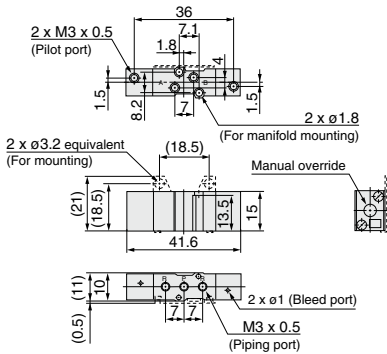


Dimensions/Base Mounted

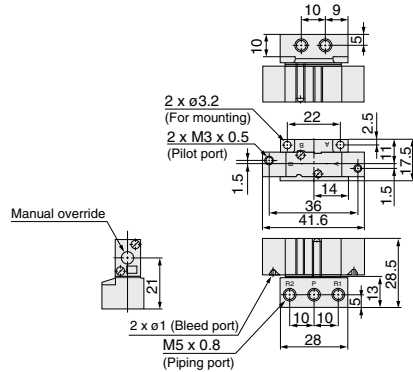
2 position single: SYJA3140-M5



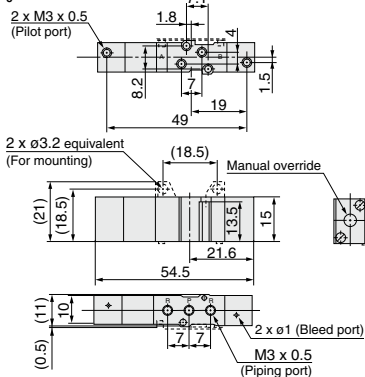
2 position double: SYJA3220-M3(-F)



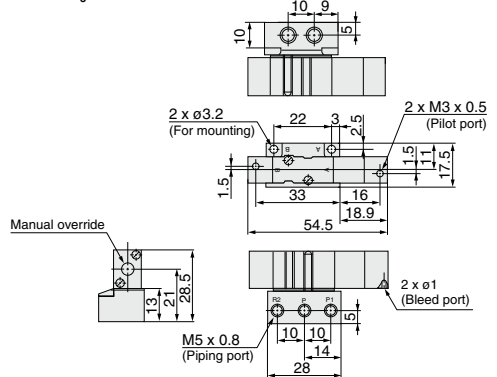
2 position double: SYJA3240-M5



3 position closed center/exhaust center/pressure center SYJA3₃₀₀420-M3(-F)



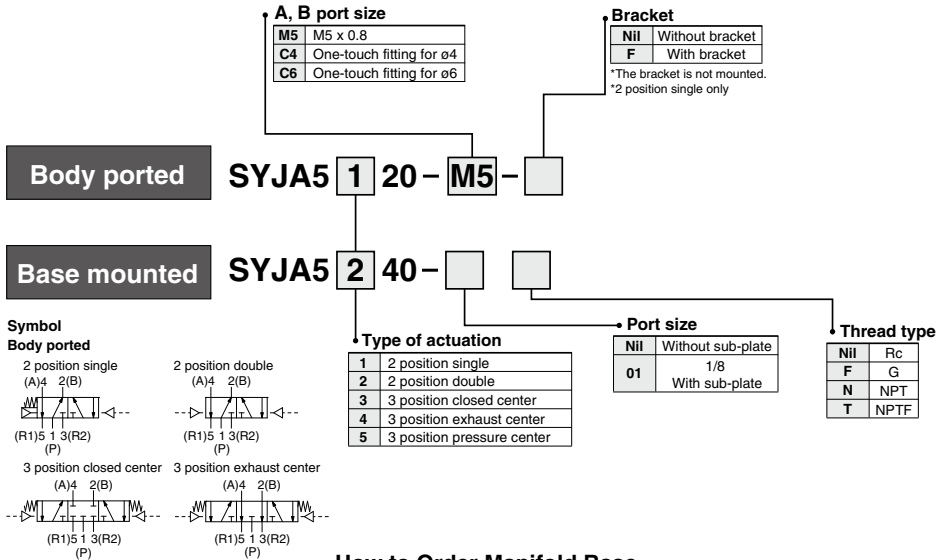
3 position closed center/exhaust center/pressure center SYJA3₃₀₀40-M5



4/5 Port Air Operated Valve

SYJA5000 Series

How to Order



How to Order Manifold Base

Same manifolds as SYJ5000 series are prepared.

SS5YJA5 - [Fill the same as SS5YJ5]. (Refer to page 194.)

Instruct by specifying the valves and blanking plate assembly to be mounted on the manifold along with the manifold base model no.

(Ex.)
 SS5YJA5-42-03-01 1 set
 * SYJA5140 1 set
 * SYJA5240 1 set
 * SYJ5000-21-1A 1 set

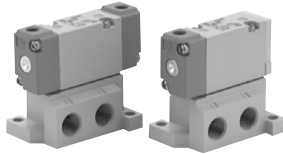
↳ The asterisk denotes the symbol for assembly. Prefix it to the part nos. of the solenoid valve, etc.

⚠ Caution

Be sure to read this before handling the products.
 Refer to back page 50 for Safety Instructions and pages 3 to 9 for 3/4/5 Port Solenoid Valve Precautions.

- SYA
- SYJA
- VZA
- VFA
- VFRA
- VPA4
- SYJA
- VZA
- VTA
- VGA
- VPA
- VPA3

SYJA5000 Series



Base mounted



Body ported

Specifications

Fluid		Air
Operating pressure range MPa	2 position single	0.15 to 0.7
	2 position double	-100 kPa to 0.7
	3 position	-100 kPa to 0.7
Pilot pressure range MPa	2 position single	(0.4 x P+0.1) to 0.7 P: Operating pressure
	2 position double	0.1 to 0.7
	3 position	0.15 to 0.7
Ambient and fluid temperature °C		-10 to 60 (No freezing.)
Lubrication		Not required
Mounting orientation		Unrestricted
Impact/Vibration resistance (m/s ²)		300/50

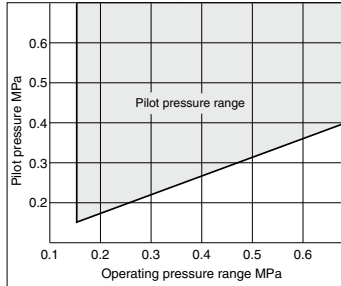
Note 1) In case of single type, be certain that pressure within operating pressure range be supplied to supply port, because return pressure is introduced from supply port {1(P)} for activation.

Note 2) Impact resistance: No malfunction resulted from the impact test using a drop impact tester. The test was performed on the axis and right angle directions of the main valve, when pilot signal is ON and OFF. (Value in the initial state)

Vibration resistance: No malfunction occurred in one sweep test between 45 and 2000 Hz.

Test was performed to axis and right angle directions of the main valve when pilot signal is ON and OFF. (Value in the initial state)

Pilot Pressure Range (Single pilot)



With Bracket

Air operated valve	SYJA5120-M5-F
--------------------	---------------

The mounting bracket is supplied unattached.

Bracket Assembly	SYJ5000-13-3A
------------------	---------------

Mounting screws included.

Flow Rate Characteristics/Weight

Valve model	Type of actuation	Port size	Flow rate characteristics ^{Note 1)}						Pilot port size	Weight (g) ^{Note 2)}		
			1→4/2 (P→A/B)			4/2→5/3 (A/B→EA/EB)						
			C [dm ³ / (s·bar)]	b	Cv	C [dm ³ / (s·bar)]	b	Cv				
Body ported	SYJA5□20-M5	2 position	Single	M5 x 0.8	0.47	0.41	0.13	0.47	0.41	0.13	M5 x 0.8	34
			Double									
		3 position	Closed center		0.49	0.44	0.13	0.44	0.40	0.12		48
	Exhaust center		0.46		0.37	0.12	0.47 [0.39]	0.43 [0.35]	0.13 [0.10]			
	Pressure center		0.49 [0.39]		0.51 [0.38]	0.14 [0.10]	0.45	0.42	0.12			
	SYJA5□20-C4	2 position	Single		A, B port: C4 (One-touch fitting for ø4) P, R port: M5 x 0.8	0.69	0.39	0.18	0.44	0.39		0.12
			Double	45								
		3 position	Closed center			0.69	0.40	0.19	0.43	0.40	0.12	55
	Exhaust center		0.56	0.40		0.15	0.41 [0.41]	0.37 [0.37]	0.10 [0.11]			
	Pressure center		0.57 [0.41]	0.40 [0.37]		0.15 [0.10]	0.41	0.37	0.10			
	SYJA5□20-C6	2 position	Single	A, B port: C6 (One-touch fitting for ø6) P, R port: M5 x 0.8		0.70	0.36	0.19	0.47	0.40	0.12	M5 x 0.8
			Double		45							
3 position		Closed center	0.72			0.37	0.19	0.44	0.34	0.12	55	
	Exhaust center	0.67	0.54		0.19	0.41 [0.41]	0.38 [0.38]	0.11 [0.11]				
	Pressure center	0.82 [0.44]	0.41 [0.39]		0.23 [0.12]	0.41	0.36	0.11				
Base mounted (with sub-plate)	SYJA5□40-01	2 position	Single		1/8	0.79	0.21	0.19	0.83	0.32	0.21	
			Double	72 (38)								
	3 position	Closed center	0.80			0.28	0.18	0.86	0.34	0.20	82 (48)	
		Exhaust center	0.71	0.26		0.18	1.1 [0.60]	0.24 [0.44]	0.26 [0.18]			
		Pressure center	0.99 [0.47]	0.29 [0.38]		0.24 [0.12]	0.72	0.38	0.18			

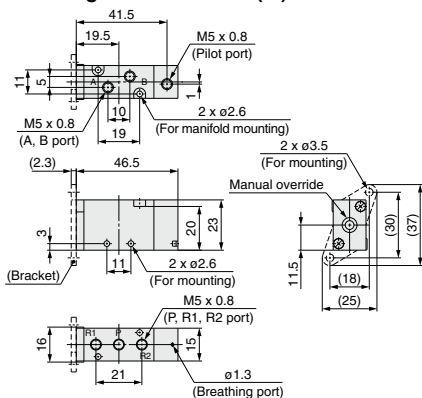
Note 1) []: denotes normal position.

Note 2) (): Without sub-plate.

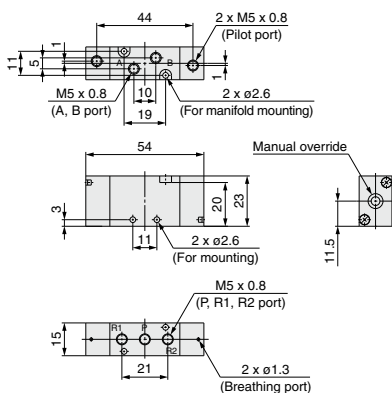
Note 3) Model No. for 5 port base mounted type without sub-plate is SYJA5□40.

Dimensions/Body Ported

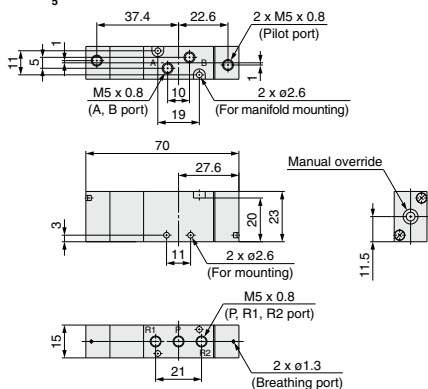
2 position single: SYJA5120-M5(-F)



2 position double: SYJA5220-M5

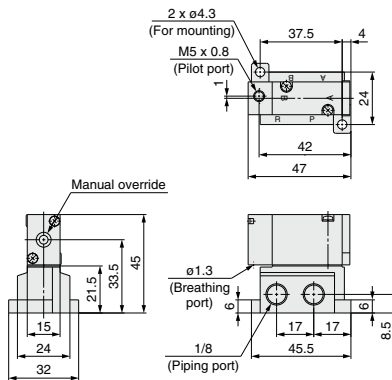


3 position closed center/exhaust center/pressure center SYJA5₃420-M5

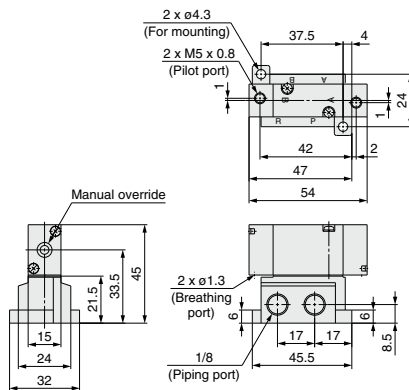


Dimensions/Base Mounted

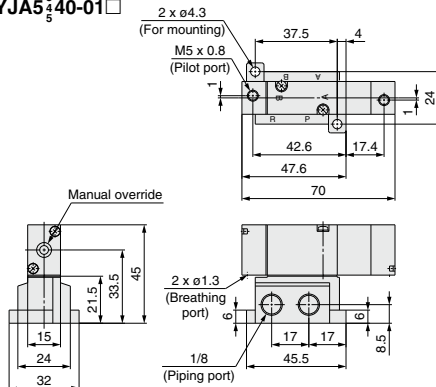
2 position single: SYJA5140-01□



2 position double: SYJA5240-01□



3 position closed center/exhaust center/pressure center SYJA5₃440-01□



SYA
SYJA
VZA
VFA
VFRA
VPA4
SYJA
VZA
VTA
VGA
VPA
VPA3

4/5 Port Air Operated Valve

SYJA7000 Series

How to Order

Body ported

A, B port size

01	1/8
C6	One-touch fitting for ø6
C8	One-touch fitting for ø8

Base mounted

Bracket

Nil	Without bracket
F	With bracket

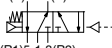
*The bracket is not mounted.
*The bracket cannot be retrofitted later.
*2 position single only

SYJA7 1 20 - 01 **SYJA7 2 40 -**

Symbol

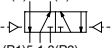
Body ported

2 position single
(A)4 2(B)



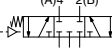
(R1)5 1 3(R2)
(P)

2 position double
(A)4 2(B)



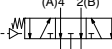
(R1)5 1 3(R2)
(P)

3 position closed center
(A)4 2(B)



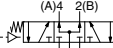
(R1)5 1 3(R2)
(P)

3 position exhaust center
(A)4 2(B)



(R1)5 1 3(R2)
(P)

3 position pressure center
(A)4 2(B)



(R1)5 1 3(R2)
(P)

Type of actuation

1	2 position single
2	2 position double
3	3 position closed center
4	3 position exhaust center
5	3 position pressure center

Port size

Nil	Without sub-plate
01	1/8 With sub-plate
02	1/4 With sub-plate

Thread type

Nil	Rc
F	G
N	NPT
T	NPTF

How to Order Manifold Base

Same manifolds as SYJ7000 series are prepared.

SS5YJA7 - Fill the same as SS5YJ7. (Refer to page 226.)

Instruct by specifying the valves and blanking plate assembly to be mounted on the manifold along with the manifold base model no.

(Ex.)
SS5YJA7-41-03-01 1 pc.
 * SYJA7140 1 pc.
 * SYJA7240 1 pc.
 * SYJ7000-21-1A 1 pc.

↳ The asterisk denotes the symbol for assembly. Prefix it to the part nos. of the solenoid valve, etc.

⚠ Caution

Be sure to read this before handling the products.
 Refer to back page 50 for Safety Instructions
 and pages 3 to 9 for 3/4/5 Port Solenoid Valve
 Precautions.

Specifications



Base mounted



Body ported

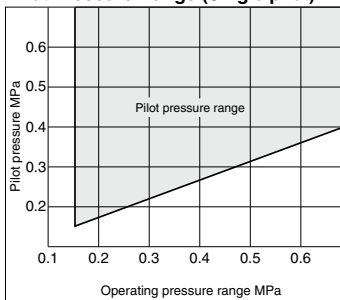
Fluid		Air
Operating pressure range MPa	2 position single	0.15 to 0.7
	2 position double	-100 kPa to 0.7
	3 position	-100 kPa to 0.7
Pilot pressure range MPa ^{Note 1)}	2 position single	(0.4 x P+0.1) to 0.7 P: Operating pressure
	2 position double	0.1 to 0.7
	3 position	0.15 to 0.7
Ambient and fluid temperature °C		-10 to 60 (No freezing.)
Lubrication		Not required
Mounting orientation		Unrestricted
Impact/Vibration resistance (m/s²) ^{Note 2)}		300/50

Note 1) In case of single type, be certain that pressure within operating pressure range be supplied to supply port, because return pressure is introduced from supply port {1(P)} for activation.

Note 2) Impact resistance: No malfunction resulted from the impact test using a drop impact tester. The test was performed on the axis and right angle directions of the main valve, when pilot signal is ON and OFF. (Value in the initial state)

Vibration resistance: No malfunction occurred in one sweep test between 45 and 2000 Hz. Test was performed to axis and right angle directions of the main valve when pilot signal is ON and OFF. (Value in the initial state)

Pilot Pressure Range (Single pilot)



With Bracket

Air operated valve	SYJA7120-01-F
--------------------	---------------

As a bracket is designed for a body, be sure that a bracket is attached when ordering and operating.

SYA

SYJA

VZA

VFA

VFRA

VPA4

SYJA

VZA

VTA

VGA

VPA

VPA3

SYJA7000 Series

Flow Rate Characteristics/Weight

Valve model		Type of actuation		Port size		Flow rate characteristics ^{Note 2)}					Pilot port size	Weight (g) ^{Note 3)}	
						1→4/2 (P→A/B)			4/2→5/3 (A/B→EA/EB)				
						C [dm ³ / (s·bar)]	b	Cv	C [dm ³ / (s·bar)]	b			Cv
Body ported	SYJA7□20-01	2 position	Single	1/8	2.2	0.36	0.58	2.4	0.34	0.63	M5 x 0.8	71	
			Double							72			
		3 position	Closed center		1.8	0.37	0.45	2.0	0.35	0.49		82	
			Exhaust center		1.2	0.50	0.34	3.0 [1.3]	0.35 [0.52]	0.73 [0.39]			
	3 position	Pressure center	3.0 [0.83]		0.37 [0.50]	0.78 [0.25]	1.8	0.37	0.45				
		Pressure center								82			
	SYJA7□20-C6	2 position	Single		A, B port: C6 (One-touch fitting for ø6) P, R port: 1/8	1.6	0.33	0.4	2.2	0.32		0.53	83
			Double										
		3 position	Closed center	1.4		0.27	0.35	1.9	0.33	0.49		93	
			Exhaust center	1.1		0.37	0.27	2.5 [1.3]	0.32 [0.54]	0.61 [0.38]			
	3 position	Pressure center	1.8 [0.78]	0.36 [0.40]		0.45 [0.22]	1.6	0.30	0.39				
		Pressure center								82			
SYJA7□20-C8	2 position	Single	A, B port: C8 (One-touch fitting for ø8) P, R port: 1/8	2.0		0.39	0.52	2.3	0.34	0.61	83		
		Double											
	3 position	Closed center		1.7	0.35	0.42	2.0	0.29	0.49	93			
		Exhaust center		1.2	0.38	0.33	2.6 [1.3]	0.35 [0.49]	0.67 [0.38]				
3 position	Pressure center	1.9 [0.86]		0.57 [0.46]	0.59 [0.25]	1.7	0.39	0.42					
	Pressure center								82				
Base mounted (with sub-plate)	SYJA7□40-01	2 position		Single	1/8 ^{Note 1)}	2.3	0.45	0.57	2.8	0.37	0.71	M5 x 0.8	151 (71)
				Double									152 (72)
		3 position	Closed center	1.9		0.36	0.48	2.1	0.46	0.57	162 (82)		
			Exhaust center	1.2		0.48	0.35	3.4 [1.3]	0.36 [0.57]	0.86 [0.41]			
	3 position	Pressure center	3.3 [0.85]	0.43 [0.54]		0.78 [0.25]	2.1	0.45	0.56				
		Pressure center								151 (71)			
	SYJA7□40-02	2 position	Single	1/4 ^{Note 1)}		2.3	0.41	0.61	2.9	0.35	0.74		152 (72)
			Double										
		3 position	Closed center		1.9	0.46	0.50	2.2	0.44	0.60	162 (82)		
			Exhaust center		1.3	0.45	0.35	3.7 [1.4]	0.27 [0.56]	0.87 [0.43]			
	3 position	Pressure center	3.6 [0.83]		0.23 [0.55]	0.84 [0.25]	2.1	0.47	0.58				
		Pressure center											

Note 1) P, A, B port: 1/8 is R1, R2 port: 1/4

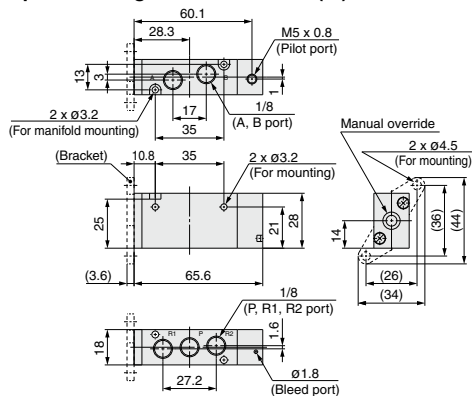
Note 2) []: for normal position

Note 3) (): without sub-plate

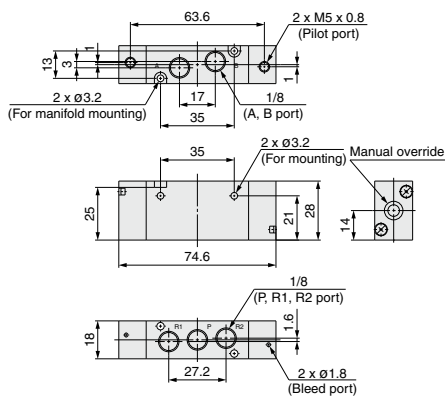
Note 4) Model No. for base mounted type without sub-plate is SYJA7□40.

Dimensions/Body Ported

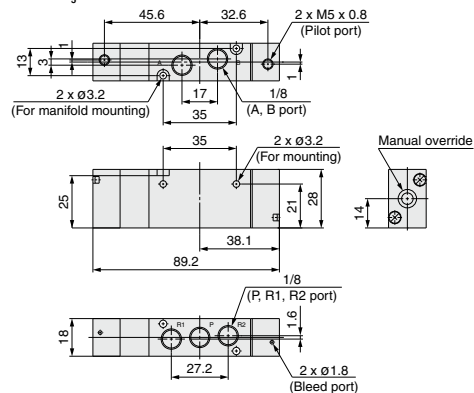
2 position single: SYJA7120-01□(-F)



2 position double: SYJA7220-01□

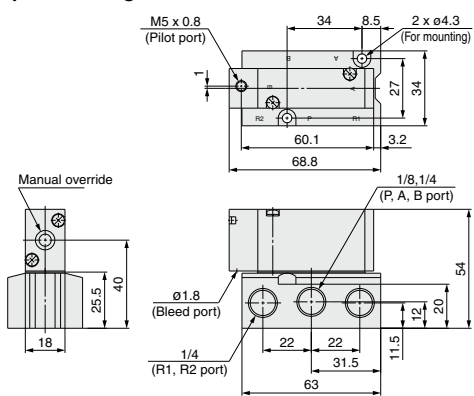


3 position closed center/exhaust center/pressure center SYJA7₄40-01□

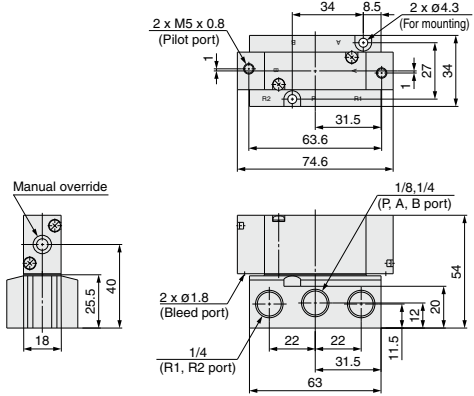


Dimensions/Base Mounted

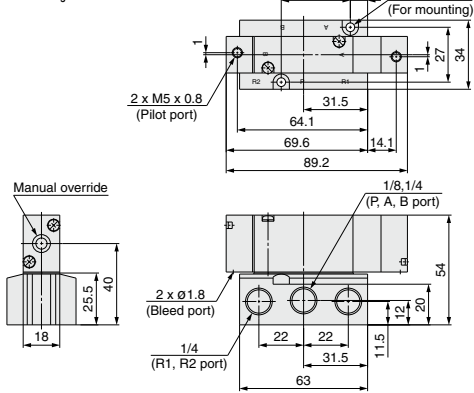
2 position single: SYJA7140-⁰¹/₀₂□



2 position double: SYJA7240-⁰¹/₀₂□



3 position closed center/exhaust center/pressure center SYJA7₅40-⁰¹/₀₂□



SYA
SYJA
VZA
VFA
VFRA
VPA4
SYJA
VZA
VTA
VGA
VPA
VPA3