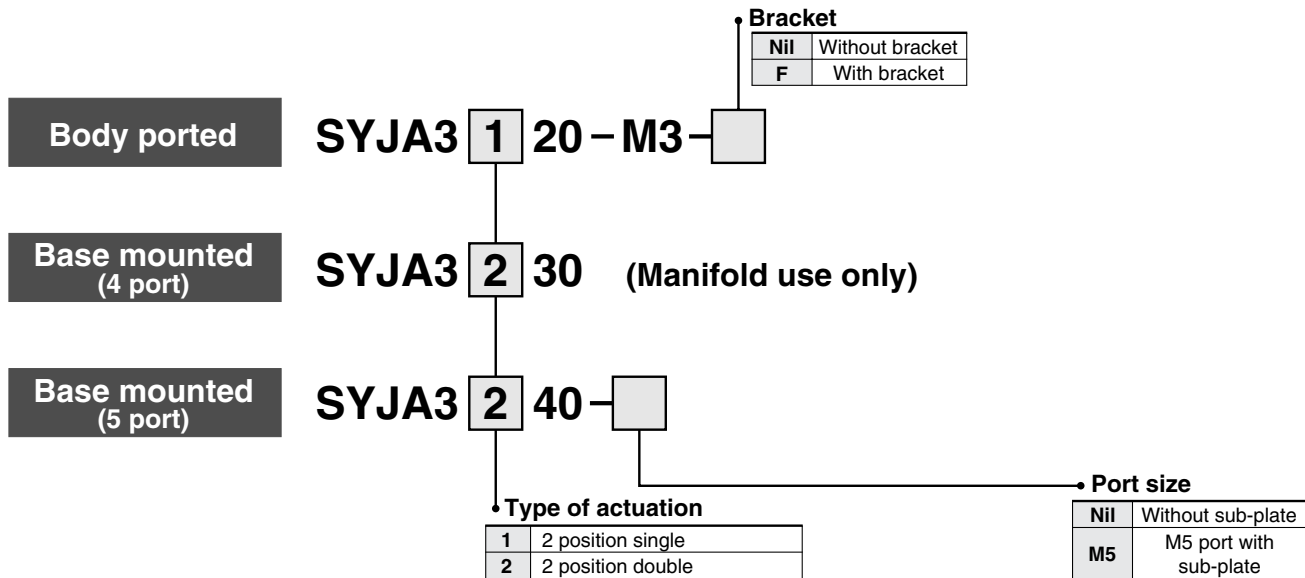


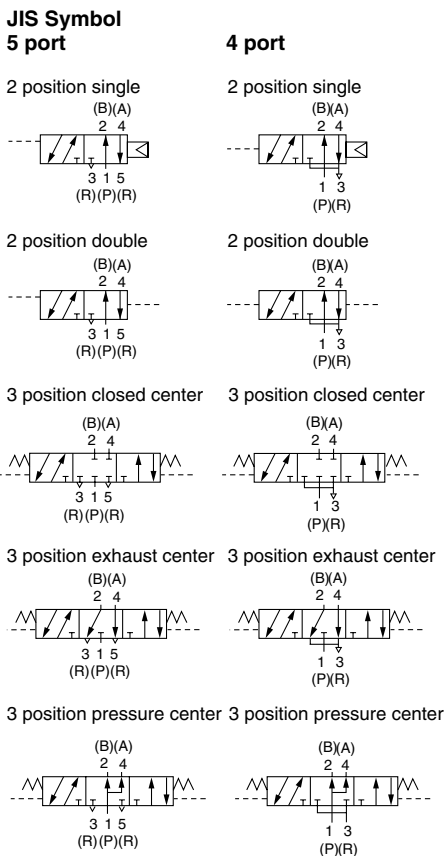
4/5 Port Air Operated Valve

Series SYJA3000

How to Order



- S□A
- V□A
- S□A
- V□A
- VM
- VR
- VH
- VHS



How to Order Manifold Base

Same manifolds as series SYJ3000 are prepared.

SS5YJA3—

Instruct by specifying the valves and blanking plate assembly to be mounted on the manifold along with the manifold base model no.

(Example)
 SS5YJA3-41-03-M5 1 pc.
 *SYJA3140..... 1 pc.
 *SYJA3240..... 1 pc.
 *SYJ3000-21-2A..... 1 pc.

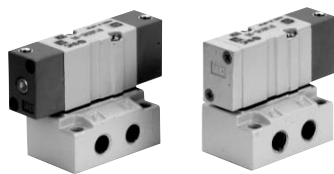
↳ The asterisk denotes the symbol for assembly. Prefix it to the part nos. of the solenoid valve, etc.

⚠ Caution

For Safety Instructions and Solenoid Valve Precautions, refer to pages 5-11-2 to 6.

Series SYJA3000

Specifications



Base mounted



Body ported

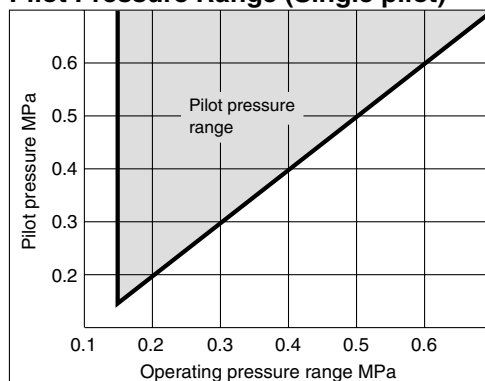
Fluid	Air	
Operating pressure range MPa	2 position single	0.15 to 0.7
	2 position double	0.1 to 0.7
	3 position	0.2 to 0.7
Pilot pressure range MPa <small>Note 1)</small>	2 position single	Operating pressure to 0.7
	2 position double	0.1 to 0.7
	3 position	0.2 to 0.7
Ambient and fluid temperature °C	-10 to 50 (No freezing. Refer to page 5-11-4.)	
Lubrication	Not required	
Mounting orientation	Unrestricted	
Impact/Vibration resistance (m/s ²) <small>Note 2)</small>	300/50	



Note 1) In the case of single type, be certain that pressure within operating pressure range be supplied to supply port, because return pressure is introduced from supply port {1(P)} for activation.

Note 2) Impact resistance: No malfunction resulted from the impact test using a drop impact tester. The test was performed on the axis and right angle directions of the main valve, when pilot signal is ON and OFF. (Value in the initial state)
 Vibration resistance: No malfunction occurred in one sweep test between 45 and 2000 Hz. Test was performed to axis and right angle directions of the main valve when pilot signal is ON and OFF. (Value in the initial state)

Pilot Pressure Range (Single pilot)



With Bracket

Air operated valve type	SYJA3□20-M3-F
-------------------------	---------------

The mounting bracket for the 2 position double solenoid and 3 position is supplied unattached.

Flow Characteristics/Weight

* Refer to memo for contents that have been changed.

Valve model	Type of actuation	Port size	Pilot port size	Weight (g) <small>Note 3)</small>	Effective area mm ²	Flow characteristics <small>Note 2)</small>						
						1 → 4/2 (P → A/B)			4/2 → 5/3 (A/B → EA/EB)			
						C [dm ³ /(s·bar)]	b	Cv	C [dm ³ /(s·bar)]	b	Cv	
5 port base mounted (with sub-plate)	2 position	Single	M5 x 0.8	M3 x 0.5	48 (22)	—	0.46	0.36	0.12	0.46	0.35	0.12
	3 position	Closed center	M5 x 0.8	M3 x 0.5	54 (28)	—	0.47	0.33	0.12	0.47	0.31	0.12
		Pressure center					0.58 [0.32]	0.42 [0.33]	0.16 [0.080]	0.46	0.32	0.11
Body ported	2 position	Single	M3 x 0.5	M3 x 0.5	22	0.9	0.46	0.36	0.12	0.46	0.35	0.12
	3 position	Closed center	M3 x 0.5	M3 x 0.5	28	0.9	0.47	0.33	0.12	0.47	0.31	0.12
		Pressure center					0.58 [0.32]	0.42 [0.33]	0.16 [0.080]	0.46	0.32	0.11
4 Port base mounted (For manifold) <small>Note 1)</small>	2 position	Single	—	M3 x 0.5	22	0.9	0.46	0.36	0.12	0.46	0.35	0.12
	3 position	Closed center	—	M3 x 0.5	28	0.9	0.47	0.33	0.12	0.47	0.31	0.12
		Pressure center					0.58 [0.32]	0.42 [0.33]	0.16 [0.080]	0.46	0.32	0.11



Note 1) Value when used on a manifold. Refer to page 5-2-19 for details.

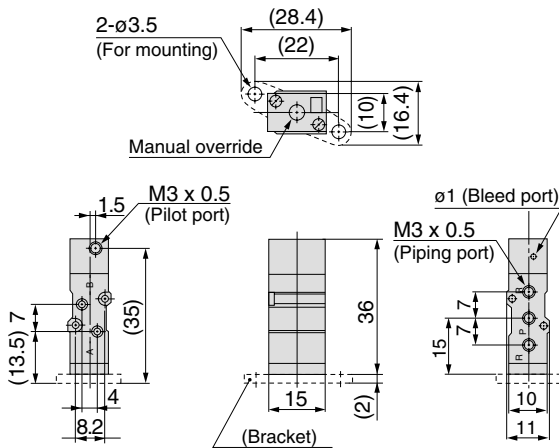
Note 2) []: Denotes normal position.

Note 3) (): Without sub-plate.

Note 4) 5 port base mounted without sub-plate: SYJA3□40

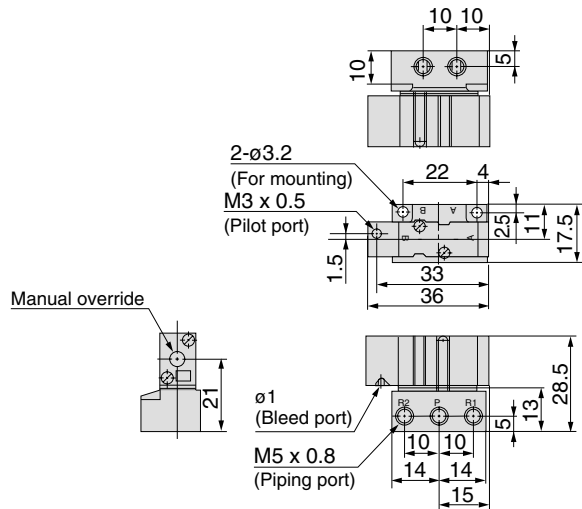
Dimensions: Body Ported

2 position single: SYJA3120-M3(-F)

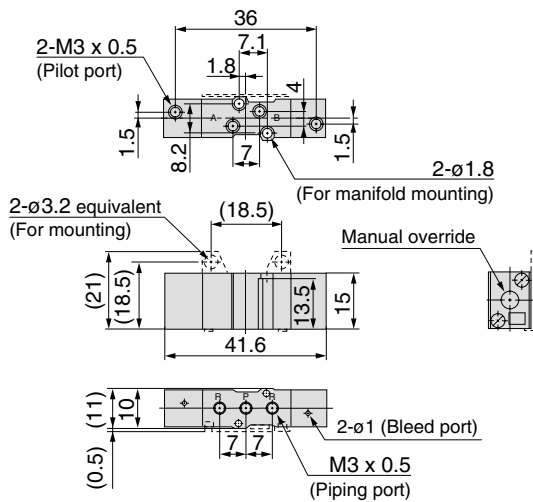


Dimensions: Base Mounted

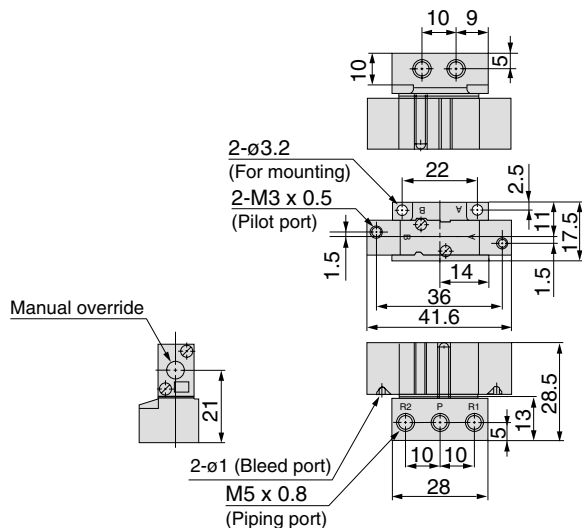
2 position single: SYJA3140-M5



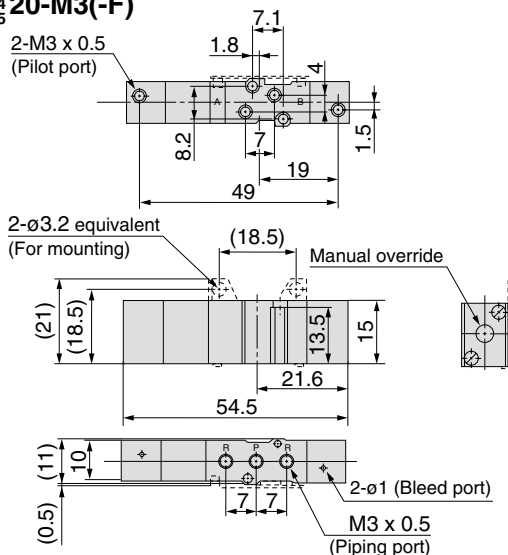
2 position double: SYJA3220-M3(-F)



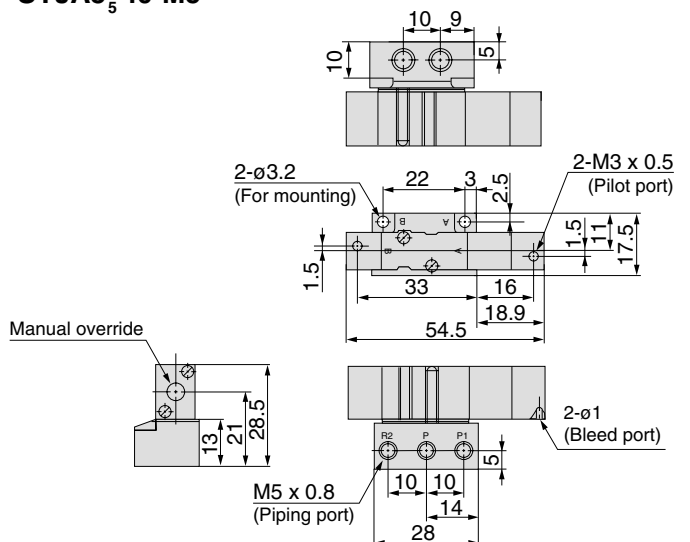
2 position double: SYJA3240-M5



3 position closed center/exhaust center/pressure center SYJA3₅³20-M3(-F)



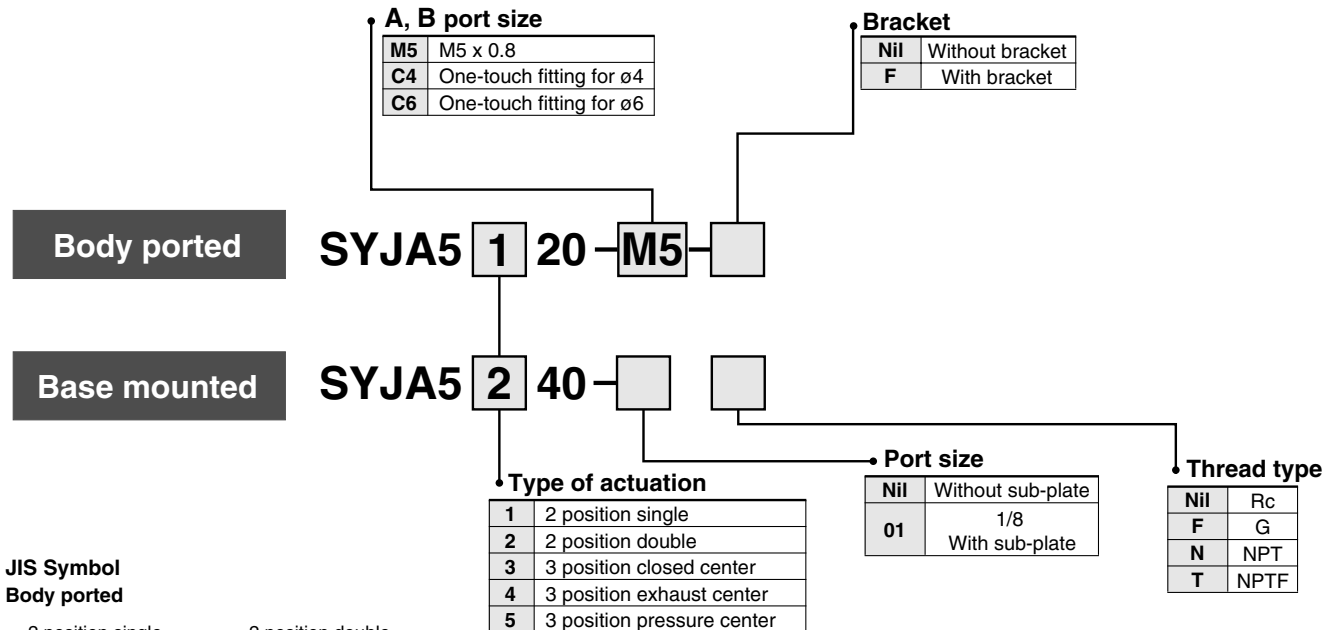
3 position closed center/exhaust center/pressure center SYJA3₅³40-M5



- S□A
- V□A
- S□A
- V□A
- VM
- VR
- VH
- VHS

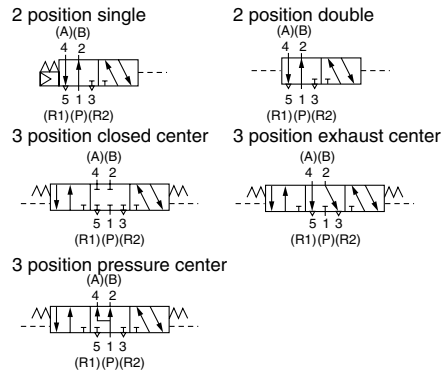
4/5 Port Air Operated Valve Series SYJA5000

How to Order

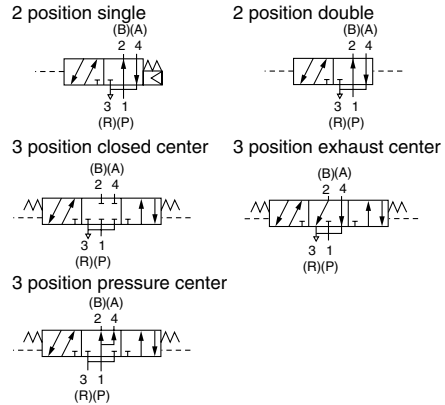


JIS Symbol

Body ported



Base mounted



How to Order Manifold Base

Same manifolds as series SYJ5000 are prepared.

SS5YJA5 - Fill the same as SS5YJ5.

Instruct by specifying the valves and blanking plate assembly to be mounted on the manifold along with the manifold base model no.

- (Example)
- SS5YJA5-42-03-01 1 set
 - * SYJA5140 1 set
 - * SYJA5240 1 set
 - * SYJ5000-21-1A 1 set

→ The asterisk denotes the symbol for assembly. Prefix it to the part nos. of the solenoid valve, etc.

⚠ Caution

For Safety Instructions and Solenoid Valve Precautions, refer to pages 5-11-2 to 5-11-6.

4/5 Port Air Operated Valve Series SYJA5000

Specifications



Base mounted



Body ported

Fluid	Air	
Operating pressure range MPa	2 position single	0.15 to 0.7
	2 position double	0.1 to 0.7
	3 position	0.15 to 0.7
Pilot pressure range MPa ^{Note 1)}	2 position single	(0.4 x P+0.1) to 0.7 P: Operating pressure
	2 position double	0.1 to 0.7
	3 position	0.15 to 0.7
Ambient and fluid temperature °C	-10 to 50 (No freezing. Refer to page 5-11-4.)	
Lubrication	Not required	
Mounting orientation	Unrestricted	
Impact/Vibration resistance (m/s ²) ^{Note 2)}	300/50	

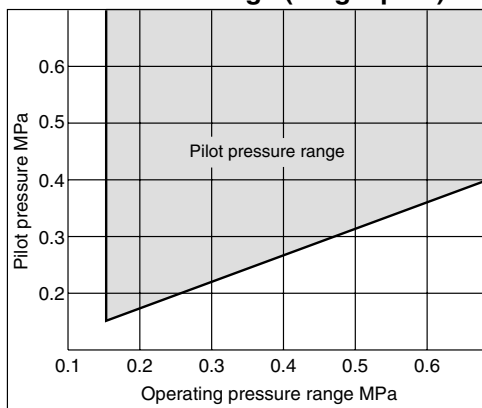


Note 1) In the case of single type, be certain that pressure within operating pressure range be supplied to supply port, because return pressure is introduced from supply port {1(P)} for activation.

Note 2) Impact resistance: No malfunction resulted from the impact test using a drop impact tester. The test was performed on the axis and right angle directions of the main valve, when pilot signal is ON and OFF. (Value in the initial state)

Vibration resistance: No malfunction occurred in one sweep test between 45 and 2000 Hz. Test was performed to axis and right angle directions of the main valve when pilot signal is ON and OFF. (Value in the initial state)

Pilot Pressure Range (Single pilot)



With Bracket

Air operated valve type	SYJA5120-M5-F
-------------------------	---------------

The mounting bracket is supplied unattached.

Flow Characteristics/Weight

Valve model	Type of actuation	Port size	Flow characteristics ^{Note 1)}						Pilot port size	Weight (g) ^{Note 2)}		
			1 → 4/2 (P → A/B)			4/2 → 5/3 (A/B → EA/EB)						
			C [dm ³ /(s·bar)]	b	Cv	C [dm ³ /(s·bar)]	b	Cv				
Body ported	SYJA5□20-M5	2 position	Single	M5 x 0.8	0.47	0.41	0.13	0.47	0.41	0.13	M5 x 0.8	45
			Double									60
		3 position	Closed center		0.49	0.44	0.13	0.44	0.40	0.12		70
			Exhaust center		0.46	0.37	0.12	0.47 [0.39]	0.43 [0.35]	0.13 [0.10]		
	SYJA5□20-C4	2 position	Single	A, B port: C4 (One-touch fitting for ø4) P, R port: M5 x 0.8	0.69	0.39	0.18	0.44	0.39	0.12	M5 x 0.8	52
			Double									67
		3 position	Closed center		0.69	0.40	0.19	0.43	0.40	0.12		77
			Exhaust center		0.56	0.40	0.15	0.41 [0.41]	0.37 [0.37]	0.10 [0.11]		
	SYJA5□20-C6	2 position	Single	A, B port: C6 (One-touch fitting for ø6) P, R port: M5 x 0.8	0.70	0.36	0.19	0.47	0.40	0.12	M5 x 0.8	52
			Double									67
		3 position	Closed center		0.72	0.37	0.19	0.44	0.34	0.12		77
			Exhaust center		0.67	0.54	0.19	0.41 [0.41]	0.38 [0.38]	0.11 [0.11]		
SYJA5□40-01	2 position	Single	1/8	0.79	0.21	0.19	0.83	0.32	0.21	M5 x 0.8	79 (45)	
		Double									94 (60)	
	3 position	Closed center		0.80	0.28	0.18	0.86	0.34	0.20		104(70)	
		Exhaust center		0.71	0.26	0.18	1.1 [0.60]	0.24 [0.44]	0.26 [0.18]			
		Pressure center	0.99 [0.47]	0.29 [0.38]	0.24 [0.12]	0.72	0.38	0.18				



Note 1) []: Denotes normal position.

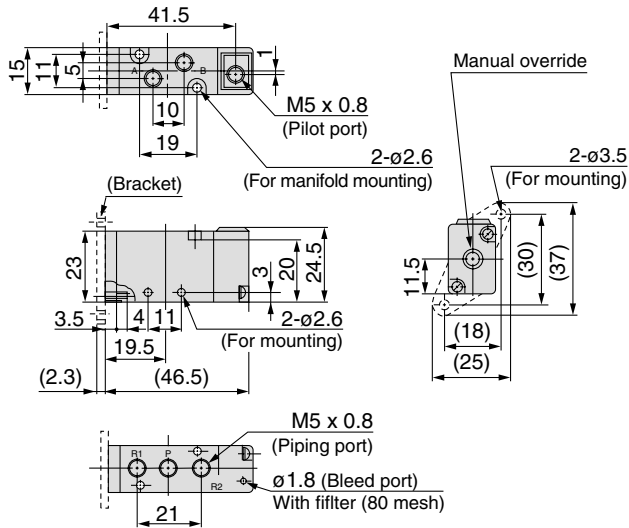
Note 2) (): Without sub-plate.

Note 3) 5 port base mounted without sub-plate: SYJA5□40

Series SYJA5000

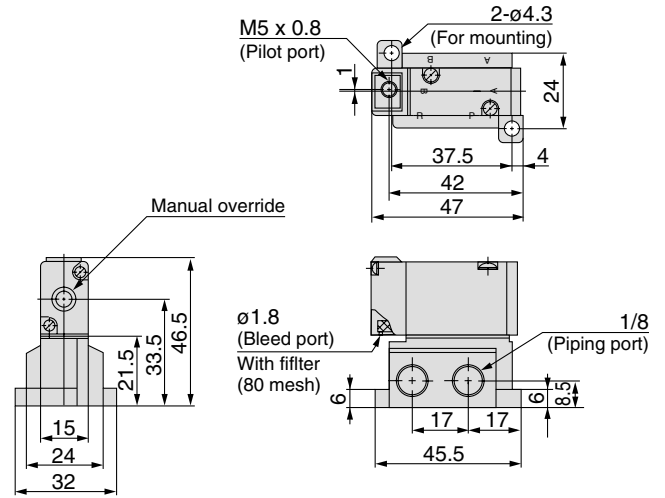
Dimensions: Body Ported

2 position single: SYJA5120-M5(-F)

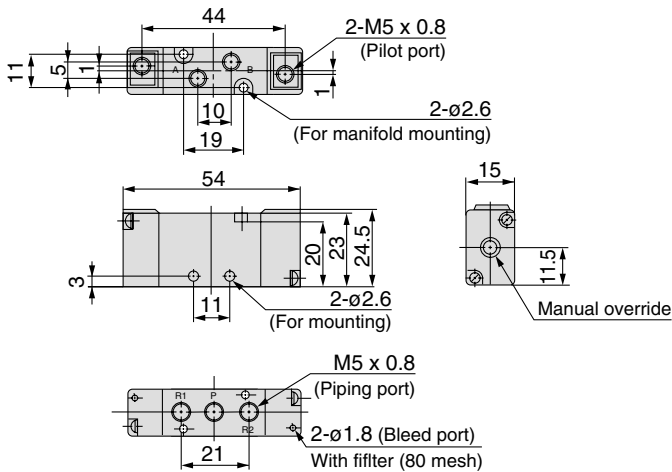


Dimensions: Base Mounted

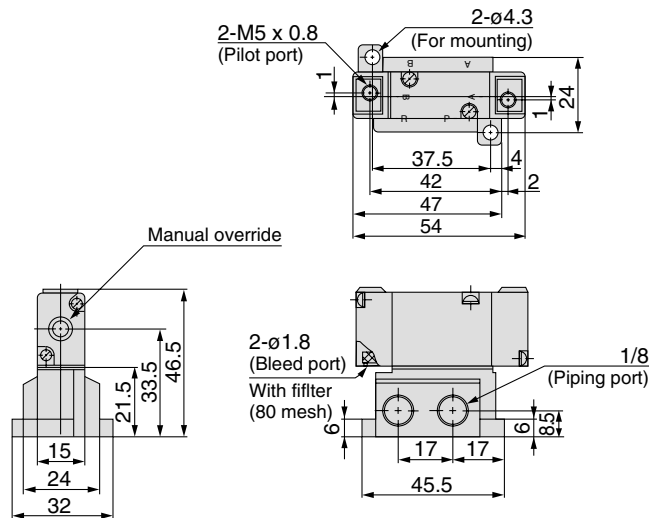
2 position single: SYJA5140-01□



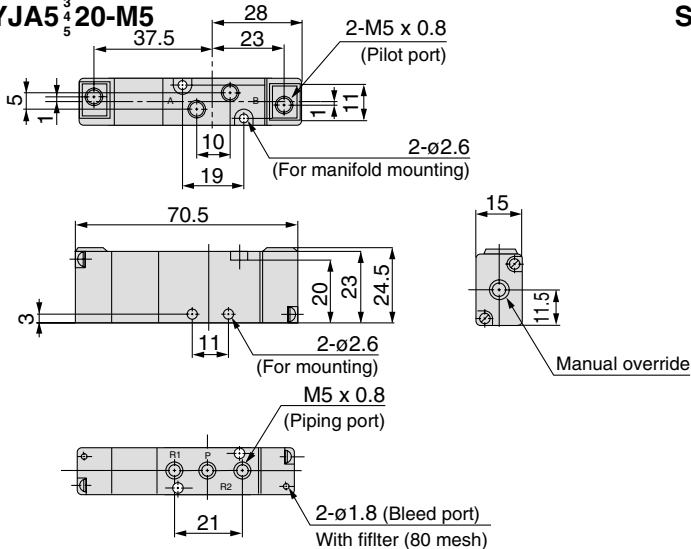
2 position double: SYJA5220-M5



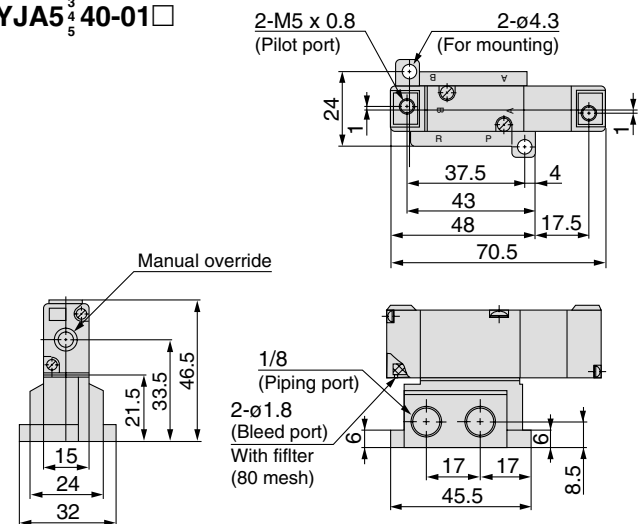
2 position double: SYJA5240-01□



3 position closed center/exhaust center/pressure center SYJA5³/₅20-M5

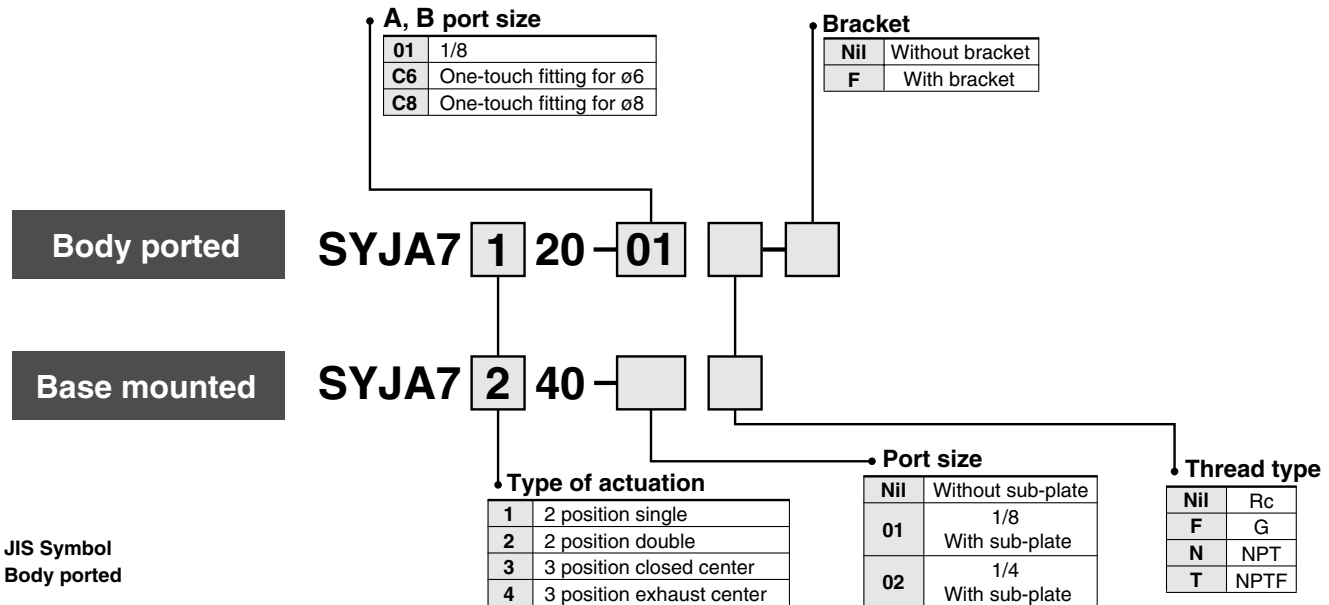


3 position closed center/exhaust center/pressure center SYJA5³/₅40-01□



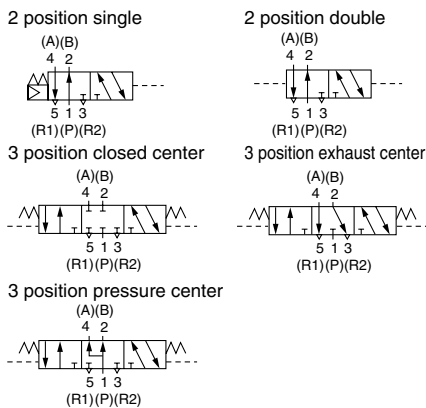
4/5 Port Air Operated Valve Series SYJA7000

How to Order

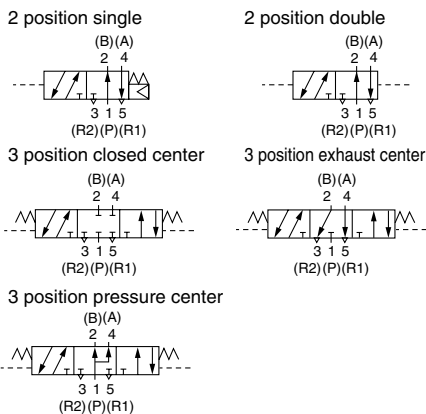


- S□A
- V□A
- S□A
- V□A
- VM
- VR
- VH
- VHS

JIS Symbol Body ported



Base mounted



⚠ Caution

For Safety Instructions and Solenoid Valve Precautions, refer to pages 5-11-2 to 5-11-6.

How to Order Manifold Base

Same manifolds as series SYJ7000 are prepared.

SS5YJA7— Fill the same as SS5YJ7.

Instruct by specifying the valves and blanking plate assembly to be mounted on the manifold along with the manifold base model no.

(Example)

- SS5YJA7-41-03-01 1 pc.
- * SYJA7140..... 1 pc.
- * SYJA7240..... 1 pc.
- * SYJ7000-21-1A..... 1 pc.

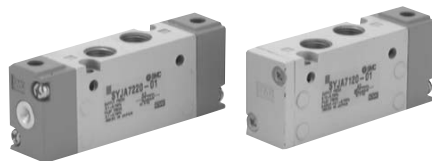
↳ The asterisk denotes the symbol for assembly. Prefix it to the part nos. of the solenoid valve, etc.

Series SYJA7000

Specifications



Base mounted



Body ported

Fluid		Air
Operating pressure range MPa	2 position single	0.15 to 0.7
	2 position double	0.1 to 0.7
	3 position	0.15 to 0.7
Pilot pressure range MPa ^{Note 1)}	2 position single	(0.4 x P+0.1) to 0.7 P: Operating pressure
	2 position double	0.1 to 0.7
	3 position	0.15 to 0.7
Ambient and fluid temperature °C		-10 to 50 (No freezing. Refer to page 5-11-4.)
Lubrication		Not required
Mounting orientation		Unrestricted
Impact/Vibration resistance (m/s ²) ^{Note 2)}		300/50

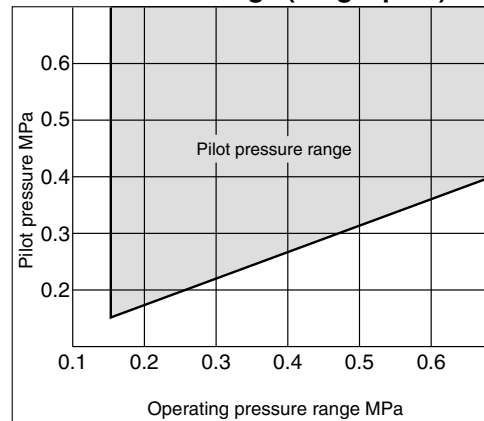


Note 1) In the case of single type, be certain that pressure within operating pressure range be supplied to supply port, because return pressure is introduced from supply port {1(P)} for activation.

Note 2) Impact resistance: No malfunction resulted from the impact test using a drop impact tester. The test was performed on the axis and right angle directions of the main valve, when pilot signal is ON and OFF. (Value in the initial state)

Vibration resistance: No malfunction occurred in one sweep test between 45 and 2000 Hz. Test was performed to axis and right angle directions of the main valve when pilot signal is ON and OFF. (Value in the initial state)

Pilot Pressure Range (Single pilot)



With Bracket

Air operated valve type	SYJA7120-01-F
-------------------------	---------------

As a bracket is designed for a body, be sure that a bracket is attached when ordering and operating.

4/5 Port Air Operated Valve Series SYJA7000

Flow Characteristics/Weight

Valve model		Type of actuation		Port size	Flow characteristics <small>Note 2)</small>						Pilot port size	<small>Note 3)</small> Weight (g)
					1 → 4/2 (P → A/B)			4/2 → 5/3 (A/B → EA/EB)				
					C [dm ³ /(s·bar)]	b	Cv	C [dm ³ /(s·bar)]	b	Cv		
Body ported	SYJA7□20-01	2 position	Single	1/8	2.2	0.36	0.58	2.4	0.34	0.63	90	
			Double								110	
		3 position	Closed center		1.8	0.37	0.45	2.0	0.35	0.49	120	
			Exhaust center									
			Pressure center									
	SYJA7□20-C6	2 position	Single	A, B port: C6 (One-touch fitting for ø6) P, R port: 1/8	1.6	0.33	0.4	2.2	0.32	0.53	101	
			Double								121	
		3 position	Closed center		1.4	0.27	0.35	1.9	0.33	0.49	131	
			Exhaust center									
			Pressure center									
SYJA7□20-C8	2 position	Single	A, B port: C8 (One-touch fitting for ø8) P, R port: 1/8	2.0	0.39	0.52	2.3	0.34	0.61	101		
		Double								121		
	3 position	Closed center		1.7	0.35	0.42	2.0	0.29	0.49	131		
		Exhaust center										
		Pressure center										
Base mounted (With sub-plate)	SYJA7□40-01	2 position	Single	1/8 <small>Note 1)</small>	2.3	0.45	0.57	2.8	0.37	0.71	170 (90)	
			Double								190 (110)	
		3 position	Closed center		1.9	0.36	0.48	2.1	0.46	0.57	200 (120)	
			Exhaust center									
			Pressure center									
	SYJA7□40-02	2 position	Single	1/4 <small>Note 1)</small>	2.3	0.41	0.61	2.9	0.35	0.74	170 (90)	
			Double								190 (110)	
		3 position	Closed center		1.9	0.46	0.50	2.2	0.44	0.60	200 (120)	
			Exhaust center									
			Pressure center									



Note 1) P, A, B Port: Rc1/8 is R1, R2 port: Rc (PT) 1/4

Note 2) []: Denotes normal position

Note 3) (): Without sub-plate

Note 4) 5 port base mounted without sub-plate: SYJA□40

S□A

V□A

S□A

V□A

VM

VR

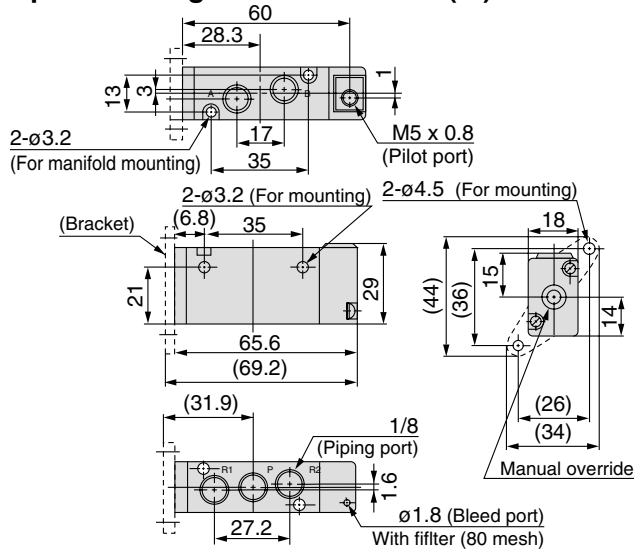
VH

VHS

Series SYJA7000

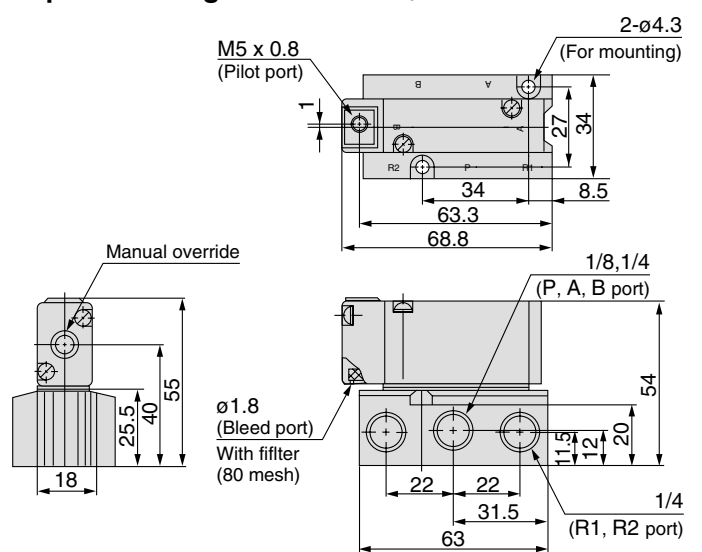
Dimensions: Body Ported

2 position single: SYJA7120-01□(-F)

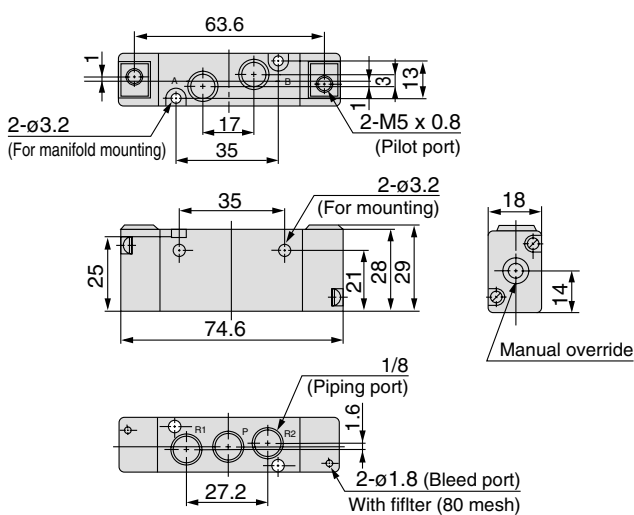


Dimensions: Base Mounted

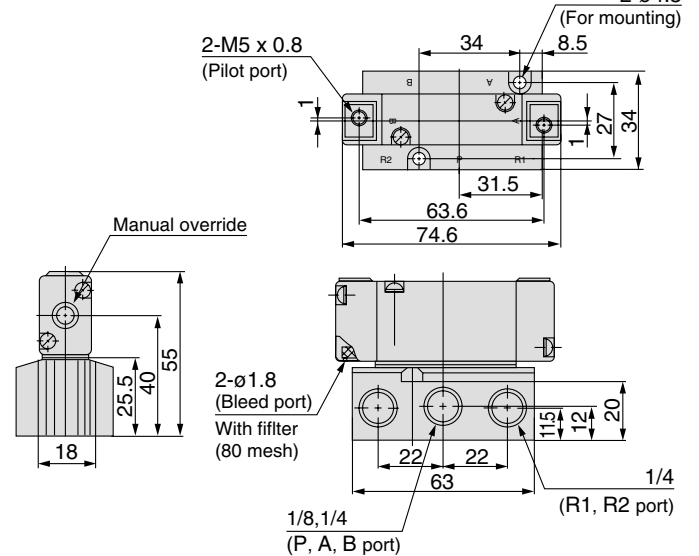
2 position single: SYJA7140-01□



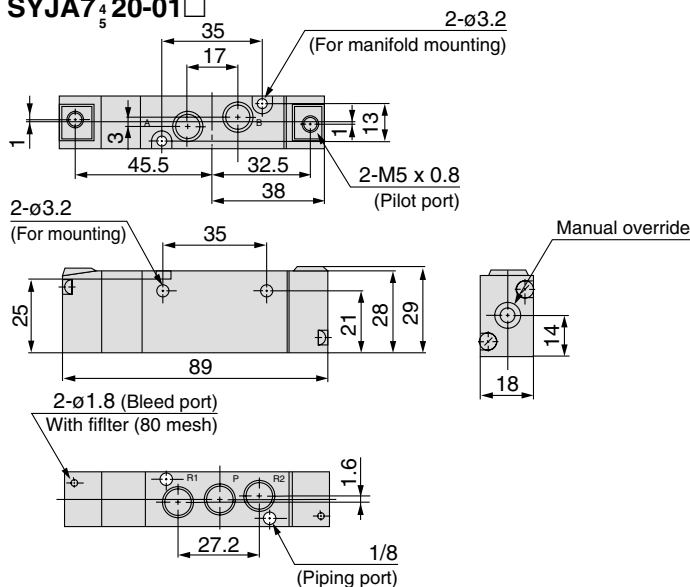
2 position double: SYJA7220-01□



2 position double: SYJA7240-01□



3 position closed center/exhaust center/pressure center SYJA7³/₅20-01□



3 position closed center/exhaust center/pressure center SYJA7³/₅40-01□

