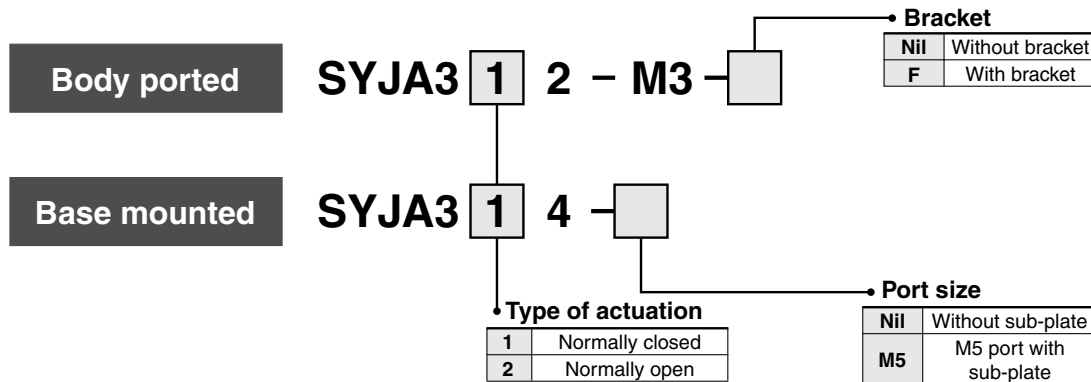


# 3 Port Air Operated Valve

## Series SYJA300

### How to Order



- S□A
- V□A
- S□A
- V□A
- VM
- VR
- VH
- VHS

### How to Order Manifold Base

Same manifolds as Series SYJ300 are prepared.

SS3YJA3 - [Fill the same as SS3YJ3.]

\* Instruct by specifying the valves and blanking plate assembly to be mounted on the manifold along with the manifold base model no.

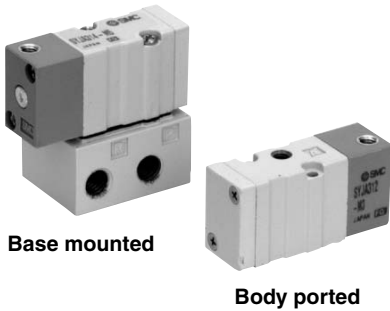
(Example)

- SS3YJA3-41-03-M3 ..... 1 set
- \*SYJA314 ..... 1 set
- \*SYJA324 ..... 1 set
- \*SYJ300-10-2A ..... 1 set

↳ The asterisk denotes the symbol for assembly. Prefix it to the part nos. of the solenoid valve, etc.

# Series SYJA300

## Compact and lightweight



## Specifications

Fluid	Air
Operating pressure range (MPa)	0.15 to 0.7
Pilot pressure range MPa <sup>Note 1)</sup>	Operating pressure range to 0.7
Ambient and fluid temperature (°C)	-10 to 50 (No freezing. Refer to page 5-11-4.)
Lubrication	Not required
Mounting orientation	Unrestricted
Impact/Vibration resistance (m/s <sup>2</sup> ) <sup>Note 2)</sup>	150/30



Note 1) Be certain that pressure within operating pressure range be supplied to supply port, because return pressure is introduced from supply port {1(P)} for activation.

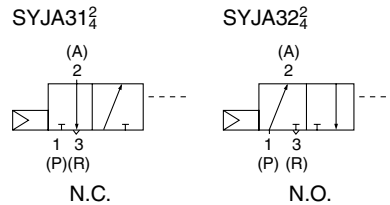
Note 2) Impact resistance: No malfunction resulted from the impact test using a drop impact tester. The test was performed on the axis and right angle directions of the main valve, when pilot signal is ON and OFF. (Value in the initial state)

Vibration resistance: No malfunction occurred in one sweep test between 45 and 2000 Hz. Test was performed to axis and right angle directions of the main valve when pilot signal is ON and OFF. (Value in the initial state)

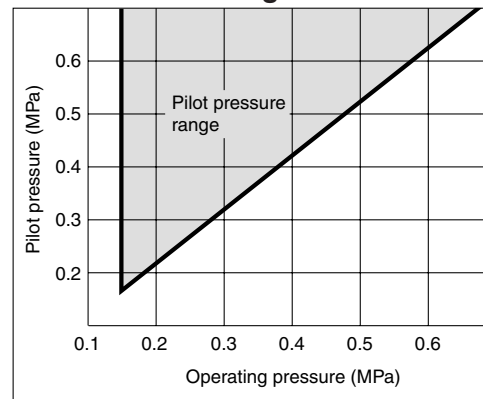
## With Bracket

Air operated valve type	SYJA3 <sup>1</sup> / <sub>2</sub> 2-M3-F
-------------------------	--

### JIS Symbol



### Pilot Pressure Range



### ⚠ Caution

For Safety Instructions and Solenoid Valve Precautions, refer to pages 5-11-2 to 5-11-6.

## Flow Characteristics/Weight

Valve model	Type of actuation	Port size	Flow characteristics						Pilot port size	Weight (g)	Effective area (mm <sup>2</sup> )	
			1 → 2 (P → A)			2 → 3 (A → R)						
			C [dm <sup>3</sup> /(s bar)]	b	Cv	C [dm <sup>3</sup> /(s bar)]	b	Cv				
Body ported	SYJA312-M3	N.C.	M3 x 0.5	—	—	—	—	—	—	M3 x 0.5	18	0.9
	SYJA322-M3	N.O.		—	—	—	—	—	—			
Base mounted (with sub-plate)	SYJA314-M5	N.C.	M5 x 0.8	0.41	0.18	0.086	0.35	0.33	0.086	M3 x 0.5	39 (Without sub-plate 18)	—
	SYJA324-M5	N.O.		0.36	0.31	0.089	0.36	0.31	0.089			

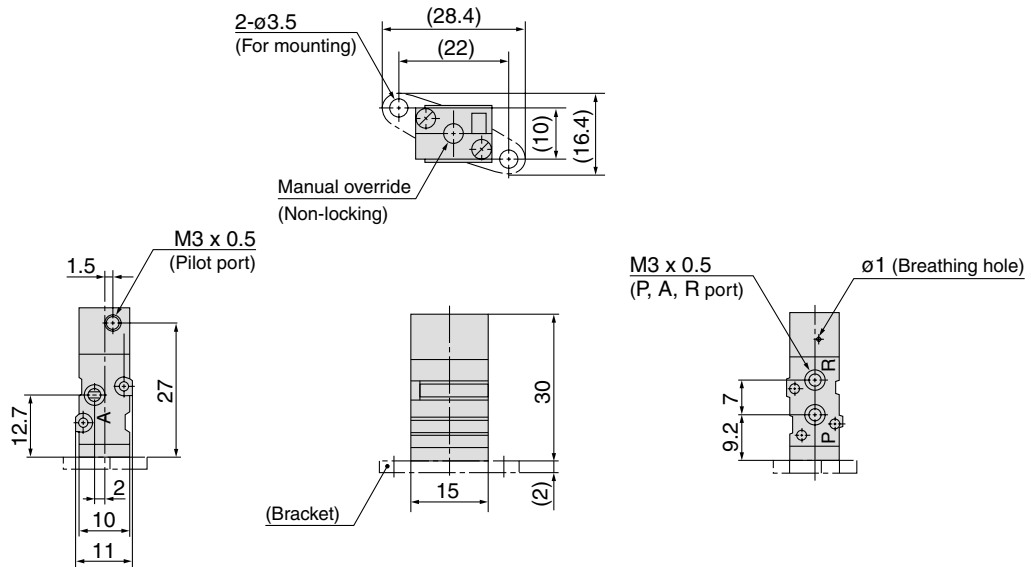


Note) Model no. for base mounted style without sub-plate is SYJA3<sup>1</sup>/<sub>4</sub>.

# 3 Port Air Operated Valve Series SYJA300

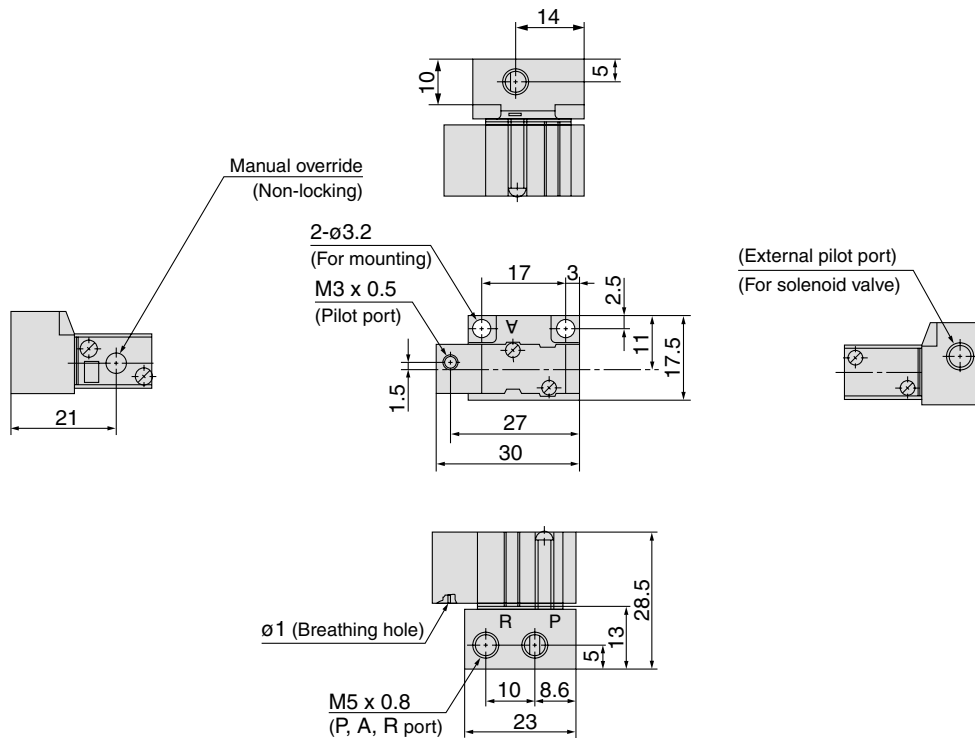
## Dimensions

Body ported: SYJA3□2-M3(-F)



S□A
V□A
S□A
V□A
VM
VR
VH
VHS

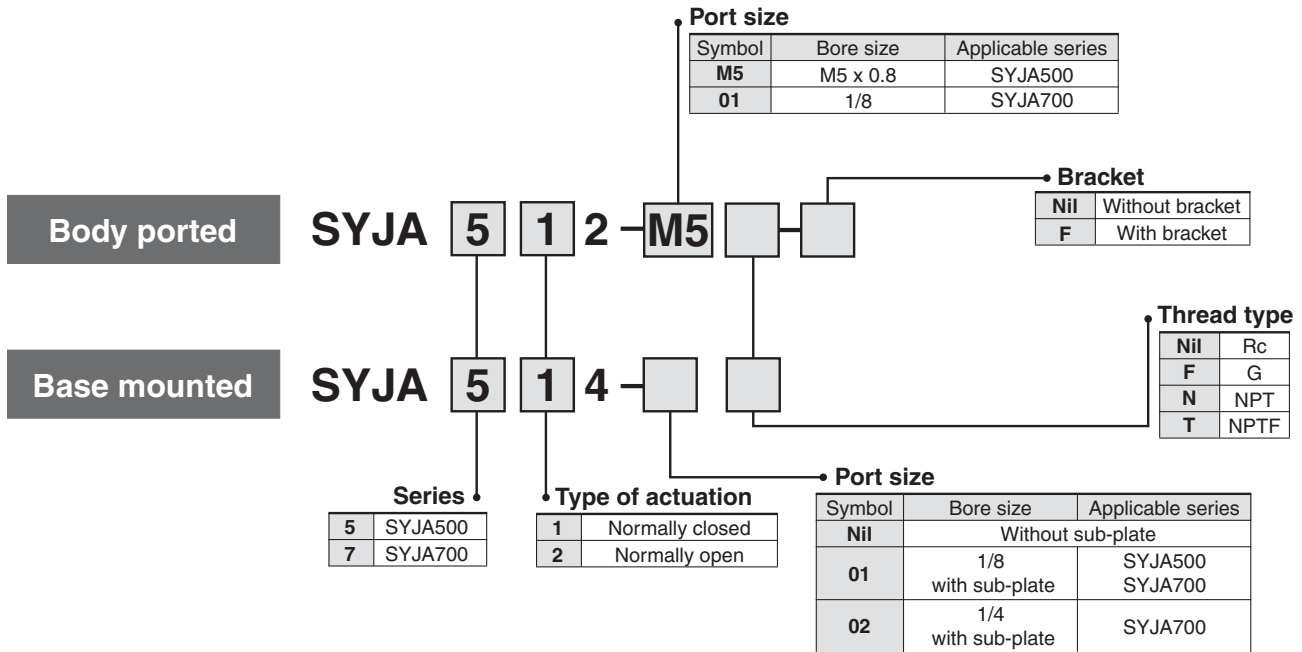
Base mounted: SYJA3□4-M5



# 3 Port Air Operated Valve

## Series SYJA500/700

### How to Order



### How to Order Manifold Base

Same manifolds as series SYJ500/700 are prepared.

(For SYJA500) **SS3YJA5** - Fill the same as SS3YJ5.

(For SYJA700) **SS3YJA7** - Fill the same as SS3YJ7.

\* Instruct by specifying the valves and blanking plate assembly to be mounted on the manifold along with the manifold base model no.

(Example)

SS3YJA5-40-03-01..... 1 set  
 \*SYJA514 ..... 2 sets  
 \*SYJ500-10-3A ..... 1 set

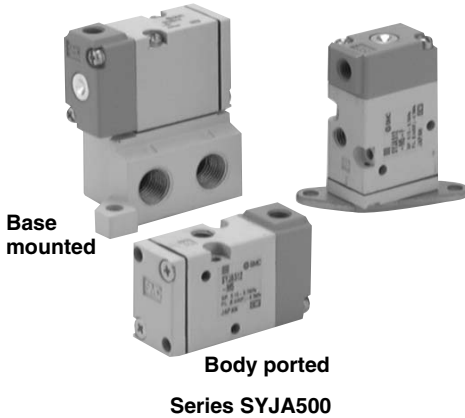
(Example)

SS3YJA7-41-03-01..... 1 set  
 \*SYJA714 ..... 2 sets  
 \*SYJ700-10-2A ..... 1 set

↳ The asterisk denotes the symbol for assembly. Prefix it to the part nos. of the solenoid valve, etc.

# 3 Port Air Operated Valve Series SYJA500/700

## Specifications



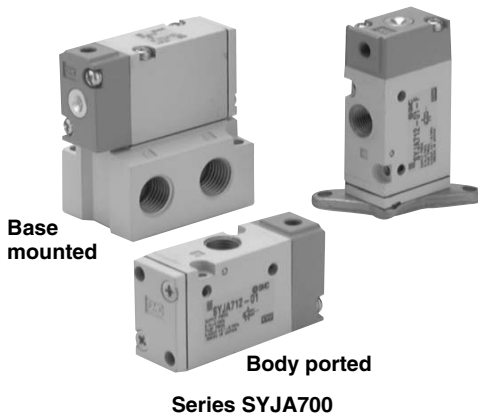
Fluid	Air
Operating pressure range (MPa)	0.15 to 0.7
Pilot pressure range (MPa) <sup>Note 1)</sup>	(0.4 x P + 0.1) to 0.7 P: Operating pressure range
Ambient and fluid temperature (°C)	-10 to 50 (No freezing. Refer to page 5-11-4.)
Lubrication	Not required (Use turbine oil Class 1 ISO VG32, if lubricated.)
Mounting orientation	Unrestricted
Impact/Vibration resistance (m/s <sup>2</sup> ) <sup>Note 2)</sup>	300/50

**Note 1)** Be certain that pressure within operating pressure range be supplied to supply port, because return pressure is introduced from supply port {1(P)} for activation.

**Note 2)** Impact resistance: No malfunction resulted from the impact test using a drop impact tester. The test was performed on the axis and right angle directions of the main valve, when pilot signal is ON and OFF. (Value in the initial state)

Vibration resistance: No malfunction occurred in one sweep test between 45 and 2000 Hz. Test was performed to axis and right angle directions of the main valve when pilot signal is ON and OFF. (Value in the initial state)

- S□A
- V□A
- S□A
- V□A
- VM
- VR
- VH
- VHS

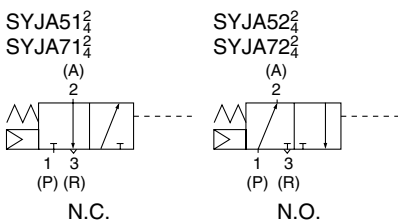


## With Bracket

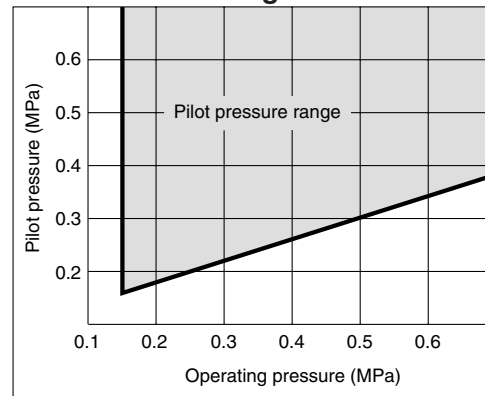
Air operated valve type	SYJA5 <sup>1</sup> / <sub>2</sub> -2-M5-F, SYJA7 <sup>1</sup> / <sub>2</sub> -2-01-F
-------------------------	--

Note) Bracket is not mounted.

## JIS Symbol



## Pilot Pressure Range



## ⚠ Caution

For Safety Instructions and Solenoid Valve Precautions, refer to pages 5-11-2 to 5-11-6.

## Flow Characteristics/Weight

Valve model	Type of actuation	Port size	Flow characteristics						Pilot port size	Weight (g)	
			1 → 2 (P → A)			2 → 3 (A → R)					
			C [dm <sup>3</sup> /(s bar)]	b	Cv	C [dm <sup>3</sup> /(s bar)]	b	Cv			
Body ported	SYJA512-M5	N.C.	M5 x 0.8	0.53	0.45	0.14	0.47	0.39	0.12	45	
	SYJA522-M5	N.O.		0.66	0.45	0.18	0.66	0.45	0.18		
Base mounted (with sub-plate)	SYJA514-01	N.C.	Rc 1/8	1.2	0.41	0.32	1.1	0.46	0.32	M5 x 0.8	75 (Without sub-plate 45)
	SYJA524-01	N.O.		1.3	0.37	0.33	1.2	0.48	0.34		
Body ported	SYJA712-01	N.C.	Rc 1/8	2.8	0.43	0.77	2.5	0.51	0.76	M5 x 0.8	80
	SYJA722-01	N.O.		2.7	0.38	0.72	2.4	0.42	0.69		
Base mounted (with sub-plate)	SYJA714-01	N.C.	Rc 1/8	2.9	0.32	0.71	2.7	0.34	0.69	M5 x 0.8	130 (Without sub-plate 80)
	SYJA714-02		Rc 1/4	3.0	0.31	0.74	2.6	0.33	0.66		
	SYJA724-01	N.O.	Rc 1/8	2.8	0.21	0.70	2.3	0.45	0.63		
	SYJA724-02		Rc 1/4	2.7	0.31	0.68	2.3	0.48	0.64		

Note) Model no. for base mounted style without sub-plate is SYJA5<sup>1</sup>/<sub>2</sub>, SYJA7<sup>1</sup>/<sub>2</sub>.

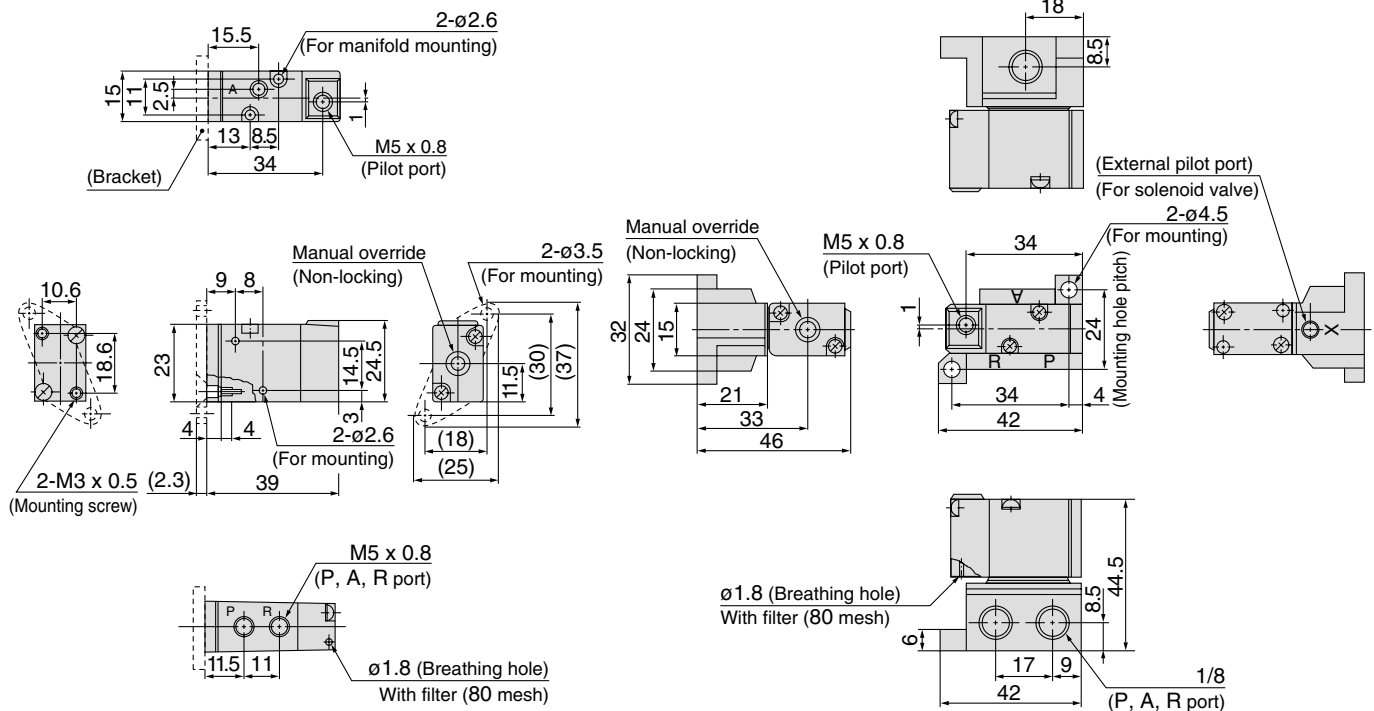
# Series SYJA500/700

## Dimensions

### Series SYJA500

Body ported: SYJA5□2-M5(-F)

Base mounted: SYJA5□4-01□



### Series SYJA700

Body ported: SYJA7□2-01□ (-F)

Base mounted: SYJA7□4-01□

