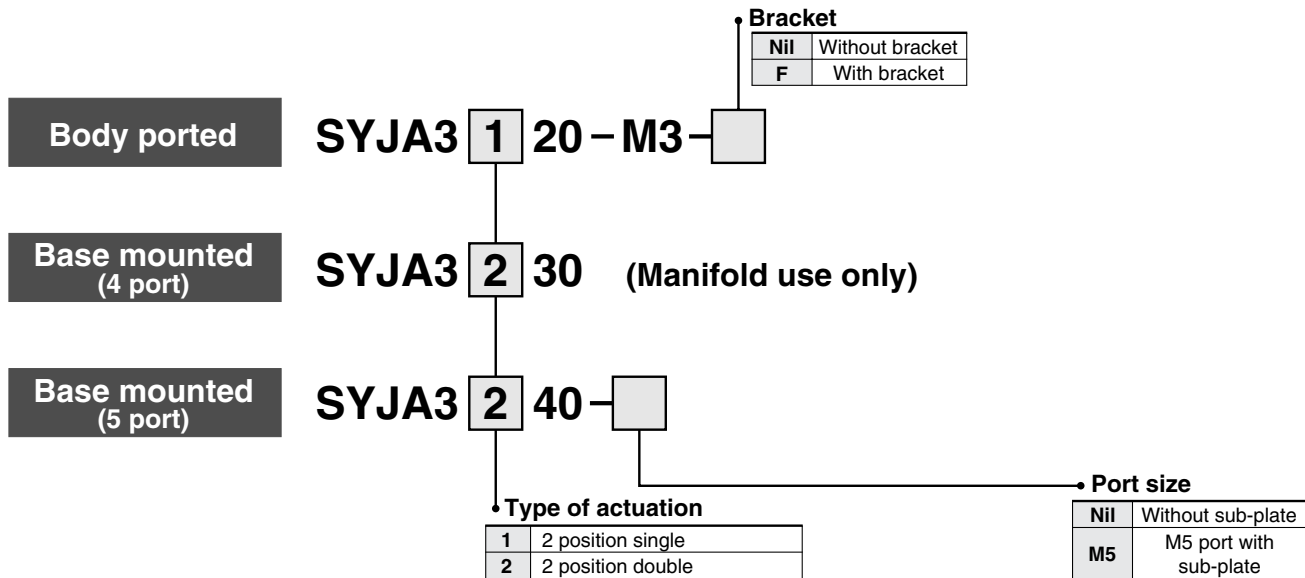
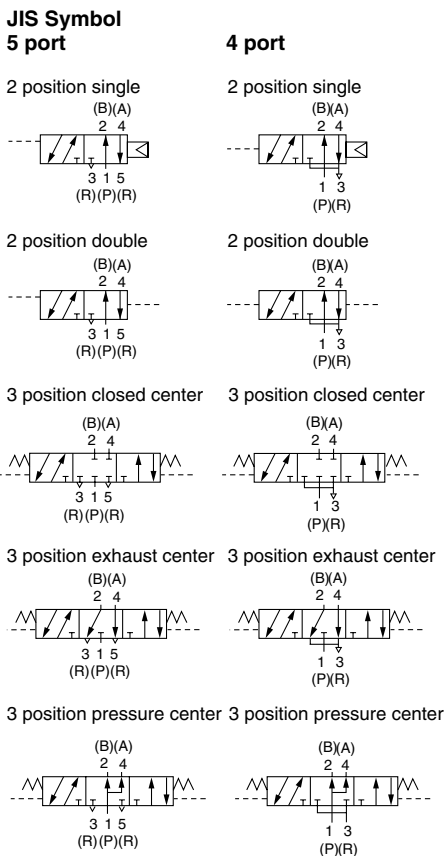


4/5 Port Air Operated Valve Series SYJA3000

How to Order



- S□A
- V□A
- S□A
- V□A
- VM
- VR
- VH
- VHS



How to Order Manifold Base

Same manifolds as series SYJ3000 are prepared.

SS5YJA3—

Instruct by specifying the valves and blanking plate assembly to be mounted on the manifold along with the manifold base model no.

(Example)
 SS5YJA3-41-03-M5 1 pc.
 *SYJA3140..... 1 pc.
 *SYJA3240..... 1 pc.
 *SYJ3000-21-2A..... 1 pc.

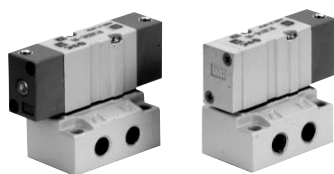
↳ The asterisk denotes the symbol for assembly. Prefix it to the part nos. of the solenoid valve, etc.

⚠ Caution

For Safety Instructions and Solenoid Valve Precautions, refer to pages 5-11-2 to 6.

Series SYJA3000

Specifications



Base mounted



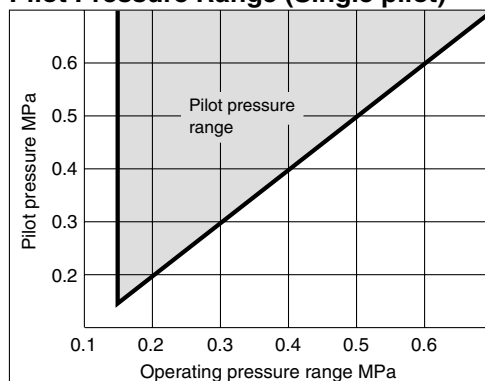
Body ported

Fluid	Air	
Operating pressure range MPa	2 position single	0.15 to 0.7
	2 position double	0.1 to 0.7
	3 position	0.2 to 0.7
Pilot pressure range MPa <small>Note 1)</small>	2 position single	Operating pressure to 0.7
	2 position double	0.1 to 0.7
	3 position	0.2 to 0.7
Ambient and fluid temperature °C	-10 to 50 (No freezing. Refer to page 5-11-4.)	
Lubrication	Not required	
Mounting orientation	Unrestricted	
Impact/Vibration resistance (m/s ²) <small>Note 2)</small>	300/50	

Note 1) In the case of single type, be certain that pressure within operating pressure range be supplied to supply port, because return pressure is introduced from supply port {1(P)} for activation.

Note 2) Impact resistance: No malfunction resulted from the impact test using a drop impact tester. The test was performed on the axis and right angle directions of the main valve, when pilot signal is ON and OFF. (Value in the initial state)
 Vibration resistance: No malfunction occurred in one sweep test between 45 and 2000 Hz. Test was performed to axis and right angle directions of the main valve when pilot signal is ON and OFF. (Value in the initial state)

Pilot Pressure Range (Single pilot)



With Bracket

Air operated valve type	SYJA3□20-M3-F
-------------------------	---------------

The mounting bracket for the 2 position double solenoid and 3 position is supplied unattached.

Flow Characteristics/Weight

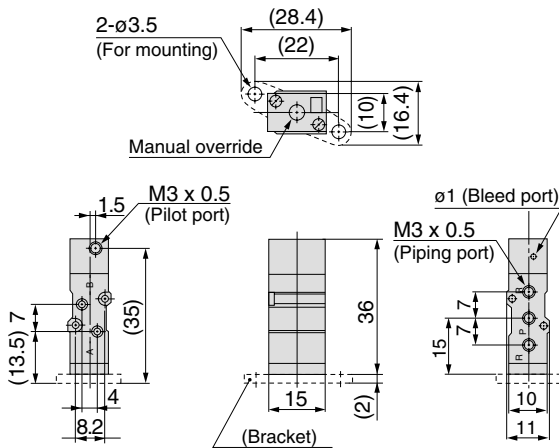
* Refer to memo for contents that have been changed.

Valve model	Type of actuation	Port size	Pilot port size	Weight (g) <small>Note 3)</small>	Effective area mm ²	Flow characteristics <small>Note 2)</small>												
						1 → 4/2 (P → A/B)			4/2 → 5/3 (A/B → EA/EB)									
						C [dm ³ /(s·bar)]	b	Cv	C [dm ³ /(s·bar)]	b	Cv							
5 port base mounted (with sub-plate)	2 position	Single	M5 x 0.8	M3 x 0.5	—	0.46	0.36	0.12	0.46	0.35	0.12							
												Double	51 (25)					
	3 position	Closed center												54 (28)	0.47	0.33	0.12	0.47
												Exhaust center	0.36					
		Pressure center			0.58 [0.32]	0.42 [0.33]	0.16 [0.080]	0.46	0.32	0.11								
Body ported	2 position	Single	M3 x 0.5	M3 x 0.5	0.9	0.46	0.36	0.12	0.46	0.35	0.12							
												Double	22					
	3 position	Closed center												25	0.47	0.33	0.12	0.47
												Exhaust center	28					
		Pressure center																
4 Port base mounted (For manifold) <small>Note 1)</small>	2 position	Single	—	M3 x 0.5	28	0.46	0.36	0.12	0.46	0.35	0.12							
												Double	22					
	3 position	Closed center												25	0.47	0.33	0.12	0.47
												Exhaust center						
		Pressure center																

Note 1) Value when used on a manifold. Refer to page 5-2-19 for details.
Note 2) []: Denotes normal position.
Note 3) (): Without sub-plate.
Note 4) 5 port base mounted without sub-plate: SYJA3□40

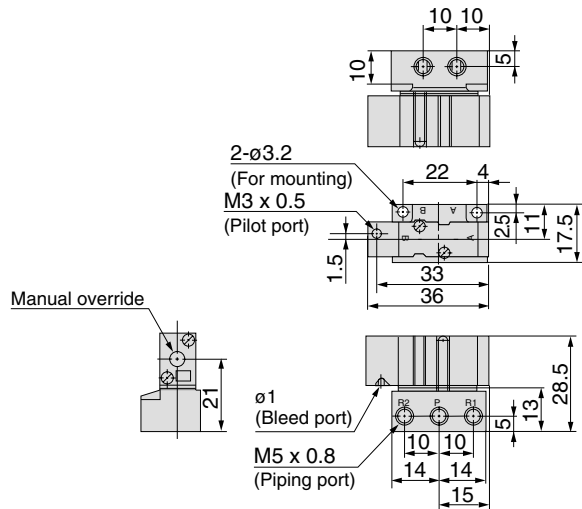
Dimensions: Body Ported

2 position single: SYJA3120-M3(-F)

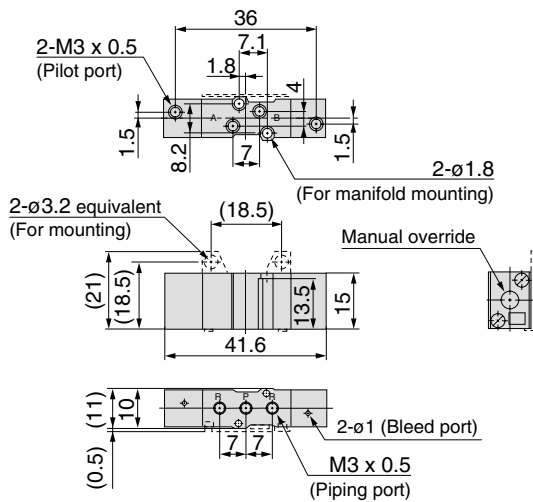


Dimensions: Base Mounted

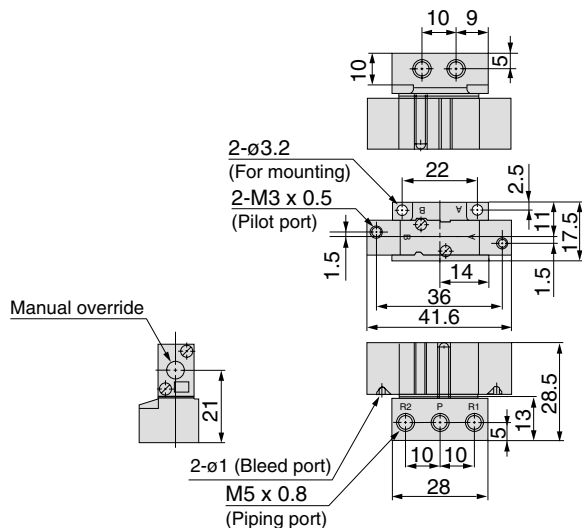
2 position single: SYJA3140-M5



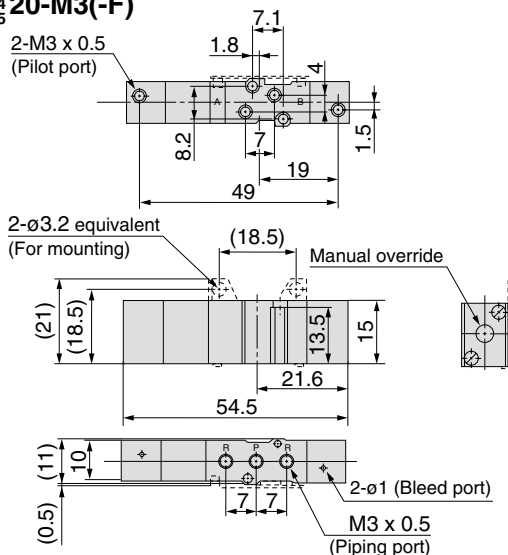
2 position double: SYJA3220-M3(-F)



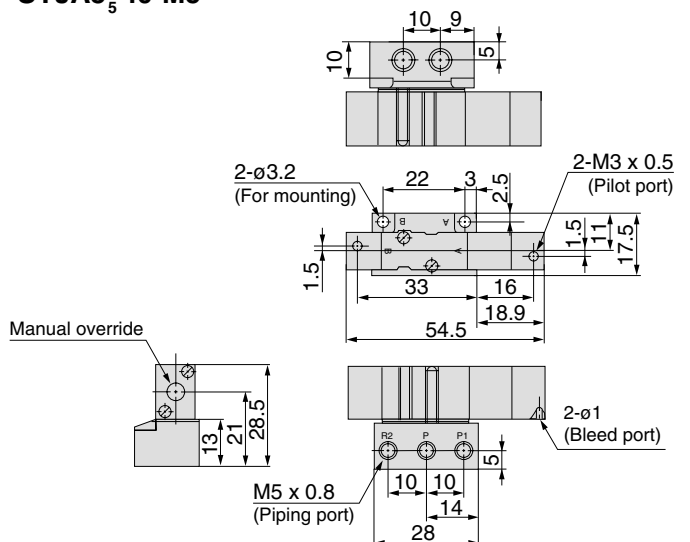
2 position double: SYJA3240-M5



3 position closed center/exhaust center/pressure center SYJA3₅⁴20-M3(-F)



3 position closed center/exhaust center/pressure center SYJA3₅⁴40-M5



- S□A
- V□A
- S□A
- V□A
- VM
- VR
- VH
- VHS