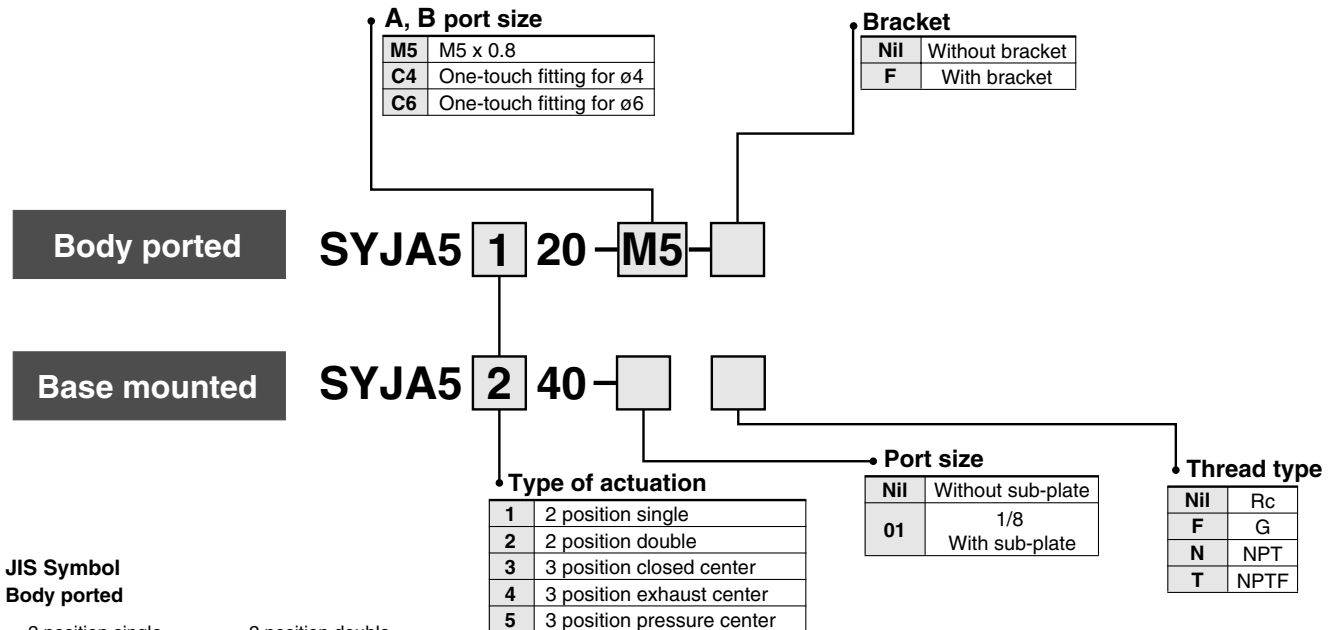


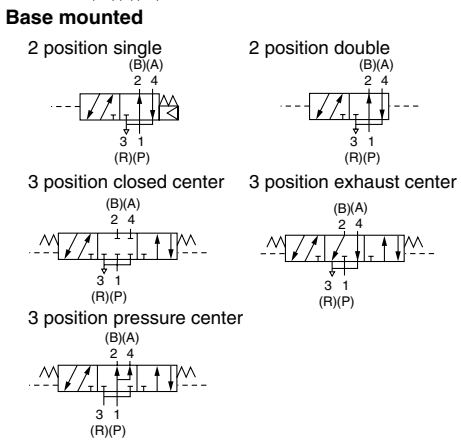
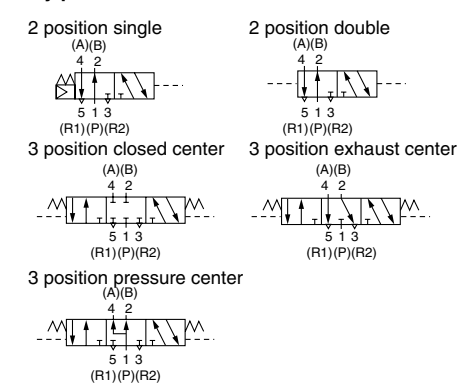
4/5 Port Air Operated Valve

Series SYJA5000

How to Order



JIS Symbol



How to Order Manifold Base

Same manifolds as series SYJ5000 are prepared.

SS5YJA5 — Fill the same as SS5YJ5.

Instruct by specifying the valves and blanking plate assembly to be mounted on the manifold along with the manifold base model no.

(Example)
 SS5YJA5-42-03-01 1 set
 * SYJA5140 1 set
 * SYJA5240 1 set
 * SYJ5000-21-1A 1 set

↳ The asterisk denotes the symbol for assembly. Prefix it to the part nos. of the solenoid valve, etc.

⚠ Caution

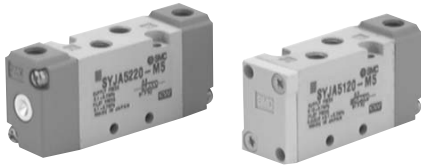
For Safety Instructions and Solenoid Valve Precautions, refer to pages 5-11-2 to 5-11-6.

4/5 Port Air Operated Valve Series SYJA5000

Specifications



Base mounted



Body ported

Fluid	Air	
Operating pressure range MPa	2 position single	0.15 to 0.7
	2 position double	0.1 to 0.7
	3 position	0.15 to 0.7
Pilot pressure range MPa ^{Note 1)}	2 position single	(0.4 x P+0.1) to 0.7 P: Operating pressure
	2 position double	0.1 to 0.7
	3 position	0.15 to 0.7
Ambient and fluid temperature °C	-10 to 50 (No freezing. Refer to page 5-11-4.)	
Lubrication	Not required	
Mounting orientation	Unrestricted	
Impact/Vibration resistance (m/s ²) ^{Note 2)}	300/50	

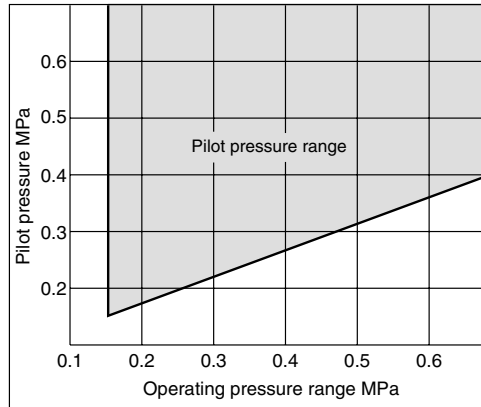


Note 1) In the case of single type, be certain that pressure within operating pressure range be supplied to supply port, because return pressure is introduced from supply port {1(P)} for activation.

Note 2) Impact resistance: No malfunction resulted from the impact test using a drop impact tester. The test was performed on the axis and right angle directions of the main valve, when pilot signal is ON and OFF. (Value in the initial state)

Vibration resistance: No malfunction occurred in one sweep test between 45 and 2000 Hz. Test was performed to axis and right angle directions of the main valve when pilot signal is ON and OFF. (Value in the initial state)

Pilot Pressure Range (Single pilot)



With Bracket

Air operated valve type	SYJA5120-M5-F
-------------------------	---------------

The mounting bracket is supplied unattached.

Flow Characteristics/Weight

Valve model	Type of actuation	Port size	Flow characteristics ^{Note 1)}						Pilot port size	Weight (g) ^{Note 2)}		
			1 → 4/2 (P → A/B)			4/2 → 5/3 (A/B → EA/EB)						
			C [dm ³ /s-bar]	b	Cv	C [dm ³ /s-bar]	b	Cv				
Body ported	SYJA5□20-M5	2 position	Single	M5 x 0.8	0.47	0.41	0.13	0.47	0.41	0.13	M5 x 0.8	45
			Double									60
		3 position	Closed center		0.49	0.44	0.13	0.44	0.40	0.12		70
			Exhaust center		0.46	0.37	0.12	0.47 [0.39]	0.43 [0.35]	0.13 [0.10]		
	SYJA5□20-C4	2 position	Single	A, B port: C4 (One-touch fitting for ø4) P, R port: M5 x 0.8	0.69	0.39	0.18	0.44	0.39	0.12	M5 x 0.8	52
			Double									67
		3 position	Closed center		0.69	0.40	0.19	0.43	0.40	0.12		77
			Exhaust center		0.56	0.40	0.15	0.41 [0.41]	0.37 [0.37]	0.10 [0.11]		
	SYJA5□20-C6	2 position	Single	A, B port: C6 (One-touch fitting for ø6) P, R port: M5 x 0.8	0.70	0.36	0.19	0.47	0.40	0.12	M5 x 0.8	52
			Double									67
		3 position	Closed center		0.72	0.37	0.19	0.44	0.34	0.12		77
			Exhaust center		0.67	0.54	0.19	0.41 [0.41]	0.38 [0.38]	0.11 [0.11]		
SYJA5□40-01	2 position	Single	1/8	0.79	0.21	0.19	0.83	0.32	0.21	M5 x 0.8	79 (45)	
		Double									94 (60)	
	3 position	Closed center		0.80	0.28	0.18	0.86	0.34	0.20		104(70)	
		Exhaust center		0.71	0.26	0.18	1.1 [0.60]	0.24 [0.44]	0.26 [0.18]			
		Pressure center	0.99 [0.47]	0.29 [0.38]	0.24 [0.12]	0.72	0.38	0.18				



Note 1) []: Denotes normal position.

Note 2) (): Without sub-plate.

Note 3) 5 port base mounted without sub-plate: SYJA5□40

