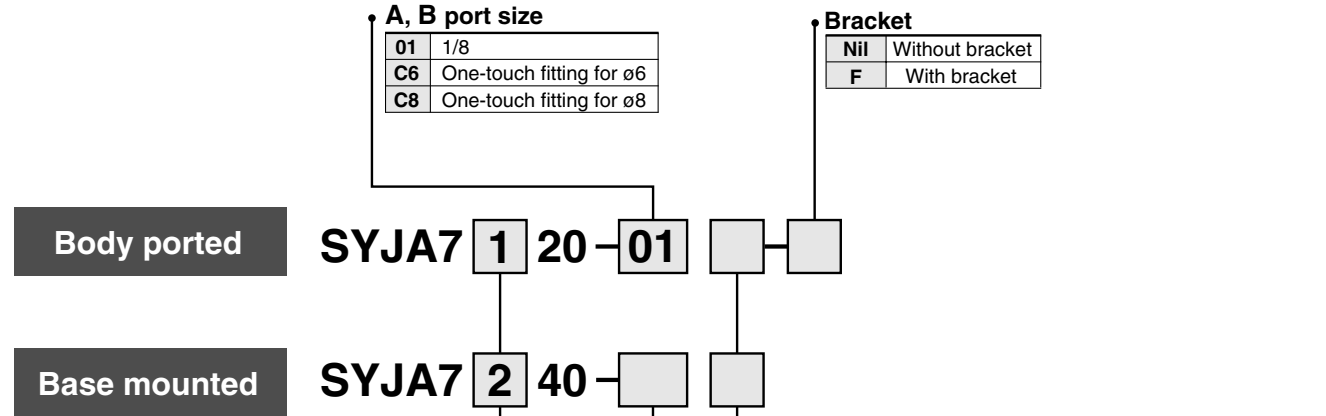


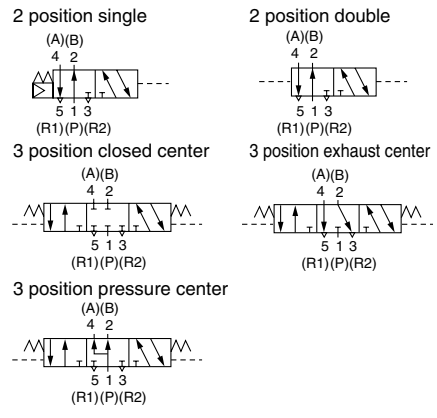
# 4/5 Port Air Operated Valve Series SYJA7000

## How to Order

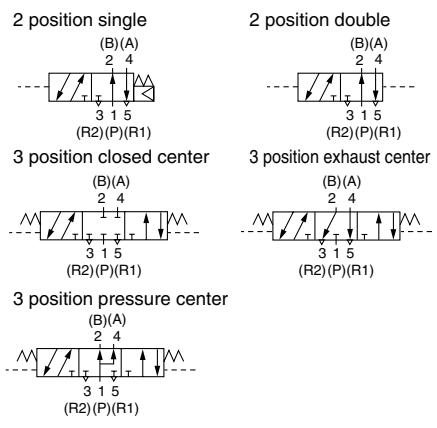


- S□A
- V□A
- S□A
- V□A
- VM
- VR
- VH
- VHS

### JIS Symbol Body ported



### Base mounted



## How to Order Manifold Base

Same manifolds as series SYJ7000 are prepared.

SS5YJA7 — Fill the same as SS5YJ7.

Instruct by specifying the valves and blanking plate assembly to be mounted on the manifold along with the manifold base model no.

(Example)  
 SS5YJA7-41-03-01 ..... 1 pc.  
 \* SYJA7140..... 1 pc.  
 \* SYJA7240..... 1 pc.  
 \* SYJ7000-21-1A..... 1 pc.

↳ The asterisk denotes the symbol for assembly. Prefix it to the part nos. of the solenoid valve, etc.

### ⚠ Caution

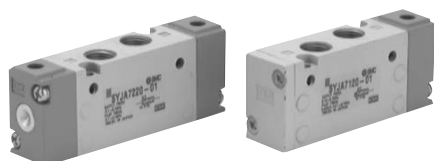
For Safety Instructions and Solenoid Valve Precautions, refer to pages 5-11-2 to 5-11-6.

# Series SYJA7000

## Specifications



Base mounted



Body ported

Fluid		Air
Operating pressure range MPa	2 position single	0.15 to 0.7
	2 position double	0.1 to 0.7
	3 position	0.15 to 0.7
Pilot pressure range MPa <sup>Note 1)</sup>	2 position single	(0.4 x P+0.1) to 0.7 P: Operating pressure
	2 position double	0.1 to 0.7
	3 position	0.15 to 0.7
Ambient and fluid temperature °C		-10 to 50 (No freezing. Refer to page 5-11-4.)
Lubrication		Not required
Mounting orientation		Unrestricted
Impact/Vibration resistance (m/s <sup>2</sup> ) <sup>Note 2)</sup>		300/50

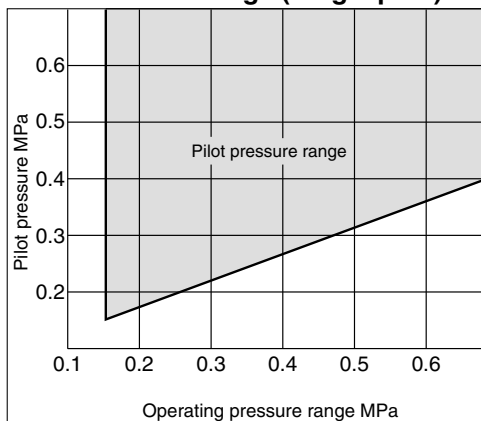


Note 1) In the case of single type, be certain that pressure within operating pressure range be supplied to supply port, because return pressure is introduced from supply port {1(P)} for activation.

Note 2) Impact resistance: No malfunction resulted from the impact test using a drop impact tester. The test was performed on the axis and right angle directions of the main valve, when pilot signal is ON and OFF. (Value in the initial state)

Vibration resistance: No malfunction occurred in one sweep test between 45 and 2000 Hz. Test was performed to axis and right angle directions of the main valve when pilot signal is ON and OFF. (Value in the initial state)

### Pilot Pressure Range (Single pilot)



### With Bracket

Air operated valve type	SYJA7120-01-F
-------------------------	---------------

As a bracket is designed for a body, be sure that a bracket is attached when ordering and operating.

# 4/5 Port Air Operated Valve Series SYJA7000

## Flow Characteristics/Weight

Valve model		Type of actuation		Port size		Flow characteristics <small>Note 2)</small>						Pilot port size	<small>Note 3)</small> Weight (g)						
						1 → 4/2 (P → A/B)			4/2 → 5/3 (A/B → EA/EB)										
						C [dm <sup>3</sup> /(s·bar)]	b	Cv	C [dm <sup>3</sup> /(s·bar)]	b	Cv								
Body ported	SYJA7□20-01	2 position	Single	1/8	1/8	2.2	0.36	0.58	2.4	0.34	0.63	M5 x 0.8	90						
			Double										110						
		3 position	Closed center										1.8	0.37	0.45	2.0	0.35	0.49	120
			Exhaust center										1.2	0.50	0.34	3.0 [1.3]	0.35 [0.52]	0.73 [0.39]	
			Pressure center										3.0 [0.83]	0.37 [0.50]	0.78 [0.25]	1.8	0.37	0.45	
	SYJA7□20-C6	2 position	Single	A, B port: C6 (One-touch fitting for ø6) P, R port: 1/8	1/8	1.6	0.33	0.4	2.2	0.32	0.53		101						
			Double										121						
		3 position	Closed center										1.4	0.27	0.35	1.9	0.33	0.49	131
			Exhaust center										1.1	0.37	0.27	2.5 [1.3]	0.32 [0.54]	0.61 [0.38]	
			Pressure center										1.8 [0.78]	0.36 [0.40]	0.45 [0.22]	1.6	0.30	0.39	
SYJA7□20-C8	2 position	Single	A, B port: C8 (One-touch fitting for ø8) P, R port: 1/8	1/8	2.0	0.39	0.52	2.3	0.34	0.61	101								
		Double									121								
	3 position	Closed center									1.7	0.35	0.42	2.0	0.29	0.49	131		
		Exhaust center									1.2	0.38	0.33	2.6 [1.3]	0.35 [0.49]	0.67 [0.38]			
		Pressure center									1.9 [0.86]	0.57 [0.46]	0.59 [0.25]	1.7	0.39	0.42			
Base mounted (With sub-plate)	SYJA7□40-01	2 position	Single	1/8 <small>Note 1)</small>	1/8	2.3	0.45	0.57	2.8	0.37	0.71	M5 x 0.8	170 (90)						
			Double										190 (110)						
		3 position	Closed center										1.9	0.36	0.48	2.1	0.46	0.57	200 (120)
			Exhaust center										1.2	0.48	0.35	3.4 [1.3]	0.36 [0.57]	0.86 [0.41]	
			Pressure center										3.3 [0.85]	0.43 [0.54]	0.78 [0.25]	2.1	0.45	0.56	
	SYJA7□40-02	2 position	Single	1/4 <small>Note 1)</small>	1/4	2.3	0.41	0.61	2.9	0.35	0.74		170 (90)						
			Double										190 (110)						
		3 position	Closed center										1.9	0.46	0.50	2.2	0.44	0.60	200 (120)
			Exhaust center										1.3	0.45	0.35	3.7 [1.4]	0.27 [0.56]	0.87 [0.43]	
			Pressure center										3.6 [0.83]	0.23 [0.55]	0.84 [0.25]	2.1	0.47	0.58	



Note 1) P, A, B Port: Rc1/8 is R1, R2 port: Rc (PT) 1/4

Note 2) [ ]: Denotes normal position

Note 3) ( ): Without sub-plate

Note 4) 5 port base mounted without sub-plate: SYJA□40

S□A

V□A

S□A

V□A

VM

VR

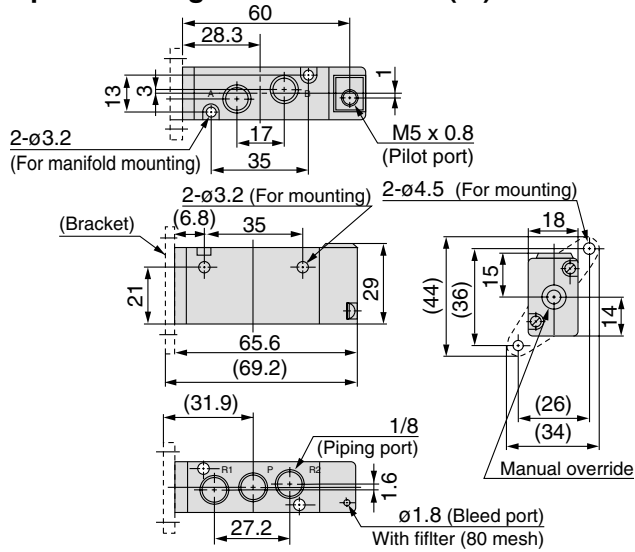
VH

VHS

# Series SYJA7000

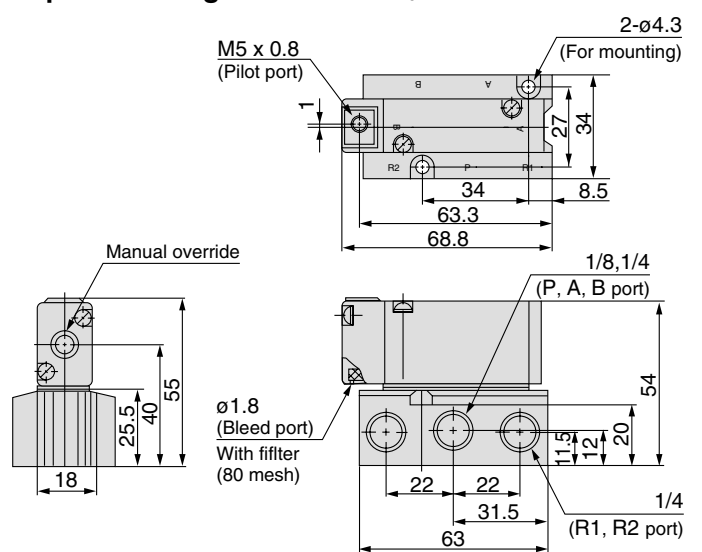
## Dimensions: Body Ported

### 2 position single: SYJA7120-01□(-F)

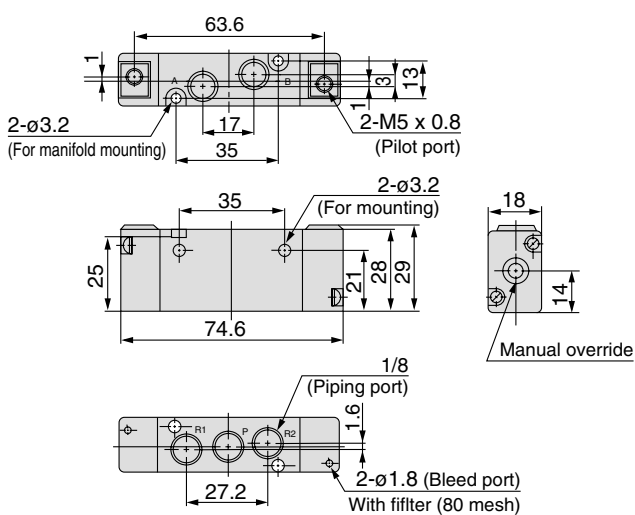


## Dimensions: Base Mounted

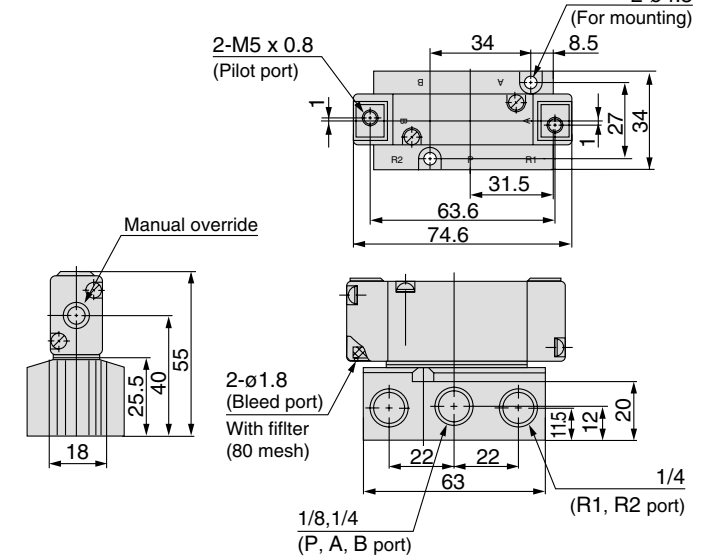
### 2 position single: SYJA7140-01□



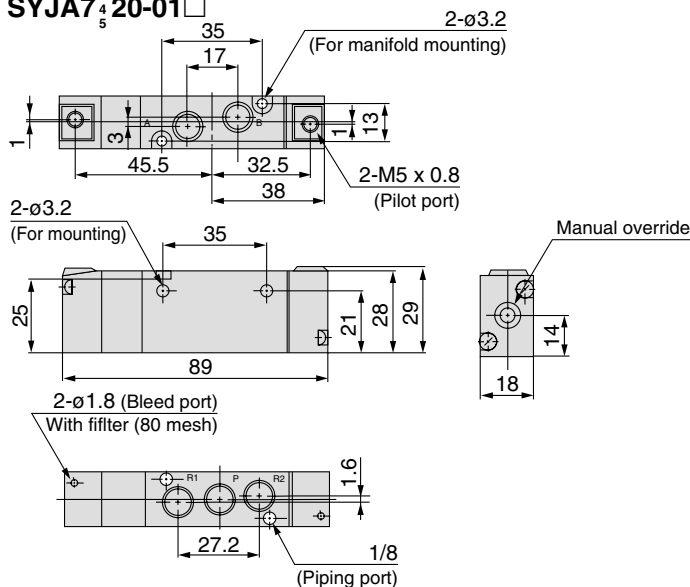
### 2 position double: SYJA7220-01□



### 2 position double: SYJA7240-01□



### 3 position closed center/exhaust center/pressure center SYJA7<sup>3</sup>/<sub>5</sub>20-01□



### 3 position closed center/exhaust center/pressure center SYJA7<sup>3</sup>/<sub>5</sub>40-01□

