

Series SYJ7000

How to Order

Configuration

1	2 position single solenoid
2	2 position double solenoid
3	3 position closed center
4	3 position exhaust center
5	3 position pressure center

Light and surge voltage suppressor

—	Without light and surge suppressor
S	With surge suppressor
Z	With light and surge suppressor
R	With surge suppressor (Non-polar)
U	With light and surge suppressor (Non-polar)

*For AC voltage valves "S" option is not available. It is already built into the rectifier circuit.
* "R" and "U" types are available for DC voltage valves.

Rated voltage

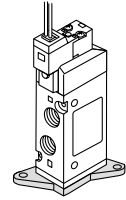
For DC		For AC (50/60Hz)	
5	24V DC	1	100V AC
6	12V DC	2	200V AC
V	6V DC	3	110V AC[115V AC]
S	5V DC	4	220V AC[230V AC]
R	3V DC		

A/B port size

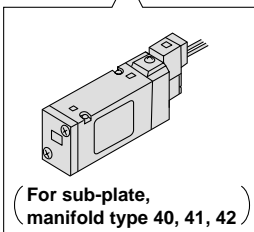
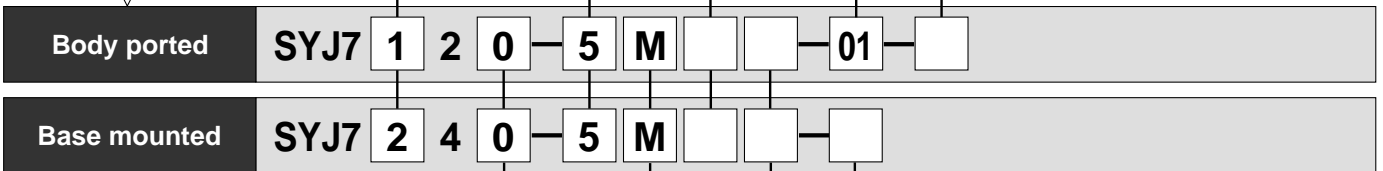
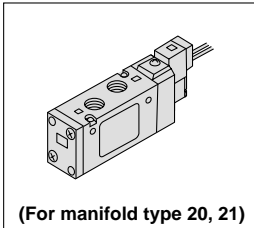
01	Rc(PT)1/8
C6	ø6 One-touch fitting
C8	ø8 One-touch fitting

Bracket

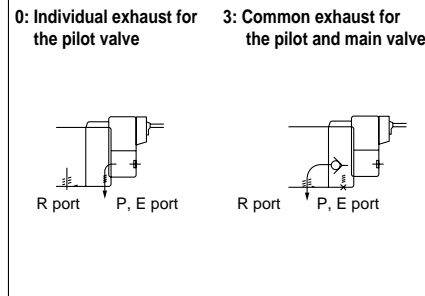
—: Without bracket
F: With bracket



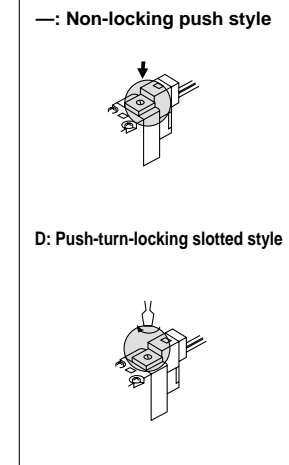
Note) Do not remove the factory installed bracket from models with the bracket option. Removal of the bracket will cause the valve to leak.



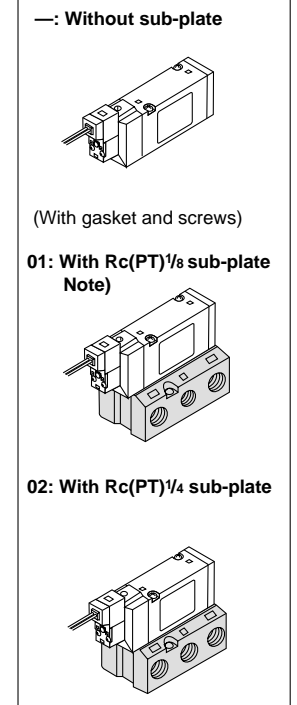
Body option



Manual override



Port size



Note) R1 and R2 port size Rc(PT)1/4

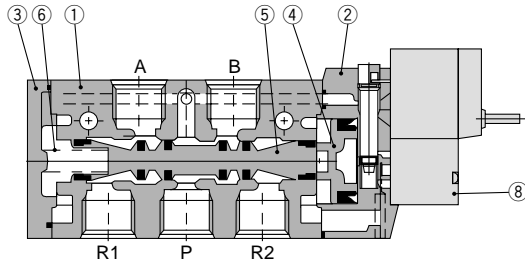
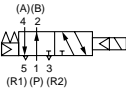
Electrical entry

24V, 12V, 6V, 5V, 3V DC/100V, 110V, 200V, 220V AC			
Grommet	L plug connector	M plug connector	
G: 300mm lead wire	L: 300mm lead wire	M: 300mm lead wire	MN: Without lead wire
H: 600mm lead wire	LN: Without lead wire	LO: Without connector	MO: Without connector

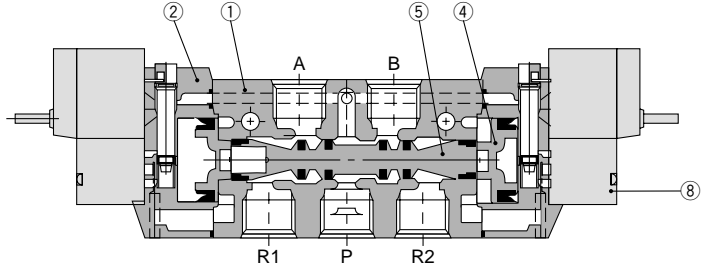
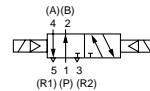
*LN and MN types are with 2 pcs. of socket.

Construction

2 position single

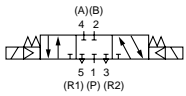


2 position double

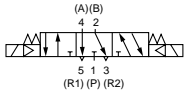


3 position closed center/exhaust center/pressure center

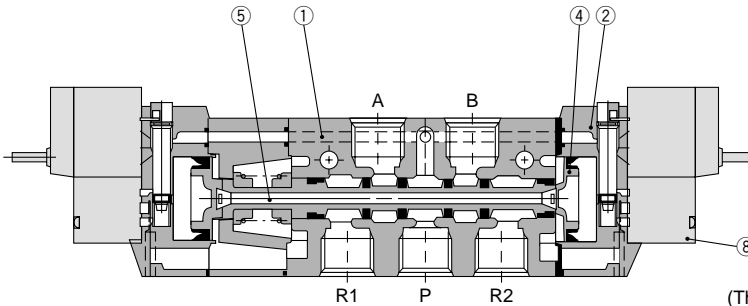
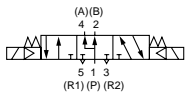
3 position closed center



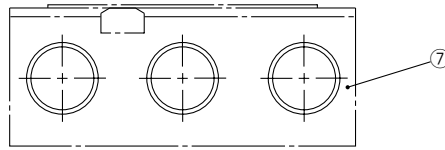
3 position exhaust center



3 position pressure center



(This construction shows a closed center.)



Component Parts

No.	Description	Material	Note
①	Body	Aluminum die cast	white
②	Piston plate	Resin	white
③	End cover	Aluminum die cast	white
④	Piston	Resin	—
⑤	Spool ass'y	—	—
⑥	Spool spring	SUS	—

Replacement Parts

No.	Description	Parts No.	Note
⑦	Sub-plate	SYJ7000-22-1	Rc1/8 Aluminum die cast
		SYJ7000-22-2	Rc1/4 Aluminum die cast
⑧	Pilot valve	SY114-□□□	—

How to Order Pilot Valve Assembly

SY114 — **5** **G** □

Voltage

5	24V DC
6	12V DC
V	6V DC
S	5V DC
R	3V DC
1	100V AC50/60Hz
2	200V AC50/60Hz
3	110V AC50/60Hz [115V AC50/60Hz]
4	220V AC50/60Hz [230V AC50/60Hz]

Electrical entry

G	Grommet (Lead wire length: 300mm)
H	Grommet (Lead wire length: 600mm)
L	L plug connector
LN	LN plug connector
LO	LO plug connector
M	M plug connector
MN	MN plug connector
MO	MO plug connector

Light and surge voltage suppressor

—	Without light and surge suppressor
S	With surge suppressor
Z	With light and surge suppressor
R	With surge suppressor (Non-polar)
U	With light and surge suppressor (Non-polar)

*For AC voltage valves "S" option is not available. It is already built into the rectifier circuit.
*“R” and “U” options are available for DC voltage valves only.

How to Order Connector Assembly

DC: : SY100-30-4A-□
 100V AC: : SY100-30-1A-□
 200V AC: : SY100-30-2A-□
 Other AC voltages: SY100-30-3A-□
 Without lead wire (with connector and: SY100-30A
 2 pcs. of socket)

Lead wire length

—	300mm
6	600mm
10	1000mm
15	1500mm
20	2000mm
25	2500mm
30	3000mm
50	5000mm

SY

SYJ

SX

VK

VZ

VF

VFR

VP7

VP4

VQ

VQ4

VQZ

VQD

VZS

VFS

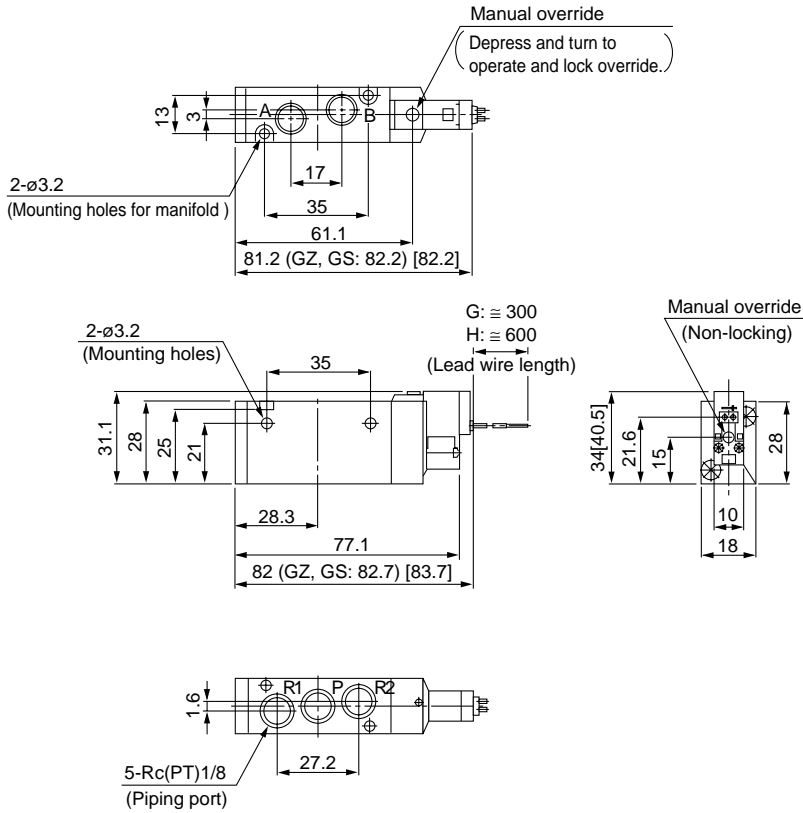
VS

VS7

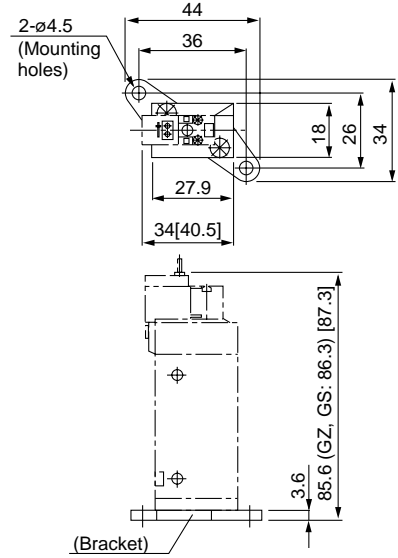
Series SYJ7000

2 Position Single

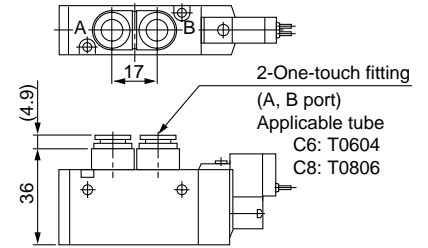
Grommet (G), (H): SYJ7120-□^G□□□-01



With bracket



Built-in One-touch fitting:
SYJ7120-□^G□□□-C₆
C₈

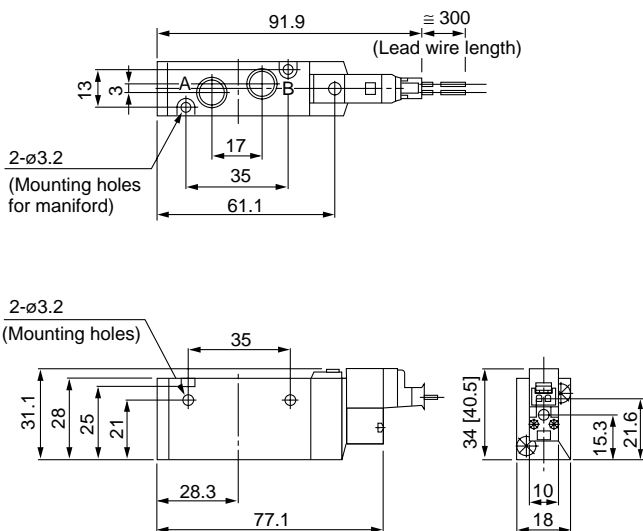


* [] for AC
* Other dimensions are the same as the grommet style.

* [] For AC

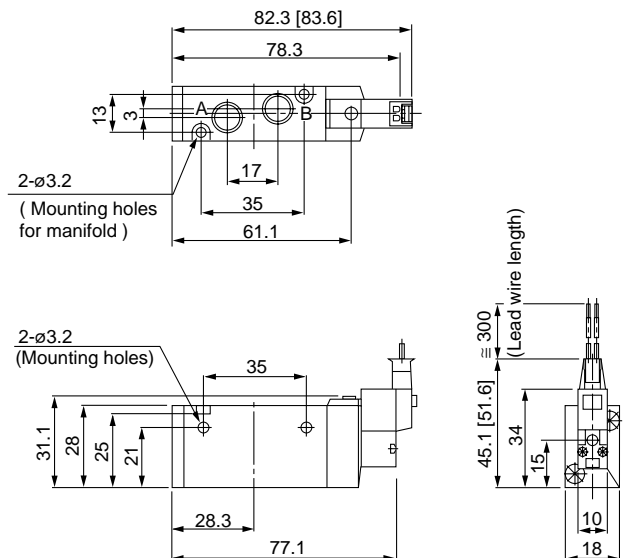
* [] for AC
* Other dimensions are the same as the grommet style.

L plug connector(L): SYJ7120-□L□□□-01



* [] for AC
* Other dimensions are the same as the grommet style.

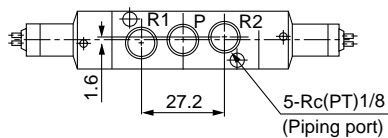
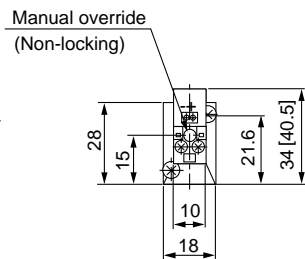
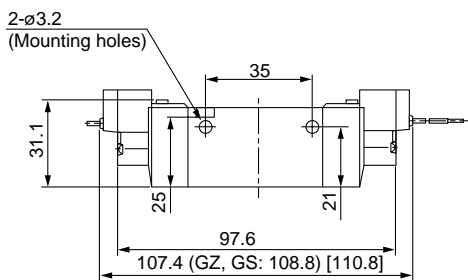
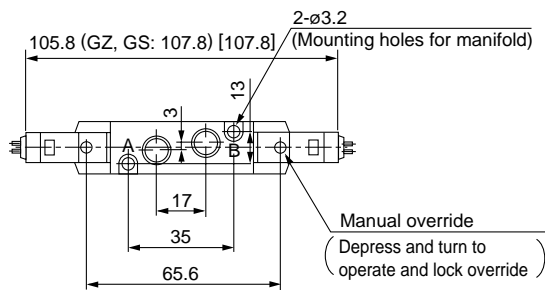
M plug connector (M): SYJ7120-□M□□□-01



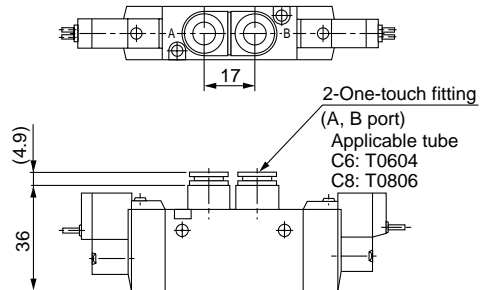
* [] for AC
* Other dimensions are the same as the grommet style.

2 Position Double

Grommet (G), (H): SYJ7220-□^G□□-01



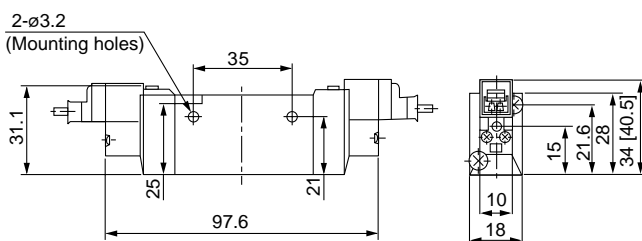
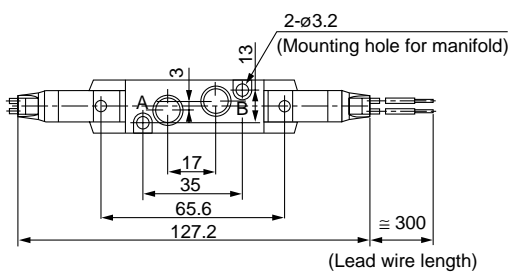
Built-in One-touch fitting SYJ7220-□^G□□-^{C6}_{C8}



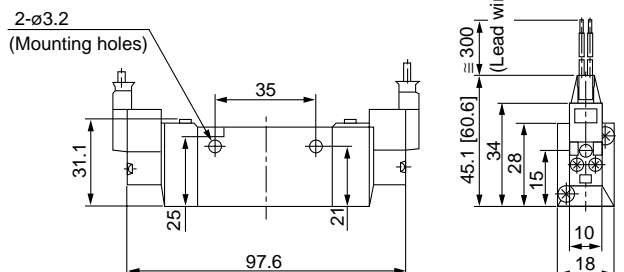
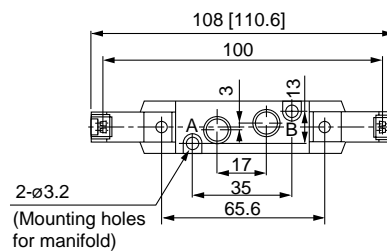
- SY
- SYJ**
- SX
- VK
- VZ
- VF
- VFR
- VP7
- VP4

* [] for AC

L plug connector(L): SYJ7220-□L□□-01



M plug connector (M): SYJ7220- □M□□-01



- VQ
- VQ4
- VQZ
- VQD
- VZS
- VFS
- VS
- VS7

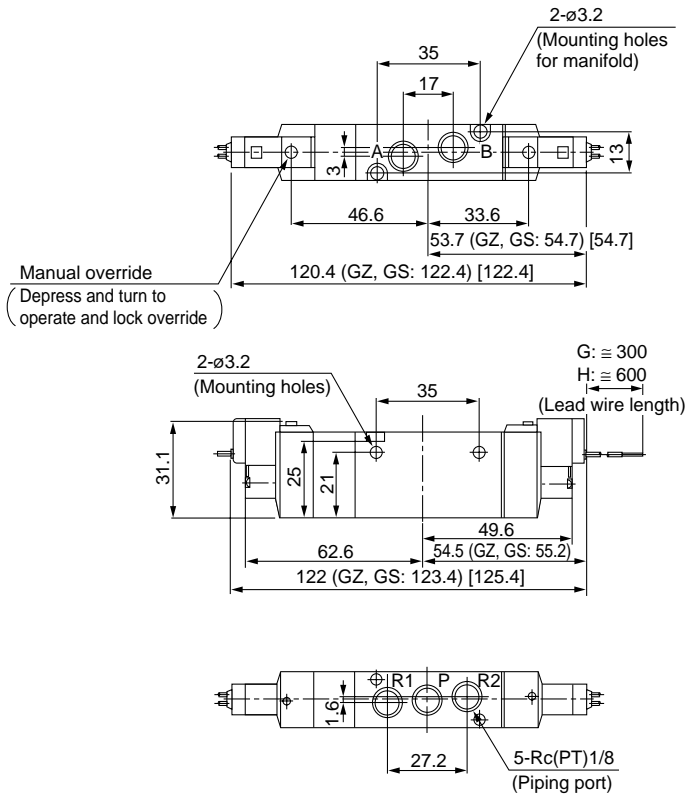
* [] for AC
* Other dimensions are the same as the grommet style.

* [] for AC
* Other dimensions are the same as the grommet style.

Series SYJ7000

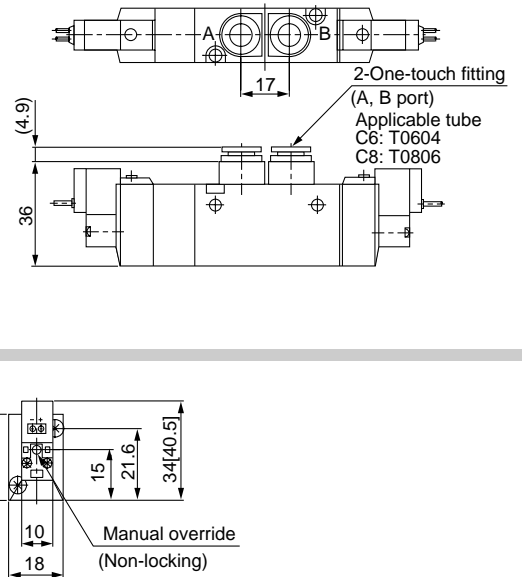
3 Position Closed Center/Exhaust Center/Pressure Center

Grommet (G), (H): SYJ7³/₅20-□^G/_H□□-01



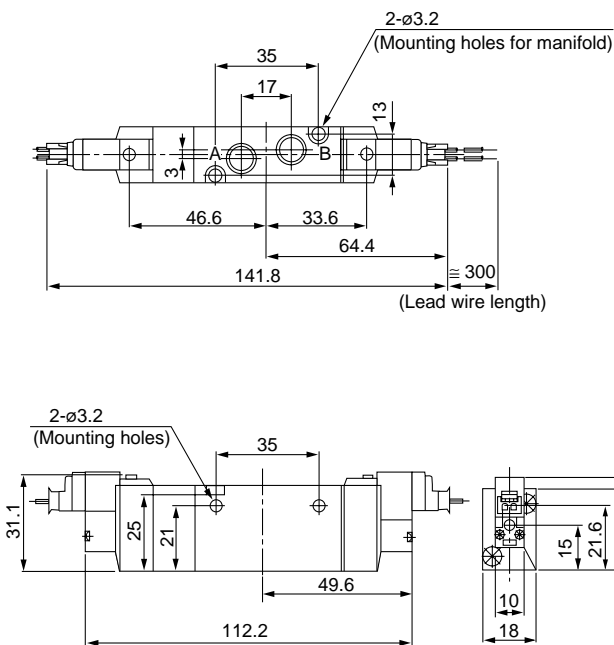
Built-in One-touch fitting:

SYJ7³/₅20-□^G/_H-□□^{C6}/_{C8}

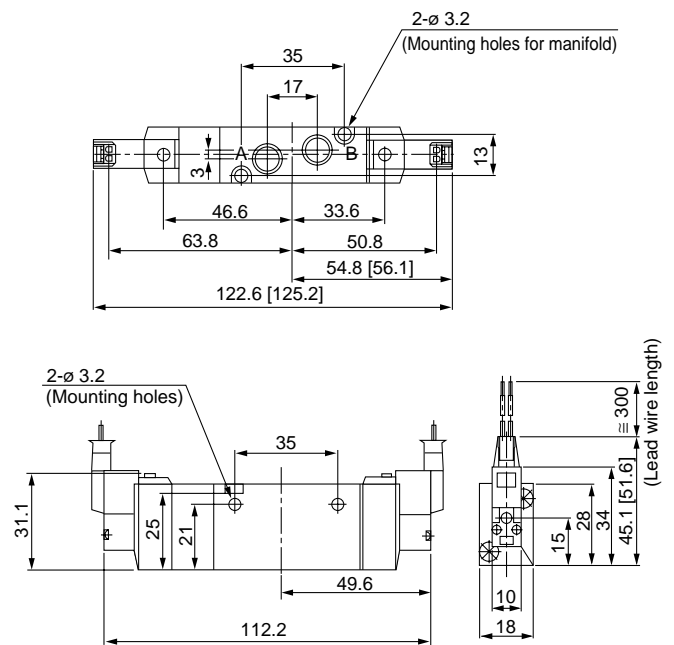


* [] for AC

L plug connector (L): SYJ7³/₅20-ILII-01



M plug connector (M): SYJ7³/₅20-□M□□-01



* [] for AC

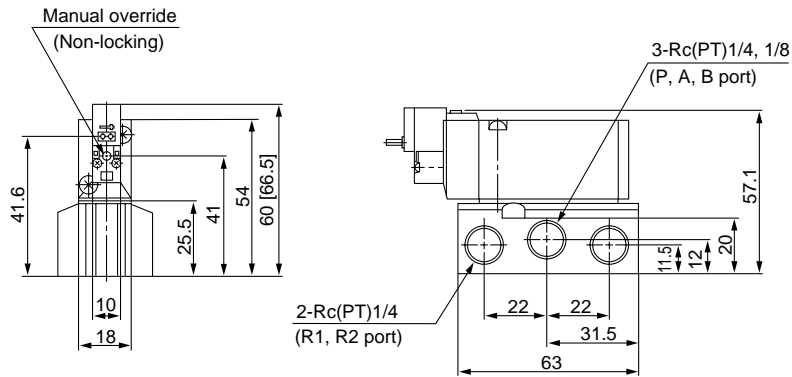
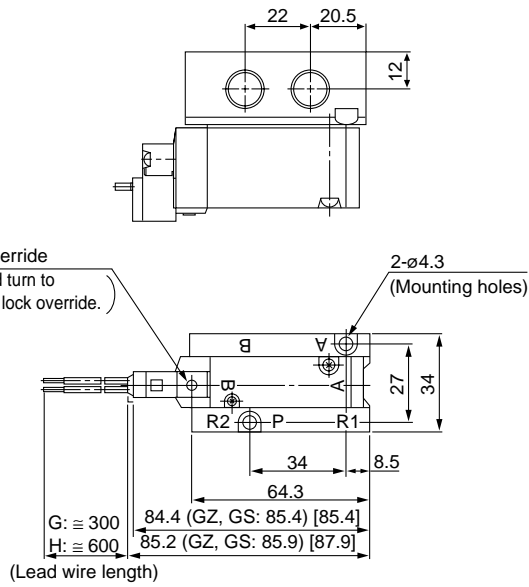
* Other dimensions are the same as the grommet style.

* [] for AC

* Other dimensions are the same as the grommet style.

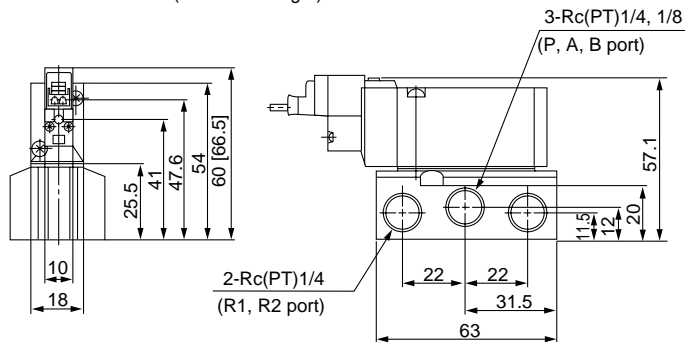
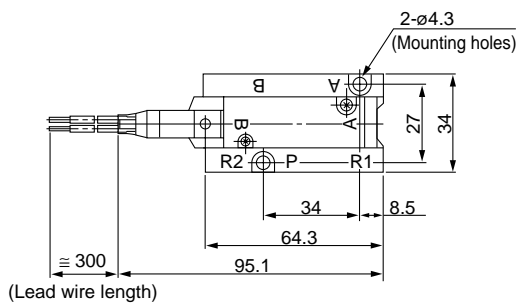
2 Position Single

Grommet (G), (H): SYJ7140-□^G□□□-01/02



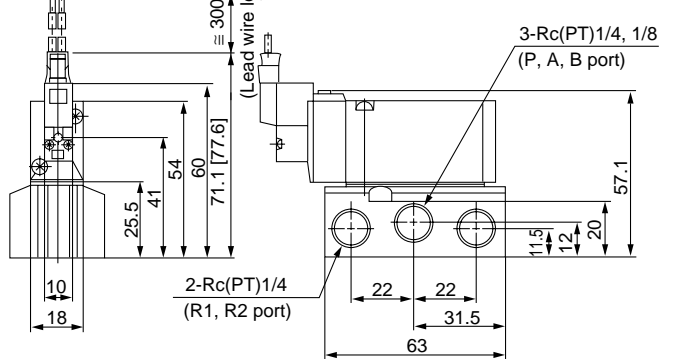
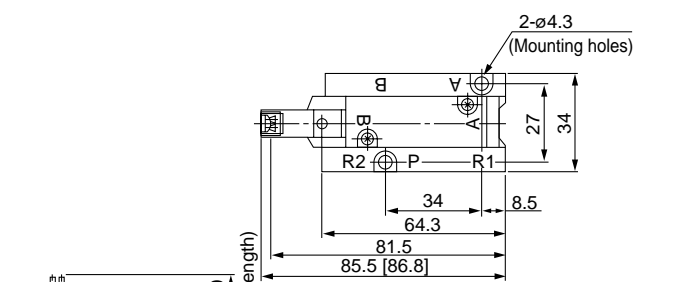
* [] for AC

L plug connector (L): SYJ7140-□□□□-01/02



* [] for AC
* Other dimensions are the same as the grommet style.

M plug connector (M): SYJ7140-□M□□□-01/02



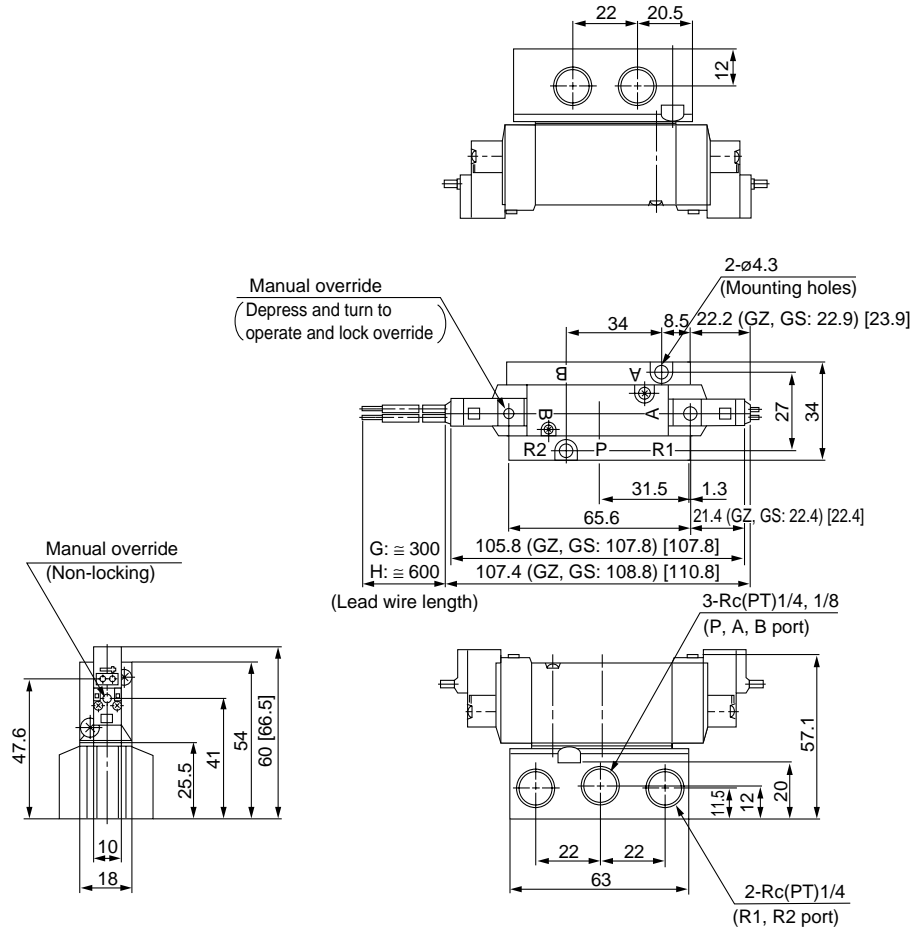
* [] for AC
* Other dimensions are the same as the grommet style.

- SY
- SYJ
- SX
- VK
- VZ
- VF
- VFR
- VP7
- VP4
- VQ
- VQ4
- VQZ
- VQD
- VZS
- VFS
- VS
- VS7

Series SYJ7000

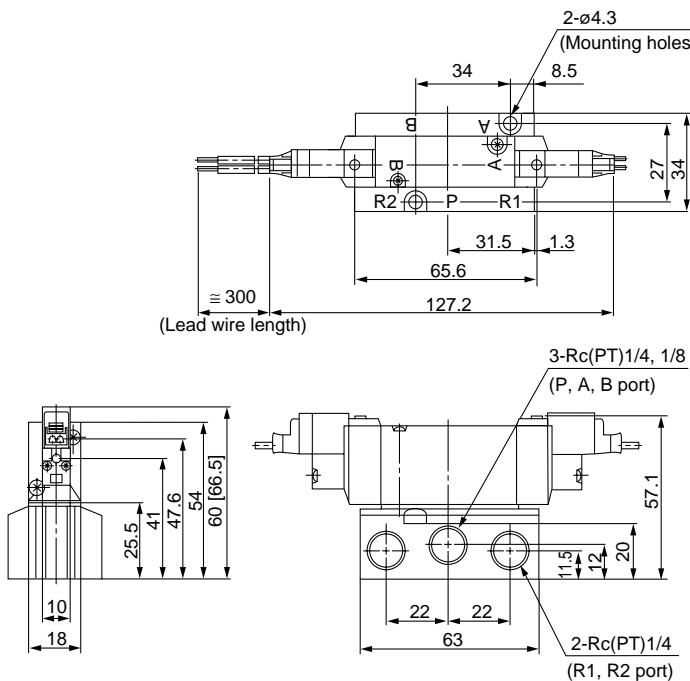
2 Position Double

Grommet (G), (H): SYJ7240-□^G□□-01
□□_H□□-02



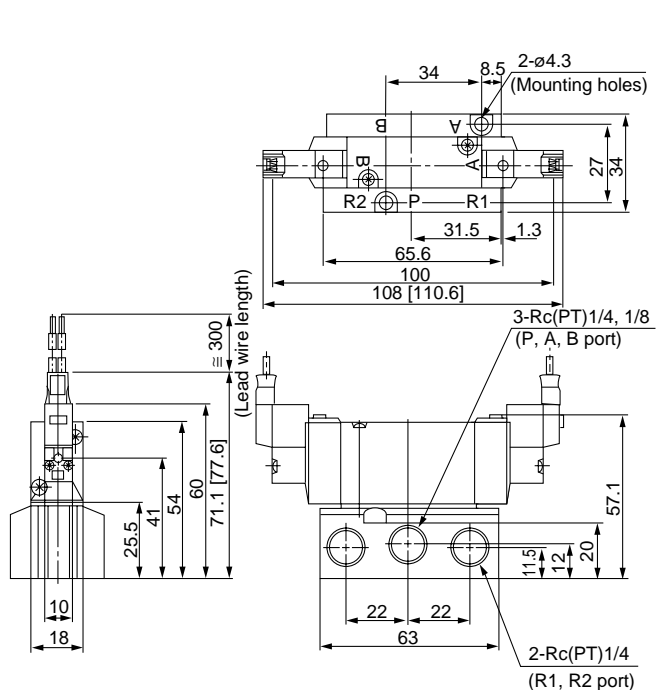
* [] for AC

L plug connector (L): SYJ7240-□L□□-01
□□



* [] for AC
* Other dimensions are the same as the grommet style.

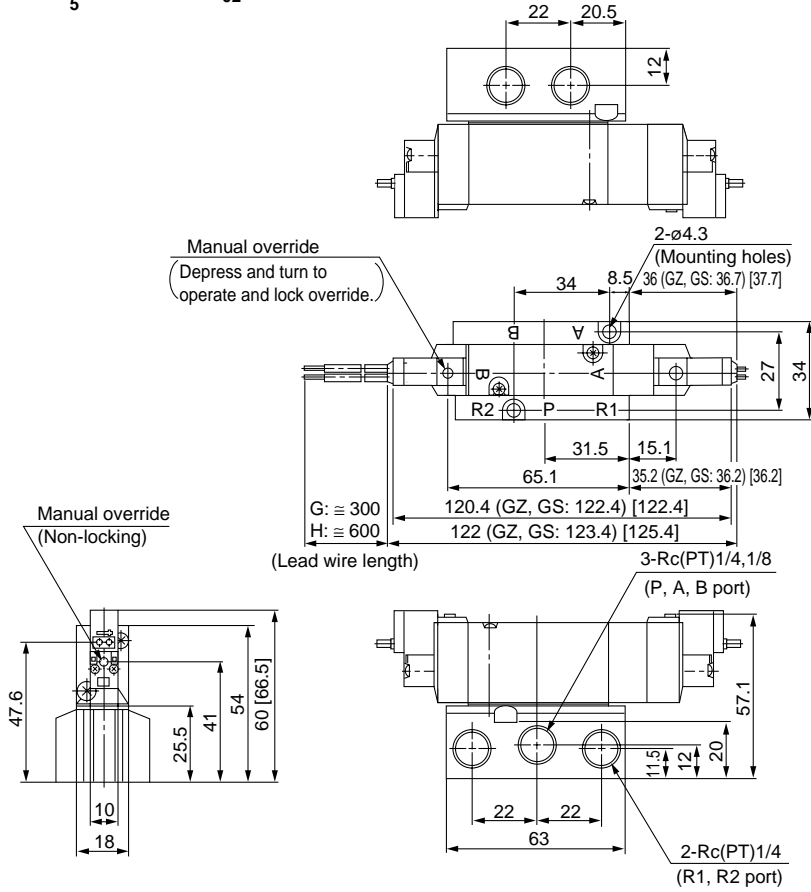
M plug connector (M): SYJ7240-□M□□-01
□□



* [] for AC
* Other dimensions are the same as the grommet style.

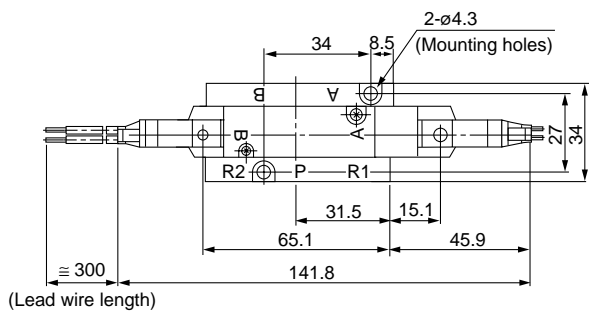
3 Position Closed Center/Exhaust Center/Pressure Center

Grommet(G), (H): SYJ7³/₅40-□^G□□-0¹/₂

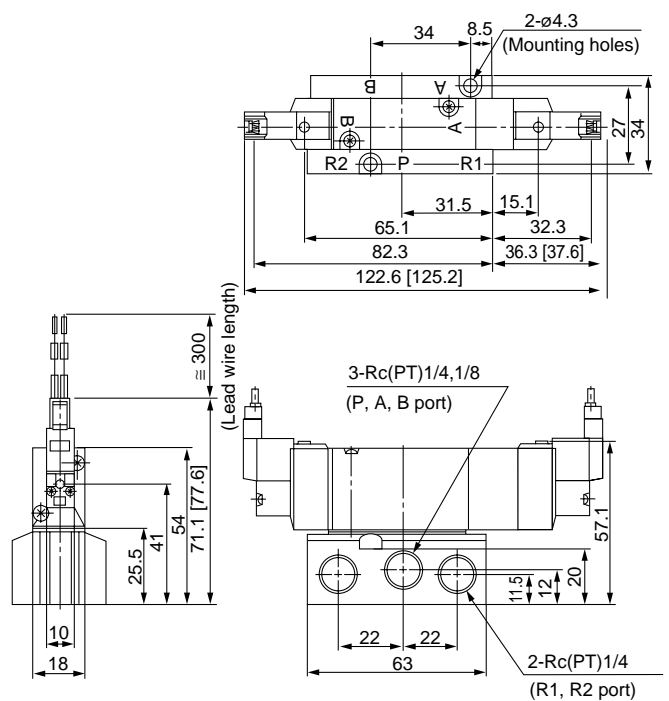


* [] for AC

L plug connector (L): SYJ7³/₅40-□L□□-0¹/₂



M plug connector (M): SYJ7³/₅40-□M□□-0¹/₂



* [] for AC

* Other dimensions are the same as the grommet style.



* [] for AC

* Other dimensions are the same as the grommet style.

SY

SYJ

SX

VK

VZ

VF

VFR

VP7

VP4

VQ

VQ4

VQZ

VQD

VZS

VFS

VS

VS7