

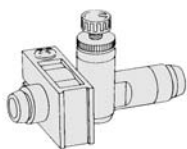
Holder for Speed Controller Series *TMH*

A holder for securing a speed controller (In-line type) with One-touch fitting.

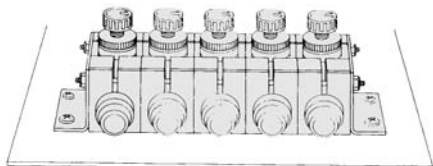
Universal mounting



The holder can be used to secure an individual part.



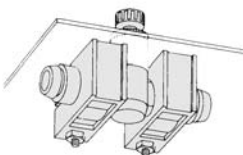
Adaptable for the manifold application. Note 1)



Note 1) Mounting bracket is not available. This is an application example.

Note 2) When using a manifold, because of the cumulative absorption of dimensional variation, please use long holes for the bracket mounting holes on one side.

Can be mounted on the panel.



Specifications

Ambient temperature	-20 to 60°C
Material	Polypropylene
Color	White

Accessory: Round head Phillips screw for mounting (nickel plated)

Model		Size (Nominal x Height)	Piece
Metric size	Inch size		
TMH-23J	TMH-01J	M3 x 15	1
TMH-04J	TMH-03J		
TMH-06J	TMH-05	M3 x 20	
	TMH-07J		
TMH-06	TMH-07	M4 x 25	
TMH-08	TMH-09		
TMH-10	TMH-11	M4 x 35	
TMH-12	TMH-13		

Series

Select the applicable holder/TMH for each speed controller from the table below.

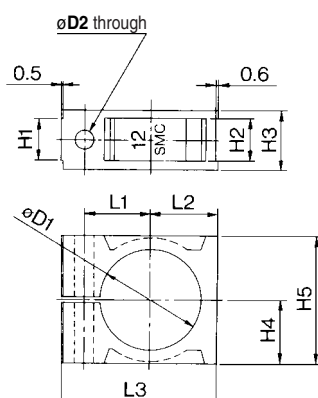
Metric Size

Applicable series	Applicable tubing size	Applicable tubing					
		23 ø3.2	04 ø4	06 ø6	08 ø8	10 ø10	12 ø12
AS1001F	TMH-23J		TMH-04J	TMH-06J			
AS2001F							
AS2051F				TMH-06	TMH-08		
AS3001F						TMH-10	TMH-12
AS4001F							

Inch Size

Applicable series	Applicable tubing size	Applicable tubing						
		01 ø1/8"	03 ø5/32"	05 ø3/16"	07 ø1/4"	09 ø5/16"	11 ø3/8"	13 ø1/2"
AS1001F	TMH-01J				TMH-07J			
AS2001F			TMH-03J	TMH-05				
AS2051F					TMH-07			
AS3001F						TMH-09		
AS4001F							TMH-11	TMH-13

Dimensions



Model		øD1	øD2	H1	H2	H3	H4	H5	L1	L2	L3	Symbol
Metric size	Inch size											
TMH-23J	TMH-01J	8.5	3.3	4.5	4.6	7.5	6	12	7.2	6.6	18	1/8J
TMH-04J	TMH-03J	9.4										4 5/32J
—	TMH-05	11.7										3/16
TMH-06J	—	11.7	3.3	6.3	6.4	9.3	7.7	15.4	8.5	8.3	21	6J
—	TMH-07J	12.1										1/4J
TMH-06	—	13.1										6
—	TMH-07	13.5	4.3	7.1	7.2	11.1	10	20	11	10.6	26.5	1/4
TMH-08	TMH-09	15.5										8 5/16
TMH-10	—	18.8										10
—	TMH-11	18.2	4.3	9.5	9.6	13.5	14	28	14.2	14.6	34	3/8
TMH-12	—	21.2										12
—	TMH-13	22										1/2

AS
ASP
ASN
AQ
ASV
AK
VCHC
ASS
ASR
ASQ
KE
TMH

Holder for Speed Controller

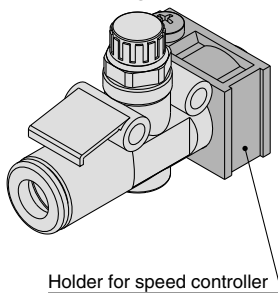
Series *TMH*

A holder for securing a speed controller with one-touch fittings (In-line type)

Possible to hold a single controller.



● Holder mounting



Holder for speed controller

Specifications

Ambient temperature	-20 to 60°C
Material	Polypropylene
Color	White

Accessory: Cross Recessed Round Head Screw for Mounting (Zinc chromated)

Model		Size (Nominal x Length)	Piece
Metric size	Inch size		
TMH-23J	TMH-01J	M3 x 15	1
TMH-04J	TMH-03J	M3 x 20	
TMH-06J	TMH-07J	M4 x 25	
TMH-06	TMH-07	M4 x 25	
TMH-08	TMH-09	M4 x 25	
TMH-10	—	M4 x 35	
TMH-12	TMH-13	M4 x 35	

Series

Select the applicable holder/TMH for each speed controller from the below table.

Metric Size

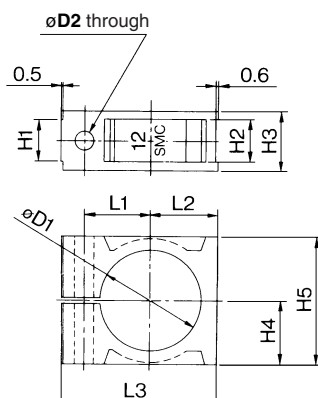
Applicable series	Tube size	Applicable tube					
	23 ø3.2	04 ø4	06 ø6	08 ø8	10 ø10	12 ø12	
AS1002F	TMH-23J	TMH-04J	TMH-06J				
AS2002F							
AS2052F			TMH-06	TMH-08			
AS3002F			TMH-07				
AS4002F					TMH-10	TMH-12 TMH-13	

Note) The applicable TMH for AS1002F-02 is not available.

Inch Size

Applicable series	Tube size	Applicable tube					
	01 ø1/8"	03 ø5/32"	07 ø1/4"	09 ø5/16"	11 ø3/8"	13 ø1/2"	
AS1002F	TMH-01J	TMH-03J	TMH-07J				
AS2002F							
AS2052F							
AS3002F			TMH-07	TMH-09			
AS4002F						TMH-10	TMH-13

Dimensions



Model		øD1	øD2	H1	H2	H3	H4	H5	L1	L2	L3	Symbol
Metric size	Inch size											
TMH-23J	TMH-01J	8.5	3.3	4.5	4.6	7.5	6	12	7.2	6.6	18	1/8J
TMH-04J	TMH-03J	9.4										4 5/32J
TMH-06J	—	11.7	3.3	6.3	6.4	9.3	7.7	15.4	8.5	8.3	21	6J
—	TMH-07J	12.1										1/4J
TMH-06	—	13.1	4.3	7.1	7.2	11.1	10	20	11	10.6	26.5	6
—	TMH-07	13.5										1/4
TMH-08	TMH-09	15.5	4.3	9.5	9.6	13.5	14	28	14.2	14.6	34	8 5/16
TMH-10	—	18.8										10
TMH-12	—	21.2	4.3	9.5	9.6	13.5	14	28	14.2	14.6	34	12
—	TMH-13	22										1/2

Related Products: Multi-tube Holder Series *TM*

- Easy arrangement of tubing
Easy tube insertion and firm fixation
- Possible to separate options depending on number of connection tubes
- Use of flame resistant resin (Equivalent to UL-94 standard V-0)



Applicable Tubing

Tubing material	Nylon, Soft nylon, Polyurethane
Tubing O.D.	ø4, ø6, ø8, ø10, ø12

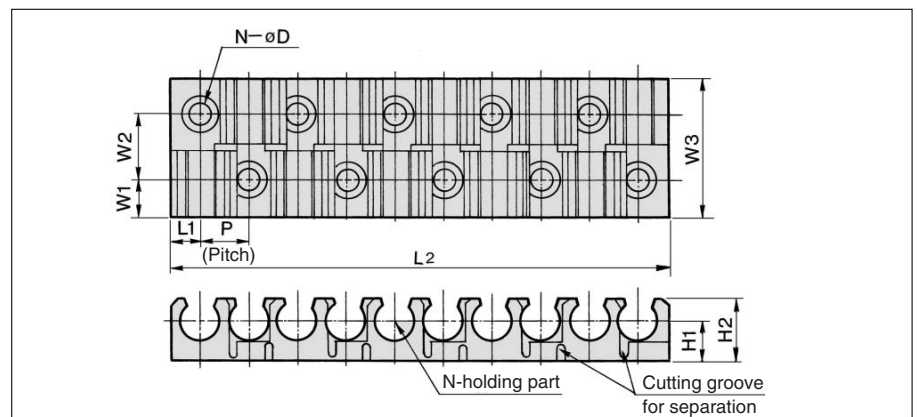
Model

Applicable tubing O.D. (inch)	Model	No. of connecting tubes (Max.)		
		6	8	12
4	TM-04			●
6	TM-06			●
8	TM-08		●	
10	TM-10	●		
12	TM-12	●		

Specifications

Ambient temperature	-20 to 60°C		
Material	Flame resistant polypropylene (Equivalent to UL-94 standard V-0)		
Color	Black		
Accessory	For mounting Cross recessed head countersunk tapping screw (Black zinc chromated)		
	Model	Size (Nominal x Length)	No. of tubings
	TM-04	2 x 6	4
	TM-06	2.6 x 8	
	TM-08	2.6 x 8	
	TM-10	3 x 8	
TM-12	3 x 8		

Dimensions: Multi-tube Holder



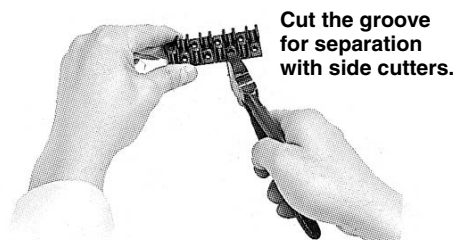
Applicable tubing O.D. (mm)	Model	N (No. of holding parts)	P	L ₁	L ₂	W ₁	W ₂	W ₃	H ₁	H ₂	øD	Mounting screw (Nominal x Length)
4	TM-04	12	6	3.25	72.5	4.5	8	17	5	7.5	2.2	2 x 6
6	TM-06	12	7.5	4.5	91.5	5.5	10	21	6.5	10	2.8	2.6 x 8
8	TM-08	8	9.5	5.5	77.5	6	11	23	7.5	12	2.8	2.6 x 8
10	TM-10	6	12.5	7.5	77.5	6.5	12	25	8.8	14.3	3.2	3 x 8
12	TM-12	6	15	9	93	6.5	12	25	9.8	16.3	3.2	3 x 8

How to Use

⚠ Caution

1. Cut the multi-tube holder depending on number of tubes to be connected.

<Cutting method>



Cut the groove for separation with side cutters.

2. Install the multi-tube holder to the equipment with cross-recessed head, countersunk tapping screw.
3. Lay the tube across the gripper and push on the tube.
4. For removing the tubes, pull up the tubes from the gripper.

Related Products: Multi-holder Series *TMA*

- Can be used to secure the KE□ series exhaust valve with One-touch fitting.
- One-touch fitting can also be secured.
Union tee: KQT,
Elbow: KQL,
Straight: KQH
- Depending on the number of holders required, they can be separated as desired. (Align the cutter with the cutting groove and cut the holder.)



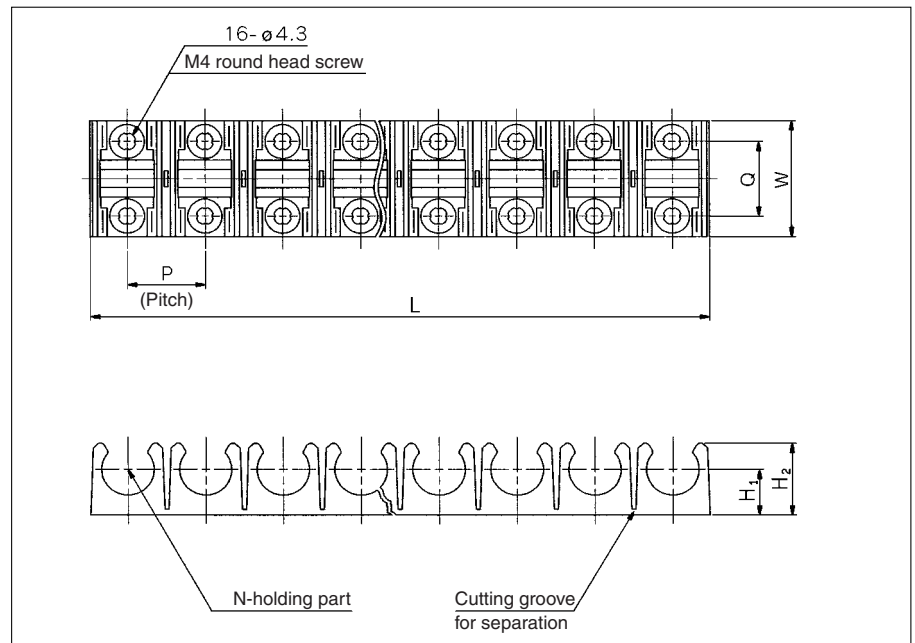
Specifications

Ambient temperature	-20 to 60°C
Material	Flame resistant polypropylene (Equivalent to UL-94 standard V-0)
Color	Black

Model

Model	Stations	Applicable exhaust valve	Applicable One-touch fitting		
			Union tee	Union elbow	Straight union
TMA-06	8	KEA06	KQT06-00	KQL06-00	KQH06-00
		KEB06			
TMA-08	8	KEA08	KQT08-00	KQL08-00	KQH08-00
		KEB08			
		KEC-02			
TMA-10	6	KEA10	KQT10-00	KQL10-00	KQH10-00
		KEB10			
TMA-12	6	KEA12	KQT12-00	KQL12-00	KQH12-00
		KEB12			
		KEC-03			

Dimensions: Multi-holder



Applicable tubing O.D. (mm)	Model	P	L	W	H ₁	H ₂	Q
6	TMA-06	19	151	28	11.4	17.9	18.6
8	TMA-08	21.7	172.5	31.8	12.6	20.3	18.6
10	TMA-10	25.4	151.2	35	15	24.3	22
12	TMA-12	28.1	167.3	37	16.2	26.7	22