

Series MB

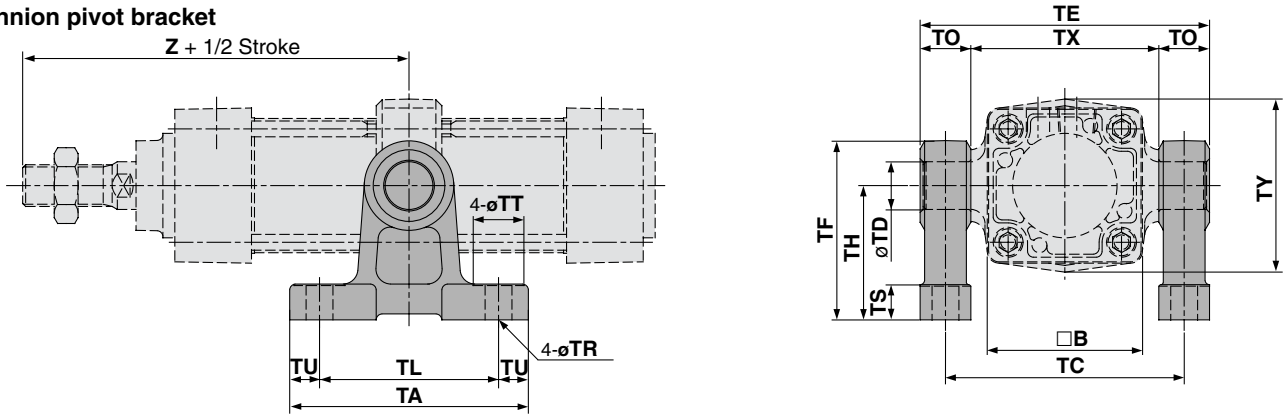
Trunnion/Double Clevis Pivot Bracket

Part No.

Cylinder model	MB□32	MB□40	MB□50	MB□63	MB□80	MB□100	MB□125
Description	MB-S03	MB-S04	MB-S04	MB-S06	MB-S06	MB-S10	MB-S12
Trunnion pivot bracket Note 1)	MB-S03	MB-S04	MB-S04	MB-S06	MB-S06	MB-S10	MB-S12
Double clevis pivot bracket	MB-B03	MB-B05	MB-B05	MB-B08	MB-B08	MB-B12	MB-B12

Note 1) When ordering a trunnion pivot bracket, order 2 pcs. for 1 cylinder.

Trunnion pivot bracket



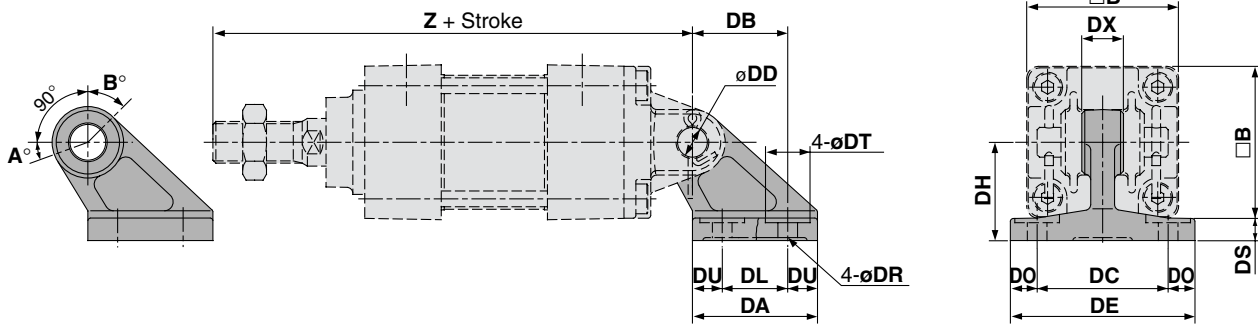
(mm)

Without Air Cushion

Part no.	Bore size (mm)	B	TA	TL	TU	TC	TX	TE	TO	TR	TT	TS	TH	TF	Z**	TDH10
MB-S03	32	46	62	45	8.5	62	50	74	12	7	13	10	35	47	89	12 ^{+0.070} ₀
MB-S04	40	52	80	60	10	80	63	97	17	9	17	12	45	60	93	16 ^{+0.070} ₀
	50	65	80	60	10	92	75	109	17	9	17	12	45	60	105	16 ^{+0.070} ₀
MB-S06	63	75	100	70	15	110	90	130	20	11	22	14	60	80	105	20 ^{+0.084} ₀
	80	95	100	70	15	130	110	150	20	11	22	14	60	80	129	20 ^{+0.084} ₀
MB-S10	100	114	120	90	15	158	132	184	26	13.5	24	17	75	100	129	25 ^{+0.084} ₀
MB-S12	125	136	142	105	18.5	186	160	212	26	13.5	24	25	85	115	157	25 ^{+0.084} ₀

Bore size (mm)	Z
32	92
40	96
50	109
63	109
80	134
100	134
125	163

Double clevis pivot bracket



(mm)

Without Air Cushion

Part no.	Bore size (mm)	B	DA	DB	DL	DU	DC	DX	DE	DO	DR	DT	DS	DH	Z*	DDH10
MB-B03	32	46	42	32	22	10	44	14	62	9	6.6	15	7	33	154	10 ^{+0.058} ₀
	40	52	42	32	22	10	44	14	62	9	6.6	15	7	33	158	10 ^{+0.058} ₀
MB-B05	50	65	53	43	30	11.5	60	20	81	10.5	9	18	8	45	182	14 ^{+0.070} ₀
	63	75	53	43	30	11.5	60	20	81	10.5	9	18	8	45	182	14 ^{+0.070} ₀
MB-B08	80	95	73	64	45	14	86	30	111	12.5	11	22	10	65	228	22 ^{+0.084} ₀
	100	114	73	64	45	14	86	30	111	12.5	11	22	10	65	228	22 ^{+0.084} ₀
MB-B12	125	136	90	78	60	15	110	32	136	13	13.5	24	14	75	267	25 ^{+0.084} ₀

Bore size (mm)	Z
32	160
40	164
50	190
63	190
80	238
100	238
125	279

Rotating Angle

Bore size (mm)	A°	B°	A° + B° + 90°
32, 40	25°	45°	160°
50, 63	40°	60°	190°
80, 100	30°	55°	175°
125	30°	50°	170°

* Mounting plate

Model without air cushion is designed to include rubber bumpers. The overall length is longer than the cylinder with air cushion as follows because the bumpers are attached to the both sides of the piston; ø32, ø40: +6 mm, ø50, ø63: +8 mm, ø80, ø100: +10 mm, ø125: +12 mm

** Trunnion pivot bracket

Model without air cushion is designed to include rubber bumpers. The overall length is longer than the cylinder with air cushion as follows because the bumpers are attached to the both sides of the piston; ø32, ø40: +3 mm, ø50, ø63: +4 mm, ø80, ø100: +5 mm, ø125: +6 mm

ACCESSORIES MOUNTING BRACKET SERIES NCG

Bore Size Inches Mounting Accessory	3/4	1	1 1/4	1 1/2	2	2 1/2
Foot (2 pcs)	NCG-L020	NCG-L025	NCG-L032	NCG-L040	NCG-L050	NCG-L063
Flange	NCG-F020	NCG-F025	NCG-F032	NCG-F040	NCG-F050	NCG-F063
Trunnion	NCG-T020	NCG-T025	NCG-T032	NCG-T040	NCG-T050	NCG-T063
Double Clevis	NCG-D020	NCG-D025	NCG-D032	NCG-D040	NCG-D050	NCG-D063
Trunnion Bracket	NCG-P020	NCG-P025	NCG-P032	NCG-P040	NCG-P050	NCG-P063
Single Clevis	NCG-C020	NCG-C025	NCG-C032	NCG-C040	NCG-C050	NCG-C063

FOR MORE TECHNICAL INFORMATION ON THIS SERIES, PLEASE REFER TO CAT:N303

ACCESSORIES AUTO SWITCHES

Note: Pre-wired Switches with 3/4 Pin Connectors available, please consult SMC Customer Service

MODEL NUMBER	OPERATING VOLTAGE	MAXIMUM CURRENT OR OPERATING CURRENT RANGE (mA)	INDICATOR LIGHT/WIRE
D-B54	24VDC 110VAC 220VAC	5~50mA 5~25mA 5~12.5mA	Yes/2 Wire
D-B53	24VDC	5~50mA	Yes/2 Wire
D-B64	24VDC 110VAC 220VAC	50mA 25mA 12.5mA	No/2 Wire
D-B73	24VDC	5~40mA	
D-C73	110VAC	5~20mA	Yes/2 Wire
D-C73C			
D-B76	4~8VDC	20mA	Yes/2 Wire
D-C76			
D-B80	24V	50mA	
D-C80	48V	40mA	No/2 Wire
D-C80C	110V	20mA	

SOLID STATE SWITCHES MODEL NUMBER	OPERATING VOLTAGE	MAXIMUM CURRENT OR OPERATING CURRENT RANGE (mA)	INDICATOR LIGHT/WIRE
D-G59	24VDC (10~28VDC)	40mA	Yes/3 Wire (NPN)
D-G5P	-	80mA or less	Yes/3 Wire (PNP)
D-K59	24VDC (10~28VDC)	5~40mA	Yes/2 Wire
D-5NTL	24VDC (10~28VDC)	80mA or less	Yes/3 Wire (NPN)
D-H7A1	24VDC (10~28VDC)	40mA	Yes/3 Wire (NPN)
D-H7A2	-	80mA or less	Yes/3 Wire (PNP)
D-H7B	24VDC (10~28VDC)	5~40mA	Yes/2 Wire
D-H7C	24VDC (10~28VDC)	5~40mA	Yes/2 Wire
D-G59W	24VDC (10~28VDC)	40mA or less	Yes/3 Wire (NPN)
D-G5PW	-	80mA or less	Yes/3 Wire (PNP)
D-K59W	24VDC (10~28VDC)	5~40mA	Yes/2 Wire
D-G59F	-	40mA or less	Yes/4 Wire (NPN)
D-G79	24VDC (10~28VDC)	150mA or less	Yes/3 Wire (NPN)
D-H7PW	-	80mA or less	Yes/3 Wire (PNP)
D-H7BAL	24VDC (10~28VDC)	5~40mA or less	Yes/2 Wire
D-H7LF	26VDC or less	40mA or less	Yes/4 Wire (NPN)
D-H7NF	28VDC or less	40mA or less	Yes/4 Wire (NPN)
D-G5BAL	24VDC (10~28VDC)	5~40mA or less	Yes/2 Wire
D-H7PW	-	80mA or less	No/3 Wire (NPN)
D-H7BW	24VDC (10~28VDC)	5~40mA	Yes/2 Wire

ACCESSORIES SWITCH BANDS

FOR SWITCHES D-B7, D-B8, D-G7

BM1-013/4"
BM1-021"
BM1-321 1/4"
BM1-041 1/2"
BM1-052"
BM1-062 1/2"

ACCESSORIES SWITCH BANDS

FOR SWITCHES D-B5, D-B6, D-G5, D-K5

BA-013/4"
BA-021"
BA-321 1/4"
BA-041 1/2"
BA-052"
BA-062 1/2"

ACCESSORIES SWITCH BANDS

FOR SWITCHES D-C75, D-C8, D-H7

BMA1-0203/4"
BMA2-0251"
BMA2-0321 1/4"
BMA2-0401 1/2"
BMA2-0502"
BMA2-0632 1/2"

TECHNICAL SPECIFICATIONS

STANDARD SERIES NCG

Fluid	Air
Proof Pressure	1.5MPa / 215 PSI
Max Operating Pressure	1MPa / 145 PSI
Min Operating Pressure	0.05MPa / 7 PSI
Ambient and Fluid Temperature	10~60°C / 40~140°F
Piston Velocity	50~1000mm/s / 2 ~ 40 in/sec
Cushion	Urethane Bumper or Adjustable Air Cushion
Lubrication	Non-Lube
Mounting	Basic, Foot, Front & Rear Flange, Front & Rear Trunnion, Double & Single Clevis, Front Nose

REPAIR KIT

STANDARD SERIES NCG

Bore Size	Bumper Design	Air Cushion Design
20	CG1N20-PS	CG1A20-PS
25	CG1N25-PS	CG1A25-PS
32	CG1N32-PS	CG1A32-PS
40	CG1N40-PS	CG1A40-PS
50	CG1N50-PS	CG1A50-PS
63	CG1N63-PS	CG1A63-PS

SEE INSIDE FRONT COVER FOR
DETAILS OF YOUR LOCAL SALES OFFICE



FOR FURTHER TECHNICAL
DETAILS ON THIS
PRODUCT, REQUEST
CATALOG REFERENCE
N303