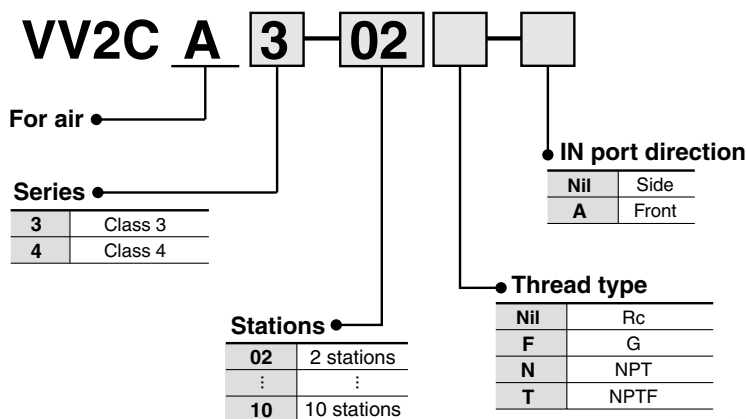


How to Order Manifold (VCA30/40)



How to Order Manifold Assembly

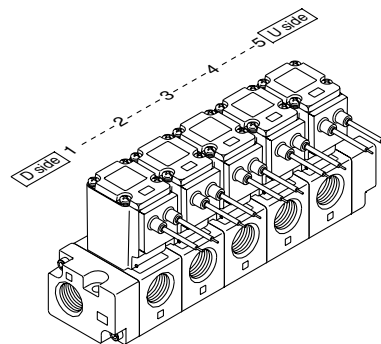
Enter the mounting valve and option part numbers under the manifold base part number.

<Ordering Example>

VV2CA3-05 1 set Manifold part no.
* VCA35-5G-4-03 5 sets Valve part no.
(Stations 1 to 5)

"*" is the symbol for assembly. Add an "*" in front of the part numbers for solenoid valves, etc., to be mounted.

Enter together in order, counting from station 1 on the D side.



VC□

VDW

VQ

VX2

VX□

VX3

VXA

VN□

LVC

LVA

LVH

LVD

LVQ

LQ

LVN

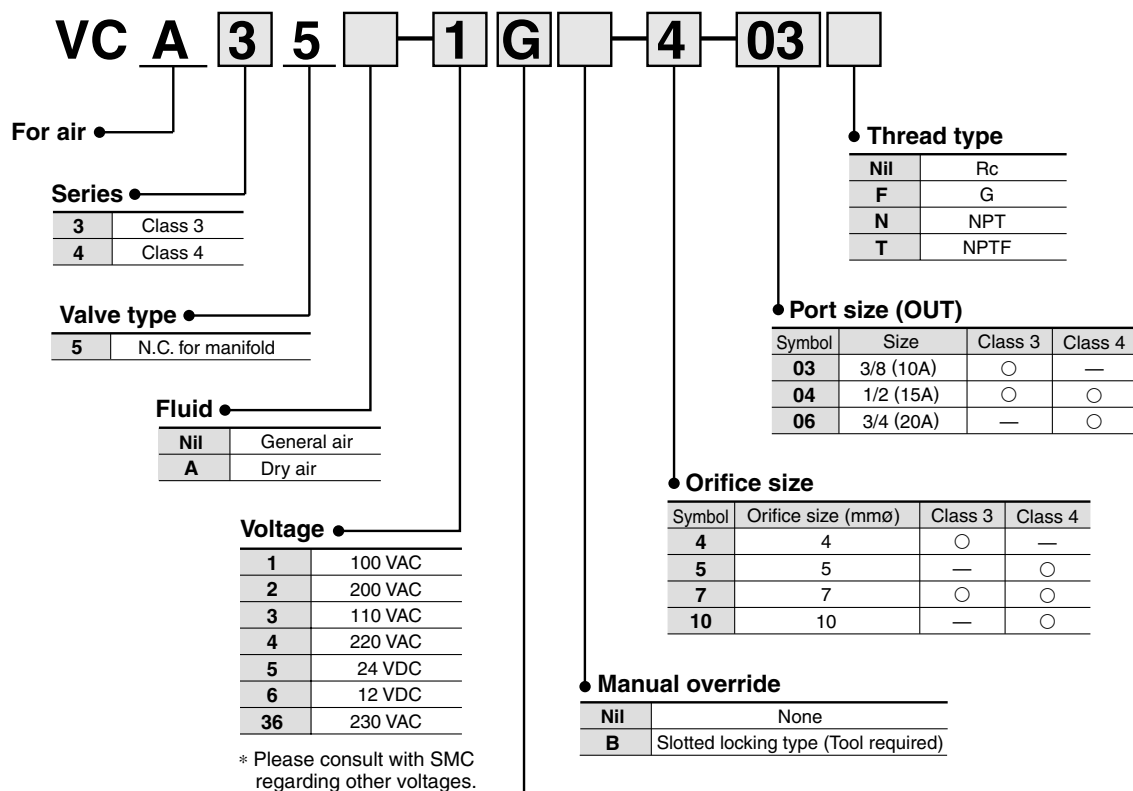
TI/TIL

PA

PAX

PB

How to Order Valves (VCA30/40)



● Electrical entry

G	Grommet
C	Conduit
T	Conduit terminal
TL	Conduit terminal with indicator light
D	DIN terminal
DL	DIN terminal with indicator light
DO	DIN terminal (without connector)

* All types equipped with surge voltage suppressor.