

Series VCS

How to Order Manifold

VV2C S 2-D 02 01

For steam

In the case of no symbol for material
 • Base material: C37
 • Seal material: FKM
 (4 stations or more)

Series

2	Class 2
3	Class 3
4	Class 4

Material

Symbol	Body material	Seal material
D	C37	FKM
N	Stainless steel	

Stations

02	2 stations
∴	∴
10	10 stations

* Refer to page 17-2-47 in the L dimension table regarding the maximum number of stations.

Thread type

Symbol	Thread type
Nil	Rc
N	NPT
F	G

OUT port size

Symbol	Port size
01	1/8 (6A)
02	1/4 (8A)

* All IN ports are 3/8.



How to Order Manifold Assembly

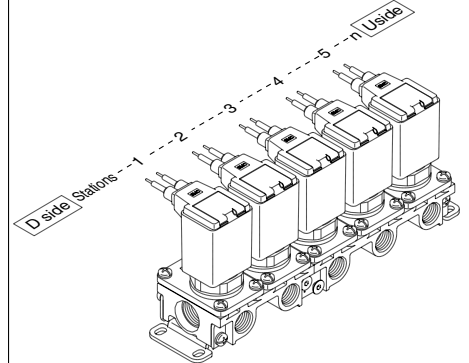
Enter the mounting valve and option part numbers under the manifold base part number.

<Ordering Example>

VV2CS2-D0501..... 1 set Manifold part no.
 *VCS23-1G-2..... 5 sets Valve part no.
 (Stations 1 to 5)

"*" is the symbol for assembly. Add a "*" in front of the part numbers for solenoid valves, etc., to be mounted.

Enter together in order, counting from station 1 on the D side.



How to Order Valves (For manifold)

VC S 2 3-1 G-2

For steam

Material and insulation type
 When there is no symbol for
 • Body material: C37
 • Seal material: PTFE
 • Coil insulation: Class H

Series

2	Class 2
3	Class 3
4	Class 4

Valve type

3	N.C. for manifold
---	-------------------

Voltage

1	100 VAC
2	200 VAC
3	110 VAC
4	220 VAC
36	230 VAC

* Please consult SMC regarding other voltages.

Material and insulation type

Symbol	Body material	Seal material	Coil insulation type
Nil	C37	PTFE	Class H
D		FKM	
R	Stainless steel	PTFE	
N		FKM	

Note) High corrosion resistant specification, used for armature material.

Orifice size

Symbol	Orifice size (mmφ)	Class 2	Class 3	Class 4
2	2	○	—	—
3	3	○	○	○
4	4	○	○	○
5	5	○	○	○
7	7	—	○	○

Electrical entry

G	Grommet
C	Conduit
T	Conduit terminal

* Available types of electrical entry are either G, C and T.
 (Surge voltage suppressor is not equipped.)

Manifold Option

Blanking plate assembly

VVCW 2 1486 - 3A - K

Series

2	Class 2
3	Class 3
4	Class 4

Material

Symbol	Plate material	Seal material
K	Stainless steel	PTFE
H		FKM

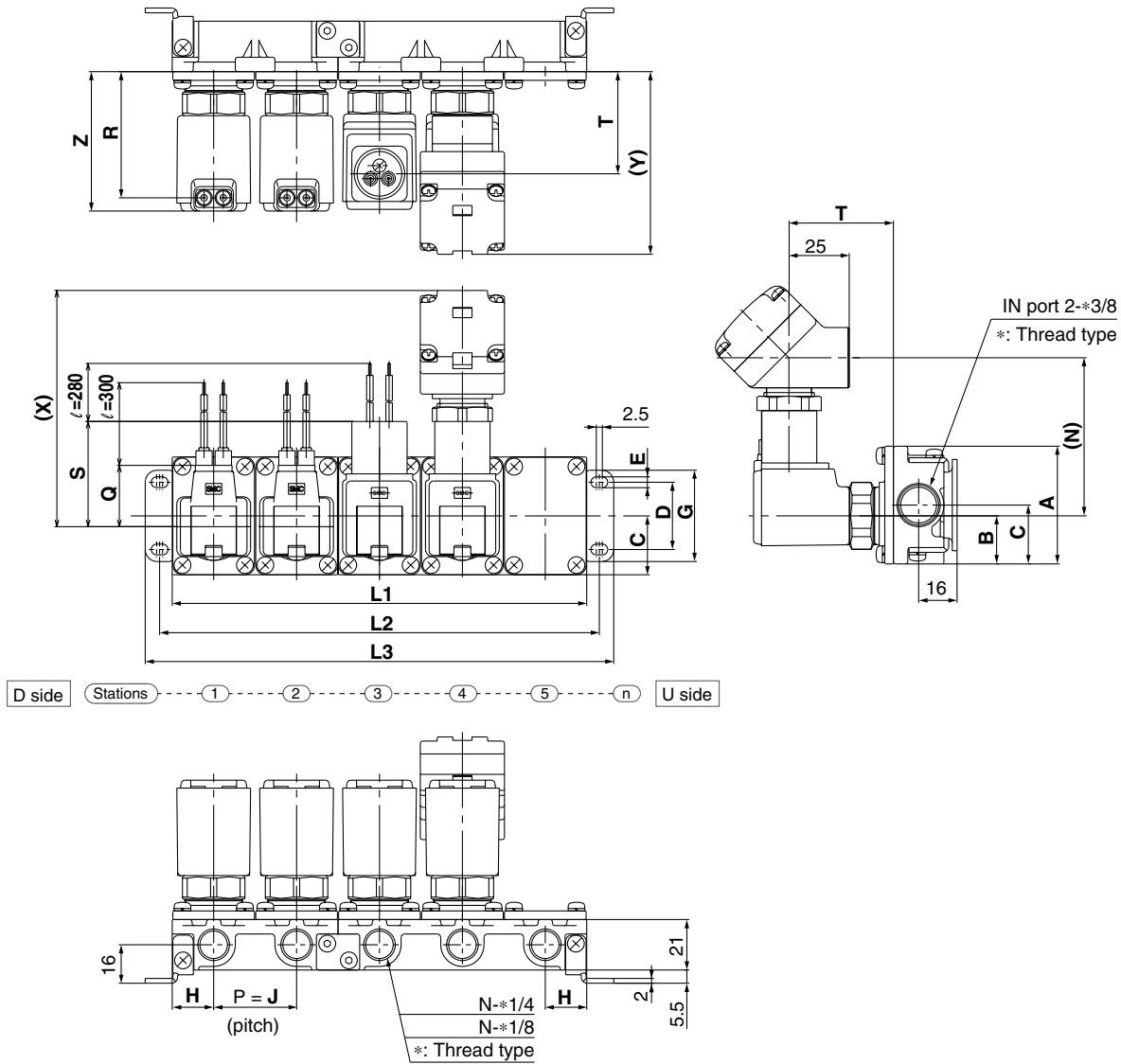
JIS symbol



This is used by mounting it on the manifold block when a valve is removed for maintenance or when the mounting of an additional valve is planned, etc.

Direct Operated 2 Port Solenoid Valve For Steam Series VCS

Dimensions



- VC□
- VDW
- VQ
- VX2
- VX□
- VX3
- VXA
- VN□
- LVC
- LVA
- L VH
- LVD
- LVQ
- LQ
- LVN
- TI/
TIL
- PA
- PAX
- PB

L Dimension

Model	Dimensions	n (stations)									
		2	3	4	5	6	7	8	9	10	
VV2CS2	L1	69	103.5	138	172.5	207	241.5	276	310.5	345	
	L2	81	115.5	150	184.5	219	253.5	288	322.5	357	
	L3	93	127.5	162	196.5	231	265.5	300	334.5	369	
VV2CS3	L1	77	115.5	154	192.5	231	269.5	308	346.5	385	
	L2	89	127.5	166	204.5	243	281.5	320	358.5	397	
	L3	101	139.5	178	216.5	255	293.5	332	370.5	409	
VV2CS4	L1	83	124.5	166	207.5	249	290.5	332	373.5	415	
	L2	95	136.5	178	219.5	261	302.5	344	385.5	427	
	L3	107	148.5	190	231.5	273	314.5	356	397.5	439	
Manifold composition		2 stns. x 1	3 stns. x 1	2 stns. x 2	2 stns. + 3 stns.	3 stns. x 2	2 stns. x 2 + 3 stns.	2 stns. + 3 stns x 2	3 stns. x 3	2 stns. x 2 + 3 stns. x 2	

Note) Manifold base is consisted of the junction of 2 and 3 station bases.

Dimensions

Model	A	B	C	D	E	G	H	J	Z	Electrical entry						
										Grommet: G		Conduit: C		Conduit terminal: T		
										Q	R	S	T	N	X	Y
VV2CS2	49	20	24.5	28	4.5	38	17.3	34.5	56	22	50.5	44	41.5	66	99	77
VV2CS3	57	25.5	28.5	30	5.5	42	19.3	38.5	66	24	60	45.5	51	68	101	86.5
VV2CS4	57	25.5	28.5	30	5.5	42	20.8	41.5	74	26	68	47.5	58.5	70	103	94