

Series VDW10/20/30

How to Order Manifold

VV2DW 2 05 01

Series

1	10
2	20
3	30

Material

Symbol	Manifold material	Seal material
Nil	C37	NBR
A		FKM
G	Stainless steel	NBR
H		FKM

Option

Nil	None
F	With bracket

Note) Type 30 is available only with bracket.

Thread type

Nil	Rc
F	G
N	NPT

Stations

02	2 stations
:	:
10	10 stations

OUT port size

Symbol	Port size	Series		
		10	20	30
M5	M5	○	○	—
01	1/8 (6A)	—	○	○
02	1/4 (8A)	—	—	○

Note) IN port sizes are as follows.
 10: 1/8 (6A)
 20: 1/4 (8A)
 30: 3/8 (10A)



How to Order Manifold Assembly

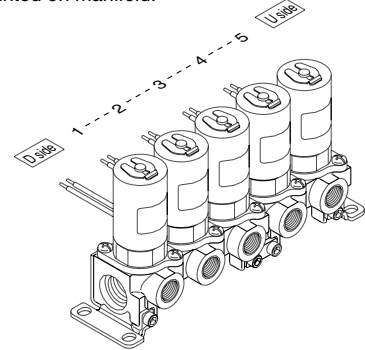
Enter the mounting valve and option part numbers under the manifold base part number.

<Ordering Example>

VV2DW2-0501.....1 set Manifold part no.
 *VDW23-5G-2.....5 sets Valve part no.
 (Stations 1 to 5)

"*" is the symbol for assembly. Add an "*" in front of the part numbers to have solenoid valves, etc. mounted on manifold.

Enter together in order, counting from station 1 on the D side.



How to Order Valves (For manifold)

VDW 2 3 5 G 2

Series

1	10
2	20
3	30

Valve type

3	N.C. for manifold
---	-------------------

Voltage

1	100 VAC (50/60 Hz)
2	200 VAC (50/60 Hz)
3	110 VAC (50/60 Hz)
4	220 VAC (50/60 Hz)
5	24 VDC
6	12 VDC
9	Other

Material and insulation type

Symbol	Body material	Seal material	Coil insulation type
Nil	C37	NBR	Class B
A		FKM	
G	Stainless steel	NBR	
H		FKM	
L ^{Note)}		FKM	

Note) For pure water: The armature ass'y is a corrosion resistant construction.

Orifice size

Symbol	Orifice size (mm ø)	Series
1	1	10
2	1.6	
1	1.6	20
2	2.3	
3	3.2	30
2	2	
3	3	
4	4	

Electrical entry

G	Grommet
---	---------

Manifold Option

Blanking plate assembly

• Types 10, 20

VVDW 2 0 - 3A

Series

1	10
2	20

Material type

Symbol	Plate material	Seal material
G	Stainless steel	NBR
H		FKM

* Plate material is stainless steel only.

• Type 30

VVCW20 - 3A

Material type

Symbol	Plate material	Seal material
G	Stainless steel	NBR
H		FKM