

# 5 Port Pilot Operated Solenoid Valve Rubber Seal

## Series VF3000

Compact and lightweight:  
26.4 mm width

Compact yet provides a large flow capacity:  
Sonic conductance  
C: 3.1 dm<sup>3</sup>/(s·bar)  
{4/2 → 5/3 (A/B → EA/EB)}

Low power consumption:  
1.8 W (DC)



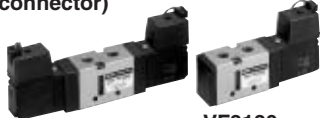
VF3230 (DIN terminal) VF3122 (Grommet with bracket)



VF3230 (Grommet) VF3130 (Grommet)



VF3330 (M plug connector) VF3130 (M plug connector)

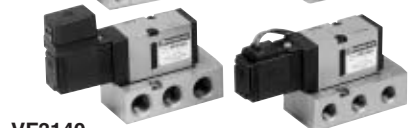


VF3230 (L plug connector) VF3130 (L plug connector)

Body ported



VF3540 (Conduit terminal) VF3240 (DIN terminal)



VF3140 (Grommet terminal) VF3140 (Grommet)



VF3240 (L plug connector) VF3240 (M plug connector)

Base Mounted (With sub-plate)

### Specifications

Fluid	Air	
Operating pressure range	2 position single/3 position	0.15 to 0.9 MPa
	2 position double	0.1 to 0.9 MPa
Ambient and fluid temperature	-10 to 50°C (No freezing. Refer to page 3-13-4.)	
Response time <sup>(1)</sup>	2 position single/double	20 ms or less (at the pressure of 0.5 MPa)
	3 position	40 ms or less (at the pressure of 0.5 MPa)
Max. operating frequency	2 position single/double	10 Hz
	3 position	3 Hz
Lubrication	Not required	
Manual override	Non-locking push, Locking slotted, Locking knob	
Mounting orientation	Unrestricted	
Shock/Vibration resistance <sup>(2)</sup>	300/50 m/s <sup>2</sup>	
Enclosure	Dustproof	
Pilot valve EXH	Individual exhaust, Common exhaust for main valve and pilot valve	



Note 1) Based on dynamic performance test, JIS B 8375-1981. (Coil temperature: 20°C, at rated voltage, without surge suppressor)

Note 2) Impact resistance: No malfunction occurred when it is tested with a drop tester in the axial direction and at the right angles to the main valve and armature in both energized and de-energized states every once for each condition. (Values at the initial period)

Vibration resistance: No malfunction occurred in a one-sweep test between 45 and 2000 Hz. Test was performed at both energized and de-energized states in the axial direction and at the right angles to the main valve and armature. (Values at the initial period)

Electrical entry	Grommet, Grommet terminal, Conduit terminal DIN terminal, L plug connector, M plug connector		
Coil rated voltage (V)	AC 50/60 Hz	100, 200, 12*, 24*, 48*, 110*, 220*, 240*	
	DC	24, 6*, 12*, 48*, 100*, 110*	
Allowable voltage fluctuation	-15 to +10% of rated voltage		
Apparent power <sup>Note)</sup>	AC	Inrush	5.6 VA (50 Hz), 5.0 VA (60 Hz)
		Holding	3.4 VA (50 Hz), 2.3 VA (60 Hz)
Power consumption <sup>Note)</sup>	DC	1.8 W, 2 W (With indicator light)	
Light/Surge voltage suppressor	AC	ZNR (Varistor), Neon bulb (LED 100 V or less)	
	DC	ZNR (Varistor), LED (Neon bulb 100 V or more)	



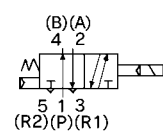
\* Option Note) At rated voltage

### Option

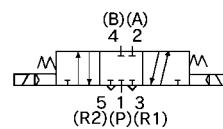
Description	Part no.	Applicable valve model
Bracket	DXT031-40-3A	For VF3122 only
Silencer	AN110-01	R 1/8

### JIS Symbol

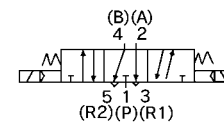
Single  
VF3130



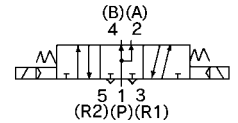
Closed center  
VF3330



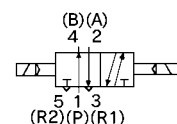
Exhaust center  
VF3430



Pressure center  
VF3530



Double  
VF3230



# Series VF3000

## Flow Characteristics/Weight

Model <sup>(1)</sup>	Type of actuation	Port size <sup>(2)</sup>	Flow characteristics						Weight <sup>(4)</sup> (kg)		
			1 → 4/2 (P → A/B)			4/2 → 5/3 (A/B → EA/EB)					
			C [dm <sup>3</sup> /(s·bar)]	b	Cv	C [dm <sup>3</sup> /(s·bar)]	b	Cv			
Body ported	VF3122-□□-01-F	2 position single	1/8	3.0	0.38	0.78	2.8	0.30	0.67	0.24	
				3.0	0.38	0.78	2.8	0.30	0.67	0.21	
				3.0	0.38	0.78	2.8	0.30	0.67	0.29	
	VF3□30-□□-01	2 position double		2.4	0.31	0.64	1.8	0.37	0.46	0.44	
				2.6	0.37	0.70	3.0 [2.5]	0.32 [0.28]	0.76 [0.62]	0.44	
				3.0 [1.4]	0.42 [0.44]	0.83 [0.39]	2.4	0.27	0.59	0.44	
	VF3122-□□-02-F	2 position single	1/4	4.0	0.36	1.0	3.1	0.32	0.75	0.24	
				4.0	0.36	1.0	3.1	0.32	0.75	0.21	
				4.0	0.36	1.0	3.1	0.32	0.75	0.29	
	VF3□30-□□-02	2 position double		2.4	0.45	0.68	1.9	0.37	0.47	0.44	
				3.0	0.42	0.82	3.1 [2.7]	0.36 [0.29]	0.79 [0.66]	0.44	
				5.5 [1.4]	0.37 [0.50]	1.4 [0.40]	2.6	0.32	0.64	0.44	
Base mounted <sup>(3)</sup>	VF3□40-□□-02	2 position single	1/4	2.8	0.14	0.64	2.5	0.18	0.57	0.38	
				2.8	0.14	0.64	2.5	0.18	0.57	0.47	
				2.1	0.22	0.49	1.6	0.26	0.41	0.61	
		3 position closed center		2.3	0.21	0.53	2.8 [2.1]	0.23 [0.26]	0.66 [0.50]	0.61	
				3 position exhaust center	2.9 [1.1]	0.16 [0.45]	0.67 [0.32]	2.1	0.23	0.49	0.61
					3 position pressure center	3.1	0.24	0.76	2.6	0.23	0.62
	VF3□40-□□-03	2 position single	3/8			3.1	0.24	0.76	2.6	0.23	0.62
				2.2		0.33	0.57	1.6	0.34	0.40	0.61
				2.6	0.27	0.61	2.8 [2.3]	0.30 [0.28]	0.68 [0.55]	0.61	
		2 position double		3.4 [1.3]	0.29 [0.48]	0.80 [0.38]	2.2	0.31	0.52	0.61	
				3 position closed center							
					3 position exhaust center						
3 position pressure center											

- Note 1) For common exhaust type for main and pilot valve, model number will be VVF3□43, VF3□43  
 Note 2) In the case of body ported, exhaust port is only Rc 1/8.  
 Note 3) With sub-plate  
 Note 4) Weight stands for grommet type.  
 Note 5) [ ] : Denotes normal position.

## How to Order Pilot Valve Assembly

SF4 - **1** **DZ** **□** - 50  
 (A) (B) (C)

### (A) Coil rated voltage

1	100 VAC, 50/60 Hz
2	200 VAC, 50/60 Hz
3 *	110 to 120 VAC, 50/60 Hz
4 *	220 VAC, 50/60 Hz
5	24 VDC
6 *	12 VDC
7 *	240 VAC, 50/60 Hz
9 *	Other

### (C) Manual override

Nil	Non-locking push type
B	Locking type B
C	Locking type C

\* Option

### (B) Electrical entry, Light/Surge voltage suppressor

Symbol	Electrical entry	Light/Surge voltage suppressor
G	Grommet	None
GS		With surge voltage suppressor
H		None
HS		With surge voltage suppressor
E	Grommet terminal	None
EZ		With light/surge voltage suppressor
T	Conduit terminal	None
TZ		With light/surge voltage suppressor
D	DIN terminal	None
DZ		With light/surge voltage suppressor
DO		None
DOZ		With light/surge voltage suppressor
L	L plug connector	None
LZ		With light/surge voltage suppressor
LN		None
LNZ		With light/surge voltage suppressor
LO		None
LOZ		With light/surge voltage suppressor
M	M plug connector	None
MZ		With light/surge voltage suppressor
MN		None
MNZ		With light/surge voltage suppressor
MO		None
MOZ		With light/surge voltage suppressor

\* Interchangeable with the previous model, "DXT154-A-□□□□".

## Manifold

Model <sup>(Note)</sup>	Manifold type			
	Type	EXH	A, B (CYL) port	
VF3□30-□□-01-02	B mount	Type 30	Common	Valve
VF3□40-□□		Type 40	Common	Base
VF3□50-□□		Type 50	Individual	Base
VF3□60-□□-01-02	S mount	Type 60, 61	Common	Valve
VF3□70-□□-01-02		Type 70, 71	Individual	Valve

Note) For common exhaust type for main and pilot valve, model number will be VF3□33, VF3□43, VF3□63.

# 5 Port Pilot Operated Solenoid Valve Rubber Seal Series VF3000

## How to Order

**Body option**

0	Standard
3*	Common exhaust type for main and pilot valve

\* Option

**Port size (P, A, B port)**

01	1/8
02	1/4

Rt, R2, Rc 1/8

**Thread type**

Nil	Rc
F	G
N	NPT
T	NPTF

**Body ported single solenoid with bracket**

**VF3122**    — 1 G    — 02 — F

**Body ported For type 30 manifold**

**VF3 1 3 0** — 1 G    — 02

**Base mounted For type 40 manifold**

**VF3 1 4 0** — 1 G    — 02

**For type 50 manifold**

**VF3 1 50** — 1 G    — 02

**Option**

F	With bracket
---	--------------

\* Not installed when delivered.

**Port size**

Nil	Sub-plate None
02	1/4
03	3/8

**For type 60, 61 manifold**

**VF3 1 6 0** — 1 G    — 02

**For type 70, 71 manifold**

**VF3 1 6 0** — 1 G    — 02

**Port size (A, B port)**

01	1/8
02	1/4

R port of "VF3□70" 1/4 is Rc.

**Type of actuation**

1	Single solenoid
2	Double solenoid
3	Closed center
4	Exhaust center
5	Pressure center

**Rated voltage**

1	100 VAC, 50/60 Hz
2	200 VAC, 50/60 Hz
3*	110 V to 120 VAC, 50/60 Hz
4*	220 VAC, 50/60 Hz
5	24 VDC
6*	12 VDC
7*	240 VAC, 50/60 Hz
9*	Other

\* Option  
L, M plug connector: Max. 220 VAC

**Manual override**

Nil	Non-locking push type
B	Locking type B
C	Locking type C

**Body type**

6	For type 60 and 61 manifolds
7	For type 70 and 71 manifolds

**Body option**

0	Standard
Note) 3*	Common exhaust type for main and pilot valve

\* Option  
Note) VF3□63 only

**Light/Surge voltage suppressor**

Nil	None
Z*	With light/surge voltage suppressor
S*	With surge voltage suppressor

\* Indicator light is not available for grommet type. W/surge voltage suppressor is available for grommet type only.

**Electrical entry**

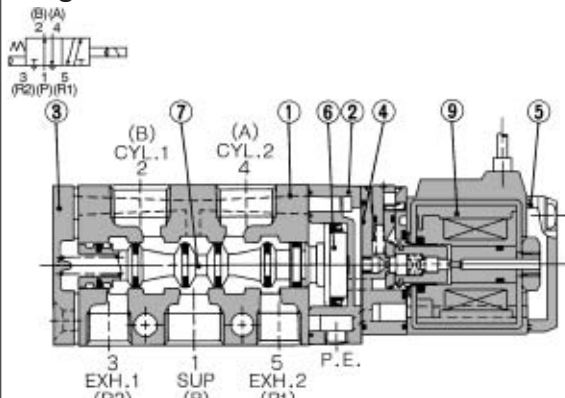
G	Grommet (Lead wire: 300 mm)	
H	Grommet (Lead wire: 600 mm)	
E	Grommet terminal	
T	Conduit terminal	
D	DIN terminal	With connector
DO		Without connector
L	L plug connector	With lead wire
LN		Without lead wire
LO	M plug connector	Without connector
M		With lead wire
MN	Without lead wire	
MO	Without connector	

- VK
- VZ
- VF
- VFR
- VP4
- VZS
- VFS
- VS4
- VQ7
- EVS
- VFN

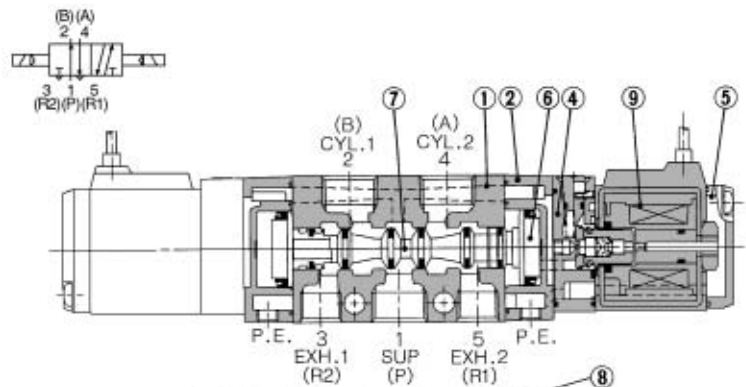
# Series VF3000

## Construction

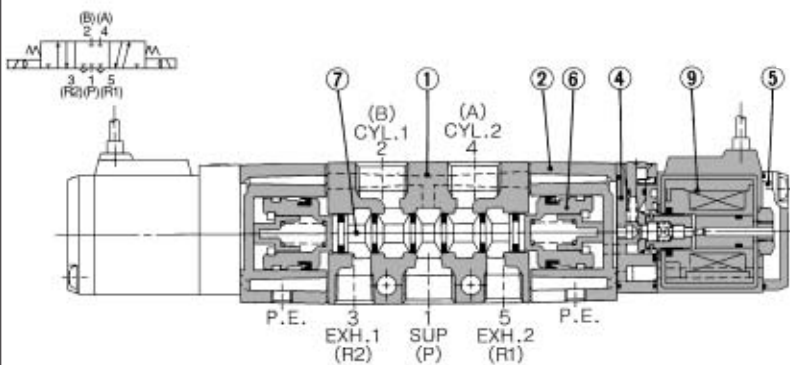
### Single solenoid



### Double solenoid



### 3 position closed center



### Component Parts

No.	Description	Material	Note
①	Body	Aluminum die-casted	Platinum silver
②	Adapter plate	Resin (1)	Black (3)
③	End cover	Aluminum die-casted	Black
④	Pilot body	Resin	
⑤	Pilot cover	Resin	
⑥	Piston	Resin (2)	
⑦	Spool valve	Aluminum, NBR	

### Replacement Parts

No.	Description	Part no.	Note
⑧	Sub-plate	DXT031-41-3□P	3/8 Aluminum die-casted
		DXT031-41-4□P	1/4 Aluminum die-casted
⑨	Pilot valve assembly	SF4-□□□-50	Refer to "How to Order" on page 3-4-14.



Note 1) 3 position: Zinc die-casted  
 Note 2) 3 position: Aluminum  
 Note 3) 3 position: Metallic paint

### Sub-plate Part No.

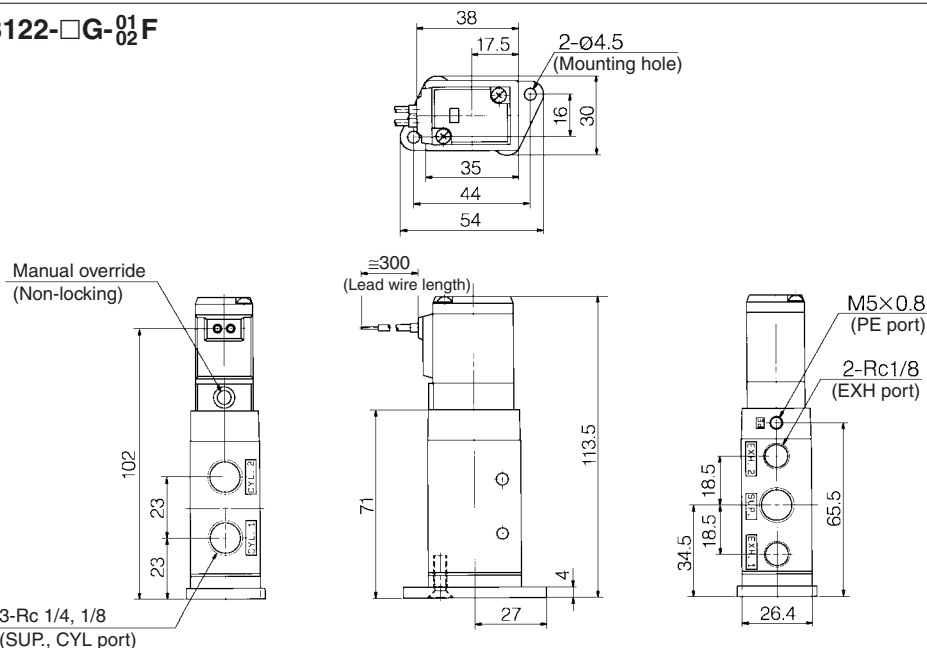
**DXT031-41-3□P**

### Thread type

Nil	Rc
F	G
N	NPT
T	NPTF

## With Bracket/Body Ported: 2 Position Single Solenoid

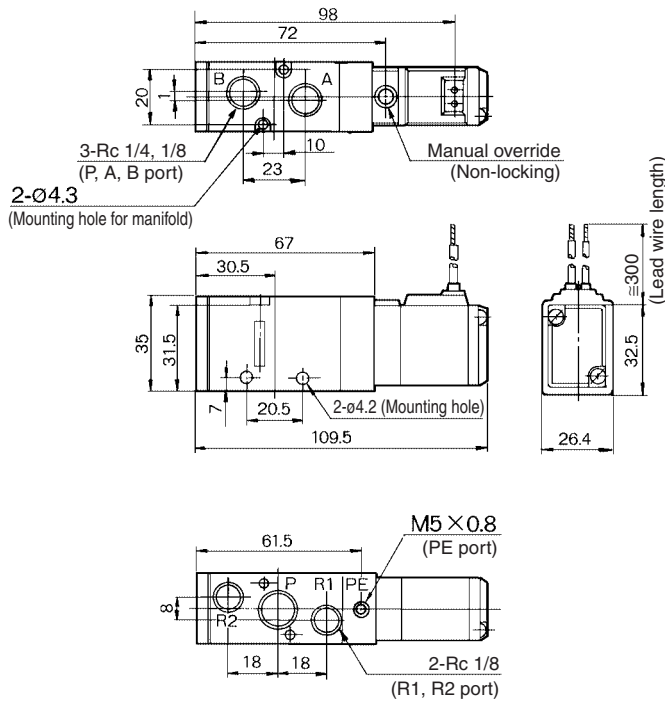
### Grommet: VF3122-□G-0<sup>1</sup>/<sub>2</sub>F



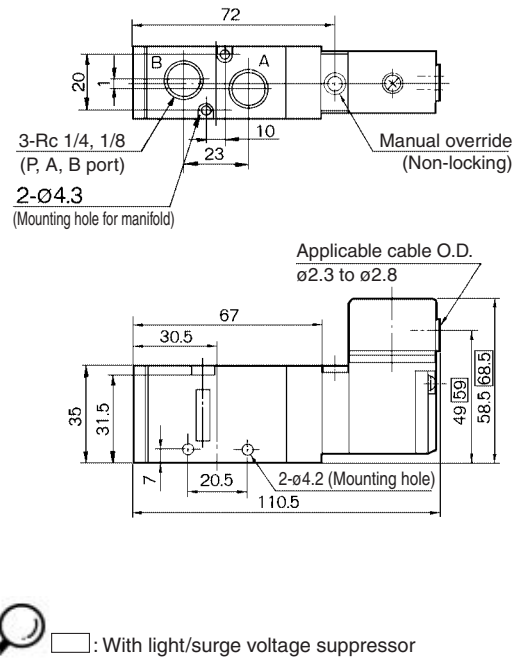
# 5 Port Pilot Operated Solenoid Valve Rubber Seal Series VF3000

## Body Ported: 2 Position Single Solenoid

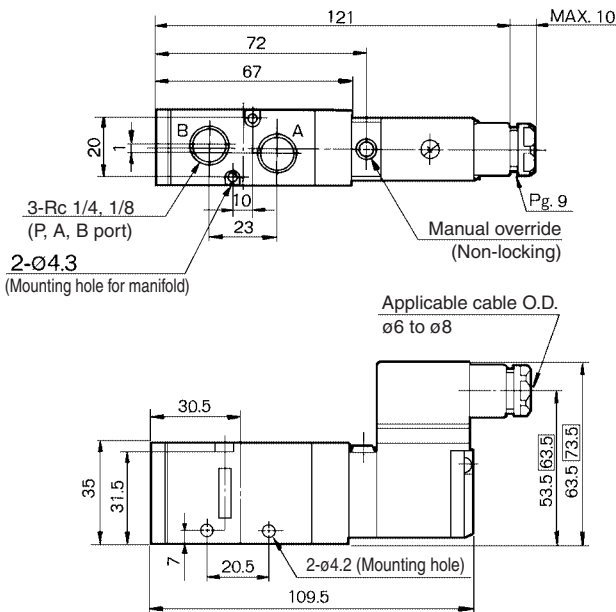
**Grommet: VF3130-□G-01**  
02



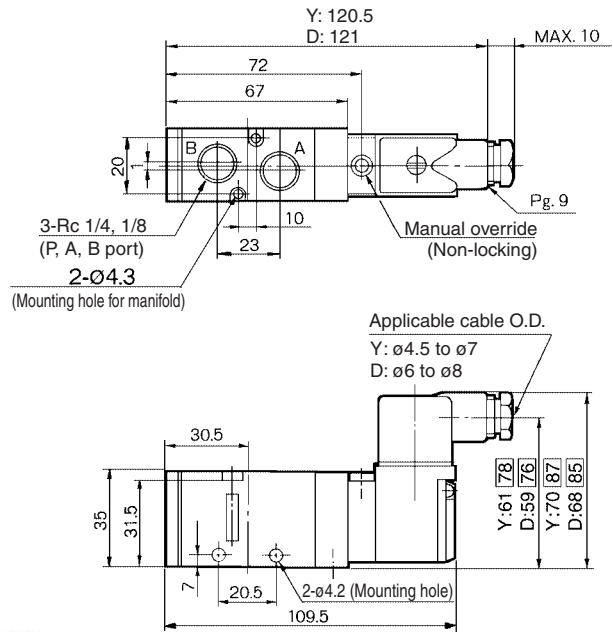
**Grommet terminal: VF3130-□E-01**  
02



**Conduit terminal: VF3130-□T-01**  
02



**DIN terminal: VF3130-□D-01**  
02  
**VF3130-□Y-01**  
02



VK

VZ

VF

VFR

VP4

VZS

VFS

VS4

VQ7

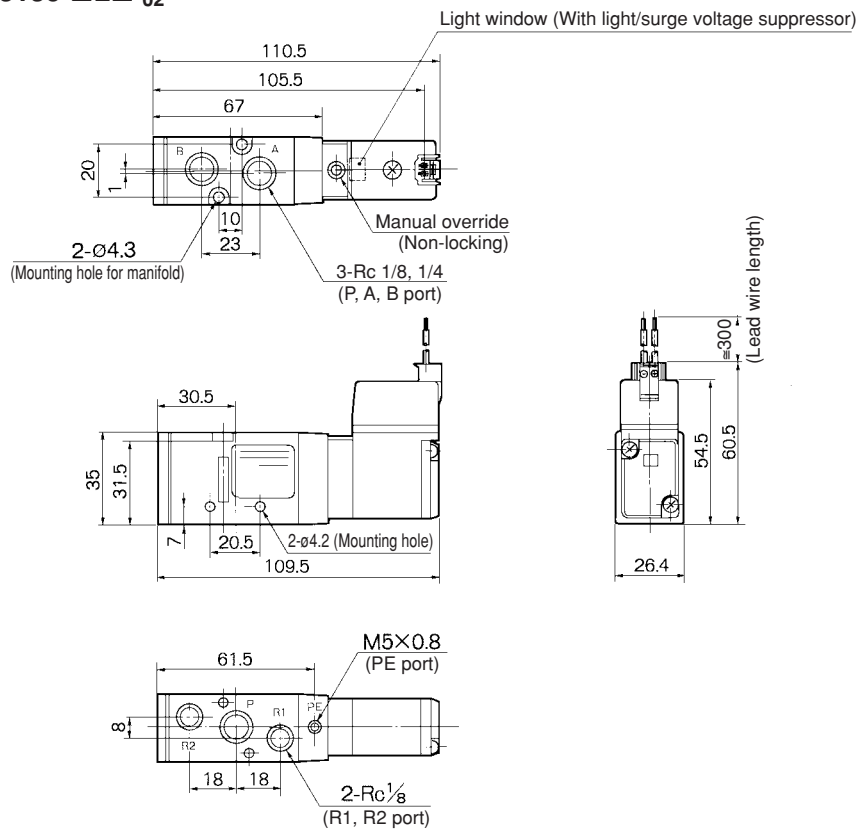
EVS

VFN

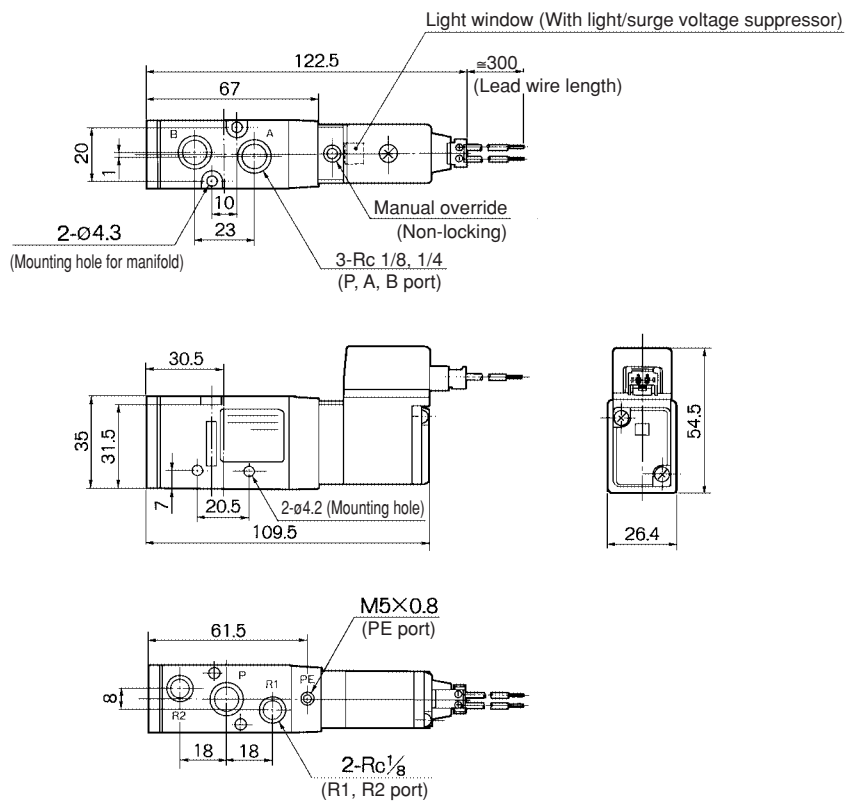
# Series VF3000

## Body Ported: 2 Position Single Solenoid

L plug connector: VF3130-□L□-01/02



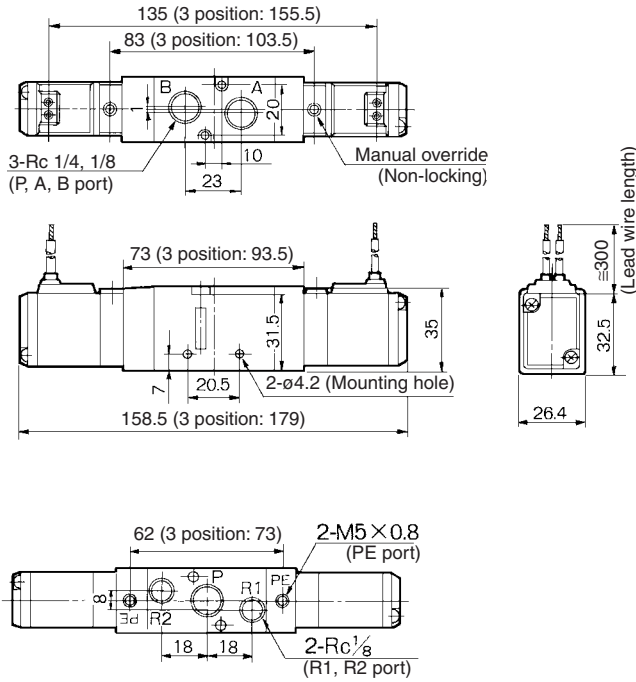
M plug connector: VF3130-□M□-01/02



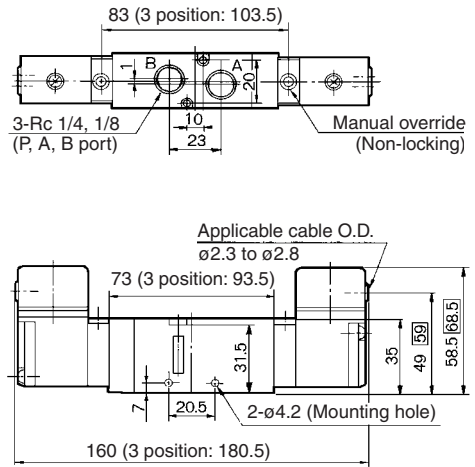
# 5 Port Pilot Operated Solenoid Valve Rubber Seal Series VF3000

**Body Ported: 2 Position Double solenoid, 3 Position Closed Center/Exhaust Center/Pressure Center**

**Grommet: VF3□30-□G-<sup>01</sup>/<sub>02</sub>**

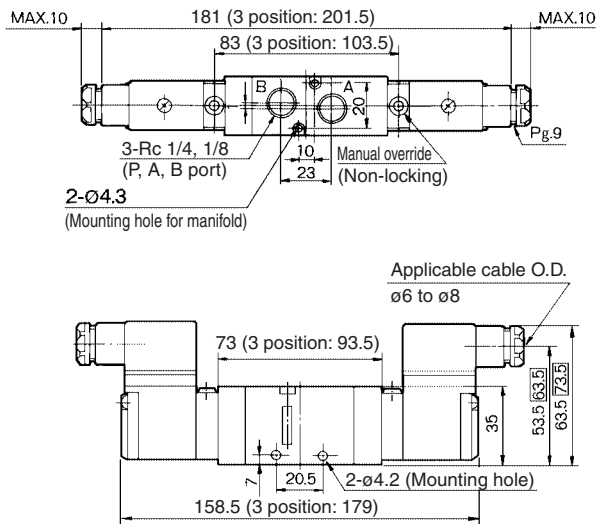


**Grommet terminal: VF3□30-□E-<sup>01</sup>/<sub>02</sub>**



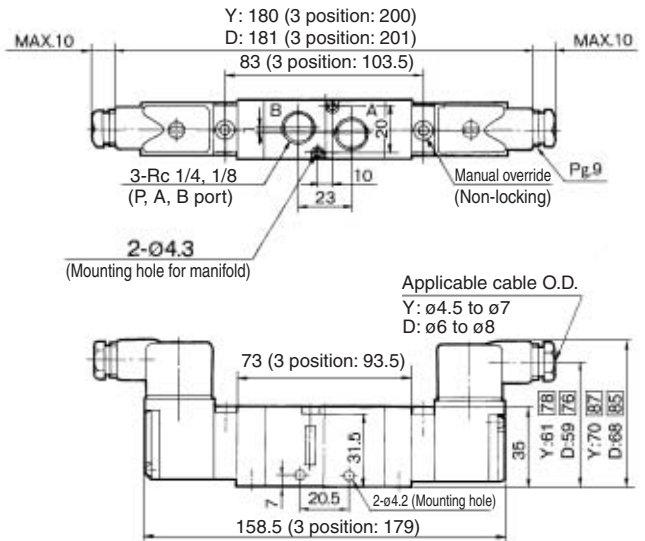
: With light/surge voltage suppressor

**Conduit terminal: VF3□30-□T-<sup>01</sup>/<sub>02</sub>**



: With light/surge voltage suppressor

**DIN terminal: VF3□30-□D-<sup>01</sup>/<sub>02</sub>  
VF3□30-□Y-<sup>01</sup>/<sub>02</sub>**



: With light/surge voltage suppressor

VK

VZ

VF

VFR

VP4

VZS

VFS

VS4

VQ7

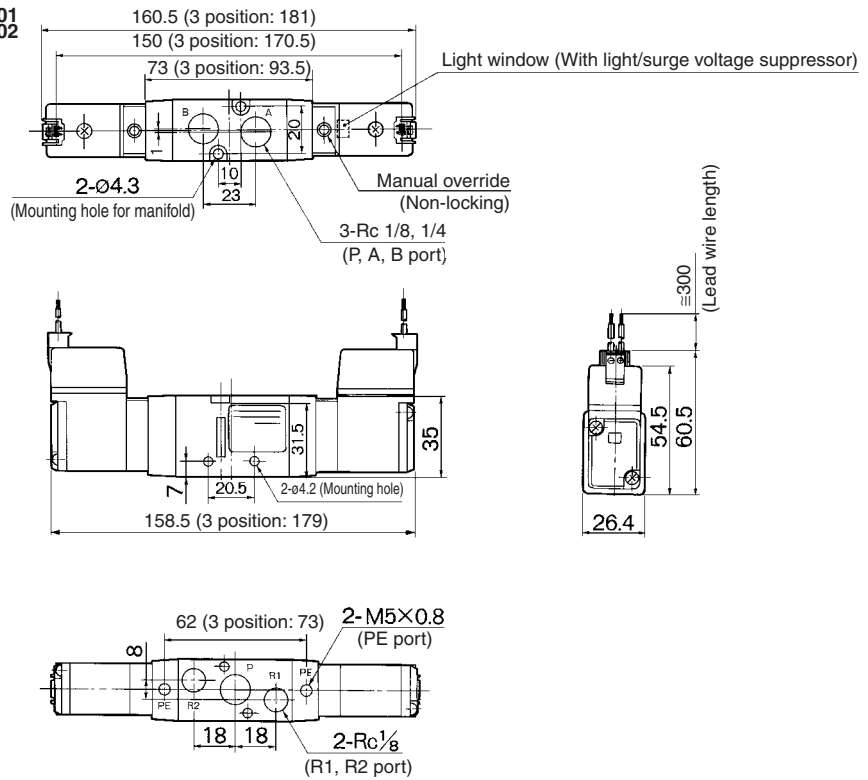
EVS

VFN

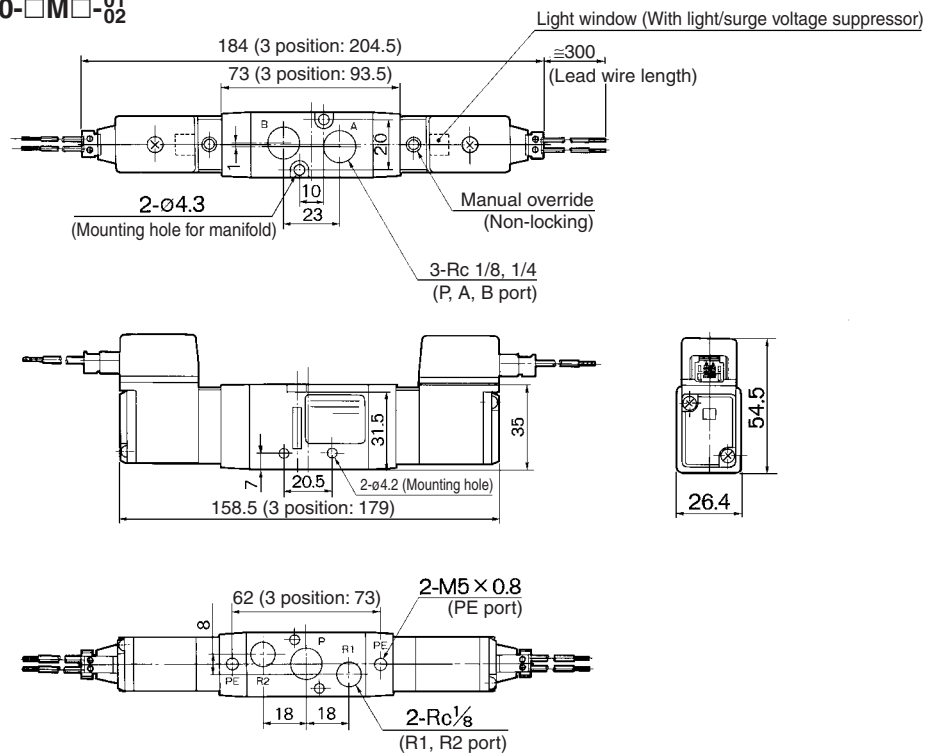
# Series VF3000

## Body Ported: 2 Position Double Solenoid, 3 Position Closed Center/Exhaust Center/Pressure Center

### L plug connector: VF3□30-□L□-01



### M plug connector: VF3□30-□M□-01

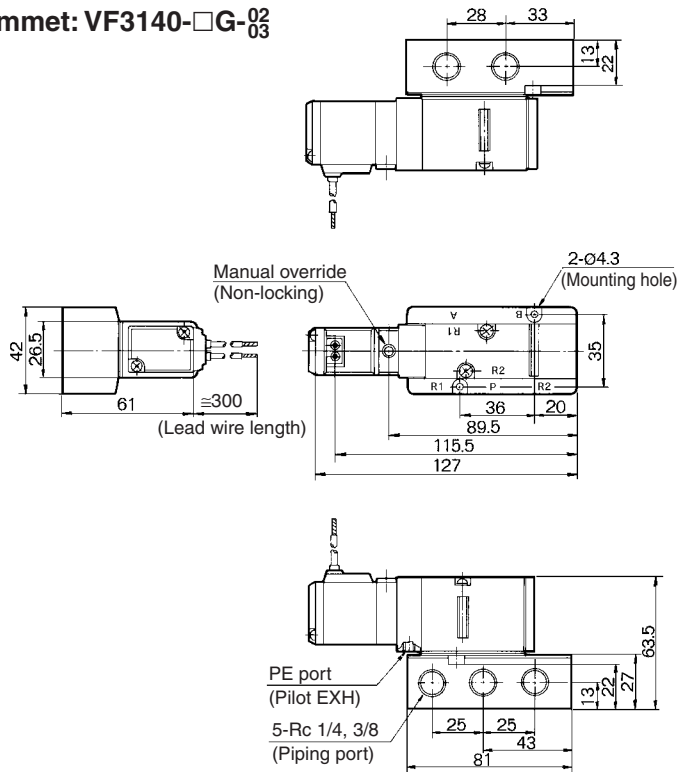




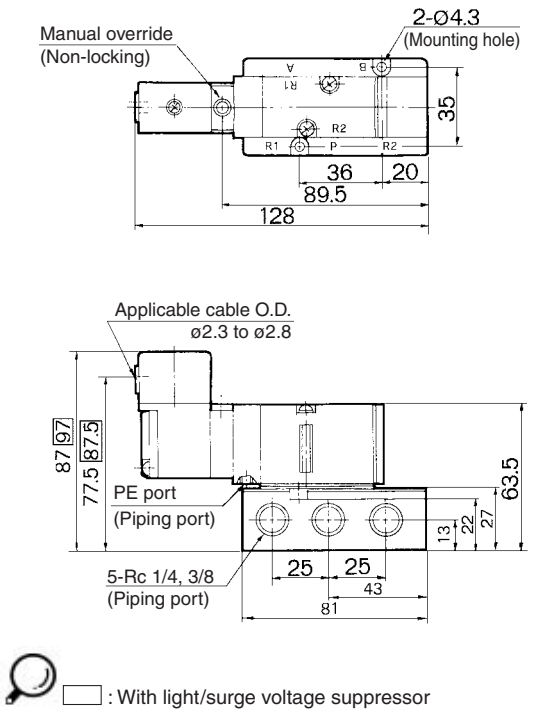
# 5 Port Pilot Operated Solenoid Valve Rubber Seal Series VF3000

## Base Mounted (With sub-plate): 2 Position Single Solenoid

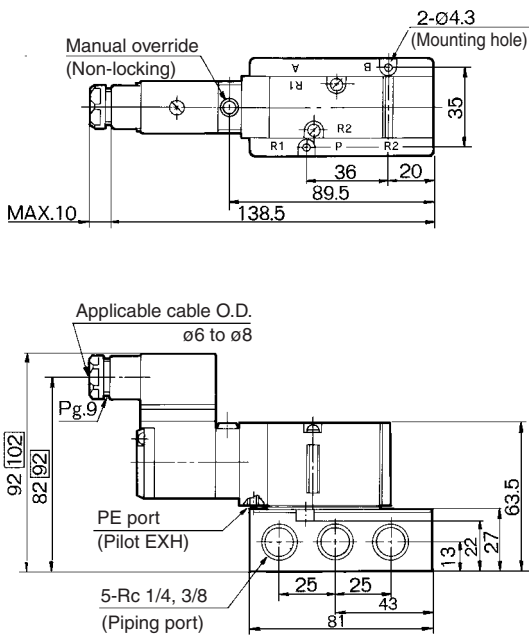
**Grommet: VF3140-□G-02/03**



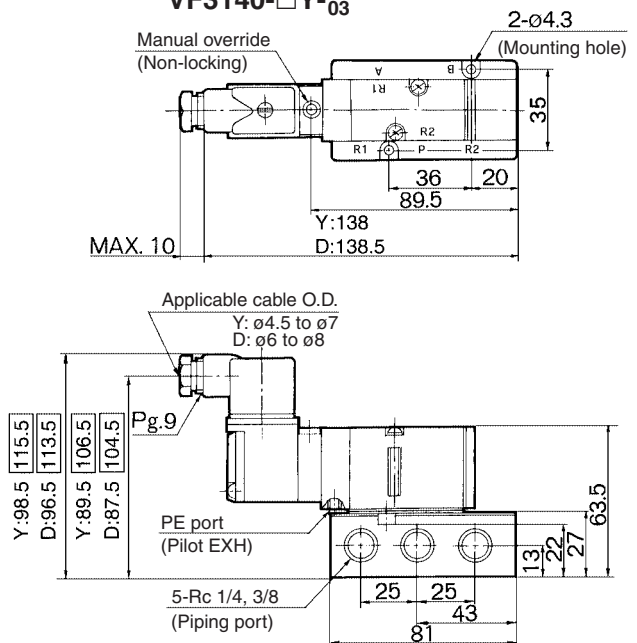
**Grommet terminal: VF3140-□E-02/03**



**Conduit terminal: VF3140-□T-02/03**



**DIN terminal: VF3140-□D-02/03  
VF3140-□Y-02/03**

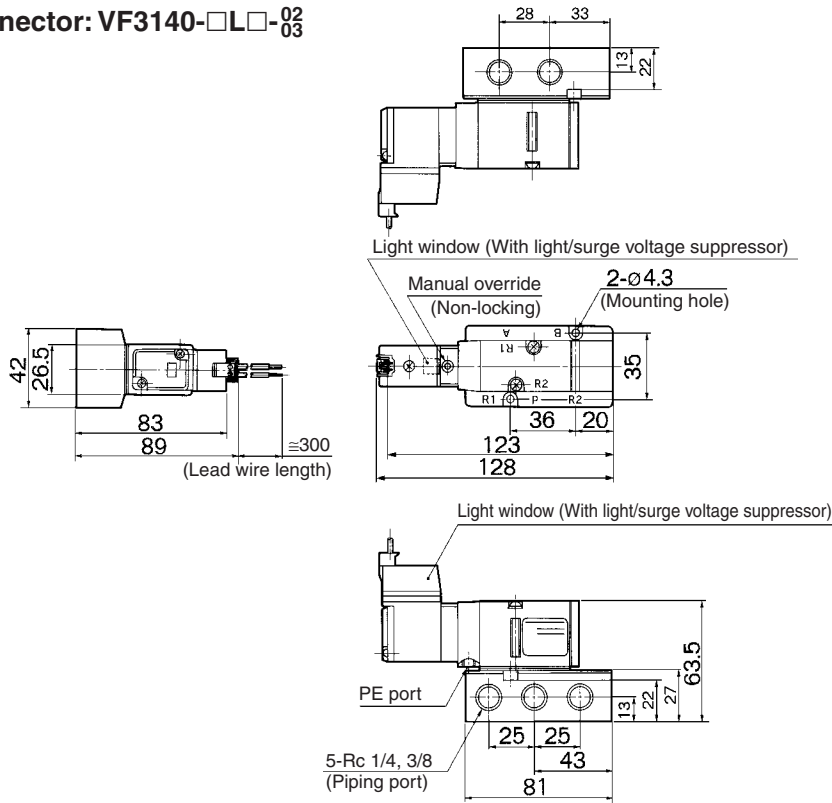


- VK
- VZ
- VF**
- VFR
- VP4
- VZS
- VFS
- VS4
- VQ7
- EVS
- VFN

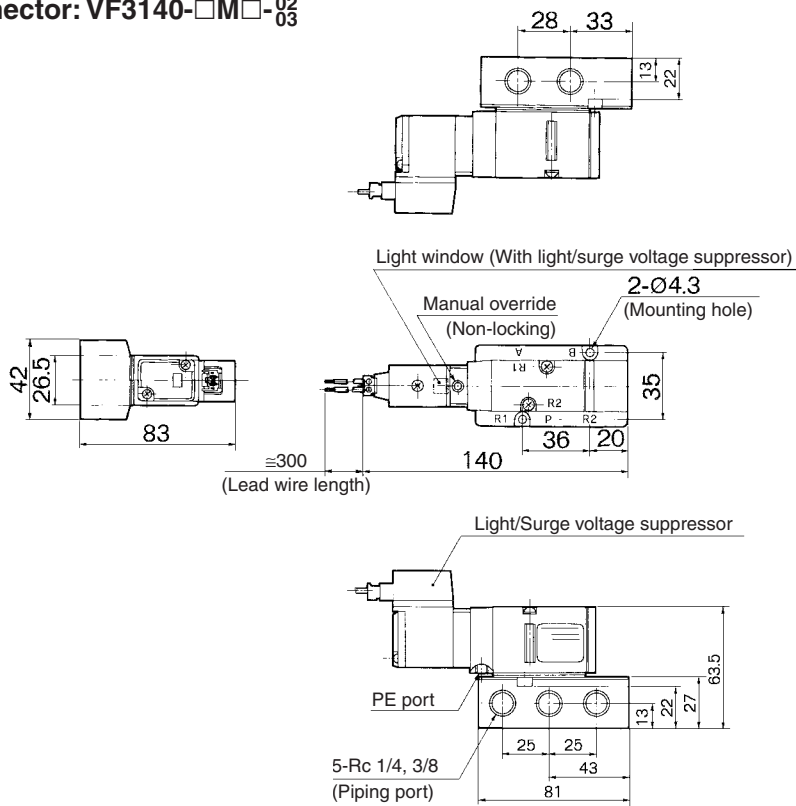
# Series VF3000

## Base Mounted (With sub-plate): 2 Position Single Solenoid

L plug connector: VF3140-□L□- $\frac{02}{03}$



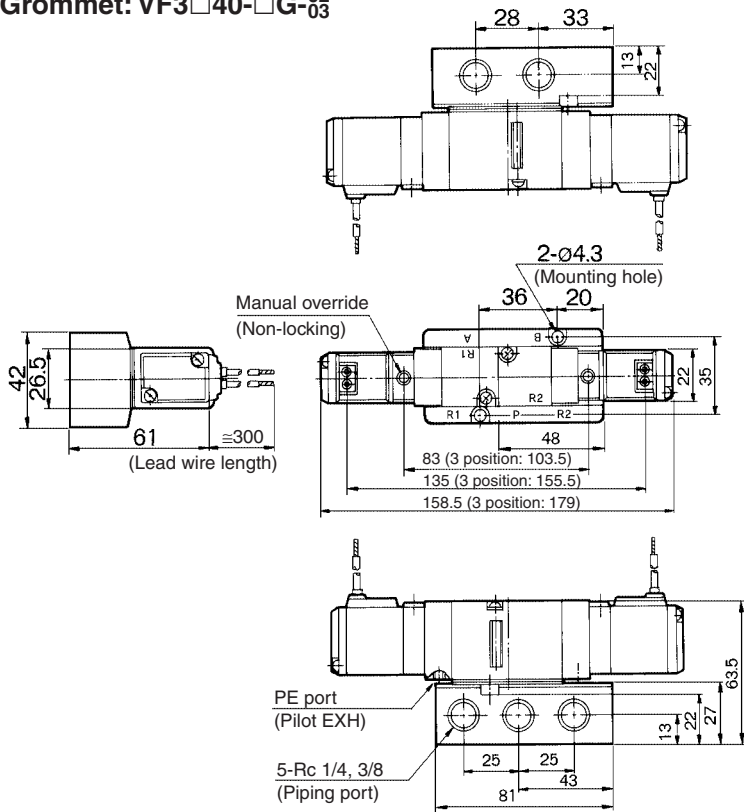
M plug connector: VF3140-□M□- $\frac{02}{03}$



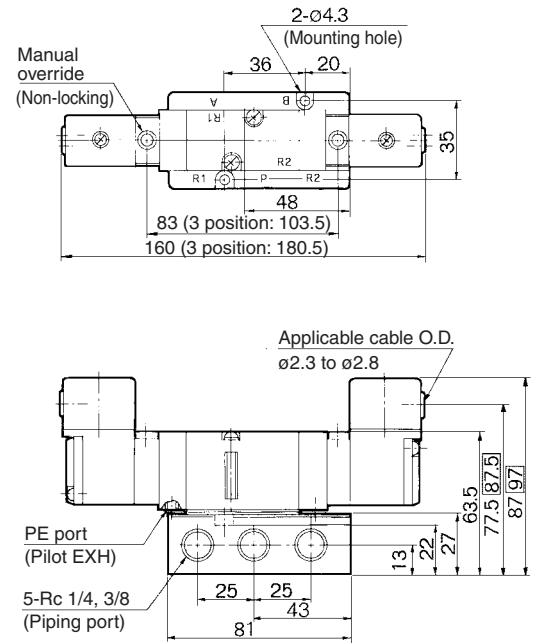
# 5 Port Pilot Operated Solenoid Valve Rubber Seal Series VF3000

Base Mounted (With sub-plate): 2 Position Double Solenoid, 3 Position Closed Center/Exhaust Center/Pressure Center

Grommet: VF3□40-□G-02



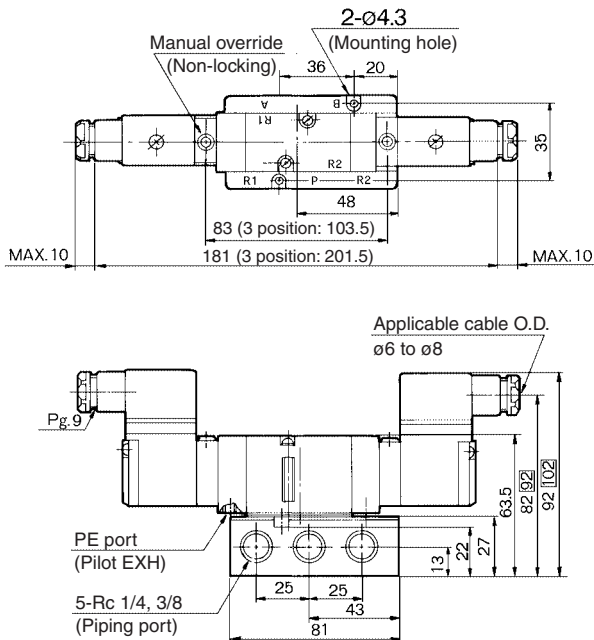
Grommet terminal: VF3□40-□E-02



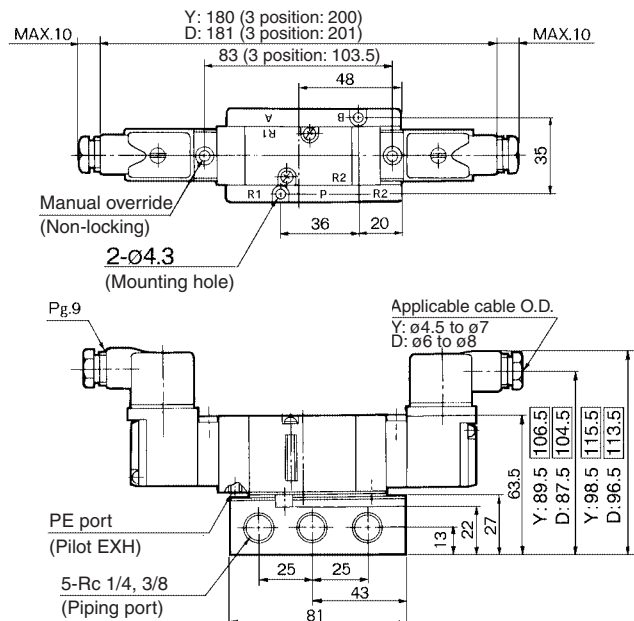
□ : With light/surge voltage suppressor

- VK
- VZ
- VF**
- VFR
- VP4
- VZS
- VFS
- VS4
- VQ7
- EVS
- VFN

Conduit terminal: VF3□40-□T-02



DIN terminal: VF3□40-□D-02  
VF3□40-□Y-02

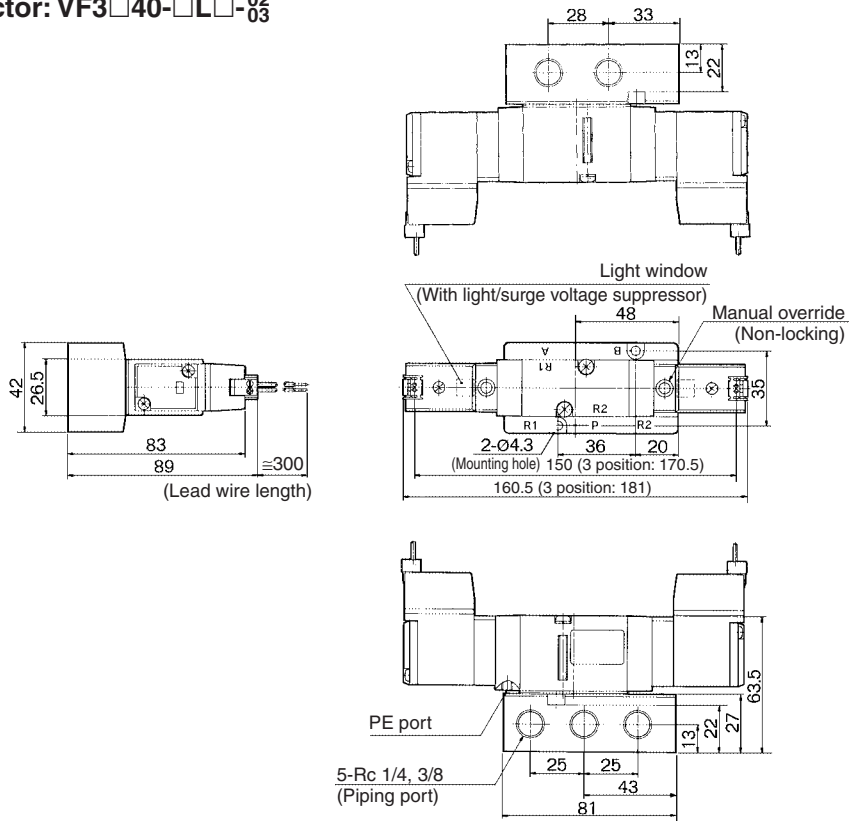


□ : With light/surge voltage suppressor

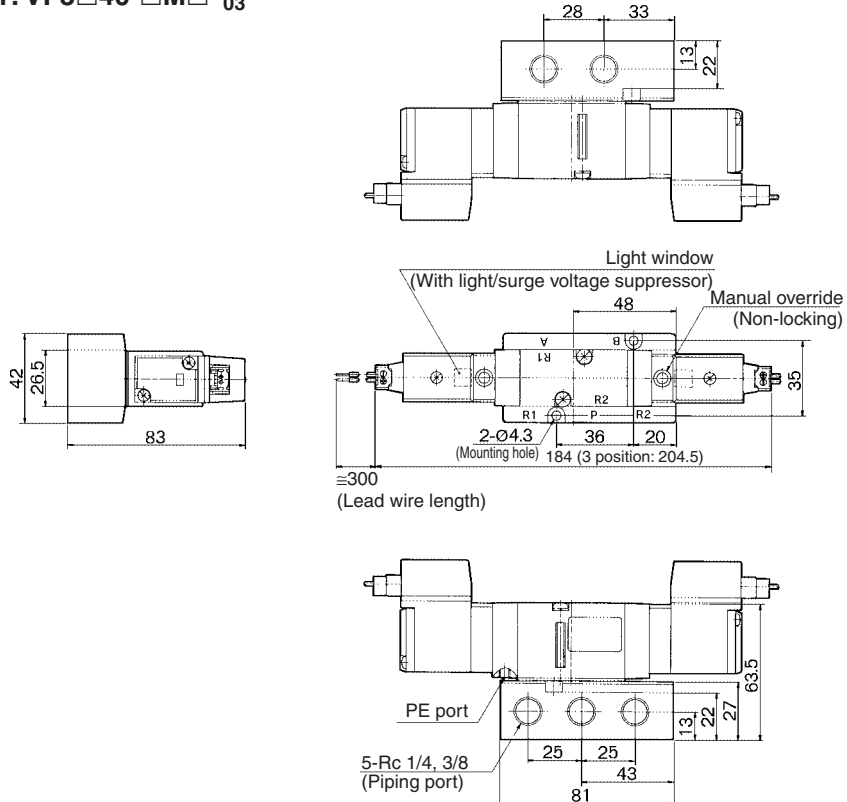
# Series VF3000

Base Mounted (With sub-plate): 2 Position Double Solenoid, 3 Position Closed Center/Exhaust Center/Pressure Center

L plug connector: VF3□40-□L□- $\frac{02}{03}$

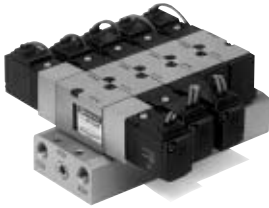


M plug connector: VF3□40-□M□- $\frac{02}{03}$



# Series VF3000

# Manifold Specifications



VV5F3-40



VV5F3-30



VV5F3-71



VV5F3-60

## Manifold Specifications

Manifold type	B mount (Single base type)		S mount	
Exhaust port type	Common	Individual	Common	Individual
Max. number of stations <small>Note)</small>	20 stations		10 stations	

Note) In the case of more than 8 stations for B mount or more than 4 stations for S mount, supply air from both sides of P (SUP) port and exhaust from both sides of R (EXH) port.

Style	Manifold base model	R (EXH) type <sup>(1)</sup>	Piping/Port location			Port size			Applicable valve model <sup>(2)</sup>
			P (SUP)	R (EXH)	A, B (CYL)	P (SUP)	R (EXH)	A, B (CYL)	
B mount	VV5F3-30	Common	Side Base	Side Base	Top Valve	1/4	1/4	1/8 1/4	VF3□30 VF3□33
	VV5F3-40	Common	Side Base	Side Base	Bottom Base	1/4	1/4	1/4	VF3□40 VF3□43
	VV5F3-50	Individual	Side Base	Top Valve	Bottom Base	1/4	1/4	1/4	VF3□50
S mount	VV5F3-60	Common	Side Side plate	Top Side plate	Top Valve	1/4	1/4	1/8 1/4	VF3□60 VF3□63
	VV5F3-61	Common	Side Side plate	Side Side plate	Side Valve	1/4	1/4	1/8 1/4	VF3160 VF3163 (Single solenoid only)
	VV5F3-70	Individual	Side Side plate	Bottom Valve	Top Valve	1/4	1/4	1/8 1/4	VF3□70
	VV5F3-71	Individual	Side Side plate	Side Valve	Side Valve	1/4	1/4	1/8 1/4	VF3170 (Single solenoid only)

Note 1) Supply (P port) is common.

Note 2) Common exhaust type for main and pilot valve is possible only in the valves of common exhaust.

## Option

Description	Part no.	Applicable manifold model
Individual EXH spacer assembly <small>Note)</small>	DXT155-17-1A	VV5F3-30/40
Blanking plate assembly	DXT031-38-1A	VV5F3-30/40/50

Note) Used to exhaust air individually from certain valves mounted on common exhaust manifolds "Type 30" and "Type 40".

## How to Order Manifold

Instruct by specifying the valves and blanking plate assembly to be mounted on the manifold along with the manifold base model no.

(Example) VV5F3-40-052-02.....1 pc. (Manifold base)

\*VF3140-1G.....2 pcs. (Valve)

\*VF3240-1G.....2 pcs. (Valve)

\*DXT031-38-1A.....1 pc. (Blanking plate assembly)

↳\*The asterisk denotes the symbol for assembly. Prefix it to the part nos. of the solenoid valve, etc.

## B Mount (Integrated type)

### Top ported/Common EXH type

Type 30

Diagram labels: A, B port; R port 1/4; P port 1/4.

Manifold model: **VV5F3-30-051**

Stations	
02	2 stations
⋮	⋮
20	20 stations

### Applicable solenoid valve

VF3□30-□□□□-01

VF3□30-□□□□-02

VF3□33-□□□□-01

VF3□33-□□□□-02

### Applicable blanking plate assembly

DXT031-38-1A

### Applicable individual EXH spacer assembly

DXT155-17-1A

### Bottom ported/Common EXH type

Type 40

Diagram labels: R port 1/4; P port 1/4; A, B port 1/4.

Manifold model: **VV5F3-40-052-02**

Stations	
02	2 stations
⋮	⋮
20	20 stations

### Applicable solenoid valve

VF3□40-□□□□

VF3□43-□□□□

### Applicable blanking plate assembly

DXT031-38-1A

### Applicable individual EXH spacer assembly

DXT155-17-1A

VK

VZ

VF

VFR

VP4

VZS

VFS

VS4

VQ7

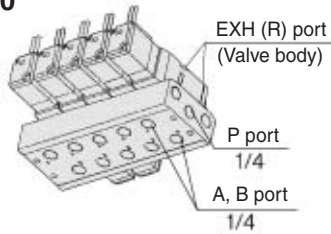
EVS

VFN

# Series VF3000

## B Mount (Integrated type)

### Bottom ported/Individual EXH type Type 50



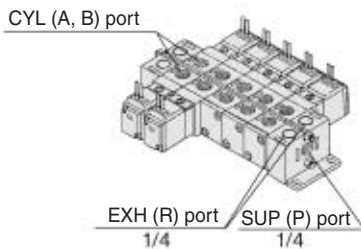
VV5F3 - 50 - 05 4 - 02

Stations	
02	2 stations
⋮	⋮
20	20 stations

**Applicable solenoid valve**  
VF3□50-□□□□  
**Applicable blanking plate assembly**  
DXT031-38-1A

## S Mount (Separated type)

### Top ported/Common EXH type Type 60

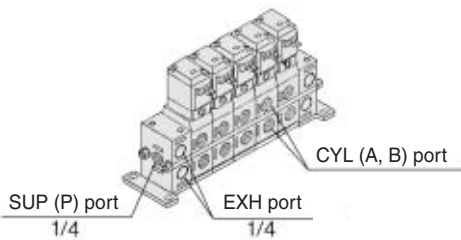


VV5F3 - 60 - 05 1

Stations	
02	2 stations
⋮	⋮
10	20 stations

**Applicable solenoid valve**  
VF3□60-□□□□-01□  
VF3□63-□□□□-01□

### Side ported/Common EXH type Type 61

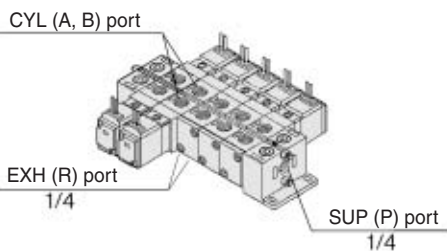


VV5F3 - 61 - 05 1

Stations	
02	2 stations
⋮	⋮
10	20 stations

**Applicable solenoid valve**  
VF3160-□□□□-01□  
VF3163-□□□□-01□

### Top ported/Individual EXH type Type 70

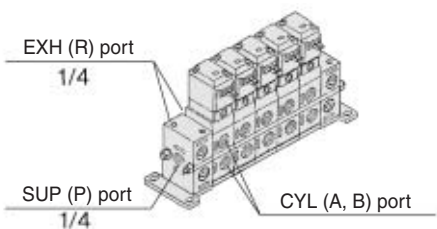


VV5F3 - 70 - 05 3

Stations	
02	2 stations
⋮	⋮
10	20 stations

**Applicable solenoid valve**  
VF3□70-□□□□-01□

### Side ported/Individual EXH type Type 71



VV5F3 - 71 - 05 3

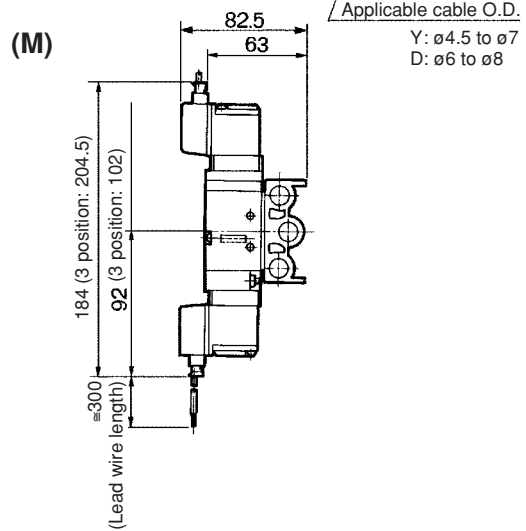
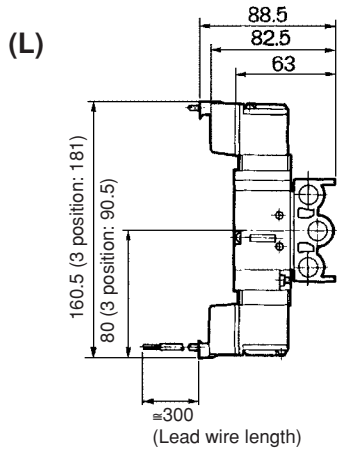
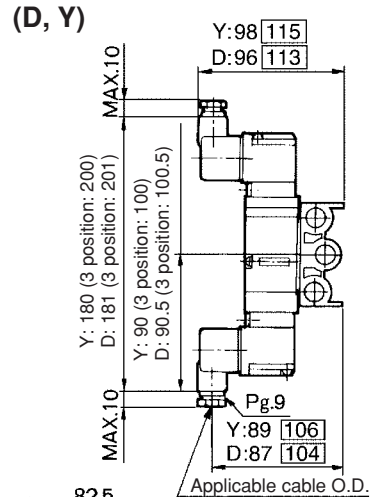
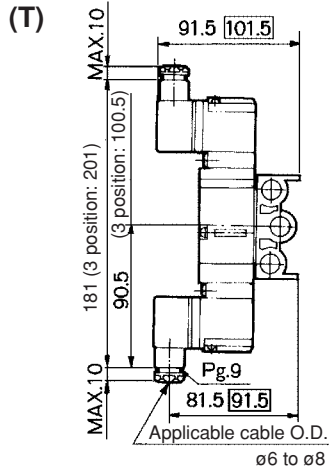
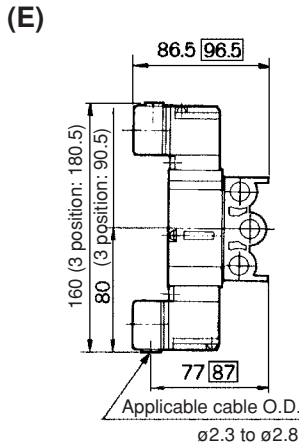
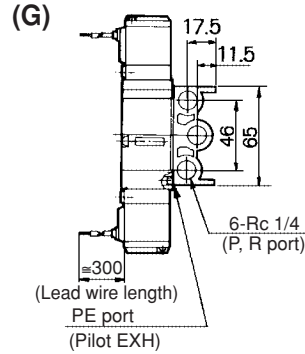
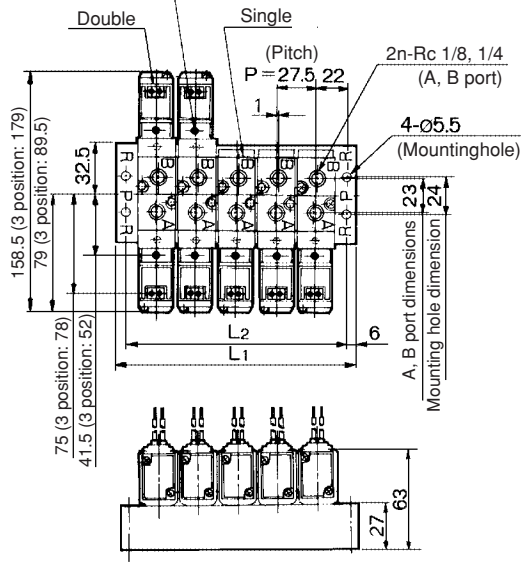
Stations	
02	2 stations
⋮	⋮
10	20 stations

**Applicable solenoid valve**  
VF3170-□□□□-01□

# 5 Port Pilot Operated Solenoid Valve Rubber Seal Series VF3000

**B Mount: VV5F3-30**

**Common EXH: VV5F3-30□□1** Manual override (Non-locking)



**L Dimension**

n: Stations

L \ n	2	3	4	5	6	7	8	9	10	11	12	13	14	15	16	17	18	19	20
L <sub>1</sub>	83.5	111	138.5	166	193.5	221	248.5	276	303.5	331	358.5	386	413.5	441	468.5	496	523.5	551	578.5
L <sub>2</sub>	71.5	99	126.5	154	181.5	209	236.5	264	291.5	319	346.5	374	401.5	429	456.5	484	511.5	539	566.5



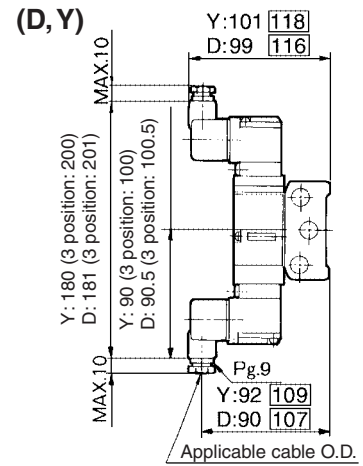
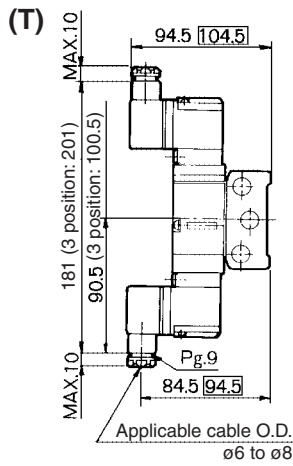
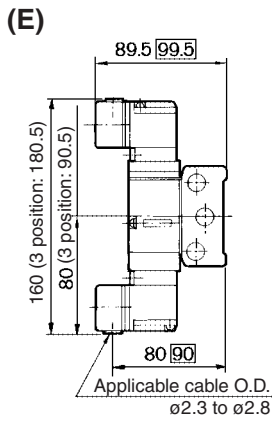
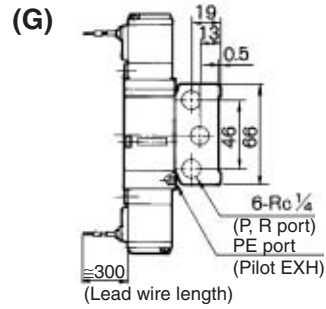
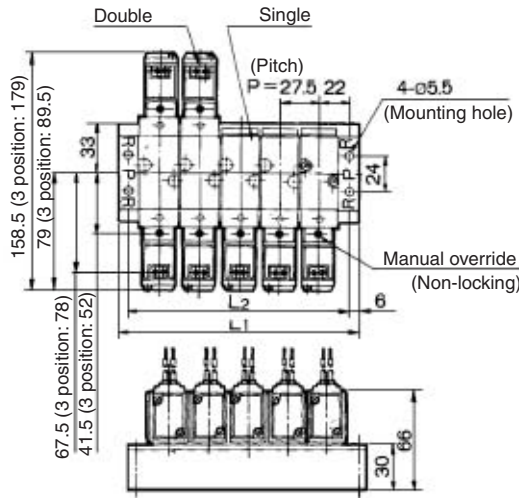
□ : With light/surge voltage suppressor

- VK
- VZ
- VF**
- VFR
- VP4
- VZS
- VFS
- VS4
- VQ7
- EVS
- VFN

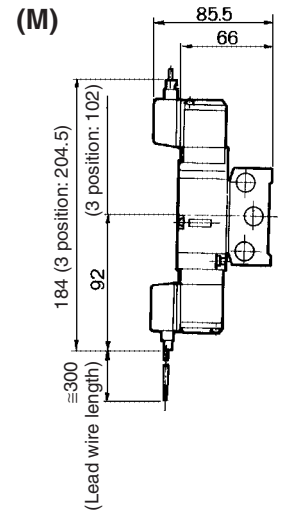
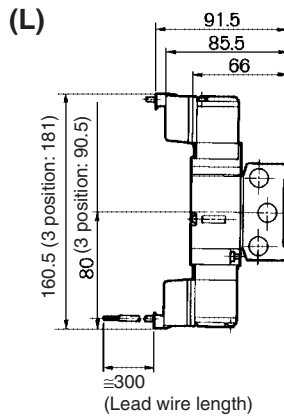
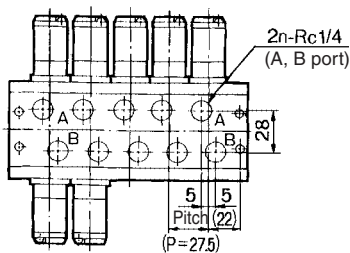
# Series VF3000

B Mount: VV5F3-30, VV5F3-40

Common EXH: VV5F3-40□□2-02



Bottom ported



## L Dimension

n: Stations

n	2	3	4	5	6	7	8	9	10	11	12	13	14	15	16	17	18	19	20
L <sub>1</sub>	83.5	111	138.5	166	193.5	221	248.5	276	303.5	331	358.5	386	413.5	441	468.5	496	523.5	551	578.5
L <sub>2</sub>	71.5	99	126.5	154	181.5	209	236.5	264	291.5	319	346.5	374	401.5	429	456.5	484	511.5	539	566.5



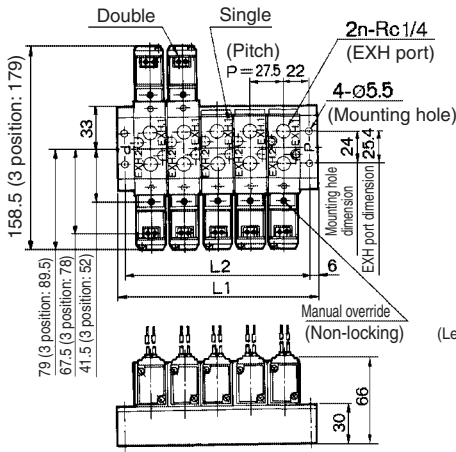
□ : With light/surge voltage suppressor



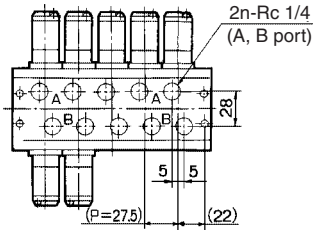
# 5 Port Pilot Operated Solenoid Valve Rubber Seal Series VF3000

## B Mount: VV5F3-50, Spacer for Individual Exhaust

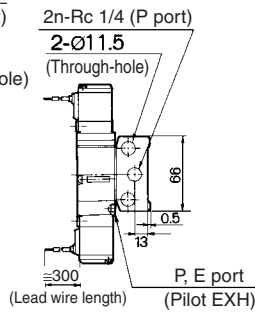
### Individual EXH: VV5F3-50-□□4-02



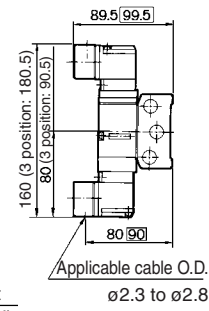
### Bottom ported



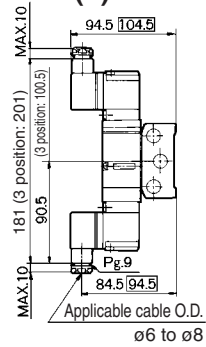
### (G)



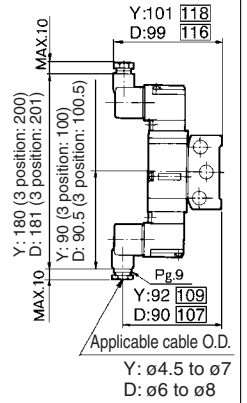
### (E)



### (T)



### (D, Y)



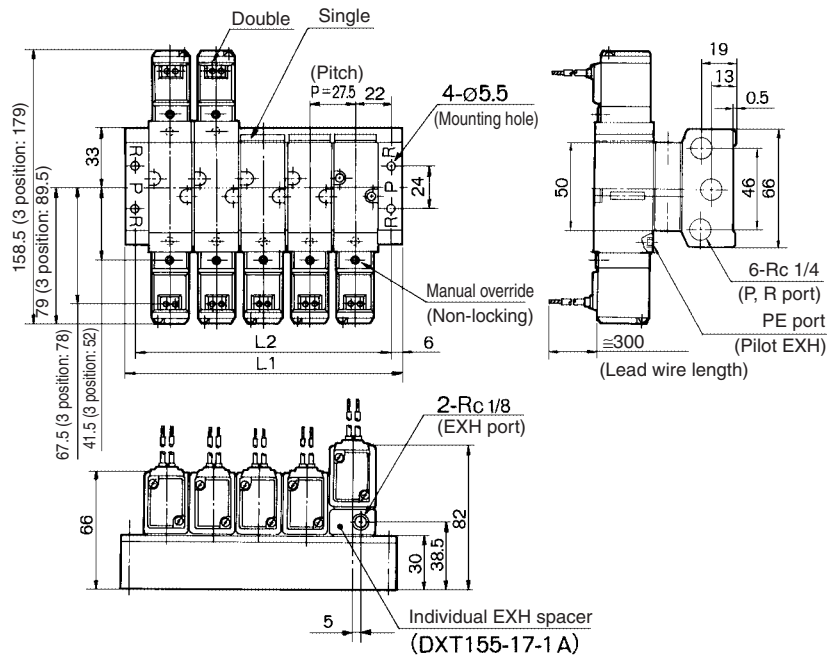
### L Dimension

L	n	n: Stations																			
		2	3	4	5	6	7	8	9	10	11	12	13	14	15	16	17	18	19	20	
L <sub>1</sub>		83.5	111	138.5	166	193.5	221	248.5	276	303.5	331	358.5	386	413.5	441	468.5	496	523.5	551	578.5	
L <sub>2</sub>		71.5	99	126.5	154	181.5	209	236.5	264	291.5	319	346.5	374	401.5	429	456.5	484	511.5	539	566.5	



□ : With light/surge voltage suppressor

## Spacer for individual EXH/Applicable model: VV5F3-30, VV5F3-40



### L Dimension

L	n	n: Stations																			
		2	3	4	5	6	7	8	9	10	11	12	13	14	15	16	17	18	19	20	
L <sub>1</sub>		83.5	111	138.5	166	193.5	221	248.5	276	303.5	331	358.5	386	413.5	441	468.5	496	523.5	551	578.5	
L <sub>2</sub>		71.5	99	126.5	154	181.5	209	236.5	264	291.5	319	346.5	374	401.5	429	456.5	484	511.5	539	566.5	

VK

VZ

VF

VFR

VP4

VZS

VFS

VS4

VQ7

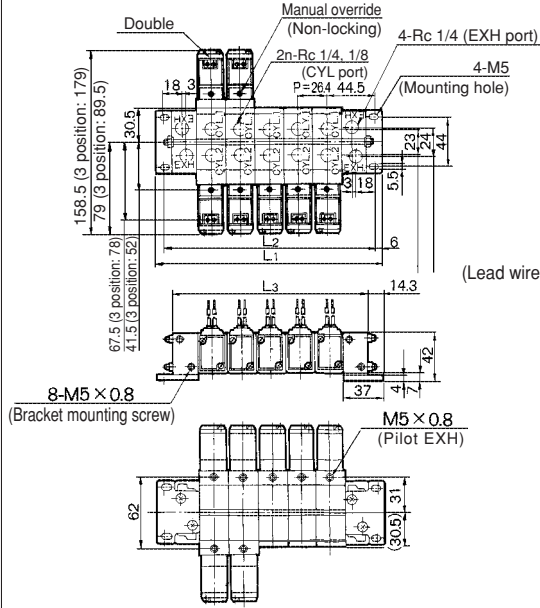
EVS

VFN

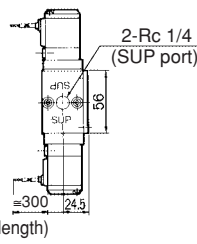
# Series VF3000

## S Mount: VV5F3-60, VV5F3-61

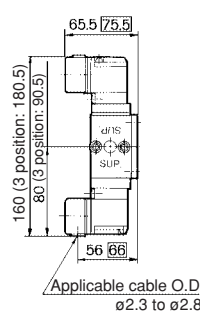
### Common EXH: VV5F3-60-□□1



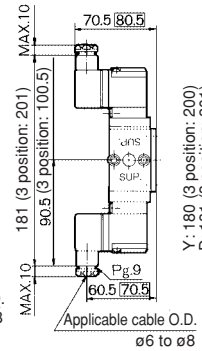
(G)



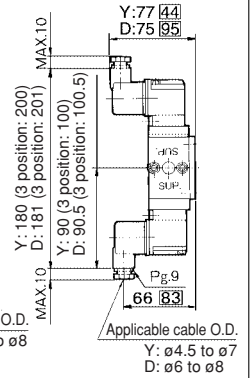
(E)



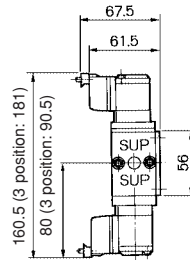
(T)



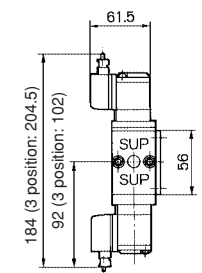
(D, Y)



(L)



(M)



### L Dimension

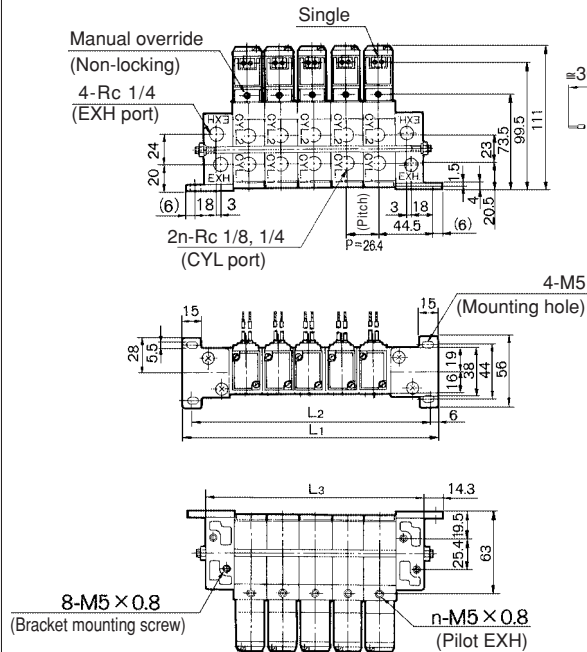
n: Stations

L	n	2	3	4	5	6	7	8	9	10
L <sub>1</sub>		127.5	154	180	206.5	233	259.5	286	312	338.5
L <sub>2</sub>		115.5	142	168	194.5	221	247.5	274	300	326.5
L <sub>3</sub>		99	125	151.5	178	204.5	231	257	283.5	310

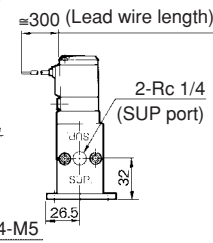


□ : With light/surge voltage suppressor

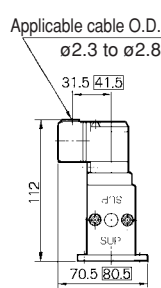
### Common EXH: VV5F3-61-□□1



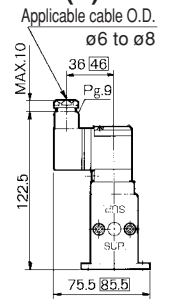
(G)



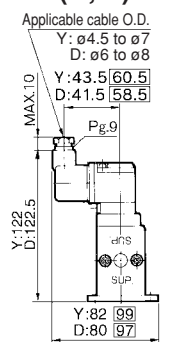
(E)



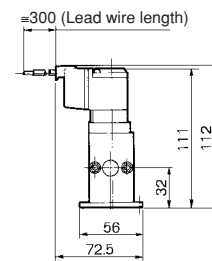
(T)



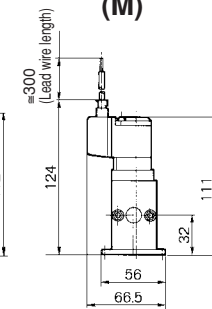
(D, Y)



(L)



(M)



### L Dimension

n: Stations

L	n	2	3	4	5	6	7	8	9	10
L <sub>1</sub>		127.5	154	180	206.5	233	259.5	286	312	338.5
L <sub>2</sub>		115.5	142	168	194.5	221	247.5	274	300	326.5
L <sub>3</sub>		99	125	151.5	178	204.5	231	257	283.5	310

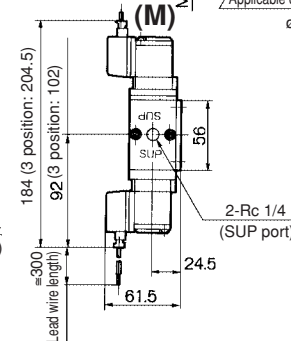
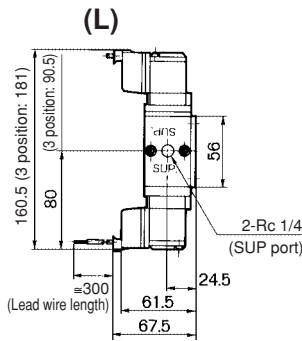
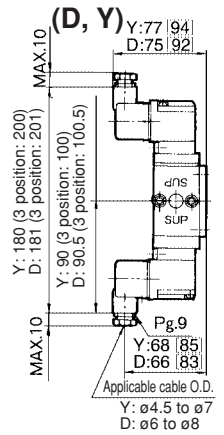
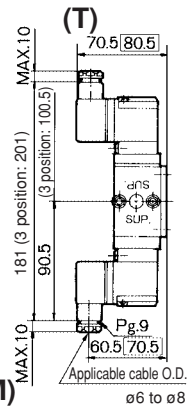
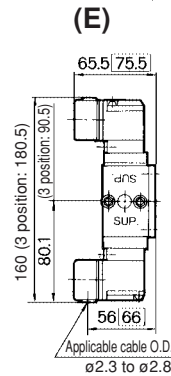
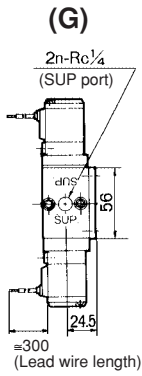
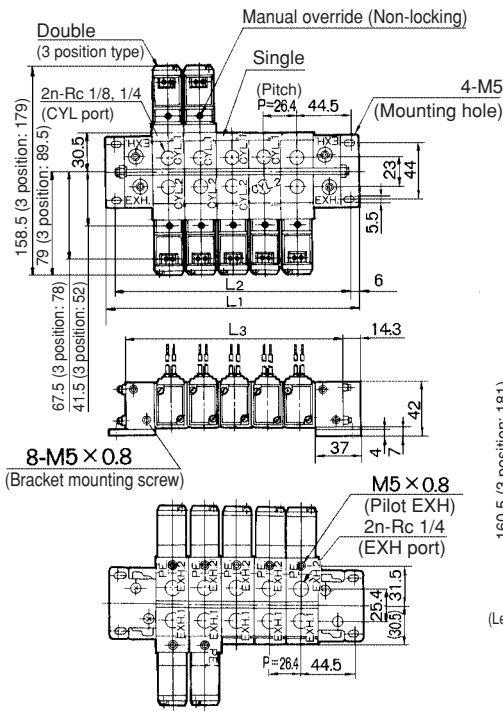


□ : With light/surge voltage suppressor

# 5 Port Pilot Operated Solenoid Valve Rubber Seal Series VF3000

## S Mount: VV5F3-70, VV5F3-71

### Individual EXH: VV5F3-70-□□3



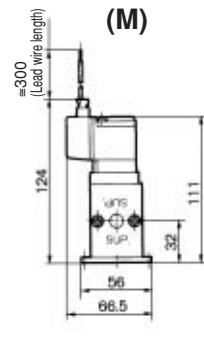
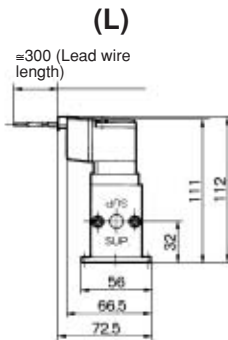
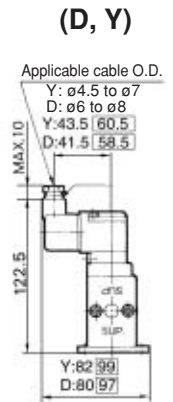
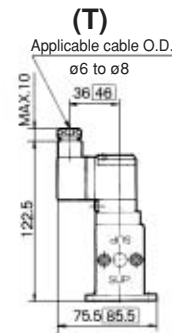
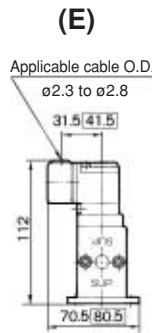
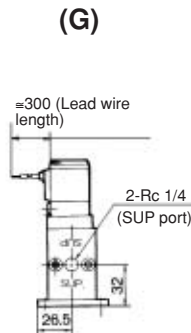
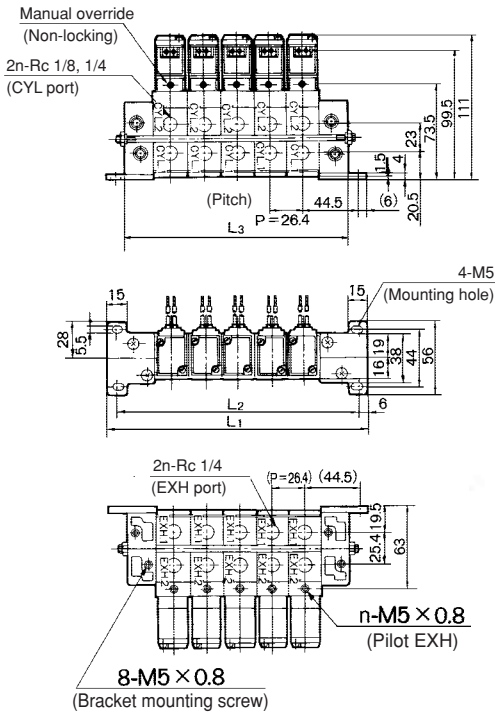
#### L Dimension

L	n	n: Stations									
		2	3	4	5	6	7	8	9	10	
L <sub>1</sub>		127.5	154	180	206.5	233	259.5	286	312	338.5	
L <sub>2</sub>		115.5	142	168	194.5	221	247.5	274	300	326.5	
L <sub>3</sub>		99	125	151.5	178	204.5	231	257	283.5	310	



□: With light/surge voltage suppressor

### Individual EXH: VV5F3-71-□□3



#### L Dimension

L	n	n: Stations									
		2	3	4	5	6	7	8	9	10	
L <sub>1</sub>		127.5	154	180	206.5	233	259.5	286	312	338.5	
L <sub>2</sub>		115.5	142	168	194.5	221	247.5	274	300	326.5	
L <sub>3</sub>		99	125	151.5	178	204.5	231	257	283.5	310	



□: With light/surge voltage suppressor

- VK
- VZ
- VF
- VFR
- VP4
- VZS
- VFS
- VS4
- VQ7
- EVS
- VFN