



VF5120K - **B** **DO** **E1-02N** - **X528**

**Rated Voltage**

AC	<b>3</b>	110 VAC (115 VAC)
	<b>4</b>	220 VAC (230 VAC)
	<b>B</b>	24 VAC

**Electrical Entry**

Symbol	Electrical Entry
<b>D</b>	Din Terminal w/ Connector
<b>DO</b>	Din Terminal w/o Connector
<b>T</b>	Conduit Terminal

\* Electrical Entry (T) only available with X548 option

**Options**

Symbol	Option
<b>X544</b>	W/ DIN Terminal
<b>X528</b>	W/ Din Terminal
<b>X548</b>	W/ Conduit Terminal, 1/2 NPS Conduit fitting, 18" Lead Wire

\* X544 option is only available with 3 (110 VAC) Rated Voltage.

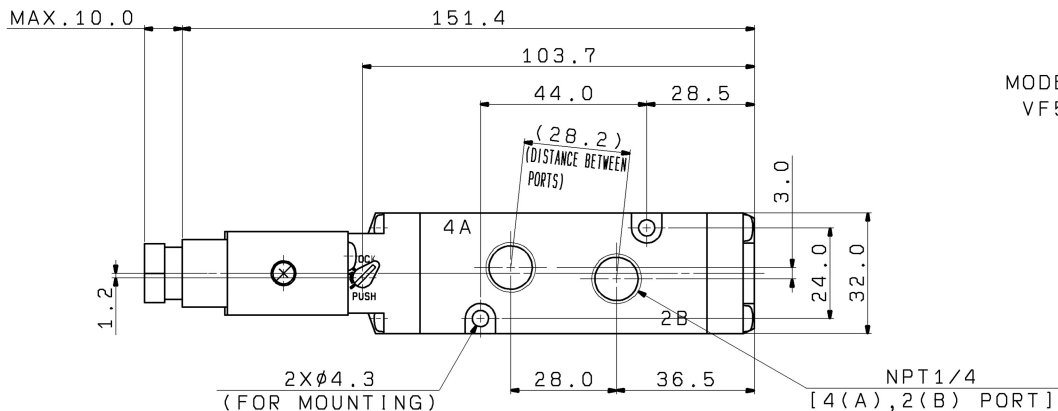
\* X528 option is only available with B (24 VAC) Rated Voltage

**Light/Surge Voltage Suppressor**

Symbol	Light/Surge Voltage Suppressor
<b>Nil</b>	Without Light/Surge voltage suppressor
<b>Z</b>	With Light/Surge voltage suppressor

\* Light/Surge voltage suppressor not available with DO electrical entry

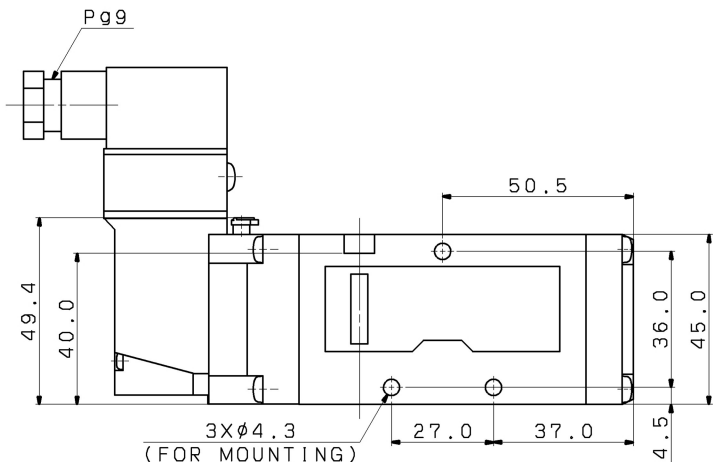
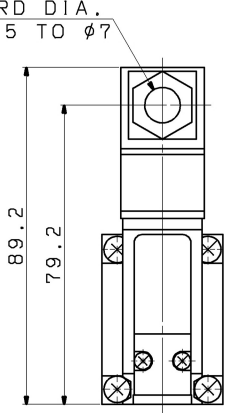
ON 9A0



MODEL No.  
VF5120K-\*T\*E1-02N-X543

INDICATOR LIGHT & SURGE SUPPRESSOR  
 NIL:W/O INDICATOR LIGHT & SURGE SUPPRESSOR  
 Z :W/INDICATOR LIGHT & SURGE SUPPRESSOR  
 RATED VOLTAGE  
 3 :110VAC 50/60HZ  
 4 :220VAC 50/60HZ  
 B :24VAC 50/60HZ

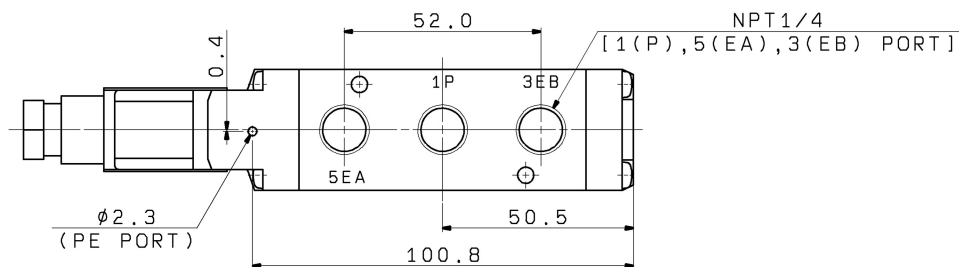
CORD DIA.  
φ4.5 TO φ7



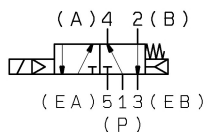
SPECIAL REQUIREMENT  
AT UN-ENERGIZING:1→4

NOTES

- FOR DETAILS OF THE PRODUCT SPECIFICATIONS, PLEASE REFER TO THE STANDARD CATALOG.
- THIS DRAWING SHOWS THE CASE OF "VF5120K-BTZE1-02N-X543".
- DIMENSIONS ARE IN MILLIMETERS.
- UNLESS OTHERWISE NOTED ALONG WITH A SEPARATE CONTRACT OR AGREEMENT WITHIN THE PRODUCT SPECIFICATIONS, THE SAFETY INSTRUCTIONS SPECIFIED IN THE PRODUCT CATALOG ARE APPLIED. PLEASE CONTACT YOUR LOCAL SMC SALES OFFICE FOR FURTHER DETAILS.
- CE MARKED PRODUCT.  
[THE RELEVANT TCF IS AVAILABLE AS]  
[STANDARD PRODUCT SERIES.]



SYMBOL



TOLERANCES JIS B 0405		GRADE	DRAWN	M. NIIMI	SCALE	REV NO	FINISH	
RANGE (mm)	T	m	DATE	2018-11-08	FREE		PAINT	
0.5<D63	0.05	0.1	DESIGNED	F. YOSHIDA	DWG NAME		PACKING	
3<D66	0.05	0.1	DATE	2018-11-08	5 PORT SOLENOID VALVE			
6<D69	0.1	0.2	CHECKED	T. TAMURA	DWG NO			
30<D6120	0.15	0.3	DATE	2018-11-09				
120<D6400	0.2	0.5	APPROVED	S. SUMIYOSHI				
400<D61000	0.3	0.8	DATE	2018-11-09	VF5120K-*T*E1-02N-X543			
1000<D62000	0.5	1.2						

FINISH:表面処理 / PAINT:塗装 / PACKING:包装区分  
 MATERIAL:材質 / MATERIAL SIZE:材料寸法

VF5000-PMW5009

DWG NAME PILOT VALVE:V200 SERIES

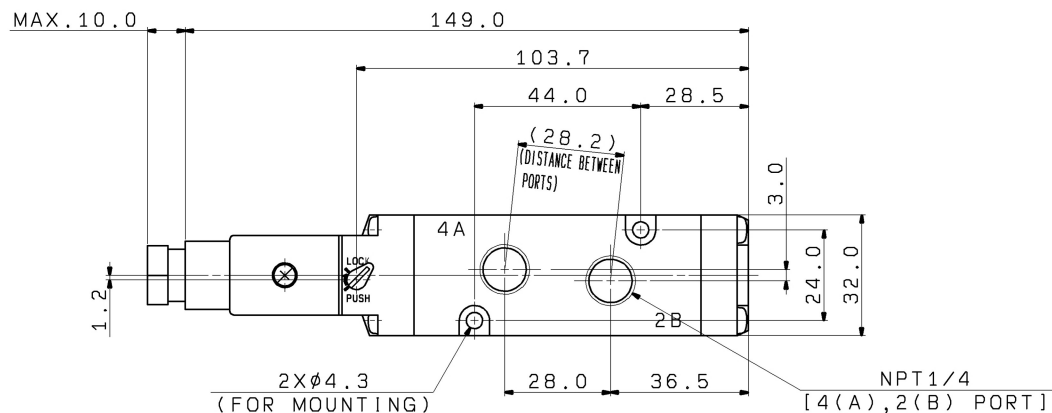
DWG REC

DWG ID|BA53567200

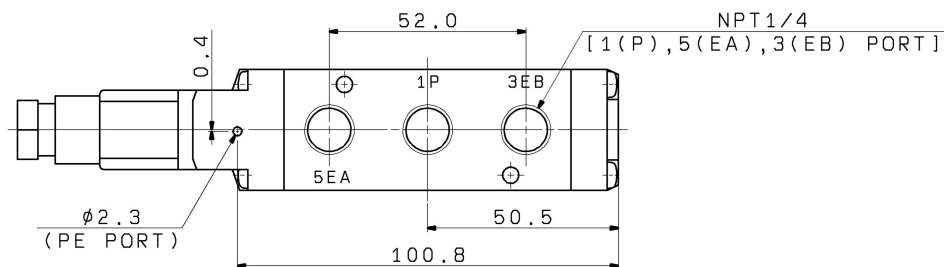
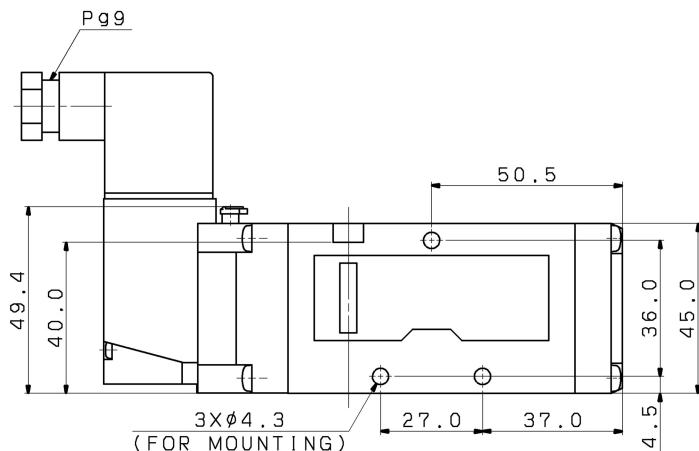
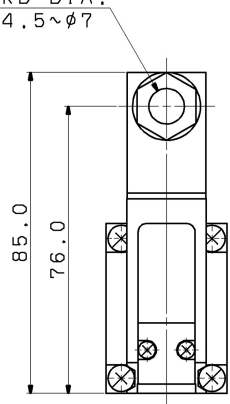
SMC Corporation

ST

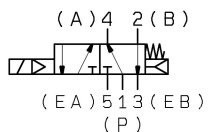
ON 9A0



CORD DIA.  
φ4.5~φ7



SYMBOL



RATED VOLTAGE: 110VAC 50/60HZ

SPECIAL REQUIREMENT  
AT UN-ENERGIZING: 1-4

NOTES

1. FOR DETAILS OF THE PRODUCT SPECIFICATIONS, PLEASE REFER TO THE STANDARD CATALOG.
2. DIMENSIONS ARE IN MILLIMETERS.
3. UNLESS OTHERWISE NOTED ALONG WITH A SEPARATE CONTRACT OR AGREEMENT WITHIN THE PRODUCT SPECIFICATIONS, THE SAFETY INSTRUCTIONS SPECIFIED IN THE PRODUCT CATALOG ARE APPLIED. PLEASE CONTACT YOUR LOCAL SMC SALES OFFICE FOR FURTHER DETAILS.
4. CE MARKED PRODUCT.  
[THE RELEVANT TCF IS AVAILABLE AS]  
[STANDARD PRODUCT SERIES.]

FINISH			
PAINT			
PACKING			
REV. QTY.	DESCRIPTION	DATE PREPARED	REV. NO.
	JIS B 0405	F. YOSHIDA	SCALE
	GRADE	2019-02-28	FREE
RANGE (mm)	Tolerance	DESIGNED	MATERIAL
0.5~0.63	0.05	M. USHIJIMA	SIZE
0.6~0.8	0.05	DATE	THIRD ANGLE
0.8~1.0	0.1	2019-02-28	
1.0~1.2	0.1	CHECKED	
1.2~1.6	0.15	DATE	DWG. NAME
1.6~2.0	0.2		5 PORT SOLENOID VALVE
2.0~3.0	0.3	APPROVED	DWG. NO.
3.0~4.0	0.4	T. TAMURA	(A) VF5120K-3DZE1-02N-X544
4.0~5.0	0.5	DATE	REVISION
5.0~6.3	0.6	2019-02-28	
6.3~8.0	0.8		
8.0~10.0	1.0		
10.0~12.5	1.2		
12.5~16.0	1.5		

FINISH: 表面処理 / PAINT: 塗装 / PACKING: 包装区分  
MATERIAL: 材質 / MATERIAL SIZE: 材料寸法

VF5000-PMW5013 DWG NAME PILOT VALVE: V200 SERIES DWG REC

DWG ID BA54242900 SMC Corporation ST